



(43) International Publication Date  
2 February 2017 (02.02.2017)

- (51) International Patent Classification:  
A61B 17/072 (2006.01) A61B 17/00 (2006.01)
- (21) International Application Number:  
PCT/US2016/042741
- (22) International Filing Date:  
18 July 2016 (18.07.2016)
- (25) Filing Language: English
- (26) Publication Language: English
- (30) Priority Data:  
14/811,154 28 July 2015 (28.07.2015) US
- (71) Applicant: ETHICON ENDO-SURGERY, LLC  
[US/US]; #475 Street C, Los Frailes Industrial Park,  
Guaynabo, Puerto Rico 00969 (US).
- (72) Inventors: SCHEIB, Charles J.; 4545 Creek Road, Cin-  
cinnati, Ohio 45242 (US). SWAYZE, Jeffrey S.; 4545  
Creek Road, Cincinnati, Ohio 45242 (US).
- (74) Agents: SHIRTZ, Joseph F. et al.; Johnson & Johnson,  
One Johnson & Johnson Plaza, New Brunswick, New Jer-  
sey 08933 (US).
- (81) Designated States (unless otherwise indicated, for every  
kind of national protection available): AE, AG, AL, AM,  
AO, AT, AU, AZ, BA, BB, BG, BH, BN, BR, BW, BY,  
BZ, CA, CH, CL, CN, CO, CR, CU, CZ, DE, DK, DM,

DO, DZ, EC, EE, EG, ES, FI, GB, GD, GE, GH, GM, GT,  
HN, HR, HU, ID, IL, IN, IR, IS, JP, KE, KG, KN, KP, KR,  
KZ, LA, LC, LK, LR, LS, LU, LY, MA, MD, ME, MG,  
MK, MN, MW, MX, MY, MZ, NA, NG, NI, NO, NZ, OM,  
PA, PE, PG, PH, PL, PT, QA, RO, RS, RU, RW, SA, SC,  
SD, SE, SG, SK, SL, SM, ST, SV, SY, TH, TJ, TM, TN,  
TR, TT, TZ, UA, UG, US, UZ, VC, VN, ZA, ZM, ZW.

(84) Designated States (unless otherwise indicated, for every  
kind of regional protection available): ARIPO (BW, GH,  
GM, KE, LR, LS, MW, MZ, NA, RW, SD, SL, ST, SZ,  
TZ, UG, ZM, ZW), Eurasian (AM, AZ, BY, KG, KZ, RU,  
TJ, TM), European (AL, AT, BE, BG, CH, CY, CZ, DE,  
DK, EE, ES, FI, FR, GB, GR, HR, HU, IE, IS, IT, LT, LU,  
LV, MC, MK, MT, NL, NO, PL, PT, RO, RS, SE, SI, SK,  
SM, TR), OAPI (BF, BJ, CF, CG, CI, CM, GA, GN, GQ,  
GW, KM, ML, MR, NE, SN, TD, TG).

**Declarations under Rule 4.17:**

- as to applicant's entitlement to apply for and be granted a patent (Rule 4.17(ii))
- as to the applicant's entitlement to claim the priority of the earlier application (Rule 4.17(iii))

**Published:**

- with international search report (Art. 21(3))

(54) Title: SURGICAL STAPLE CARTRIDGE WITH OUTER EDGE COMPRESSION FEATURES

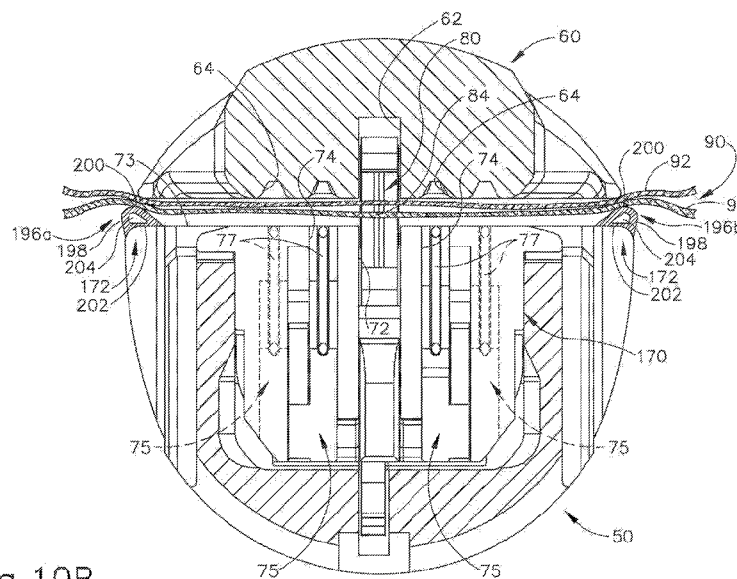


Fig. 10B

(57) Abstract: An apparatus includes a body, a shaft assembly, an end effector, and a staple cartridge. The shaft assembly extends distally from the body. The end effector includes an anvil and a lower jaw. The anvil is pivotable toward the lower jaw to capture tissue between the anvil and the lower jaw. The staple cartridge is coupled with the lower jaw. The staple cartridge includes a deck, a plurality of staples, and at least one compressible feature. The deck faces the anvil. The staples are positioned in a plurality of staple openings formed through the deck. The at least one compressible feature extends toward the anvil. The at least one compressible feature is positioned along an outer region of the deck. The at least one compressible feature is configured to compress tissue against the anvil.

WO 2017/019351 A1

- 1 -

## SURGICAL STAPLE CARTRIDGE WITH OUTER EDGE COMPRESSION FEATURES

## BACKGROUND

[0001] In some settings, endoscopic surgical instruments may be preferred over traditional open surgical devices since a smaller incision may reduce the post-operative recovery time and complications. Consequently, some endoscopic surgical instruments may be suitable for placement of a distal end effector at a desired surgical site through the cannula of a trocar. These distal end effectors may engage tissue in a number of ways to achieve a diagnostic or therapeutic effect (e.g., endocutter, grasper, cutter, stapler, clip applier, access device, drug/gene therapy delivery device, and energy delivery device using ultrasonic vibration, RF, laser, etc.). Endoscopic surgical instruments may include a shaft between the end effector and a handle portion, which is manipulated by the clinician. Such a shaft may enable insertion to a desired depth and rotation about the longitudinal axis of the shaft, thereby facilitating positioning of the end effector within the patient. Positioning of an end effector may be further facilitated through inclusion of one or more articulation joints or features, enabling the end effector to be selectively articulated or otherwise deflected relative to the longitudinal axis of the shaft.

[0002] Examples of endoscopic surgical instruments include surgical staplers. Some such staplers are operable to clamp down on layers of tissue, cut through the clamped layers of tissue, and drive staples through the layers of tissue to substantially seal the severed layers of tissue together near the severed ends of the tissue layers. Merely exemplary surgical staplers are disclosed in U.S. Pat. No. 4,805,823, entitled "Pocket Configuration for Internal Organ Staplers," issued February 21, 1989; U.S. Pat. No. 5,415,334, entitled "Surgical Stapler and Staple Cartridge," issued May 16, 1995; U.S. Pat. No. 5,465,895, entitled "Surgical Stapler Instrument," issued November 14, 1995; U.S. Pat. No. 5,597,107, entitled "Surgical Stapler Instrument," issued January 28, 1997;

- 2 -

U.S. Pat. No. 5,632,432, entitled "Surgical Instrument," issued May 27, 1997; U.S. Pat. No. 5,673,840, entitled "Surgical Instrument," issued October 7, 1997; U.S. Pat. No. 5,704,534, entitled "Articulation Assembly for Surgical Instruments," issued January 6, 1998; U.S. Pat. No. 5,814,055, entitled "Surgical Clamping Mechanism," issued September 29, 1998; U.S. Pat. No. 6,978,921, entitled "Surgical Stapling Instrument Incorporating an E-Beam Firing Mechanism," issued December 27, 2005; U.S. Pat. No. 7,000,818, entitled "Surgical Stapling Instrument Having Separate Distinct Closing and Firing Systems," issued February 21, 2006; U.S. Pat. No. 7,143,923, entitled "Surgical Stapling Instrument Having a Firing Lockout for an Unclosed Anvil," issued December 5, 2006; U.S. Pat. No. 7,303,108, entitled "Surgical Stapling Instrument Incorporating a Multi-Stroke Firing Mechanism with a Flexible Rack," issued December 4, 2007; U.S. Pat. No. 7,367,485, entitled "Surgical Stapling Instrument Incorporating a Multistroke Firing Mechanism Having a Rotary Transmission," issued May 6, 2008; U.S. Pat. No. 7,380,695, entitled "Surgical Stapling Instrument Having a Single Lockout Mechanism for Prevention of Firing," issued June 3, 2008; U.S. Pat. No. 7,380,696, entitled "Articulating Surgical Stapling Instrument Incorporating a Two-Piece E-Beam Firing Mechanism," issued June 3, 2008; U.S. Pat. No. 7,404,508, entitled "Surgical Stapling and Cutting Device," issued July 29, 2008; U.S. Pat. No. 7,434,715, entitled "Surgical Stapling Instrument Having Multistroke Firing with Opening Lockout," issued October 14, 2008; U.S. Pat. No. 7,721,930, entitled "Disposable Cartridge with Adhesive for Use with a Stapling Device," issued May 25, 2010; U.S. Pat. No. 8,408,439, entitled "Surgical Stapling Instrument with An Articulatable End Effector," issued April 2, 2013; and U.S. Pat. No. 8,453,914, entitled "Motor-Driven Surgical Cutting Instrument with Electric Actuator Directional Control Assembly," issued June 4, 2013. The disclosure of each of the above-cited U.S. Patents is incorporated by reference herein.

**[0003]** While the surgical staplers referred to above are described as being used in endoscopic procedures, it should be understood that such surgical staplers may also be used in open procedures and/or other non-endoscopic procedures. By way of example only, a surgical stapler may be inserted through a thoracotomy, and thereby between a

- 3 -

patient's ribs, to reach one or more organs in a thoracic surgical procedure that does not use a trocar as a conduit for the stapler. Such procedures may include the use of the stapler to sever and close a vessel leading to a lung. For instance, the vessels leading to an organ may be severed and closed by a stapler before removal of the organ from the thoracic cavity. Of course, surgical staplers may be used in various other settings and procedures.

**[0004]** Examples of surgical staplers that may be particularly suited or use through a thoracotomy are disclosed in U.S. Patent Pub. No. 2014/0243801, entitled "Surgical Instrument End Effector Articulation Drive with Pinion and Opposing Racks," published August 28, 2014; U.S. Patent Pub. No. 2014/0239041, entitled "Lockout Feature for Movable Cutting Member of Surgical Instrument," published August 28, 2014; U.S. Patent Pub. No. 2014/0239042, entitled "Integrated Tissue Positioning and Jaw Alignment Features for Surgical Stapler," published August 28, 2014; U.S. Patent Pub. No. 2014/0239036, entitled "Jaw Closure Feature for End Effector of Surgical Instrument," published August 28, 2014; U.S. Patent Pub. No. 2014/0239040, entitled "Surgical Instrument with Articulation Lock having a Detenting Binary Spring," published August 28, 2014; U.S. Patent Pub. No. 2014/0239043, entitled "Distal Tip Features for End Effector of Surgical Instrument," published August 28, 2014; U.S. Patent Pub. No. 2014/0239037, entitled "Staple Forming Features for Surgical Stapling Instrument," published August 28, 2014; U.S. Patent Pub. No. 2014/0239038, entitled "Surgical Instrument with Multi-Diameter Shaft," published August 28, 2014; and U.S. Patent Pub. No. 2014/0239044, entitled "Installation Features for Surgical Instrument End Effector Cartridge," published August 28, 2014. The disclosure of each of the above-cited U.S. Patent Applications is incorporated by reference herein.

**[0005]** While various kinds of surgical stapling instruments and associated components have been made and used, it is believed that no one prior to the inventor(s) has made or used the invention described in the appended claims.

BRIEF DESCRIPTION OF THE DRAWINGS

- 4 -

- [0006] The accompanying drawings, which are incorporated in and constitute a part of this specification, illustrate embodiments of the invention, and, together with the general description of the invention given above, and the detailed description of the embodiments given below, serve to explain the principles of the present invention.
- [0007] FIG. 1 depicts a perspective view of an exemplary articulating surgical stapling instrument;
- [0008] FIG. 2 depicts a side elevational view of the instrument of FIG. 1;
- [0009] FIG. 3 depicts a perspective view of an end effector of the instrument of FIG. 1, with the end effector in a closed configuration;
- [00010] FIG. 4 depicts a perspective view of the end effector of FIG. 3, with the end effector in an open configuration;
- [00011] FIG. 5 depicts an exploded perspective view of the end effector of FIG. 3;
- [00012] FIG. 6 depicts a cross-sectional end view of the end effector of FIG. 3, taken along line 6-6 of FIG. 4;
- [00013] FIG. 7A depicts a cross-sectional side view of the end effector of FIG. 3, taken along line 7-7 of FIG. 4, with a firing beam in a proximal position;
- [00014] FIG. 7B depicts a cross-sectional side view of the end effector of FIG. 3, taken along line 7-7 of FIG. 4, with the firing beam in a distal position;
- [00015] FIG. 8 depicts a perspective view of the end effector of FIG. 3, positioned at tissue and having been actuated once in the tissue;
- [00016] FIG. 9A depicts a perspective view of an exemplary alternative end effector that may be incorporated into the instrument of FIG. 1, with a firing beam in a proximal position;

- 5 -

- [00017] FIG. 9B depicts a perspective view of the end effector of FIG. 9A, with the firing beam in a distal position;
- [00018] FIG. 10A depicts a cross-sectional view of the end effector of FIG. 9A, taken along line 10A-10A of FIG. 9A, with the firing beam in the proximal position;
- [00019] FIG. 10B depicts a cross-sectional view of the end effector of FIG. 9A, taken along line 10A-10A of FIG. 9A, with the firing beam in the proximal position and tissue positioned between an anvil and staple cartridge deck of the end effector; and
- [00020] FIG. 10C depicts a cross-sectional view of the end effector of FIG. 9A, taken along line 10C-10C of FIG. 9B, with the firing beam in a distal position and tissue positioned between the anvil and staple cartridge deck of the end effector.
- [00021] The drawings are not intended to be limiting in any way, and it is contemplated that various embodiments of the invention may be carried out in a variety of other ways, including those not necessarily depicted in the drawings. The accompanying drawings incorporated in and forming a part of the specification illustrate several aspects of the present invention, and together with the description serve to explain the principles of the invention; it being understood, however, that this invention is not limited to the precise arrangements shown.

#### DETAILED DESCRIPTION

- [00022] The following description of certain examples of the invention should not be used to limit the scope of the present invention. Other examples, features, aspects, embodiments, and advantages of the invention will become apparent to those skilled in the art from the following description, which is by way of illustration, one of the best modes contemplated for carrying out the invention. As will be realized, the invention is capable of other different and obvious aspects, all without departing from the invention. Accordingly, the drawings and descriptions should be regarded as illustrative in nature and not restrictive.

- 6 -

**[00023]** I. Exemplary Surgical Stapler

**[00024]** FIG. 1 depicts an exemplary surgical stapling and severing instrument (10) that includes a handle assembly (20), a shaft assembly (30), and an end effector (40). End effector (40) and the distal portion of shaft assembly (30) are sized for insertion, in a nonarticulated state as depicted in FIG. 1, through a trocar cannula to a surgical site in a patient for performing a surgical procedure. By way of example only, such a trocar may be inserted in a patient's abdomen, between two of the patient's ribs, or elsewhere. In some settings, instrument (10) is used without a trocar. For instance, end effector (40) and the distal portion of shaft assembly (30) may be inserted directly through a thoracotomy or other type of incision. It should be understood that terms such as "proximal" and "distal" are used herein with reference to a clinician gripping handle assembly (20) of instrument (10). Thus, end effector (40) is distal with respect to the more proximal handle assembly (20). It will be further appreciated that for convenience and clarity, spatial terms such as "vertical" and "horizontal" are used herein with respect to the drawings. However, surgical instruments are used in many orientations and positions, and these terms are not intended to be limiting and absolute.

**[00025]** A. Exemplary Handle Assembly and Shaft Assembly

**[00026]** As shown in FIGS. 1-2, handle assembly (20) of the present example comprises pistol grip (22), a closure trigger (24), and a firing trigger (26). Each trigger (24, 26) is selectively pivotable toward and away from pistol grip (22) as will be described in greater detail below. Handle assembly (20) further includes an anvil release button (25), a firing beam reverse switch (27), and a removable battery pack (28). These components will also be described in greater detail below. Of course, handle assembly (20) may have a variety of other components, features, and operabilities, in addition to or in lieu of any of those noted above. Other suitable configurations for handle assembly (20) will be apparent to those of ordinary skill in the art in view of the teachings herein.

**[00027]** As shown in FIGS. 1-3, shaft assembly (30) of the present example comprises an

- 7 -

outer closure tube (32), an articulation section (34), and a closure ring (36), which is further coupled with end effector (40). Closure tube (32) extends along the length of shaft assembly (30). Closure ring (36) is positioned distal to articulation section (34). Closure tube (32) and closure ring (36) are configured to translate longitudinally relative to handle assembly (20). Longitudinal translation of closure tube (32) is communicated to closure ring (36) via articulation section (34). Exemplary features that may be used to provide longitudinal translation of closure tube (32) and closure ring (36) will be described in greater detail below.

**[00028]** Articulation section (34) is operable to laterally deflect closure ring (36) and end effector (40) laterally away from the longitudinal axis (LA) of shaft assembly (30) at a desired angle ( $\alpha$ ). End effector (40) may thereby reach behind an organ or approach tissue from a desired angle or for other reasons. In some versions, articulation section (34) enables deflection of end effector (40) along a single plane. In some other versions, articulation section (34) enables deflection of end effector along more than one plane. In the present example, articulation is controlled through an articulation control knob (35) which is located at the proximal end of shaft assembly (30). Knob (35) is rotatable about an axis that is perpendicular to the longitudinal axis (LA) of shaft assembly (30). Closure ring (36) and end effector (40) pivot about an axis that is perpendicular to the longitudinal axis (LA) of shaft assembly (30) in response to rotation of knob (35). By way of example only, rotation of knob (35) clockwise may cause corresponding clockwise pivoting of closure ring (36) and end effector (40) at articulation section (34). Articulation section (34) is configured to communicate longitudinal translation of closure tube (32) to closure ring (36), regardless of whether articulation section (34) is in a straight configuration or an articulated configuration.

**[00029]** In some versions, articulation section (34) and/or articulation control knob (35) are/is constructed and operable in accordance with at least some of the teachings of U.S. Pub. No. 2014/0243801, entitled "Surgical Instrument End Effector Articulation Drive with Pinion and Opposing Racks," published August 28, 2014, the disclosure of which is



- 8 -

incorporated by reference herein. Articulation section (34) may also be constructed and operable in accordance with at least some of the teachings of U.S. Pat. App. No. 14/314,125, entitled "Articulation Drive Features for Surgical Stapler," filed June 25, 2014, the disclosure of which is incorporated by reference herein; and/or in accordance with the various teachings below. Other suitable forms that articulation section (34) and articulation knob (35) may take will be apparent to those of ordinary skill in the art in view of the teachings herein.

**[00030]** As shown in FIGS. 1-2, shaft assembly (30) of the present example further includes a rotation knob (31). Rotation knob (31) is operable to rotate the entire shaft assembly (30) and end effector (40) relative to handle assembly (20) about the longitudinal axis (LA) of shaft assembly (30). In some versions, rotation knob (31) is operable to selectively lock the angular position of shaft assembly (30) and end effector (40) relative to handle assembly (20) about the longitudinal axis (LA) of shaft assembly (30). For instance, rotation knob (31) may be translatable between a first longitudinal position, in which shaft assembly (30) and end effector (40) are rotatable relative to handle assembly (20) about the longitudinal axis (LA) of shaft assembly (30); and a second longitudinal position, in which shaft assembly (30) and end effector (40) are not rotatable relative to handle assembly (20) about the longitudinal axis (LA) of shaft assembly (30). Of course, shaft assembly (30) may have a variety of other components, features, and operabilities, in addition to or in lieu of any of those noted above. By way of example only, at least part of shaft assembly (30) is constructed in accordance with at least some of the teachings of U.S. Pub. No. 2014/0239038, entitled "Surgical Instrument with Multi-Diameter Shaft," published August 28, 2014, the disclosure of which is incorporated by reference herein. Other suitable configurations for shaft assembly (30) will be apparent to those of ordinary skill in the art in view of the teachings herein.

**[00031]** B. Exemplary End Effector

**[00032]** As also shown in FIGS. 1-3, end effector (40) of the present example includes a lower jaw (50) and a pivotable anvil (60). Anvil (60) includes a pair of integral,

- 9 -

outwardly extending pins (66) that are disposed in corresponding curved slots (54) of lower jaw (50). Pins (66) and slots (54) are shown in FIG. 5. Anvil (60) is pivotable toward and away from lower jaw (50) between an open position (shown in FIGS. 2 and 4) and a closed position (shown in FIGS. 1, 3, and 7A-7B). Use of the term “pivotable” (and similar terms with “pivot” as a base) should not be read as necessarily requiring pivotal movement about a fixed axis. For instance, in the present example, anvil (60) pivots about an axis that is defined by pins (66), which slide along curved slots (54) of lower jaw (50) as anvil (60) moves toward lower jaw (50). In such versions, the pivot axis translates along the path defined by slots (54) while anvil (60) simultaneously pivots about that axis. In addition or in the alternative, the pivot axis may slide along slots (54) first, with anvil (60) then pivoting about the pivot axis after the pivot axis has slid a certain distance along the slots (54). It should be understood that such sliding/translating pivotal movement is encompassed within terms such as “pivot,” “pivots,” “pivotal,” “pivotable,” “pivoting,” and the like. Of course, some versions may provide pivotal movement of anvil (60) about an axis that remains fixed and does not translate within a slot or channel, etc.

**[00033]** As best seen in FIG. 5, lower jaw (50) of the present example defines a channel (52) that is configured to receive a staple cartridge (70). Staple cartridge (70) may be inserted into channel (52), end effector (40) may be actuated, and then staple cartridge (70) may be removed and replaced with another staple cartridge (70). Lower jaw (50) thus releasably retains staple cartridge (70) in alignment with anvil (60) for actuation of end effector (40). In some versions, lower jaw (50) is constructed in accordance with at least some of the teachings of U.S. Pub. No. 2014/0239044, entitled “Installation Features for Surgical Instrument End Effector Cartridge,” published August 28, 2014, the disclosure of which is incorporated by reference herein. Other suitable forms that lower jaw (50) may take will be apparent to those of ordinary skill in the art in view of the teachings herein.

**[00034]** As best seen in FIGS. 4-6, staple cartridge (70) of the present example comprises

- 10 -

a cartridge body (71) and a tray (76) secured to the underside of cartridge body (71). The upper side of cartridge body (71) presents a deck (73), against which tissue may be compressed when anvil (60) is in a closed position. Cartridge body (71) further defines a longitudinally extending channel (72) and a plurality of staple pockets (74). A staple (77) is positioned in each staple pocket (74). A staple driver (75) is also positioned in each staple pocket (74), underneath a corresponding staple (77), and above tray (76). As will be described in greater detail below, staple drivers (75) are operable to translate upwardly in staple pockets (74) to thereby drive staples (77) upwardly through staple pockets (74) and into engagement with anvil (60). Staple drivers (75) are driven upwardly by a wedge sled (78), which is captured between cartridge body (71) and tray (76), and which translates longitudinally through cartridge body (71). Wedge sled (78) includes a pair of obliquely angled cam surfaces (79), which are configured to engage staple drivers (75) and thereby drive staple drivers (75) upwardly as wedge sled (78) translates longitudinally through cartridge (70). For instance, when wedge sled (78) is in a proximal position as shown in FIG. 7A, staple drivers (75) are in downward positions and staples (77) are located in staple pockets (74). As wedge sled (78) is driven to the distal position shown in FIG. 7B by a translating knife member (80), wedge sled (78) drives staple drivers (75) upwardly, thereby driving staples (77) out of staple pockets (74) and into staple forming pockets (64). Thus, staple drivers (75) translate along a vertical dimension as wedge sled (78) translates along a horizontal dimension.

**[00035]** It should be understood that the configuration of staple cartridge (70) may be varied in numerous ways. For instance, staple cartridge (70) of the present example includes two longitudinally extending rows of staple pockets (74) on one side of channel (72); and another set of two longitudinally extending rows of staple pockets (74) on the other side of channel (72). However, in some other versions, staple cartridge (70) includes three, one, or some other number of staple pockets (74) on each side of channel (72). In some versions, staple cartridge (70) is constructed and operable in accordance with at least some of the teachings of U.S. Pub. No. 2014/0239042, entitled "Integrated Tissue Positioning and Jaw Alignment Features for Surgical Stapler," published August

- 11 -

28, 2014, the disclosure of which is incorporated by reference herein. In addition or in the alternative, staple cartridge (70) may be constructed and operable in accordance with at least some of the teachings of U.S. Pub. No. 2014/0239044, entitled "Installation Features for Surgical Instrument End Effector Cartridge," published August 28, 2014, the disclosure of which is incorporated by reference herein. Other suitable forms that staple cartridge (70) may take will be apparent to those of ordinary skill in the art in view of the teachings herein.

**[00036]** As best seen in FIG. 4, anvil (60) of the present example comprises a longitudinally extending channel (62) and a plurality of staple forming pockets (64). Channel (62) is configured to align with channel (72) of staple cartridge (70) when anvil (60) is in a closed position. Each staple forming pocket (64) is positioned to lie over a corresponding staple pocket (74) of staple cartridge (70) when anvil (60) is in a closed position. Staple forming pockets (64) are configured to deform the legs of staples (77) when staples (77) are driven through tissue and into anvil (60). In particular, staple forming pockets (64) are configured to bend the legs of staples (77) to secure the formed staples (77) in the tissue. Anvil (60) may be constructed in accordance with at least some of the teachings of U.S. Pub. No. 2014/0239042, entitled "Integrated Tissue Positioning and Jaw Alignment Features for Surgical Stapler," published August 28, 2014; at least some of the teachings of U.S. Pub. No. 2014/0239036, entitled "Jaw Closure Feature for End Effector of Surgical Instrument," published August 28, 2014; and/or at least some of the teachings of U.S. Pub. No. 2014/0239037, entitled "Staple Forming Features for Surgical Stapling Instrument," published August 28, 2014, the disclosure of which is incorporated by reference herein. Other suitable forms that anvil (60) may take will be apparent to those of ordinary skill in the art in view of the teachings herein.

**[00037]** In the present example, a knife member (80) is configured to translate through end effector (40). As best seen in FIGS. 5 and 7A-7B, knife member (80) is secured to the distal end of a firing beam (82), which extends through a portion of shaft assembly (30). As best seen in FIGS. 4 and 6, knife member (80) is positioned in channels (62, 72) of

- 12 -

anvil (60) and staple cartridge (70). Knife member (80) includes a distally presented cutting edge (84) that is configured to sever tissue that is compressed between anvil (60) and deck (73) of staple cartridge (70) as knife member (80) translates distally through end effector (40). As noted above and as shown in FIGS. 7A-7B, knife member (80) also drives wedge sled (78) distally as knife member (80) translates distally through end effector (40), thereby driving staples (77) through tissue and against anvil (60) into formation. Various features that may be used to drive knife member (80) distally through end effector (40) will be described in greater detail below.

**[00038]** In some versions, end effector (40) includes lockout features that are configured to prevent knife member (80) from advancing distally through end effector (40) when a staple cartridge (70) is not inserted in lower jaw (50). In addition or in the alternative, end effector (40) may include lockout features that are configured to prevent knife member (80) from advancing distally through end effector (40) when a staple cartridge (70) that has already been actuated once (e.g., with all staples (77) deployed therefrom) is inserted in lower jaw (50). By way of example only, such lockout features may be configured in accordance with at least some of the teachings of U.S. Pub. No. 2014/0239041, entitled "Lockout Feature for Movable Cutting Member of Surgical Instrument," published August 28, 2014, the disclosure of which is incorporated by reference herein; and/or at least some of the teachings of U.S. Pat. App. No. 14/314,108, entitled "Method of Using Lockout Features for Surgical Staple cartridge," filed on June 25, 2014, the disclosure of which is incorporated by reference herein. Other suitable forms that lockout features may take will be apparent to those of ordinary skill in the art in view of the teachings herein. Alternatively, end effector (40) may simply omit such lockout features.

**[00039]** C. Exemplary Actuation of Anvil

**[00040]** In the present example, anvil (60) is driven toward lower jaw (50) by advancing closure ring (36) distally relative to end effector (40). Closure ring (36) cooperates with anvil (60) through a camming action to drive anvil (60) toward lower jaw (50) in

- 13 -

response to distal translation of closure ring (36) relative to end effector (40). Similarly, closure ring (36) may cooperate with anvil (60) to open anvil (60) away from lower jaw (50) in response to proximal translation of closure ring (36) relative to end effector (40). By way of example only, closure ring (36) and anvil (60) may interact in accordance with at least some of the teachings of U.S. Pub. No. 2014/0239036, entitled "Jaw Closure Feature for End Effector of Surgical Instrument," published August 28, 2014, the disclosure of which is incorporated by reference herein; and/or in accordance with at least some of the teachings of U.S. Patent App. No. 14/314,108, entitled "Jaw Opening Feature for Surgical Stapler," filed on June 25, 2014, the disclosure of which is incorporated by reference herein. Exemplary features that may be used to provide longitudinal translation of closure ring (36) relative to end effector (40) will be described in greater detail below.

**[00041]** As noted above, handle assembly (20) includes a pistol grip (22) and a closure trigger (24). As also noted above, anvil (60) is closed toward lower jaw (50) in response to distal advancement of closure ring (36). In the present example, closure trigger (24) is pivotable toward pistol grip (22) to drive closure tube (32) and closure ring (36) distally. Various suitable components that may be used to convert pivotal movement of closure trigger (24) toward pistol grip (22) into distal translation of closure tube (32) and closure ring (36) relative to handle assembly (20) will be apparent to those of ordinary skill in the art in view of the teachings herein. When closure trigger (24) reaches a fully pivoted state, such that anvil (60) is in a fully closed position relative to lower jaw (50), locking features in handle assembly (20) lock the position of trigger (24) and closure tube (32), thereby locking anvil (60) in a fully closed position relative to lower jaw (50). These locking features are released by actuation of anvil release button (25). Anvil release button (25) is configured and positioned to be actuated by the thumb of the operator hand that grasps pistol grip (22). In other words, the operator may grasp pistol grip (22) with one hand, actuate closure trigger (24) with one or more fingers of the same hand, and then actuate anvil release button (25) with the thumb of the same hand, without ever needing to release the grasp of pistol grip (22) with the same hand. Other suitable

- 14 -

features that may be used to actuate anvil (60) will be apparent to those of ordinary skill in the art in view of the teachings herein.

**[00042]**                    D.       Exemplary Actuation of Firing Beam

**[00043]**            In the present example, instrument (10) provides motorized control of firing beam (82). In particular, instrument (10) includes motorized components that are configured to drive firing beam (82) distally in response to pivoting of firing trigger (26) toward pistol grip (22). In some versions, a motor (not shown) is contained in pistol grip (22) and receives power from battery pack (28). This motor is coupled with a transmission assembly (not shown) that converts rotary motion of a drive shaft of the motor into linear translation of firing beam (82). In some such versions, firing beam (82) may only be advanced distally when anvil (60) is in a fully closed position relative to lower jaw (50). After firing beam (82) is advanced distally to sever tissue and drive staples (77) as described above with reference to FIGS. 7A-7B, the drive assembly for firing beam (82) may be automatically reversed to drive firing beam (82) proximally back to the retracted position (e.g., back from the position shown in FIG. 7B to the position shown in FIG. 7A). Alternatively, the operator may actuate firing beam reverse switch (27), which may reverse the drive assembly for firing beam (82) in order to retract firing beam (82) to a proximal position. Handle assembly (20) of the present example further includes a bailout feature (21), which is operable to provide a mechanical bailout allowing the operator to manually retract firing beam (82) proximally (e.g., in the event of power loss while firing beam (82) is in a distal position, etc.).

**[00044]**            By way of example only, the features that are operable to provide motorized actuation of firing beam (82) may be configured and operable in accordance with at least some of the teachings of U.S. Pat. No. 8,210,411, entitled “Motor-Driven Surgical Instrument,” issued July 3, 2012, the disclosure of which is incorporated by reference herein. As another merely illustrative example, the features that are operable to provide motorized actuation of firing beam (82) may be configured and operable in accordance with at least some of the teachings of U.S. Pat. No. 8,453,914, entitled “Motor-Driven

- 15 -

Surgical Cutting Instrument with Electric Actuator Directional Control Assembly,” issued June 4, 2013, the disclosure of which is incorporated by reference herein. As yet another merely illustrative example, the features that are operable to provide motorized actuation of firing beam (82) may be configured and operable in accordance with at least some of the teachings of U.S. Patent App. No. 14/226,142, entitled “Surgical Instrument Comprising a Sensor System,” filed March 26, 2014, the disclosure of which is incorporated by reference herein.

**[00045]** Other suitable components, features, and configurations that may be used to provide motorization of firing beam (82) will be apparent to those of ordinary skill in the art in view of the teachings herein. It should also be understood that some other versions may provide manual driving of firing beam (82), such that a motor may be omitted. By way of example only, firing beam (82) may be manually actuated in accordance with at least some of the teachings of any other reference cited herein.

**[00046]** FIG. 8 shows end effector (40) having been actuated through a single stroke through tissue (90). As shown, cutting edge (84) (obscured in FIG. 8) has cut through tissue (90), while staple drivers (75) have driven two alternating rows of staples (77) through the tissue (90) on each side of the cut line produced by cutting edge (84). Staples (77) are all oriented substantially parallel to the cut line in this example, though it should be understood that staples (77) may be positioned at any suitable orientations. In the present example, end effector (40) is withdrawn from the trocar after the first stroke is complete, the spent staple cartridge (70) is replaced with a new staple cartridge (70), and end effector (40) is then again inserted through the trocar to reach the stapling site for further cutting and stapling. This process may be repeated until the desired amount of cuts and staples (77) have been provided. Anvil (60) may need to be closed to facilitate insertion and withdrawal through the trocar; and anvil (60) may need to be opened to facilitate replacement of staple cartridge (70).

**[00047]** It should be understood that cutting edge (84) may cut tissue substantially contemporaneously with staples (77) being driven through tissue during each actuation



- 16 -

stroke. In the present example, cutting edge (84) just slightly lags behind driving of staples (77), such that a staple (47) is driven through the tissue just before cutting edge (84) passes through the same region of tissue, though it should be understood that this order may be reversed or that cutting edge (84) may be directly synchronized with adjacent staples. While FIG. 8 shows end effector (40) being actuated in two layers (92, 94) of tissue (90), it should be understood that end effector (40) may be actuated through a single layer of tissue (90) or more than two layers (92, 94) of tissue. It should also be understood that the formation and positioning of staples (77) adjacent to the cut line produced by cutting edge (84) may substantially seal the tissue at the cut line, thereby reducing or preventing bleeding and/or leaking of other bodily fluids at the cut line. Furthermore, while FIG. 8 shows end effector (40) being actuated in two substantially flat, apposed planar layers (92, 94) of tissue, it should be understood that end effector (40) may also be actuated across a tubular structure such as a blood vessel, a section of the gastrointestinal tract, etc. FIG. 8 should therefore not be viewed as demonstrating any limitation on the contemplated uses for end effector (40). Various suitable settings and procedures in which instrument (10) may be used will be apparent to those of ordinary skill in the art in view of the teachings herein.

**[00048]** It should also be understood that any other components or features of instrument (10) may be configured and operable in accordance with any of the various references cited herein. Additional exemplary modifications that may be provided for instrument (10) will be described in greater detail below. Various suitable ways in which the below teachings may be incorporated into instrument (10) will be apparent to those of ordinary skill in the art. Similarly, various suitable ways in which the below teachings may be combined with various teachings of the references cited herein will be apparent to those of ordinary skill in the art. It should also be understood that the below teachings are not limited to instrument (10) or devices taught in the references cited herein. The below teachings may be readily applied to various other kinds of instruments, including instruments that would not be classified as surgical staplers. Various other suitable devices and settings in which the below teachings may be applied will be apparent to

- 17 -

those of ordinary skill in the art in view of the teachings herein.

**[00049]** II. Exemplary Alternative End Effector with Compressible Features on Jaws

**[00050]** End effector (40) may be structured to provide a predefined gap separating the surface of cartridge deck (73) and the corresponding surface of anvil (60) when anvil (60) is in a closed position. In some instances, cutting and stapling tissue may be challenging if the thickness of the target tissue differs from this predefined gap distance. For example, if the target tissue is significantly thicker than the gap, an operator may have trouble firing the instrument to effectively cut and staple the tissue. On the other hand, if the target tissue is thinner than the gap between the cartridge deck and the anvil, it may be difficult to maintain the position of the target tissue between anvil (60) and deck (73). Particularly, during firing, as knife member (80) advances against the tissue, the tissue may shift position within the jaws of the instrument, thereby making it challenging to effectively cut the target tissue. In some instances, staples (77) are driven through regions of tissue before knife member (80) reaches the same regions of tissue, such that the legs of staples (77) are disposed in the tissue before that region of tissue is severed. In such instances where the tissue is so thin that the tissue is not being held in place due to compression between anvil (60) and deck (73), knife member (80) may plow the tissue rather than cutting it cleanly, which may result in staples (77) tearing through the tissue through a cheese wire effect.

**[00051]** In view of the foregoing, it may be desirable to provide one or more features in end effector (40) that compress relatively thin tissue to thereby secure the tissue as knife member (80) is actuated. Such compression of tissue may prevent undesirable movement of tissue that might otherwise occur when the tissue is positioned between a closed anvil (60) and deck (73). In some versions, the compression features are present on staple cartridge (70), anvil (60), or both, as discussed in further detail below. By holding target tissue in place during firing of knife member (80), such compression features will aid in an effective cutting and stapling of tissue, even where the target tissue is thinner than the predefined gap distance between anvil (60) and deck (73) when anvil (60) is in a closed

- 18 -

position. Several examples of tissue compression features are described in greater detail below, while other examples will be apparent to those of ordinary skill in the art in view of the teachings herein.

**[00052]** FIGS. 9A-10C show an exemplary alternative end effector (140) that includes an anvil (60) and a lower jaw (50). Anvil (60) is omitted from FIGS. 9A-9B for clarity. Lower jaw (50) includes an exemplary alternative staple cartridge (170). End effector (140) may be readily incorporated into instrument (10) in place of end effector (40). Except as otherwise described below, end effector (140) is configured and operable just like end effector (40) described above. For instance, knife member (80) may be driven through end effector (140) just like knife member (80) being driven through end effector (40) as described above.

**[00053]** Staple cartridge (170) of the present example includes a set of opposing compressible features (196a, 196b) along outer edges (172) of staple cartridge (170). As shown, compressible features (196a, 196b) extend along opposite outer edges (172) of cartridge (170). As discussed in further detail below, compressible features (196a, 196b) are configured to act as bumpers to urge tissue captured between anvil (60) and lower jaw (50) toward anvil (60). Compressible features (196a, 196b) are configured to aid in applying compressive force to the target tissue clamped between anvil (60) and lower jaw (50) to hold target tissue in place. In the example shown, at least a portion of the target tissue is thinner than the predefined gap distance between anvil (60) and deck (73) when anvil (60) is in a closed position. However, it will be understood that end effector (140) is suitable for use with a variety of tissue thicknesses, including tissue that is thicker than the predefined gap distance between anvil (60) and deck (73) when anvil (60) is in a closed position.

**[00054]** As shown in the present example, each compressible feature (196a, 196b) is a single, elongate feature extending longitudinally and upwardly along a corresponding edge (172) of cartridge (170). Further, each compressible feature (196a, 196b) is shown to extend along a substantial portion of the length of cartridge (170). However, in

- 19 -

alternative examples, one or both of compressible features (196a, 196b) may be formed as plurality of discrete, spaced apart elements that are positioned along a corresponding edge (172) of cartridge (170). Furthermore, in some examples, one or both of compressible features (196a, 196b) may only extend along a portion or certain portions of channel (72). Suitable other configurations and positions for compressible features (196a, 196b) will be apparent to persons skilled in the art in view of the teachings herein.

**[00055]** As best seen in FIGS. 10A-10C, each compressible feature (196a, 196b) includes a generally triangular cross-sectional profile with a first side (198) facing away from end effector (140), a second side (200) facing the anvil (60) and the longitudinal axis of end effector (140), and a third side (202) facing cartridge deck (73). Thus, as shown in the present example, compressive features (196a, 196b) decrease the effective distance between the anvil (60) and cartridge (170), such that the distance between the highest point (and many other points) of compressible features (196a, 196b) and anvil (60) is less than the distance between cartridge deck (73) and anvil (60). As shown, each compressive feature (196a, 196b) includes an opening (204) that further contributes to the compressibility of compressive features (196a, 196b). In other words, openings (204) provide clearance for first and second sides (198, 200) to compress toward corresponding third sides (202). In some other examples, compressive features (196a, 196b) lack openings (204).

**[00056]** In the example shown, compressible features (196a, 196b) are separate elements from cartridge deck (73) and are fixed to cartridge deck (73) at the third sides (202) by various suitable methods as will be apparent to persons skilled in the art in view of the teachings herein. In some versions, compressible features (196a, 196b) may be overmolded onto the cartridge deck (73) or other parts of cartridge (170). In some versions, each compressible feature (196a, 196b) is integral with cartridge (170). In such some such versions, compressible features (196a, 196b) may be co-molded with cartridge deck (73) or other parts of cartridge (170). In the example shown, compressible features (196a, 196b) are configured to be rigid enough to maintain their positions and urge tissue

- 20 -

toward anvil (60) when an operator grasps tissue between anvil (60) and lower jaw (50). However, compressible features (196a, 196b) are also configured to be compressible a sufficient amount such that when an operator grasps tissue (90) between lower jaw (50) and anvil (60), compressible features (196a, 196b) do not prevent anvil (60) from moving to the fully closed position relative to the lower jaw (50) (as, for example, shown in FIGS. 10B-10C). Other suitable configurations of compressive features (196a, 196b) will be apparent to persons skilled in the art in view of the teachings herein.

**[00057]** In some examples, compressible features (196a, 196b) may comprise a polymer and/or an elastomer. In addition or in the alternative, compressible features (196a, 196b) may be formed of a resilient material, such that compressible features (196a, 196b) resiliently bias tissue (90) against anvil (60) when tissue (90) is captured between anvil (60) and deck (73). Suitable other materials that may be used to form compressible features (196a, 196b) will be apparent to persons skilled in the art in view of the teachings herein. In the example shown, compressible features (196a, 196b) are in the form of a foam. Alternatively, compressible features (196a, 196b) may comprise other suitable forms, as will be apparent to persons skilled in the art in view of the teachings herein. It should be understood that, due to the compressibility and/or other properties of compressible features (196a, 196b), compressible features (196a, 196b) will not cause any trauma to tissue (90) even when compressible features (196a, 196b) compress the tissue (90) against anvil (60).

**[00058]** Referring to FIGS. 10B-10C, in use, end effector (140) may clamp tissue (90) in the same manner as described above with respect to end effector (40). As shown, the layers (92, 94) of tissue (90) are positioned between anvil (60) and lower jaw (150). In the example shown, the thickness of the layers (92, 94) of tissue (90) along at least a portion of the tissue (90) is less than the predefined gap distance between anvil (60) and cartridge deck (73) when anvil (60) is in the closed position. However, compressible features (196a, 196b) apply a substantially vertical load to the tissue (90) that is coincident with the compressible features (196a, 196b), compressing corresponding

- 21 -

regions of tissue (90) against anvil (60). As shown, compressible features (196a, 196b) are compressible when tissue (90) is received in end effector (140), the extent to which depends on the thickness of tissue (90). When in the compressed condition as shown in FIGS. 10B-10C, a portion of each compressible member (196a, 196b) deflects outwardly away from the longitudinal axis of end effector (140) such that a portion of each compressible member (196a, 196b) is outboard of the cartridge (170).

**[00059]** In the example shown, compressible features (196a, 196b) contact tissue (90) at regions of tissue (90) that are substantially aligned with the edges (172) of cartridge (170). As shown in FIG. 10C, as knife member (80) advances along channel (72), knife member (80) severs tissue (90). Moreover, knife member (80) drives wedge sled (78) distally as knife member (80) translates distally through end effector (140), thereby driving staples (77) through tissue (90) and against anvil (60) into formation, in the same manner described above with respect to end effector (40). As shown, compressible features (196a, 196b) prevent tissue (90) from substantially moving during the severing and stapling of tissue (90). In particular, by compressing tissue (90) against anvil (60), compressible features (196a, 196b) keep the tissue (90) substantially taut across the width defined between compressible features (196a, 196b), thereby preventing movement of tissue (90) along lateral paths that are transverse to the longitudinal axis of end effector (140). Moreover, compressible features (196a, 196b) prevent movement of tissue (90) along paths that are parallel to the longitudinal axis of end effector (140).

**[00060]** By firmly holding the position of tissue (90) between anvil (60) and cartridge deck (73), compressible features (196a, 196b) may reduce stress that might otherwise be imposed on tissue (90), at the regions where legs of staples (77) are driven through tissue (90), as knife member (80) is driven through tissue. In other words, compressible features (196a, 196b), rather than staples (77), may serve the role of holding tissue (90) in place as knife member (80) cuts through the tissue (90). In the absence of compressible features (196a, 196b), when tissue (90) is thinner than the predefined gap separating the surface of cartridge deck (73) and the corresponding surface of anvil (60) when anvil (60)

- 22 -

is in a closed position, staples (77) may need to serve the role of holding tissue (90) in place as knife member (80) cuts through the tissue (90), which may cause the tissue (90) to tear at staples (77) through a cheese wire effect. Such tearing may compromise the fixation of staples (77) in the tissue (90), which may ultimately result in full or partial failure of a deployed line of staples (77). Compressible features (196a, 166b) may thus maintain greater structural integrity of tissue (90) after end effector (140) has been actuated on the tissue (90); and may thus provide a more reliable line of staples (77) in the tissue.

**[00061]** While compressible features (196a, 196b) are shown as being part of cartridge (170) in the present example, it should be understood that similar compressible features may be readily incorporated into anvil (60). In versions where anvil (60) includes integral compressible features like compressible features (196a, 196b), cartridge (170) may still include compressible features (196a, 196b). In some such versions, the compressible features of anvil (60) may be laterally offset from compressible features (196a, 196b) of cartridge (170). In some other versions where anvil (60) includes integral compressible features like compressible features (196a, 196b), cartridge (170) may simply lack compressible features (196a, 196b). It should also be understood that, regardless of whether the compressible features are on anvil (60) and/or on cartridge (170), end effector (140) may be used as a tissue grasper by selectively opening and closing anvil (60), even with thin tissue structures, without necessarily firing knife member (80). Other suitable ways in which compressible features (196a, 196b) may be varied and used will be apparent to those of ordinary skill in the art in view of the teachings herein.

**[00062]** III. Exemplary Combinations

**[00063]** The following examples relate to various non-exhaustive ways in which the teachings herein may be combined or applied. It should be understood that the following examples are not intended to restrict the coverage of any claims that may be presented at any time in this application or in subsequent filings of this application. No disclaimer is

- 23 -

intended. The following examples are being provided for nothing more than merely illustrative purposes. It is contemplated that the various teachings herein may be arranged and applied in numerous other ways. It is also contemplated that some variations may omit certain features referred to in the below examples. Therefore, none of the aspects or features referred to below should be deemed critical unless otherwise explicitly indicated as such at a later date by the inventors or by a successor in interest to the inventors. If any claims are presented in this application or in subsequent filings related to this application that include additional features beyond those referred to below, those additional features shall not be presumed to have been added for any reason relating to patentability.

**[00064]** Example 1

**[00065]** An apparatus comprising: (a) a body; (b) a shaft assembly extending distally from the body, wherein the shaft assembly defines a longitudinal axis; (c) an end effector, wherein the end effector comprises: (i) an anvil, and (ii) a lower jaw, wherein the anvil is pivotable toward the lower jaw to capture tissue between the anvil and the lower jaw; and (d) a staple cartridge coupled with the lower jaw, wherein the staple cartridge comprises: (i) a deck facing the anvil, (ii) a plurality of staples positioned in a plurality of staple openings formed through the deck, and (iii) at least one compressible feature extending toward the anvil, wherein the at least one compressible feature is positioned along an outer region of the deck, wherein the at least one compressible feature is configured to compress tissue against the anvil.

**[00066]** Example 2

**[00067]** The apparatus of Example 1, wherein the deck defines opposing outer edges extending parallel to the longitudinal axis, wherein the at least one compressible feature comprises a pair of compressible features, wherein each of the compressible features extends along a corresponding one of the outer edges.



- 24 -

[00068] Example 3

[00069] The apparatus of Example 2, wherein a portion of each of the compressible features is configured to deflect outwardly away from the longitudinal axis of end effector such that a portion of each of the compressible features is outboard of the deck, in response to the end effector grasping tissue.

[00070] Example 4

[00071] The apparatus of any one or more of Examples 1 through 3, wherein the at least one compressible feature extends upwardly from the deck.

[00072] Example 5

[00073] The apparatus of any one or more of Examples 1 through 4, wherein the deck defines a length, wherein the at least one compressible feature extends along the length of the deck.

[00074] Example 6

[00075] The apparatus of any one or more of Examples 1 through 5, wherein the at least one compressible feature has a generally triangular cross-sectional profile along a plane that is perpendicular to the longitudinal axis.

[00076] Example 7

[00077] The apparatus of any one or more of Examples 1 through 6, further comprising a firing bar movable through the end effector to effect severing and stapling of tissue captured between the anvil and the deck.

[00078] Example 8

[00079] The apparatus of Example 7, wherein the at least one compressible feature is configured to compress tissue against the anvil as the firing bar severs the tissue.

- 25 -

[00080] Example 9

[00081] The apparatus of any one or more of Examples 7 through 8, wherein the at least one compressible feature is configured to remain part of the staple cartridge after the firing bar moves through the end effector to effect severing and stapling of the tissue.

[00082] Example 10

[00083] The apparatus of any one or more of Examples 1 through 9, wherein the at least one compressible feature is configured to resiliently urge tissue clamped between the anvil and lower jaw toward the anvil.

[00084] Example 11

[00085] The apparatus of any one or more of Examples 1 through 10, wherein the at least one compressible feature is integral with the deck.

[00086] Example 12

[00087] The apparatus of any one or more of Examples 1 through 11, wherein the at least one compressible feature is configured to deform in response to compression of tissue by the compressible features against the anvil

[00088] Example 13

[00089] The apparatus of any one or more of Examples 1 through 12, wherein the at least one compressible feature defines an opening.

[00090] Example 14

[00091] The apparatus of Example 13, wherein the at least one compressible feature further defines a length, wherein the opening extends along the length of the compressible feature.

[00092] Example 15

[00093] The apparatus of any one or more of Examples 1 through 14, wherein the at least one compressible member comprises an elastomeric material.

[00094] Example 16

[00095] The apparatus of any one or more of Examples 1 through 15, wherein the compressible feature comprises foam.

[00096] Example 17

[00097] A staple cartridge for use with an end effector of a surgical stapler, the staple cartridge comprising: (a) a cartridge body, wherein the cartridge body includes a cartridge deck, wherein the cartridge body further defines a plurality of staple openings passing through the cartridge deck, wherein the cartridge deck includes a first outermost edge and a second outermost edge, wherein the outermost edges extend longitudinally along a length of the cartridge deck, wherein the staple openings are positioned between the outermost edges; (b) a plurality of staples associated with the plurality of staple openings; (c) a first compressible bumper extending along the first outermost edge; and (d) a second compressible bumper extending along the second outermost edge; wherein the first and second compressible bumpers are configured to remain on the cartridge body after the staples are directed out of the staple openings.

[00098] Example 18

[00099] The staple cartridge of Example 17, wherein each of the compressible bumpers defines an opening extending along the length of the compressible bumpers, wherein the opening of each of the compressible bumpers is configured to provide clearance for compression of the compressible bumpers.

[000100] Example 19

- 27 -

**[000101]** A method of using a surgical instrument, wherein the surgical instrument comprises: (a) an end effector, wherein the end effector comprises: (i) an anvil, (ii) a lower jaw, wherein the anvil is configured to move toward and away from the lower jaw, and (iii) a staple cartridge disposed in the lower jaw, wherein the staple cartridge comprises: (A) a plurality of staples, (B) a deck facing the anvil, wherein the staples are configured to pass through the deck, and (C) a pair of compressible features extending along outer edges of the deck; and (b) a firing member configured to advance through the end effector to drive the staple drivers toward the anvil, the method comprising: (a) positioning tissue between the anvil and the lower jaw; (b) moving the anvil toward the jaw to place the anvil a closed position, wherein moving the anvil toward the jaw causes the compressible features to compress the tissue against the anvil, wherein the compressible features compress in response to compressing the tissue against the anvil; and (c) advancing the firing member through the end effector, wherein advancement of the firing member moves the staples toward the anvil and severs the tissue, wherein the compressible features maintain tautness in the tissue as the firing member is advanced through the end effector.

**[000102]** Example 20

**[000103]** The method according to Example 19, wherein the anvil and the deck define a gap when the anvil is in the closed position, wherein the gap defines a gap distance, wherein the tissue positioned between the anvil and the lower jaw has a thickness, wherein the thickness is less than the gap distance.

**[000104]** IV. Miscellaneous

**[000105]** It should be understood that any one or more of the teachings, expressions, embodiments, examples, etc. described herein may be combined with any one or more of the other teachings, expressions, embodiments, examples, etc. that are described herein. The above-described teachings, expressions, embodiments, examples, etc. should therefore not be viewed in isolation relative to each other. Various suitable ways in

- 28 -

which the teachings herein may be combined will be readily apparent to those of ordinary skill in the art in view of the teachings herein. Such modifications and variations are intended to be included within the scope of the claims.

**[000106]** It should be appreciated that any patent, publication, or other disclosure material, in whole or in part, that is said to be incorporated by reference herein is incorporated herein only to the extent that the incorporated material does not conflict with existing definitions, statements, or other disclosure material set forth in this disclosure. As such, and to the extent necessary, the disclosure as explicitly set forth herein supersedes any conflicting material incorporated herein by reference. Any material, or portion thereof, that is said to be incorporated by reference herein, but which conflicts with existing definitions, statements, or other disclosure material set forth herein will only be incorporated to the extent that no conflict arises between that incorporated material and the existing disclosure material.

**[000107]** Versions of the devices described above may have application in conventional medical treatments and procedures conducted by a medical professional, as well as application in robotic-assisted medical treatments and procedures. By way of example only, various teachings herein may be readily incorporated into a robotic surgical system such as the DAVINCI™ system by Intuitive Surgical, Inc., of Sunnyvale, California. Similarly, those of ordinary skill in the art will recognize that various teachings herein may be readily combined with various teachings of any of the following: U.S. Pat. No. 5,792,135, entitled “Articulated Surgical Instrument For Performing Minimally Invasive Surgery With Enhanced Dexterity and Sensitivity,” issued August 11, 1998, the disclosure of which is incorporated by reference herein; U.S. Pat. No. 5,817,084, entitled “Remote Center Positioning Device with Flexible Drive,” issued October 6, 1998, the disclosure of which is incorporated by reference herein; U.S. Pat. No. 5,878,193, entitled “Automated Endoscope System for Optimal Positioning,” issued March 2, 1999, the disclosure of which is incorporated by reference herein; U.S. Pat. No. 6,231,565, entitled “Robotic Arm DLUS for Performing Surgical Tasks,” issued May 15, 2001, the

- 29 -

disclosure of which is incorporated by reference herein; U.S. Pat. No. 6,783,524, entitled “Robotic Surgical Tool with Ultrasound Cauterizing and Cutting Instrument,” issued August 31, 2004, the disclosure of which is incorporated by reference herein; U.S. Pat. No. 6,364,888, entitled “Alignment of Master and Slave in a Minimally Invasive Surgical Apparatus,” issued April 2, 2002, the disclosure of which is incorporated by reference herein; U.S. Pat. No. 7,524,320, entitled “Mechanical Actuator Interface System for Robotic Surgical Tools,” issued April 28, 2009, the disclosure of which is incorporated by reference herein; U.S. Pat. No. 7,691,098, entitled “Platform Link Wrist Mechanism,” issued April 6, 2010, the disclosure of which is incorporated by reference herein; U.S. Pat. No. 7,806,891, entitled “Repositioning and Reorientation of Master/Slave Relationship in Minimally Invasive Telesurgery,” issued October 5, 2010, the disclosure of which is incorporated by reference herein; U.S. Pub. No. 2013/0012957, entitled “Automated End Effector Component Reloading System for Use with a Robotic System, published January 10, 2013, the disclosure of which is incorporated by reference herein; U.S. Pub. No. 2012/0199630, entitled “Robotically-Controlled Surgical Instrument with Force-Feedback Capabilities,” published August 9, 2012, the disclosure of which is incorporated by reference herein; U.S. Pub. No. 2012/0132450, entitled “Shiftable Drive Interface for Robotically-Controlled Surgical Tool,” published May 31, 2012, the disclosure of which is incorporated by reference herein; U.S. Pub. No. 2012/0199633, entitled “Surgical Stapling Instruments with Cam-Driven Staple Deployment Arrangements,” published August 9, 2012, the disclosure of which is incorporated by reference herein; U.S. Pub. No. 2012/0199631, entitled “Robotically-Controlled Motorized Surgical End Effector System with Rotary Actuated Closure Systems Having Variable Actuation Speeds,” published August 9, 2012, the disclosure of which is incorporated by reference herein; U.S. Pub. No. 2012/0199632, entitled “Robotically-Controlled Surgical Instrument with Selectively Articulatable End Effector,” published August 9, 2012, the disclosure of which is incorporated by reference herein; U.S. Pub. No. 2012/0203247, entitled “Robotically-Controlled Surgical End Effector System,” published August 9, 2012, the disclosure of which is incorporated by reference herein;

U.S. Pub. No. 2012/0211546, entitled “Drive Interface for Operably Coupling a Manipulatable Surgical Tool to a Robot,” published August 23, 2012; U.S. Pub. No. 2012/0138660, entitled “Robotically-Controlled Cable-Based Surgical End Effectors,” published June 7, 2012, the disclosure of which is incorporated by reference herein; and/or U.S. Pub. No. 2012/0205421, entitled “Robotically-Controlled Surgical End Effector System with Rotary Actuated Closure Systems,” published August 16, 2012, the disclosure of which is incorporated by reference herein.

**[000108]** Versions of the devices described above may be designed to be disposed of after a single use, or they can be designed to be used multiple times. Versions may, in either or both cases, be reconditioned for reuse after at least one use. Reconditioning may include any combination of the steps of disassembly of the device, followed by cleaning or replacement of particular pieces, and subsequent reassembly. In particular, some versions of the device may be disassembled, and any number of the particular pieces or parts of the device may be selectively replaced or removed in any combination. Upon cleaning and/or replacement of particular parts, some versions of the device may be reassembled for subsequent use either at a reconditioning facility, or by a user immediately prior to a procedure. Those skilled in the art will appreciate that reconditioning of a device may utilize a variety of techniques for disassembly, cleaning/replacement, and reassembly. Use of such techniques, and the resulting reconditioned device, are all within the scope of the present application.

**[000109]** By way of example only, versions described herein may be sterilized before and/or after a procedure. In one sterilization technique, the device is placed in a closed and sealed container, such as a plastic or TYVEK bag. The container and device may then be placed in a field of radiation that can penetrate the container, such as gamma radiation, x-rays, or high-energy electrons. The radiation may kill bacteria on the device and in the container. The sterilized device may then be stored in the sterile container for later use. A device may also be sterilized using any other technique known in the art, including but not limited to beta or gamma radiation, ethylene oxide, or steam.

- 31 -

[000110] Having shown and described various embodiments of the present invention, further adaptations of the methods and systems described herein may be accomplished by appropriate modifications by one of ordinary skill in the art without departing from the scope of the present invention. Several of such potential modifications have been mentioned, and others will be apparent to those skilled in the art. For instance, the examples, embodiments, geometrics, materials, dimensions, ratios, steps, and the like discussed above are illustrative and are not required. Accordingly, the scope of the present invention should be considered in terms of the following claims and is understood not to be limited to the details of structure and operation shown and described in the specification and drawings.



I/We Claim:

1. An apparatus comprising:
  - (a) a body;
  - (b) a shaft assembly extending distally from the body, wherein the shaft assembly defines a longitudinal axis;
  - (c) an end effector, wherein the end effector comprises:
    - (i) an anvil, and
    - (ii) a lower jaw, wherein the anvil is pivotable toward the lower jaw to capture tissue between the anvil and the lower jaw; and
  - (d) a staple cartridge coupled with the lower jaw, wherein the staple cartridge comprises:
    - (i) a deck facing the anvil,
    - (ii) a plurality of staples positioned in a plurality of staple openings formed through the deck, and
    - (iii) at least one compressible feature extending toward the anvil, wherein the at least one compressible feature is positioned along an outer region of the deck, wherein the at least one compressible feature is configured to compress tissue against the anvil.
  
2. The apparatus of claim 1, wherein the deck defines opposing outer edges extending parallel to the longitudinal axis, wherein the at least one compressible feature comprises a pair of compressible features, wherein each of the compressible features extends along a corresponding one of the outer edges.
  
3. The apparatus of claim 2, wherein a portion of each of the compressible features is configured to deflect outwardly away from the longitudinal axis of end effector such that a portion of each of the compressible features is outboard of the deck, in response to the end effector grasping tissue.

- 33 -

4. The apparatus of claim 1, wherein the at least one compressible feature extends upwardly from the deck.

5. The apparatus of claim 1, wherein the deck defines a length, wherein the at least one compressible feature extends along the length of the deck.

6. The apparatus of claim 1, wherein the at least one compressible feature has a generally triangular cross-sectional profile along a plane that is perpendicular to the longitudinal axis.

7. The apparatus of claim 1, further comprising a firing bar movable through the end effector to effect severing and stapling of tissue captured between the anvil and the deck.

8. The apparatus of claim 7, wherein the at least one compressible feature is configured to compress tissue against the anvil as the firing bar severs the tissue.

9. The apparatus of claim 7, wherein the at least one compressible feature is configured to remain part of the staple cartridge after the firing bar moves through the end effector to effect severing and stapling of the tissue.

10. The apparatus of claim 1, wherein the at least one compressible feature is configured to resiliently urge tissue clamped between the anvil and lower jaw toward the anvil.

11. The apparatus of claim 1, wherein the at least one compressible feature is integral with the deck.

12. The apparatus of claim 1, wherein the at least one compressible feature is configured to deform in response to compression of tissue by the compressible features against the anvil

- 34 -

13. The apparatus of claim 1, wherein the at least one compressible feature defines an opening.

14. The apparatus of claim 13, wherein the at least one compressible feature further defines a length, wherein the opening extends along the length of the compressible feature.

15. The apparatus of claim 1, wherein the at least one compressible member comprises an elastomeric material.

16. The apparatus of claim 1, wherein the compressible feature comprises foam.

17. A staple cartridge for use with an end effector of a surgical stapler, the staple cartridge comprising:

- (a) a cartridge body, wherein the cartridge body includes a cartridge deck, wherein the cartridge body further defines a plurality of staple openings passing through the cartridge deck, wherein the cartridge deck includes a first outermost edge and a second outermost edge, wherein the outermost edges extend longitudinally along a length of the cartridge deck, wherein the staple openings are positioned between the outermost edges;
- (b) a plurality of staples associated with the plurality of staple openings;
- (c) a first compressible bumper extending along the first outermost edge; and
- (d) a second compressible bumper extending along the second outermost edge;

wherein the first and second compressible bumpers are configured to remain on the cartridge body after the staples are directed out of the staple openings.

18. The staple cartridge of claim 17, wherein each of the compressible bumpers defines an opening extending along the length of the compressible bumpers, wherein the opening

- 35 -

of each of the compressible bumpers is configured to provide clearance for compression of the compressible bumpers.

19. A method of using a surgical instrument, wherein the surgical instrument comprises:

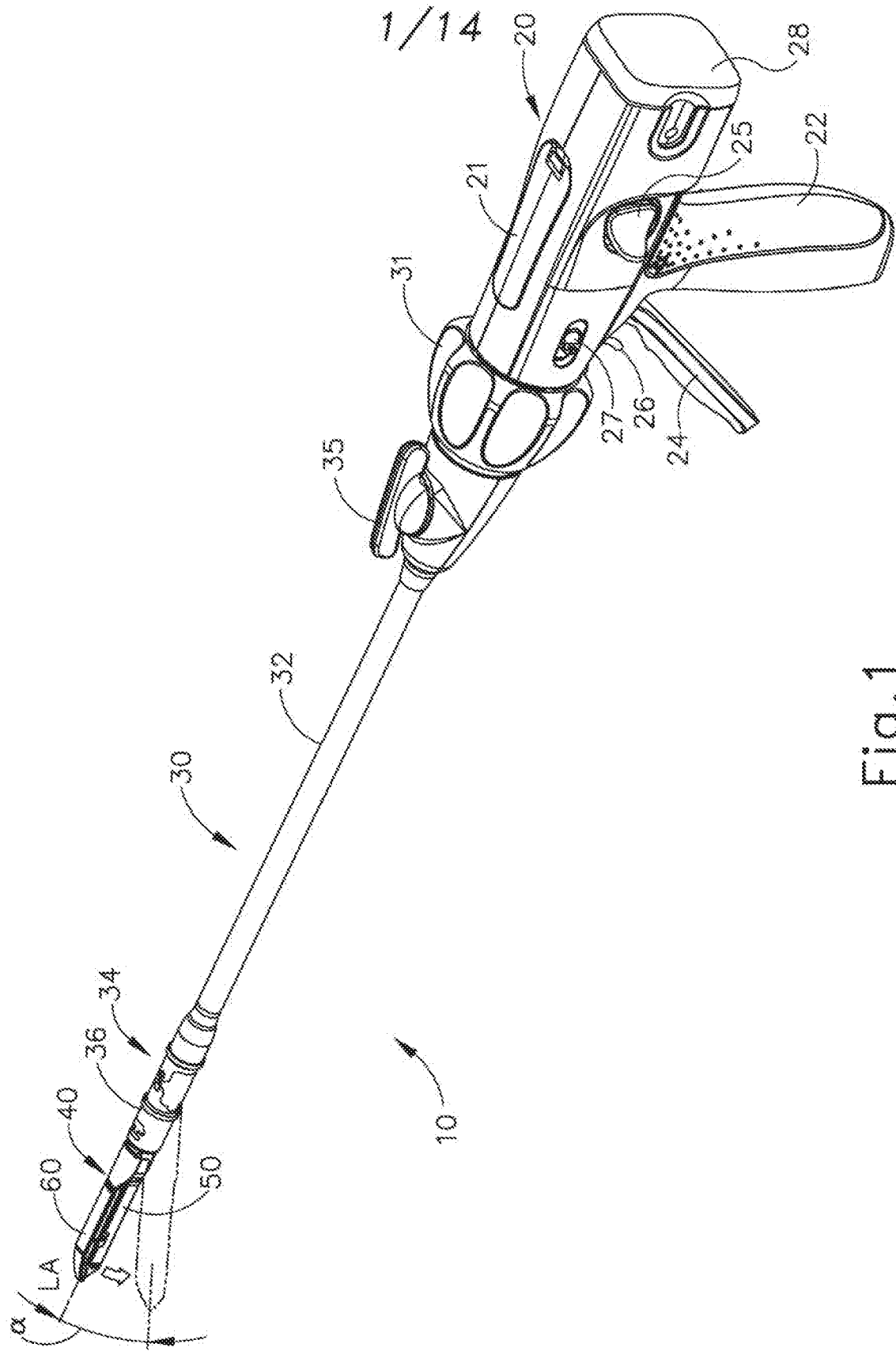
- (a) an end effector, wherein the end effector comprises:
  - (i) an anvil,
  - (ii) a lower jaw, wherein the anvil is configured to move toward and away from the lower jaw, and
  - (iii) a staple cartridge disposed in the lower jaw, wherein the staple cartridge comprises:
    - (A) a plurality of staples,
    - (B) a deck facing the anvil, wherein the staples are configured to pass through the deck, and
    - (C) a pair of compressible features extending along outer edges of the deck; and
- (b) a firing member configured to advance through the end effector to drive the staple drivers toward the anvil,

the method comprising:

- (a) positioning tissue between the anvil and the lower jaw;
- (b) moving the anvil toward the jaw to place the anvil a closed position, wherein moving the anvil toward the jaw causes the compressible features to compress the tissue against the anvil, wherein the compressible features compress in response to compressing the tissue against the anvil; and
- (c) advancing the firing member through the end effector, wherein advancement of the firing member moves the staples toward the anvil and severs the tissue, wherein the compressible features maintain tautness in the tissue as the firing member is advanced through the end effector.

- 36 -

20. The method according to claim 19, wherein the anvil and the deck define a gap when the anvil is in the closed position, wherein the gap defines a gap distance, wherein the tissue positioned between the anvil and the lower jaw has a thickness, wherein the thickness is less than the gap distance.



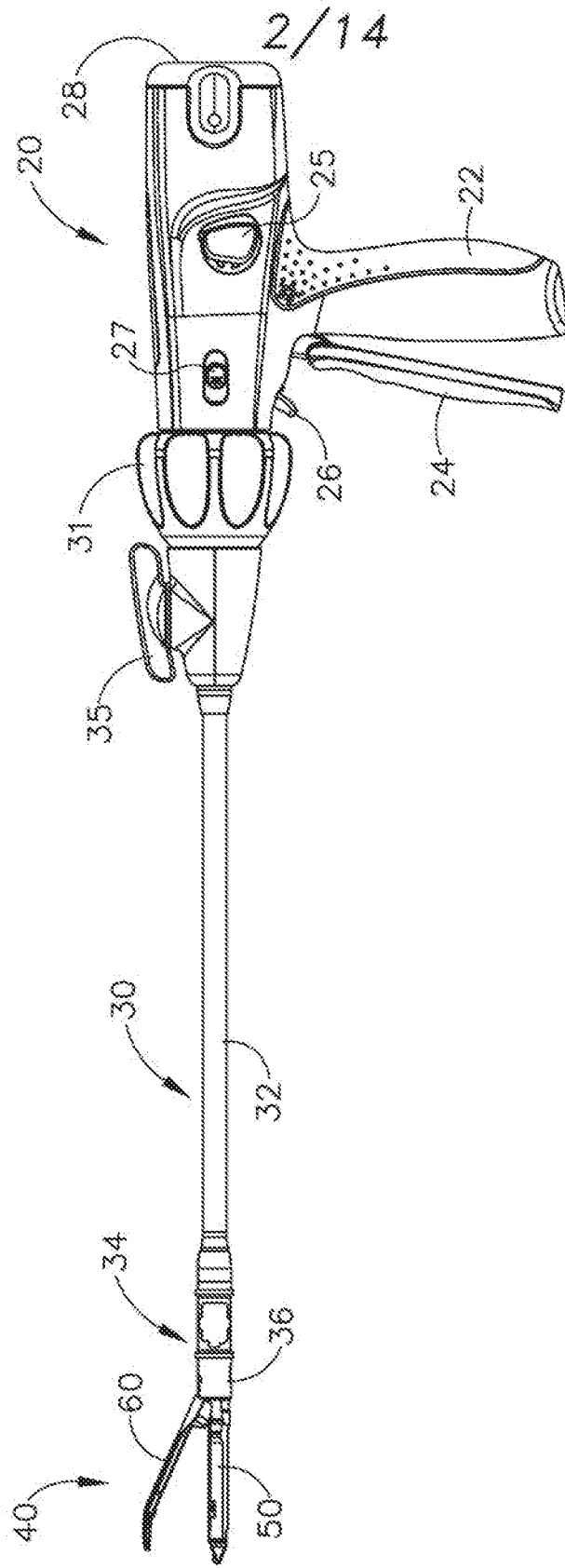


Fig. 2

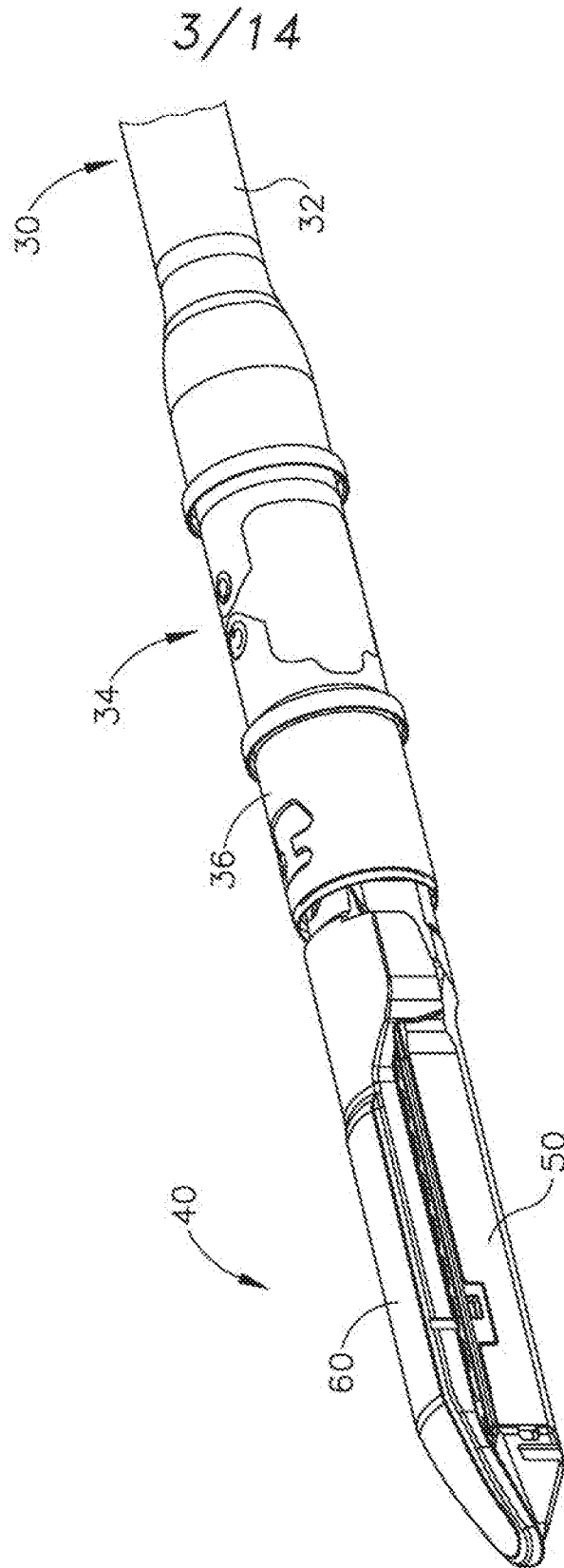


Fig. 3



4/14

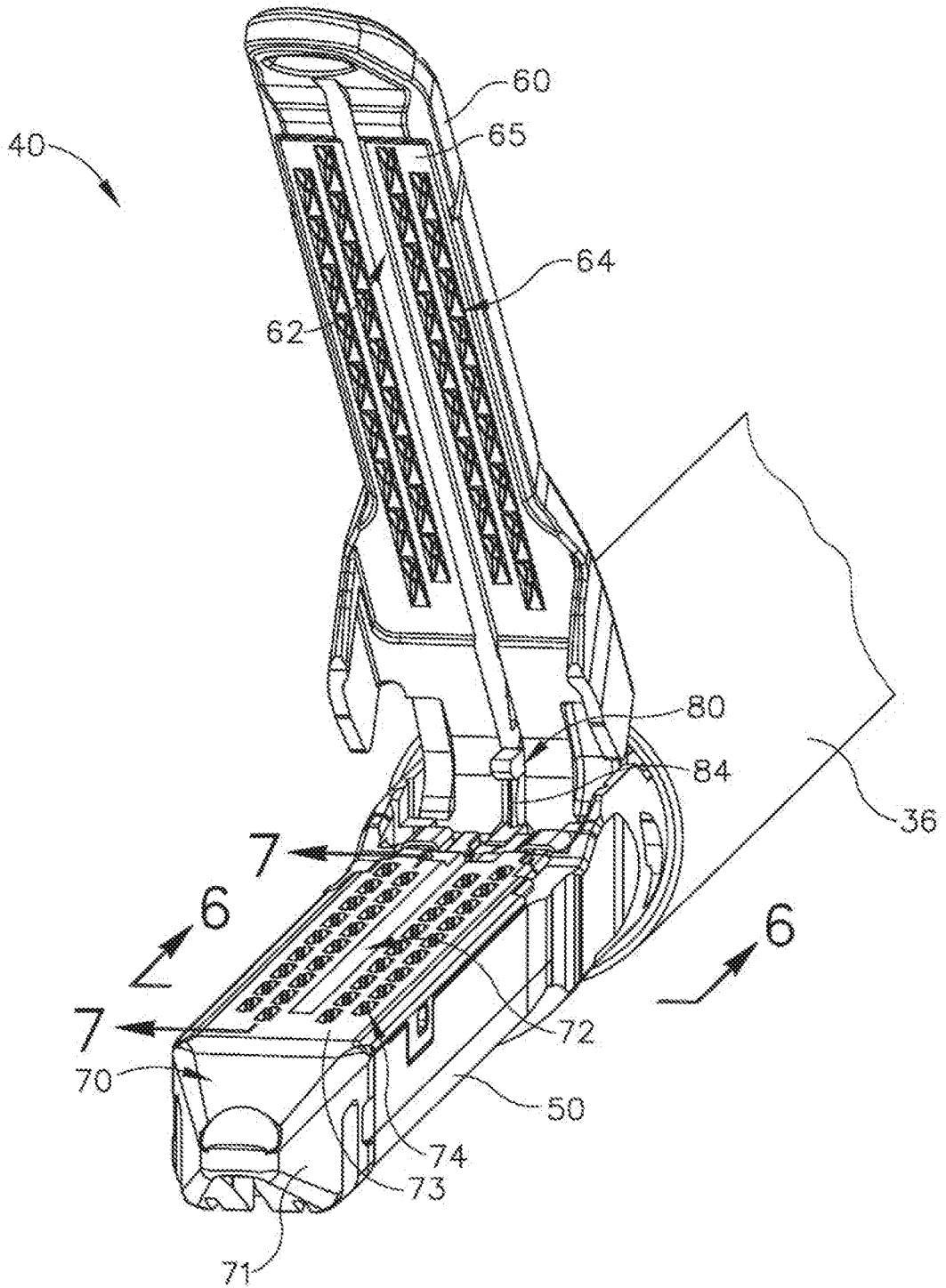


Fig. 4

5/14

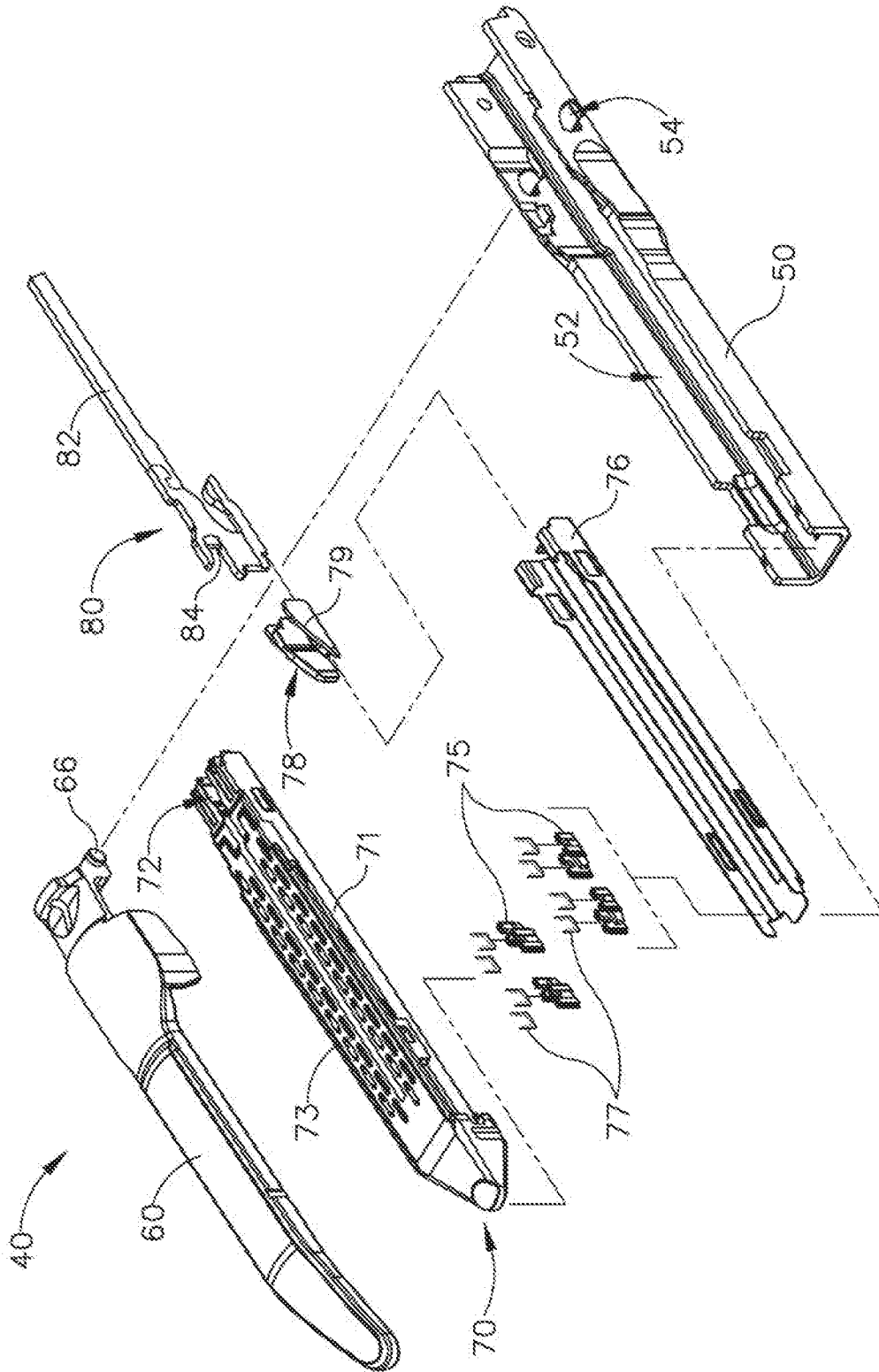


Fig.5

6/14

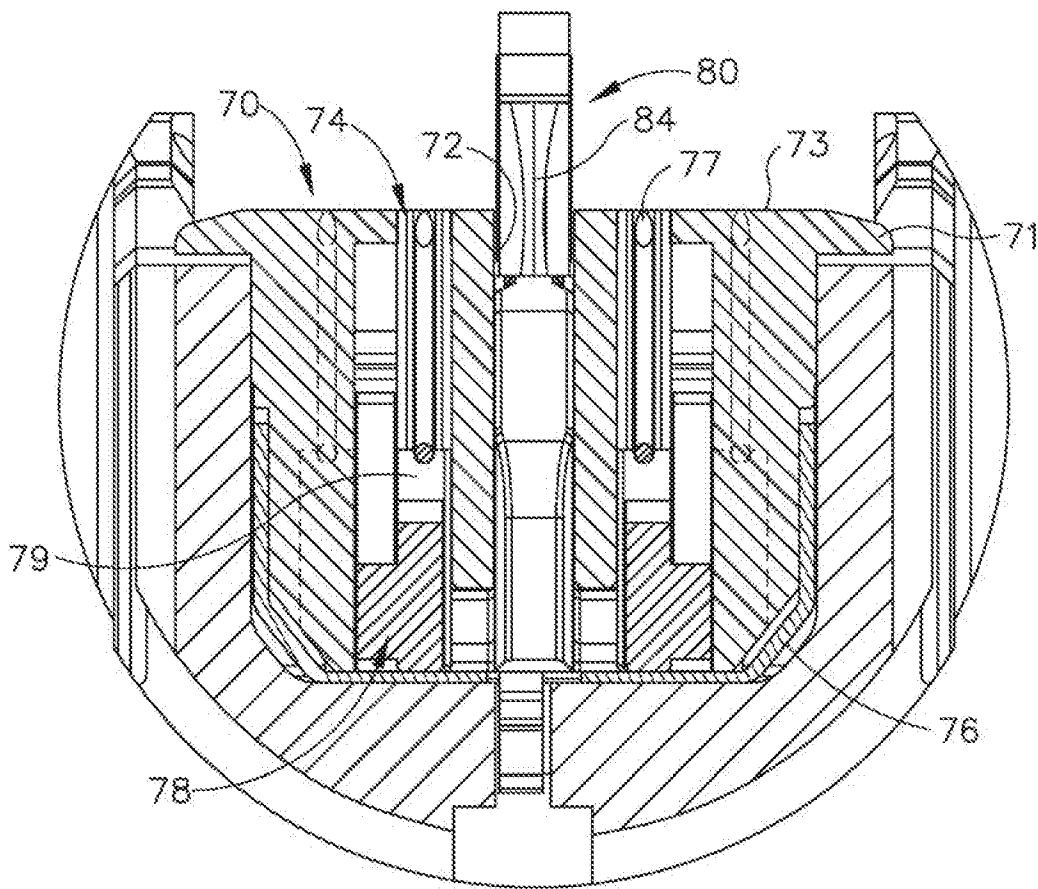


Fig.6

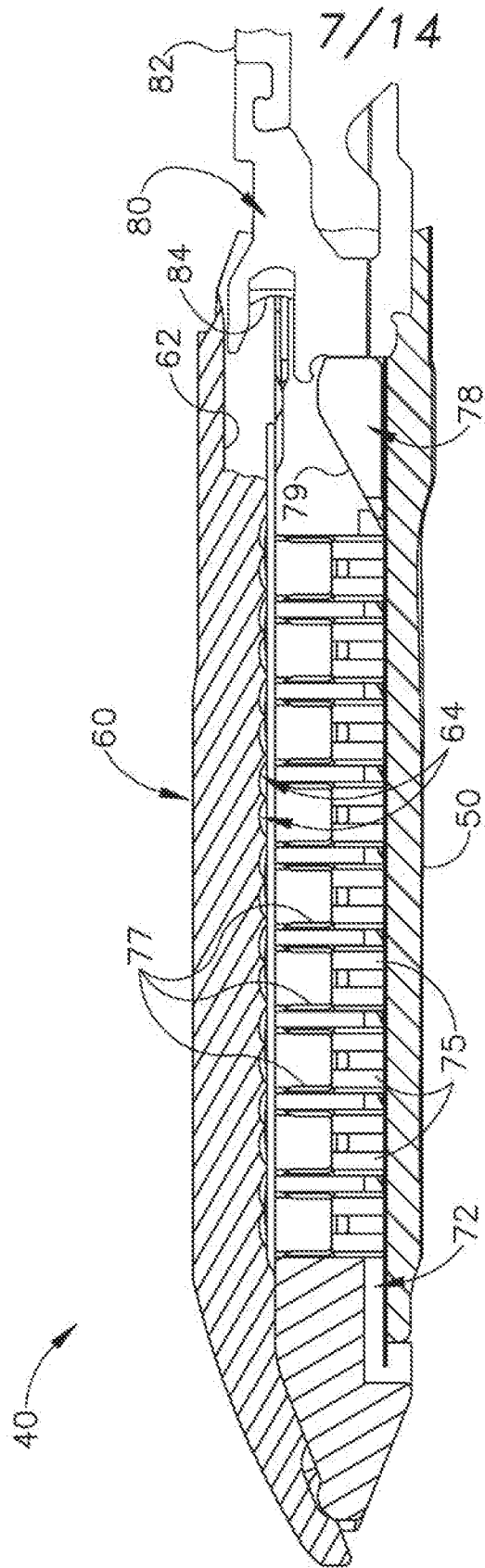


Fig. 7A

8/14

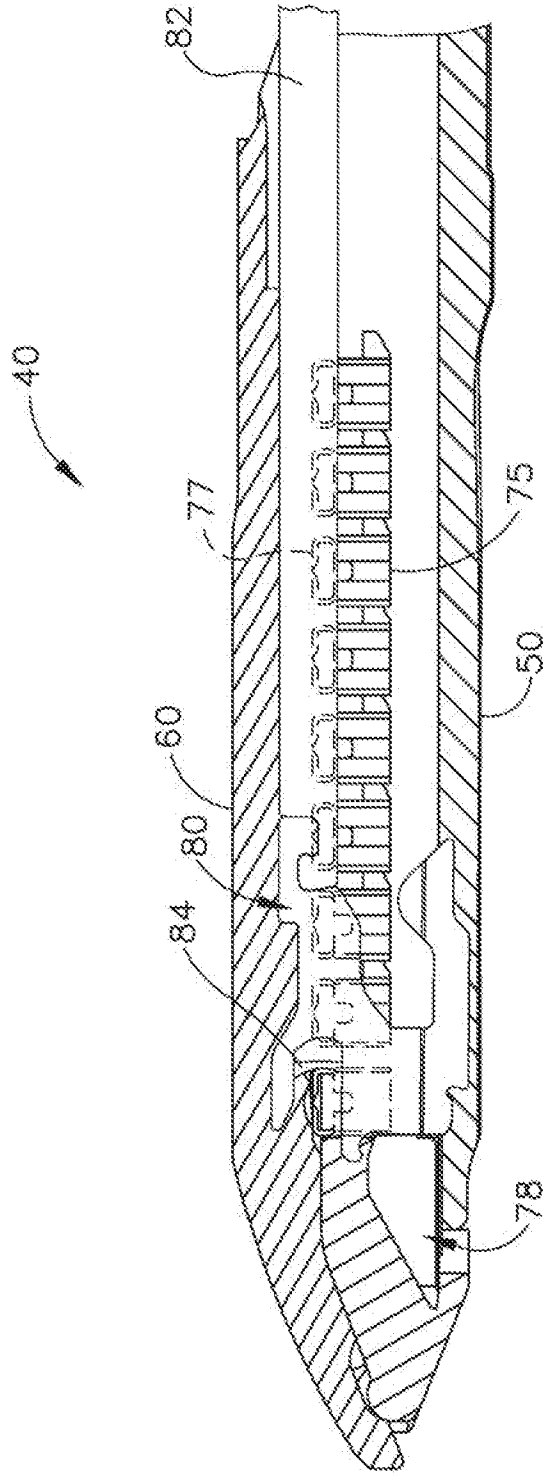


Fig. 7B

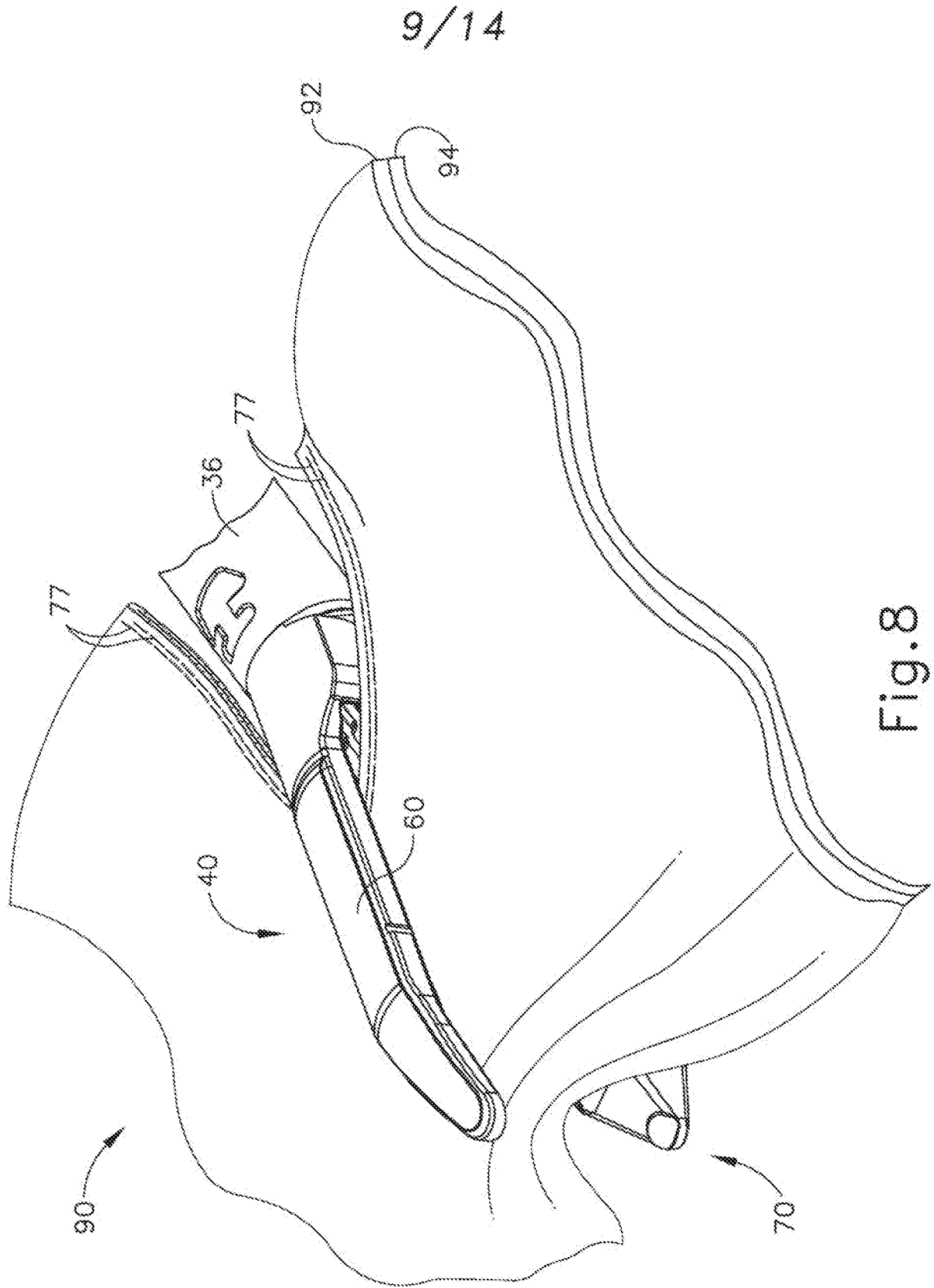


Fig.8

10/14

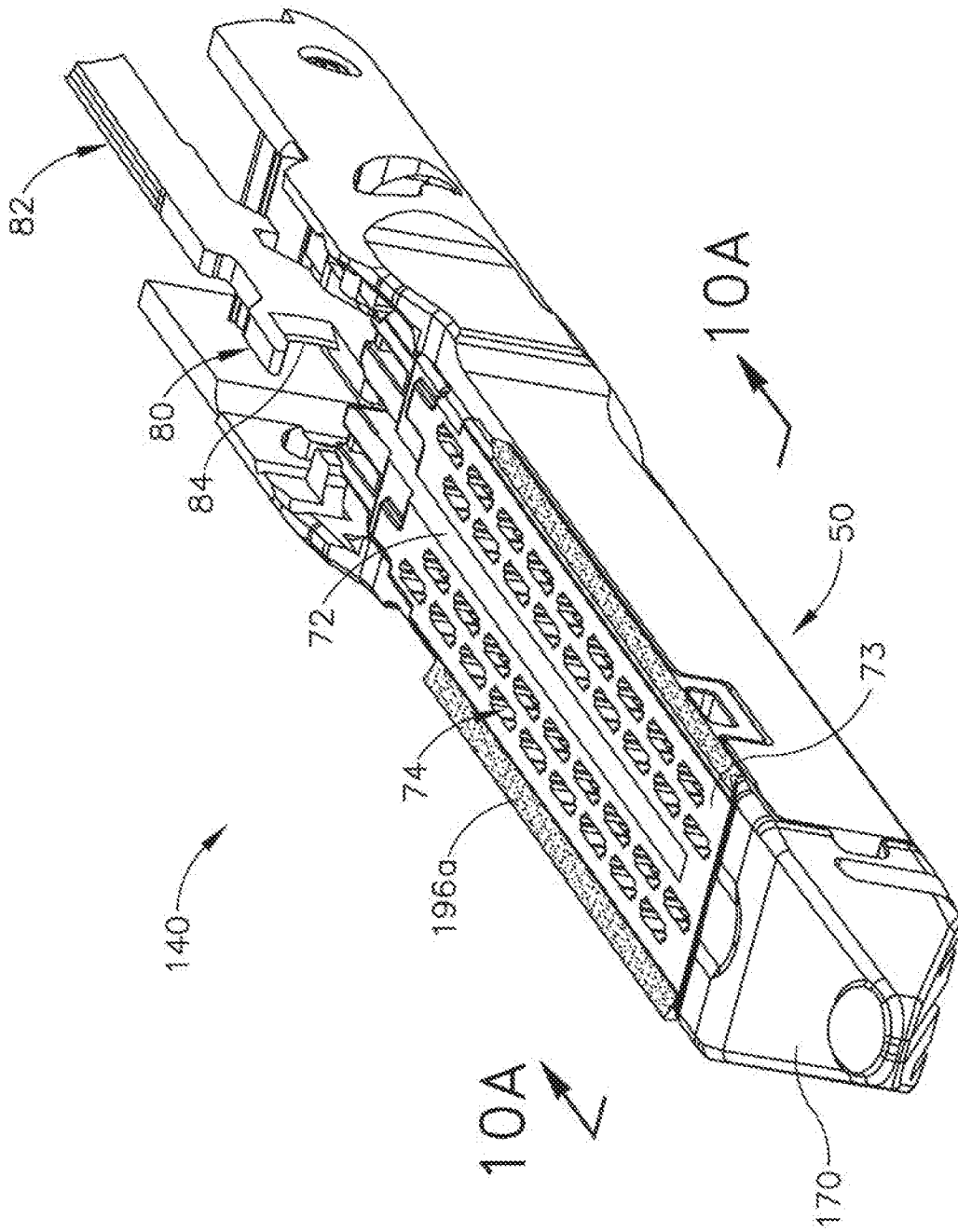


Fig. 9A

11/14

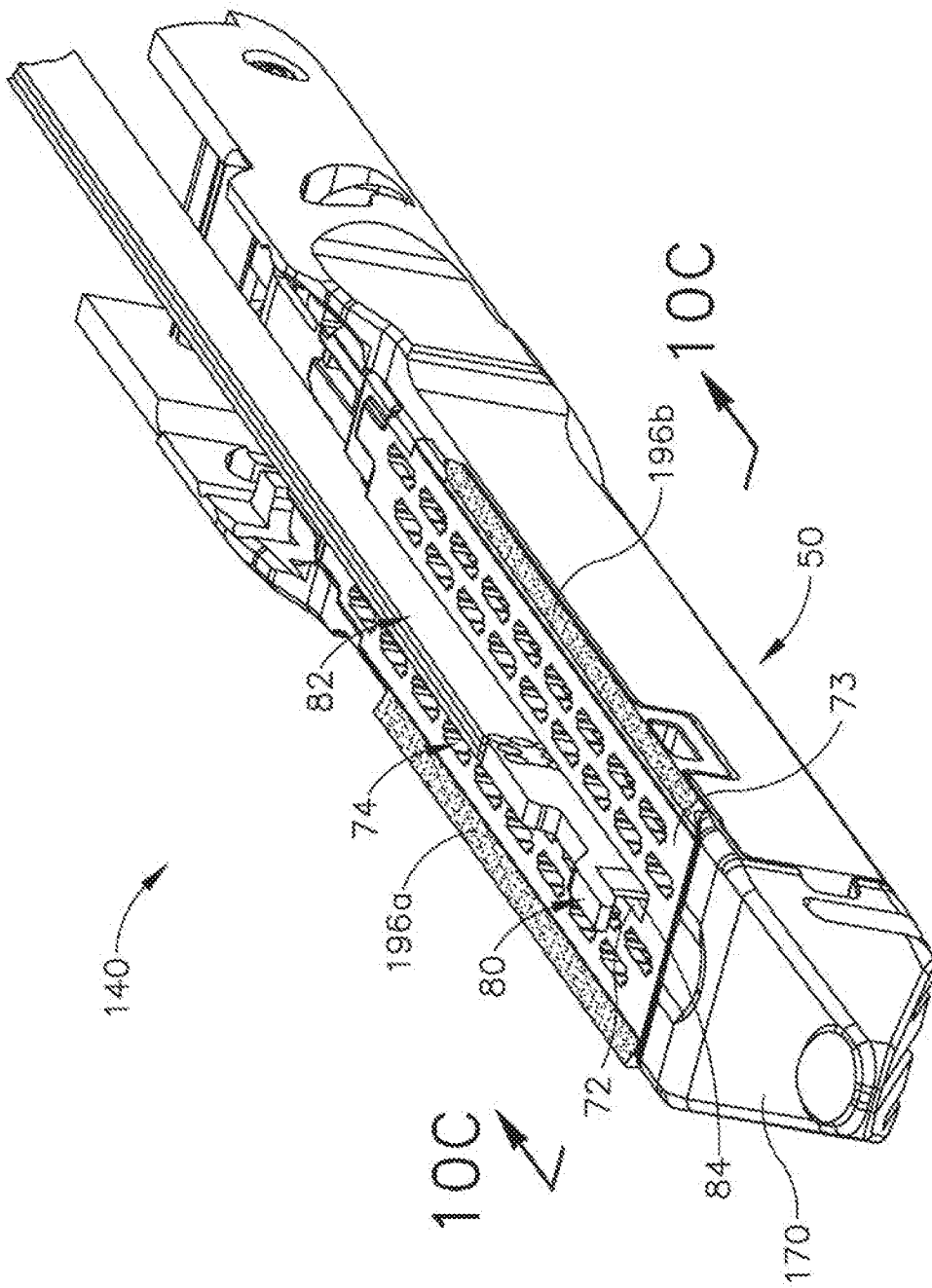


Fig. 9B



12/14

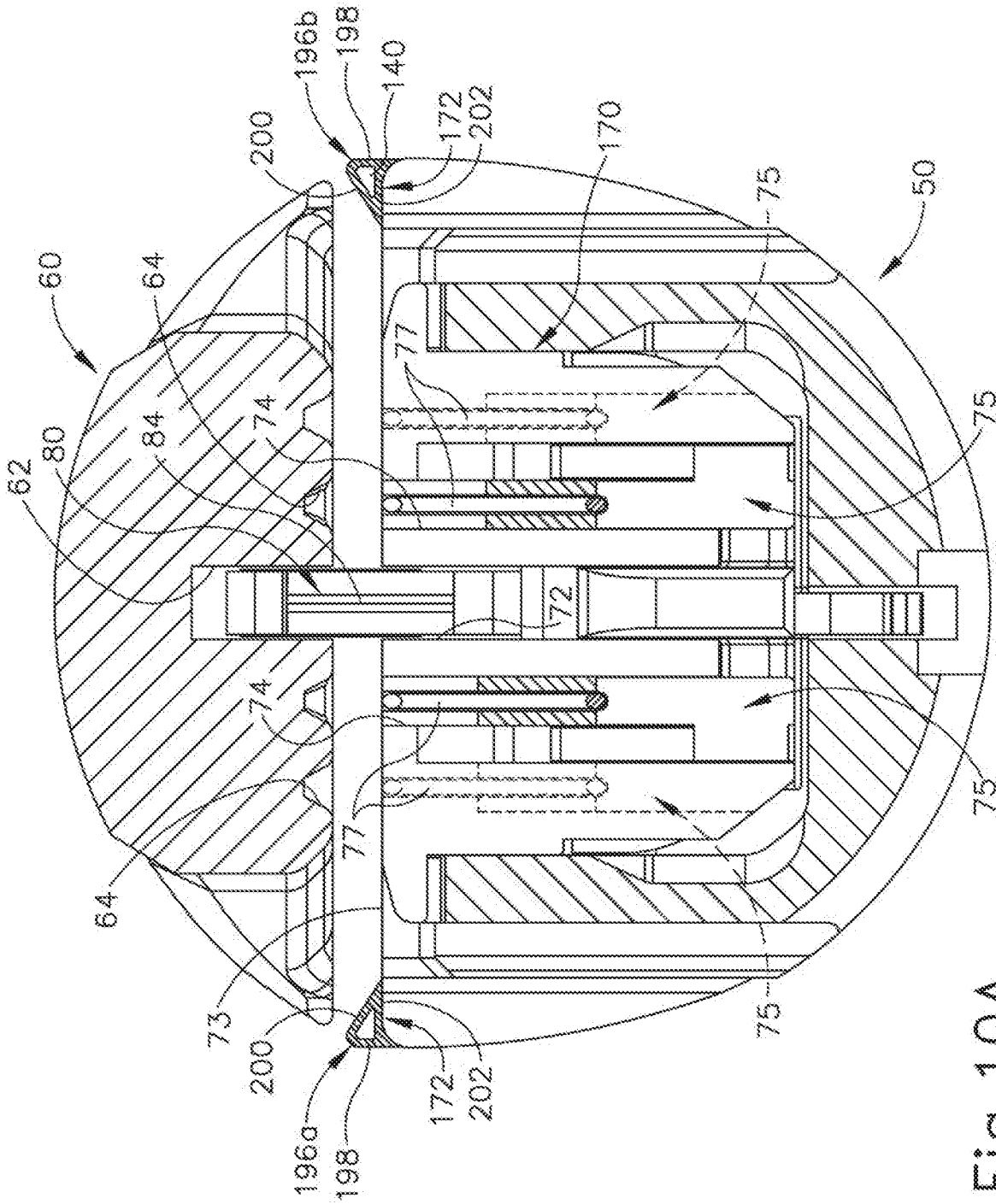


Fig. 10A

13/14

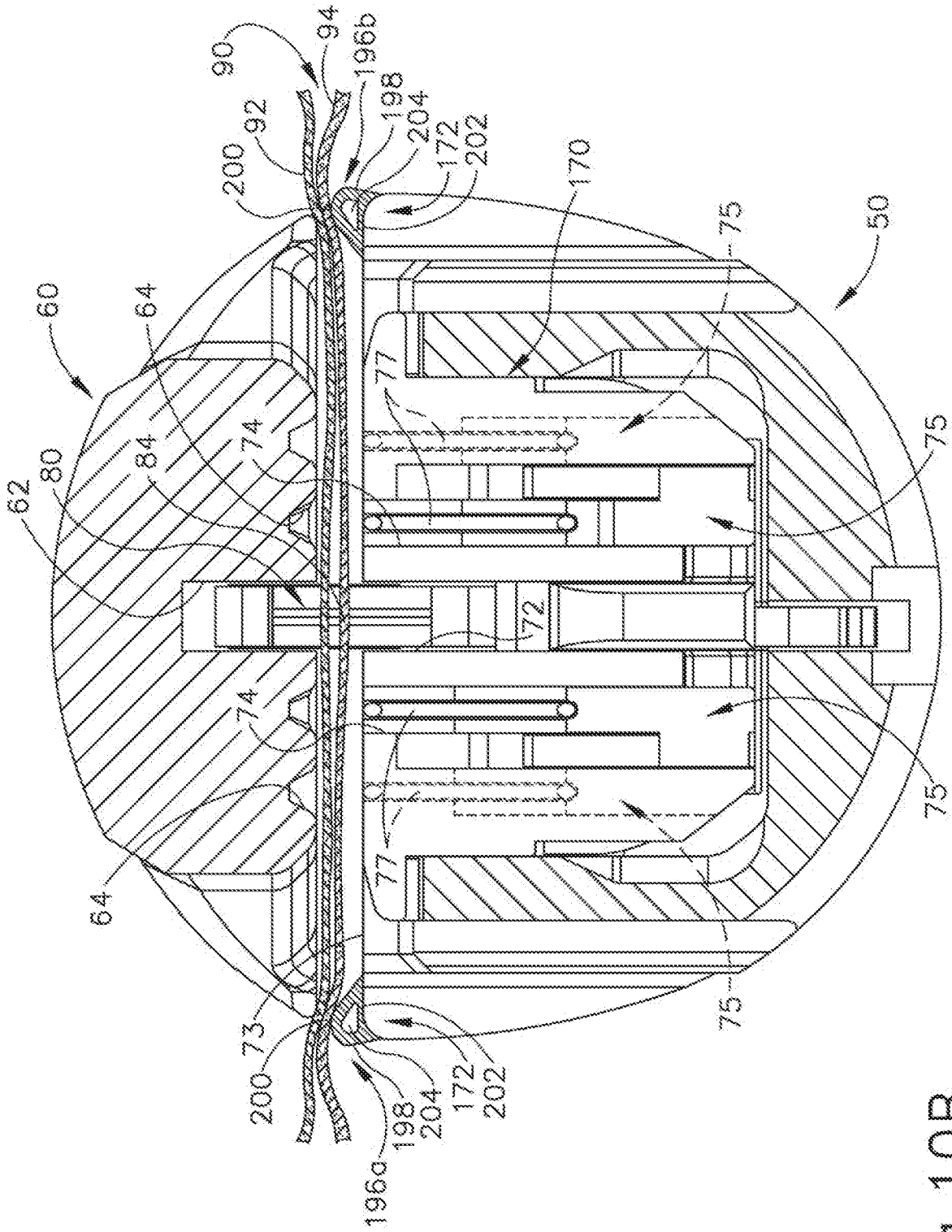


Fig. 10B

14/14

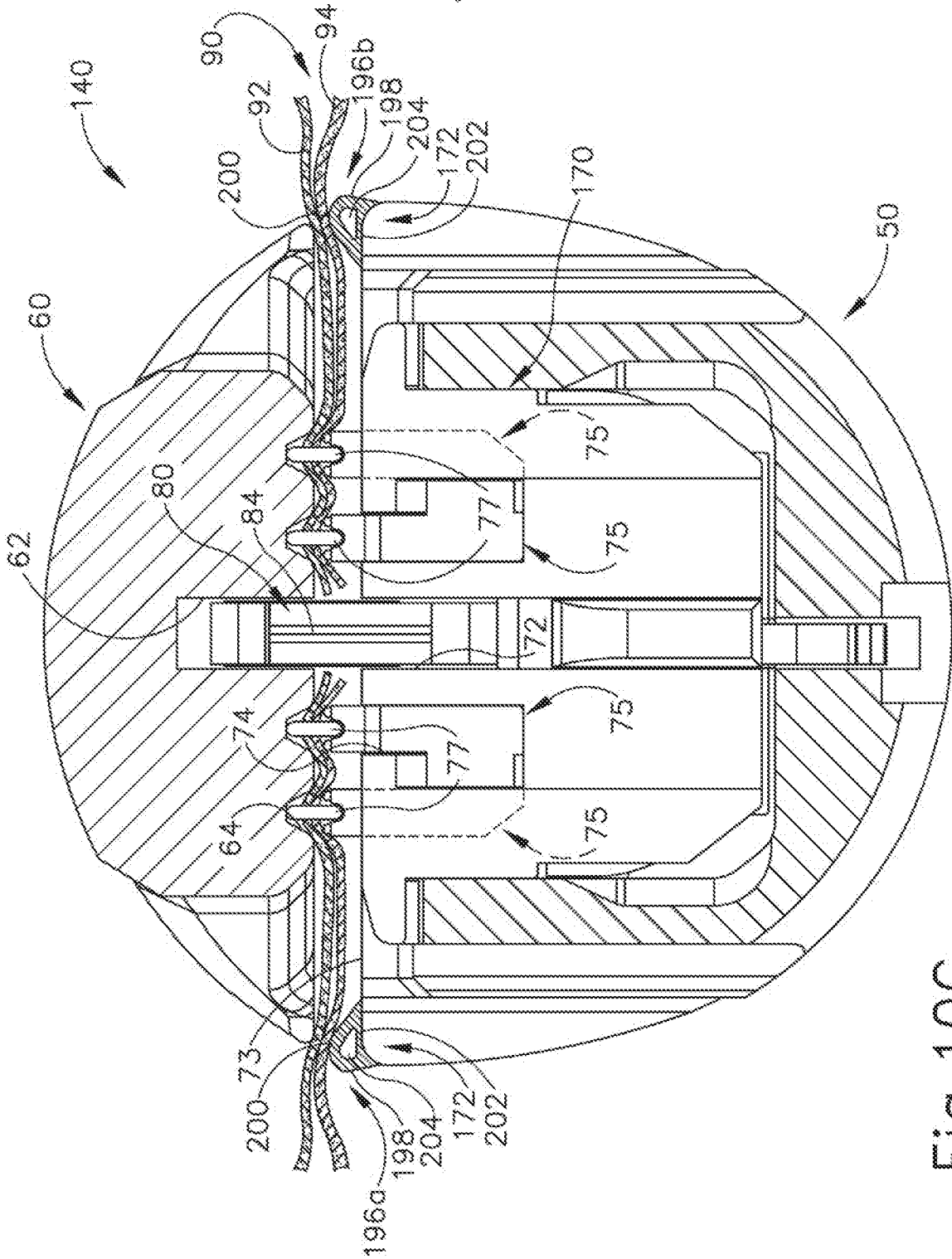


Fig. 10C

# INTERNATIONAL SEARCH REPORT

International application No.  
PCT/US2016/042741

## Box No. II Observations where certain claims were found unsearchable (Continuation of item 2 of first sheet)

This international search report has not been established in respect of certain claims under Article 17(2)(a) for the following reasons:

1.  Claims Nos.: 19, 20  
because they relate to subject matter not required to be searched by this Authority, namely:  
see FURTHER INFORMATION sheet PCT/ISA/210
2.  Claims Nos.:  
because they relate to parts of the international application that do not comply with the prescribed requirements to such an extent that no meaningful international search can be carried out, specifically:
3.  Claims Nos.:  
because they are dependent claims and are not drafted in accordance with the second and third sentences of Rule 6.4(a).

## Box No. III Observations where unity of invention is lacking (Continuation of item 3 of first sheet)

This International Searching Authority found multiple inventions in this international application, as follows:

1.  As all required additional search fees were timely paid by the applicant, this international search report covers all searchable claims.
2.  As all searchable claims could be searched without effort justifying an additional fees, this Authority did not invite payment of additional fees.
3.  As only some of the required additional search fees were timely paid by the applicant, this international search report covers only those claims for which fees were paid, specifically claims Nos.:
4.  No required additional search fees were timely paid by the applicant. Consequently, this international search report is restricted to the invention first mentioned in the claims; it is covered by claims Nos.:

### Remark on Protest

- The additional search fees were accompanied by the applicant's protest and, where applicable, the payment of a protest fee.
- The additional search fees were accompanied by the applicant's protest but the applicable protest fee was not paid within the time limit specified in the invitation.
- No protest accompanied the payment of additional search fees.

INTERNATIONAL SEARCH REPORT

International application No  
PCT/US2016/042741

A. CLASSIFICATION OF SUBJECT MATTER  
INV. A61B17/072  
ADD. A61B17/00

According to International Patent Classification (IPC) or to both national classification and IPC

B. FIELDS SEARCHED

Minimum documentation searched (classification system followed by classification symbols)  
A61B

Documentation searched other than minimum documentation to the extent that such documents are included in the fields searched

Electronic data base consulted during the international search (name of data base and, where practicable, search terms used)  
EPO-Internal, WPI Data

C. DOCUMENTS CONSIDERED TO BE RELEVANT

Category*	Citation of document, with indication, where appropriate, of the relevant passages	Relevant to claim No.
X	US 2012/241497 A1 (MANDAKOLATHUR VASUDEVAN VENKATARAMANAN [IN] ET AL) 27 September 2012 (2012-09-27) paragraph [0696]; figures 1,56,55 paragraph [0697] paragraph [0695]	1-8, 10-13, 15,16
X	US 2012/241492 A1 (SHELTON IV FREDERICK E [US] ET AL) 27 September 2012 (2012-09-27) paragraph [0448]; figure 119 paragraph [0449] paragraph [0450]	1-8, 10-13, 15,16
	----- -/--	

Further documents are listed in the continuation of Box C.

See patent family annex.

\* Special categories of cited documents :

"A" document defining the general state of the art which is not considered to be of particular relevance

"E" earlier application or patent but published on or after the international filing date

"L" document which may throw doubts on priority claim(s) or which is cited to establish the publication date of another citation or other special reason (as specified)

"O" document referring to an oral disclosure, use, exhibition or other means

"P" document published prior to the international filing date but later than the priority date claimed

"T" later document published after the international filing date or priority date and not in conflict with the application but cited to understand the principle or theory underlying the invention

"X" document of particular relevance; the claimed invention cannot be considered novel or cannot be considered to involve an inventive step when the document is taken alone

"Y" document of particular relevance; the claimed invention cannot be considered to involve an inventive step when the document is combined with one or more other such documents, such combination being obvious to a person skilled in the art

"&" document member of the same patent family

Date of the actual completion of the international search  18 October 2016	Date of mailing of the international search report  27/10/2016
--	--

Name and mailing address of the ISA/ European Patent Office, P.B. 5818 Patentlaan 2 NL - 2280 HV Rijswijk Tel. (+31-70) 340-2040, Fax: (+31-70) 340-3016	Authorized officer  Hausmann, Alexander
--	---

## INTERNATIONAL SEARCH REPORT

International application No  
PCT/US2016/042741

C(Continuation). DOCUMENTS CONSIDERED TO BE RELEVANT		
Category*	Citation of document, with indication, where appropriate, of the relevant passages	Relevant to claim No.
X	US 2007/034669 A1 (DE LA TORRE ROGER A [US] ET AL) 15 February 2007 (2007-02-15) paragraph [0052] paragraph [0051] paragraph [0050] paragraph [0052] paragraph [0054] - paragraph [0055] paragraph [0047] -----	1,2,4-6, 9,17

# INTERNATIONAL SEARCH REPORT

Information on patent family members

International application No

PCT/US2016/042741

Patent document cited in search report	Publication date	Patent family member(s)	Publication date
US 2012241497	A1	27-09-2012	CN 104379069 A 25-02-2015
			EP 2644112 A2 02-10-2013
			EP 2644118 A2 02-10-2013
			JP 2015512719 A 30-04-2015
			RU 2014143349 A 20-05-2016
			US 2012241497 A1 27-09-2012
			US 2012312860 A1 13-12-2012
			US 2012318842 A1 20-12-2012
			US 2012318843 A1 20-12-2012
			US 2013256382 A1 03-10-2013
			US 2016000430 A1 07-01-2016
			US 2016199063 A1 14-07-2016
			WO 2013148838 A2 03-10-2013
			WO 2014004195 A1 03-01-2014
			WO 2014004197 A1 03-01-2014
			WO 2014004198 A1 03-01-2014
WO 2014004199 A1 03-01-2014			
US 2012241492	A1	27-09-2012	EP 2644119 A2 02-10-2013
			EP 2644123 A1 02-10-2013
			EP 2644125 A2 02-10-2013
			EP 2653115 A1 23-10-2013
			US 2012241492 A1 27-09-2012
			US 2013256367 A1 03-10-2013
			US 2013256368 A1 03-10-2013
			US 2013256369 A1 03-10-2013
			US 2013256380 A1 03-10-2013
			US 2016192929 A1 07-07-2016
			WO 2013148766 A2 03-10-2013
			WO 2013148825 A1 03-10-2013
			WO 2013148827 A2 03-10-2013
			WO 2013148828 A2 03-10-2013
US 2007034669	A1	15-02-2007	NONE

**FURTHER INFORMATION CONTINUED FROM PCT/ISA/ 210**

Continuation of Box II.1

Claims Nos.: 19, 20

Rule 39.1(iv) PCT. The subject matter of claims 19-20 relates to a method for treatment of the human or animal body by surgery. Therefore a search is not required: The use surgical instrument involves severing tissue. This has to be considered as a surgical step, no search is required. Rule 39.1 (iv) PCT. See also Rule 43 bis PCT.