

(19) World Intellectual Property Organization
International Bureau



(43) International Publication Date
16 November 2006 (16.11.2006)

PCT

(10) International Publication Number
WO 2006/121970 A3

- (51) International Patent Classification:
A61B 17/22 (2006.01) A61B 10/02 (2006.01)
- (21) International Application Number:
PCT/US2006/017619
- (22) International Filing Date: 8 May 2006 (08.05.2006)
- (25) Filing Language: English
- (26) Publication Language: English
- (30) Priority Data:
11/124,827 9 May 2005 (09.05.2005) US
- (71) Applicant (for all designated States except US): BOSTON SCIENTIFIC SCIMED, INC. [US/US]; One Scimed Place, Maple Grove, Minnesota 55311 (US).

AT, AU, AZ, BA, BB, BG, BR, BW, BY, BZ, CA, CH, CN, CO, CR, CU, CZ, DE, DK, DM, DZ, EC, EE, EG, ES, FI, GB, GD, GE, GH, GM, HR, HU, ID, IL, IN, IS, JP, KE, KG, KM, KN, KP, KR, KZ, LC, LK, LR, LS, LT, LU, LV, LY, MA, MD, MG, MK, MN, MW, MX, MZ, NA, NG, NI, NO, NZ, OM, PG, PH, PL, PT, RO, RU, SC, SD, SE, SG, SK, SL, SM, SY, TJ, TM, TN, TR, TT, TZ, UA, UG, US, UZ, VC, VN, YU, ZA, ZM, ZW.

(84) Designated States (unless otherwise indicated, for every kind of regional protection available): ARIPO (BW, GH, GM, KE, LS, MW, MZ, NA, SD, SL, SZ, TZ, UG, ZM, ZW), Eurasian (AM, AZ, BY, KG, KZ, MD, RU, TJ, TM), European (AT, BE, BG, CH, CY, CZ, DE, DK, EE, ES, FI, FR, GB, GR, HU, IE, IS, IT, LT, LU, LV, MC, NL, PL, PT, RO, SE, SI, SK, TR), OAPI (BF, BJ, CF, CG, CI, CM, GA, GN, GQ, GW, ML, MR, NE, SN, TD, TG).

- (72) Inventors; and
- (75) Inventors/Applicants (for US only): LI, Jamie (jianmin) [US/US]; 21 Bartlett Ave., Lexington, Massachusetts 02420 (US). BUCAY-COUTO, Weenna [US/US]; 5 Nichold St., Burlington, Massachusetts 01803 (US).
- (74) Agents: PARK, Keum J. et al.; MAYER & WILLIAMS PC, 251 North Avenue West, 2nd Floor, Westfield, New Jersey 07090 (US).

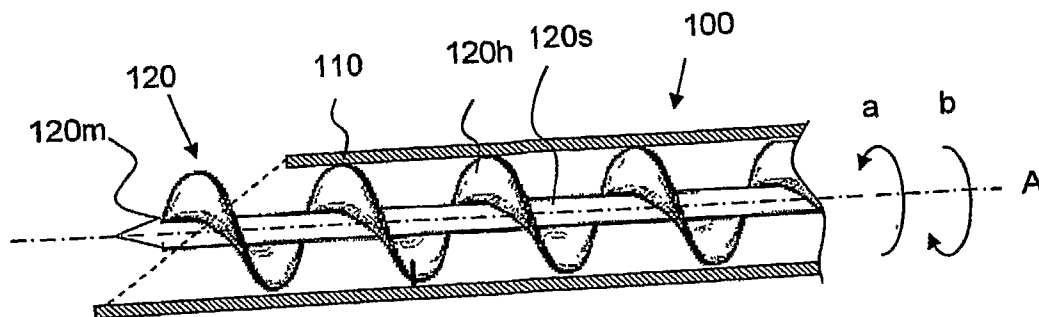
Published:
— with international search report
— before the expiration of the time limit for amending the claims and to be republished in the event of receipt of amendments

(88) Date of publication of the international search report:
22 February 2007

(81) Designated States (unless otherwise indicated, for every kind of national protection available): AE, AG, AL, AM,

For two-letter codes and other abbreviations, refer to the "Guidance Notes on Codes and Abbreviations" appearing at the beginning of each regular issue of the PCT Gazette.

(54) Title: DEVICE FOR TISSUE REMOVAL AND FOR DELIVERY OF A THERAPEUTIC AGENT OR BULKING AGENT



(57) Abstract: According to an aspect of the present invention, a medical device (100) is provided, which comprises the following: (a) a hollow elongate body (110) (e.g., an elongate cylinder, such as a needle) having distal and proximal ends; and (b) a rotatable member (120) comprising a tissue morselizer (120m) and an elongate shaft (120s) (e.g., an auger-like tissue-drilling bit). In the device of the present invention, the elongate shaft is disposed within the hollow elongate body and cooperates with the hollow elongate body to (i) advance material (e.g., morselated tissue) toward the proximal end of the hollow elongate body when the shaft is rotated in a first direction, and (ii) advance material (e.g., a therapeutic agent and/or a bulking agent) toward the distal end of the hollow elongate body when the shaft is rotated in a second direction that is opposite the first direction.

WO 2006/121970 A3

INTERNATIONAL SEARCH REPORT

International application No
PCT/US2006/017619

A. CLASSIFICATION OF SUBJECT MATTER
INV. A61B17/22 A61B10/02

According to International Patent Classification (IPC) or to both national classification and IPC

B. FIELDS SEARCHED

Minimum documentation searched (classification system followed by classification symbols)
A61B

Documentation searched other than minimum documentation to the extent that such documents are included in the fields searched

Electronic data base consulted during the international search (name of data base and, where practical, search terms used)

EPO-Internal

C. DOCUMENTS CONSIDERED TO BE RELEVANT

Category*	Citation of document, with indication, where appropriate, of the relevant passages	Relevant to claim No.
X	WO 94/24941 A (PX HOLDING S.A; DEQUESNE, JACQUES; BERNARD, LIONEL) 10 November 1994 (1994-11-10) page 2, lines 19-25	1-5, 7-13,15, 16,18
Y	page 3, line 18 - page 6, line 16 figures	6
X	US 5 591 187 A (DEKEL ET AL) 7 January 1997 (1997-01-07)	1
Y	column 4, line 15 - column 6, line 47	6
A	figures	3
X	US 2003/114875 A1 (SJOSTROM DOUGLAS D) 19 June 2003 (2003-06-19)	1-3,6,8, 9,11, 14-17
	paragraph [0003] - paragraph [0010] paragraph [0021] - paragraph [0030] figures	

Further documents are listed in the continuation of Box C.

See patent family annex.

* Special categories of cited documents :

- "A" document defining the general state of the art which is not considered to be of particular relevance
- "E" earlier document but published on or after the international filing date
- "L" document which may throw doubts on priority claim(s) or which is cited to establish the publication date of another citation or other special reason (as specified)
- "O" document referring to an oral disclosure, use, exhibition or other means
- "P" document published prior to the international filing date but later than the priority date claimed

- "T" later document published after the international filing date or priority date and not in conflict with the application but cited to understand the principle or theory underlying the invention
- "X" document of particular relevance; the claimed invention cannot be considered novel or cannot be considered to involve an inventive step when the document is taken alone
- "Y" document of particular relevance; the claimed invention cannot be considered to involve an inventive step when the document is combined with one or more other such documents, such combination being obvious to a person skilled in the art.
- "&" document member of the same patent family

Date of the actual completion of the international search

2 October 2006

Date of mailing of the international search report

15. 12. 2006

Name and mailing address of the ISA/

European Patent Office, P.B. 5318 Patentlaan 2
NL - 2280 HV Rijswijk
Tel. (+31-70) 340-2040, Tx. 31 651 epo nl,
Fax: (+31-70) 340-3016

Authorized officer

Nistor, Loredana

INTERNATIONAL SEARCH REPORT

International application No.
PCT/US2006/017619

Box II Observations where certain claims were found unsearchable (Continuation of item 2 of first sheet)

This International Search Report has not been established in respect of certain claims under Article 17(2)(a) for the following reasons:

1. Claims Nos.: 25-29
because they relate to subject matter not required to be searched by this Authority, namely:
Rule 39.1(iv) PCT - Method for treatment of the human or animal body by surgery
Rule 39.1(iv) PCT - Method for treatment of the human or animal body by therapy
2. Claims Nos.:
because they relate to parts of the International Application that do not comply with the prescribed requirements to such an extent that no meaningful International Search can be carried out, specifically:
3. Claims Nos.:
because they are dependent claims and are not drafted in accordance with the second and third sentences of Rule 6.4(a).

Box III Observations where unity of invention is lacking (Continuation of item 3 of first sheet)

This International Searching Authority found multiple inventions in this international application, as follows:

see additional sheet

1. As all required additional search fees were timely paid by the applicant, this International Search Report covers all searchable claims.
2. As all searchable claims could be searched without effort justifying an additional fee, this Authority did not invite payment of any additional fee.
3. As only some of the required additional search fees were timely paid by the applicant, this International Search Report covers only those claims for which fees were paid, specifically claims Nos.:
4. No required additional search fees were timely paid by the applicant. Consequently, this International Search Report is restricted to the invention first mentioned in the claims; it is covered by claims Nos.:

Remark on Protest

- The additional search fees were accompanied by the applicant's protest.
 No protest accompanied the payment of additional search fees.

FURTHER INFORMATION CONTINUED FROM PCT/ISA/ 210

This International Searching Authority found multiple (groups of) inventions in this international application, as follows:

1. claims: 1-18

A medical device comprising a hollow elongate body and a rotatable member comprising a tissue morselizer and an elongate shaft which cooperates with the hollow elongate body to advance a material, the hollow elongate member further comprising a side port.

1.1. claim: 14

A medical device comprising a hollow elongate body and a rotatable member comprising a tissue morselizer and an elongate shaft, which cooperates with the hollow elongate body to advance a material, the elongate shaft being hollow.

1.2. claim: 17

A medical device comprising a hollow elongate body and a rotatable member comprising a tissue morselizer and an elongate shaft, which cooperates with the hollow elongate body to advance a material, the medical device further comprising one of a vacuum source or an irrigation source..

2. claims: 19-24

A medical device comprising a hollow elongate body and a rotatable member comprising a tissue morselizer and an elongate shaft, which cooperates with the hollow elongate body to advance a material , the device further comprising a source of at least one of a therapeutic agent and a bulking agent.

INTERNATIONAL SEARCH REPORT

Information on patent family members

International application No PCT/US2006/017619

Patent document cited in search report	Publication date	Patent family member(s)	Publication date
WO 9424941	A	AU 6436594 A	21-11-1994
US 5591187	A	NONE	
US 2003114875	A1	AU 2002361734 A1	30-06-2003
		EP 1455663 A1	15-09-2004
		JP 2005512631 T	12-05-2005
		WO 03051209 A1	26-06-2003