



US00D445449S

(12) **United States Design Patent**
Takenouchi et al.

(10) **Patent No.:** **US D445,449 S**

(45) **Date of Patent:** **** Jul. 24, 2001**

(54) **ELECTRONIC PRINTER**

(75) Inventors: **Masaaki Takenouchi; Rie Takada;**
Hiroshi Nakada, all of Yokohama (JP);
William T. Clark, Rochester, NY (US)

(73) Assignee: **Fuji Xerox Co., Ltd.**, Tokyo (JP)

(**) Term: **14 Years**

(21) Appl. No.: **29/108,758**

(22) Filed: **Aug. 4, 1999**

(30) **Foreign Application Priority Data**

Feb. 9, 1999 (JP) 11-2779

(51) **LOC (7) Cl.** **18-99**

(52) **U.S. Cl.** **D18/53**

(58) **Field of Search** D18/53-56, 36-40,
D18/44; D6/432, 440, 445, 446; D14/100,
102; 399/107, 391-399, 361, 367, 381;
400/690-694, 690.4, 613, 613.1-613.4

(56) **References Cited**

U.S. PATENT DOCUMENTS

D. 313,617 * 1/1991 Kosako et al. D18/37

D. 339,151 * 9/1993 Ratzlaff D18/36
D. 339,152 * 9/1993 Hirose et al. D18/39
D. 371,573 * 7/1996 Takahashi D18/36
D. 413,140 * 8/1999 Ishida et al. D18/53
D. 423,042 * 4/2000 Koc et al. D18/53
D. 424,101 * 5/2000 Takeuchi D18/53

* cited by examiner

Primary Examiner—Melody N. Brown

(74) *Attorney, Agent, or Firm*—Olliff & Berridge, PLC

(57) **CLAIM**

The ornamental design for an electronic printer, as shown and described.

DESCRIPTION

FIG. 1 is a perspective view of the top, front and left side of an electronic printer showing our new design;

FIG. 2 is a front view thereof;

FIG. 3 is a top plan view thereof;

FIG. 4 is a right side view thereof;

FIG. 5 is a left side view thereof;

FIG. 6 is a rear view thereof; and,

FIG. 7 is a bottom view thereof.

1 Claim, 7 Drawing Sheets

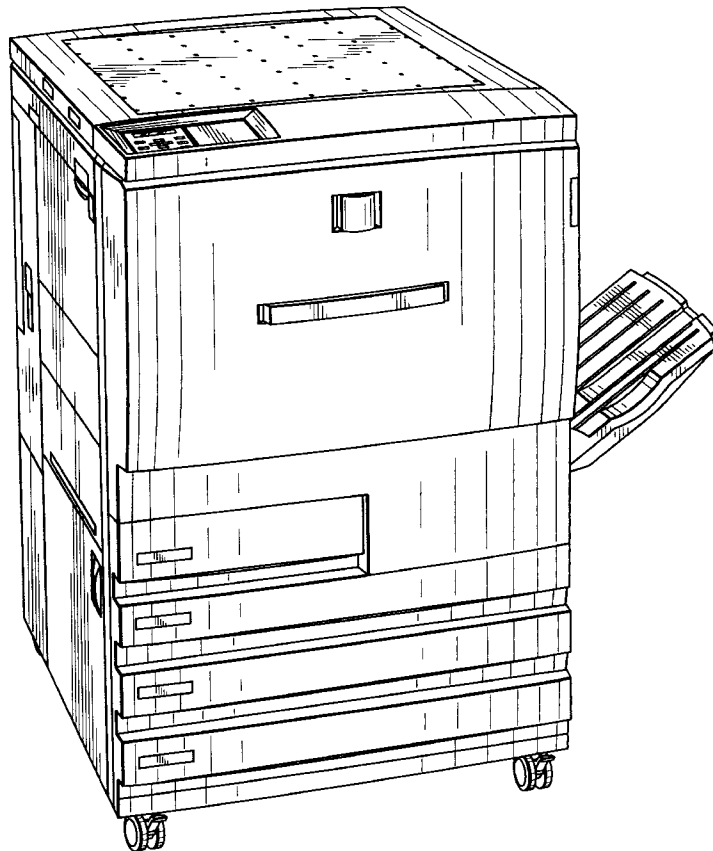


FIG. 1

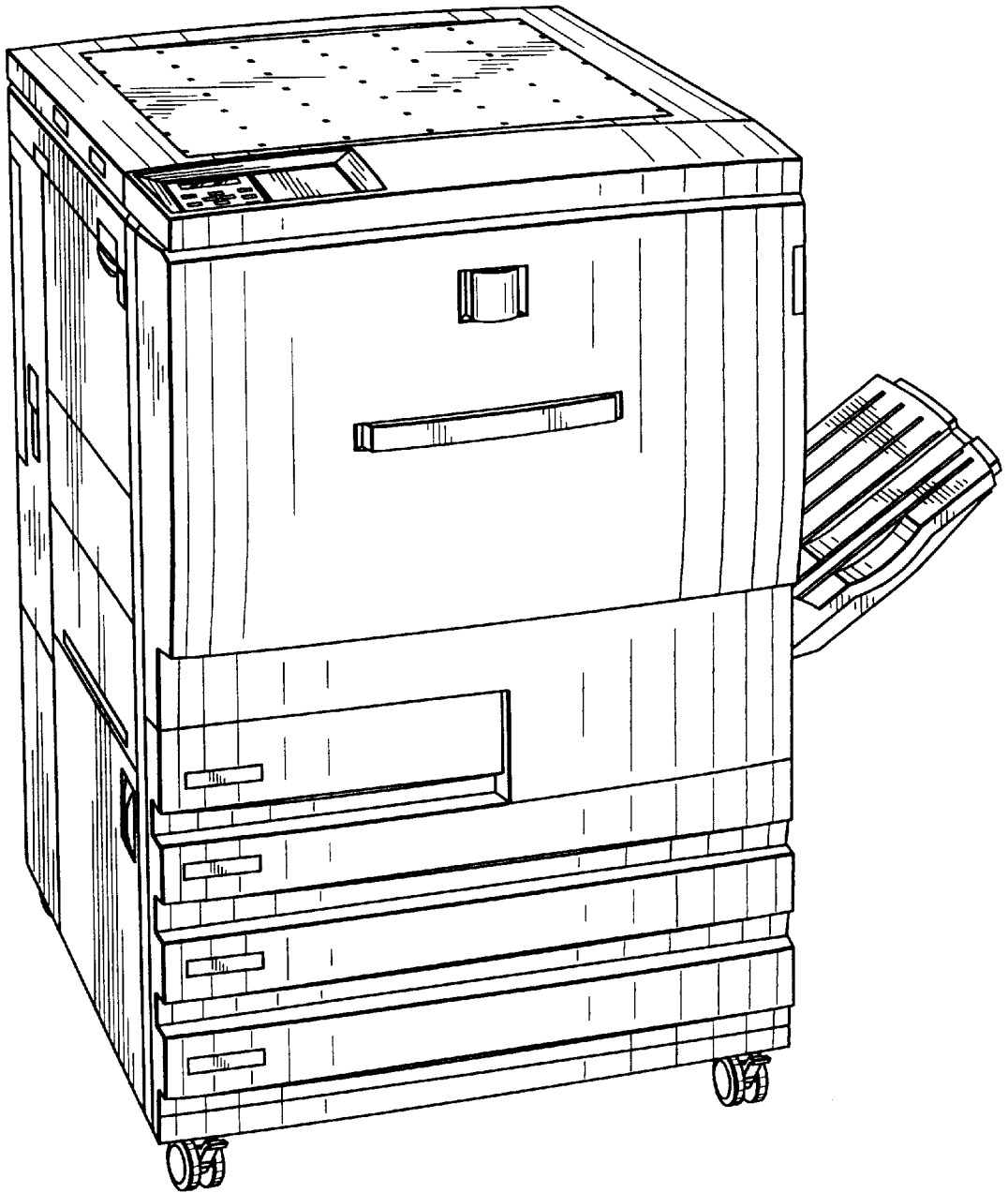


FIG. 2

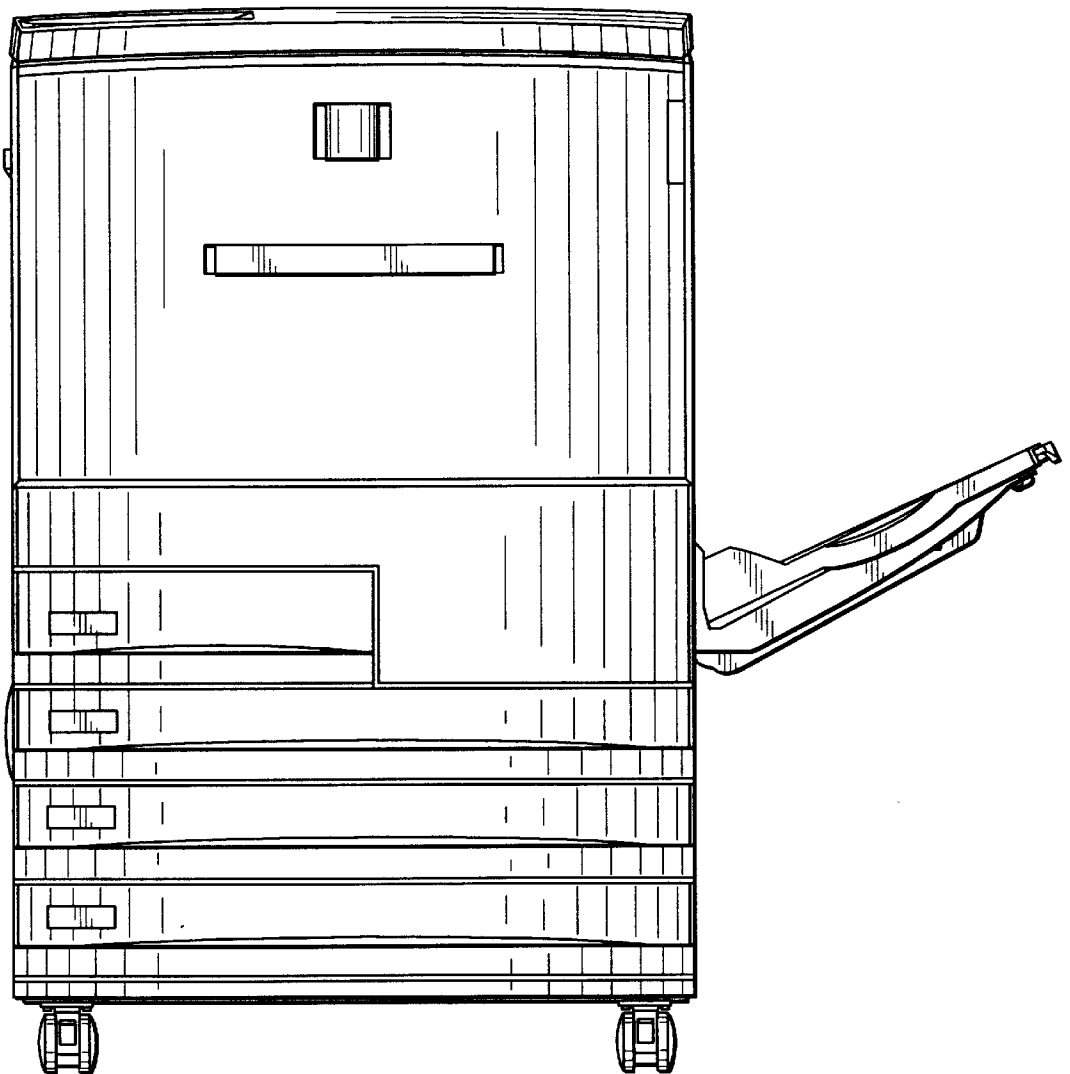


FIG. 3

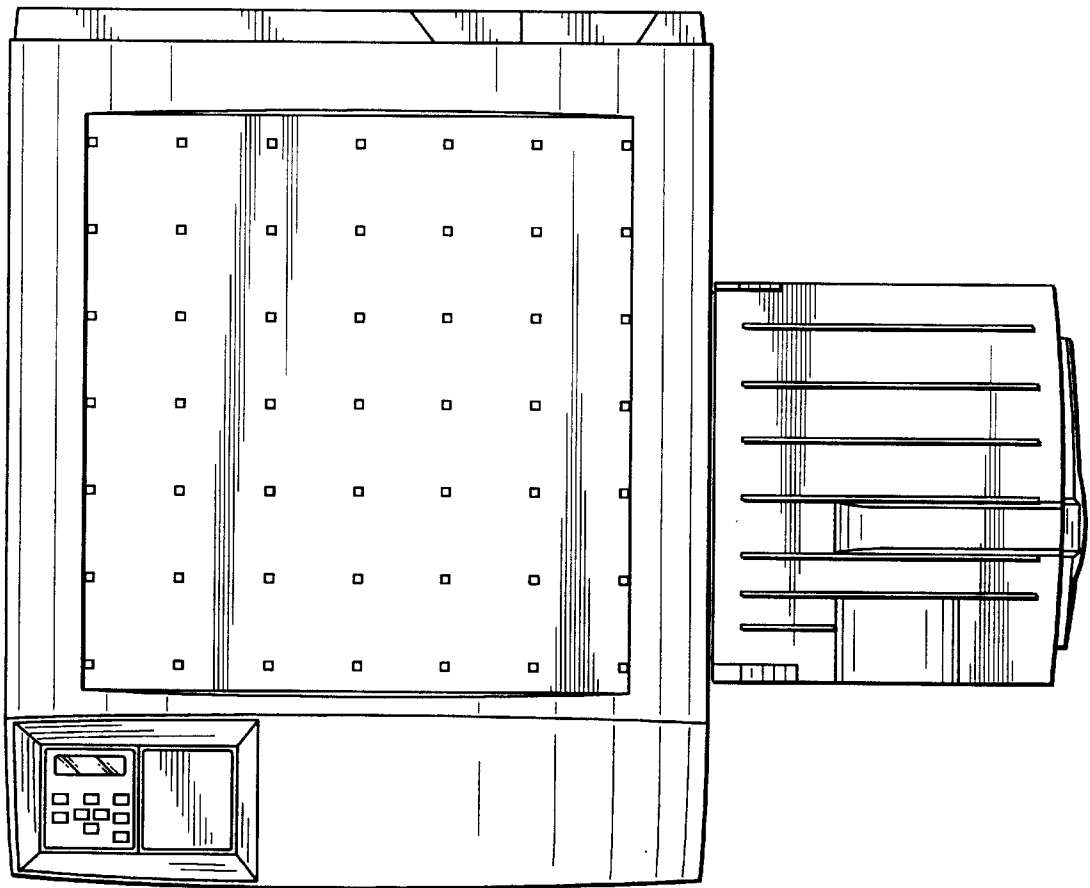


FIG. 4

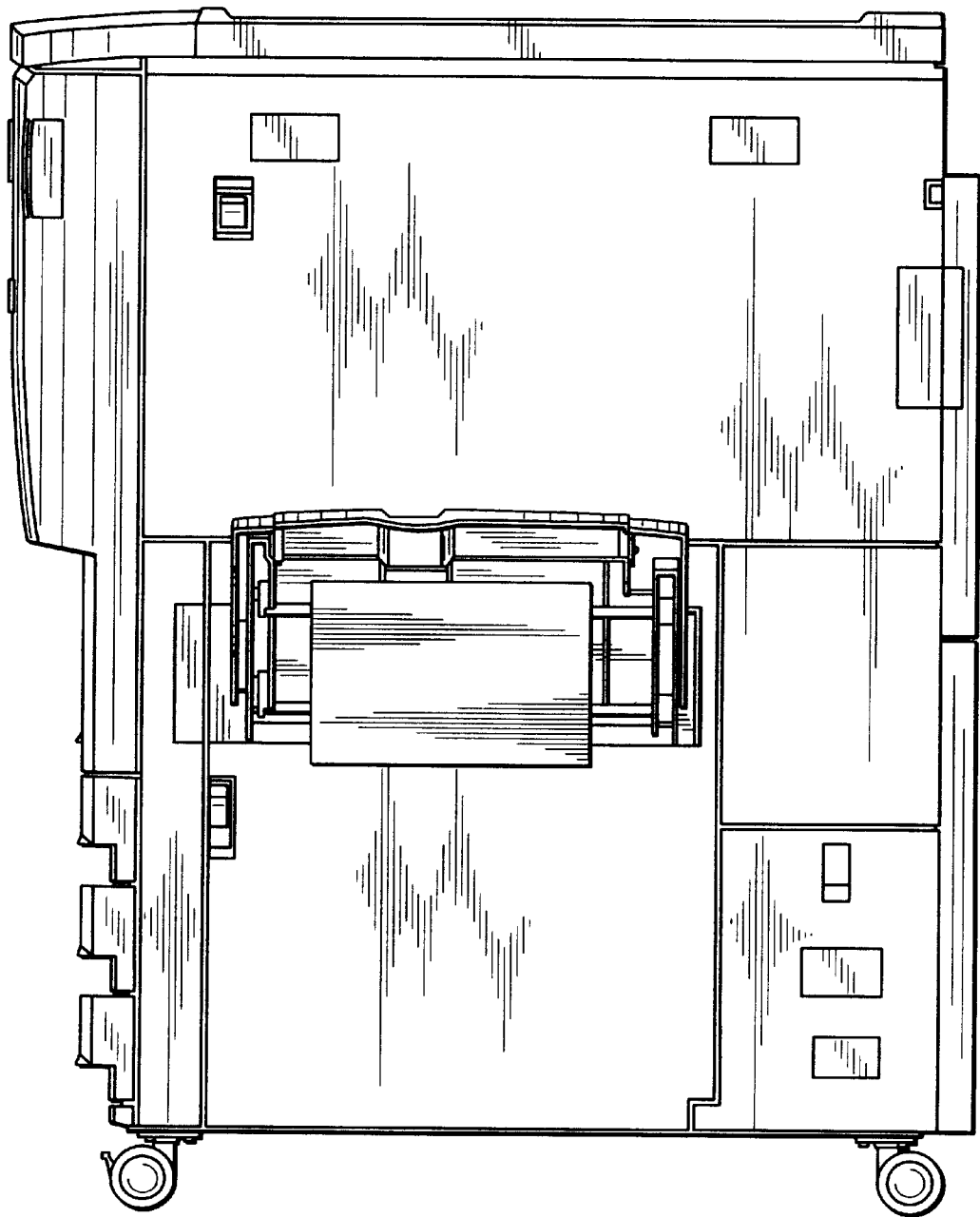


FIG. 5

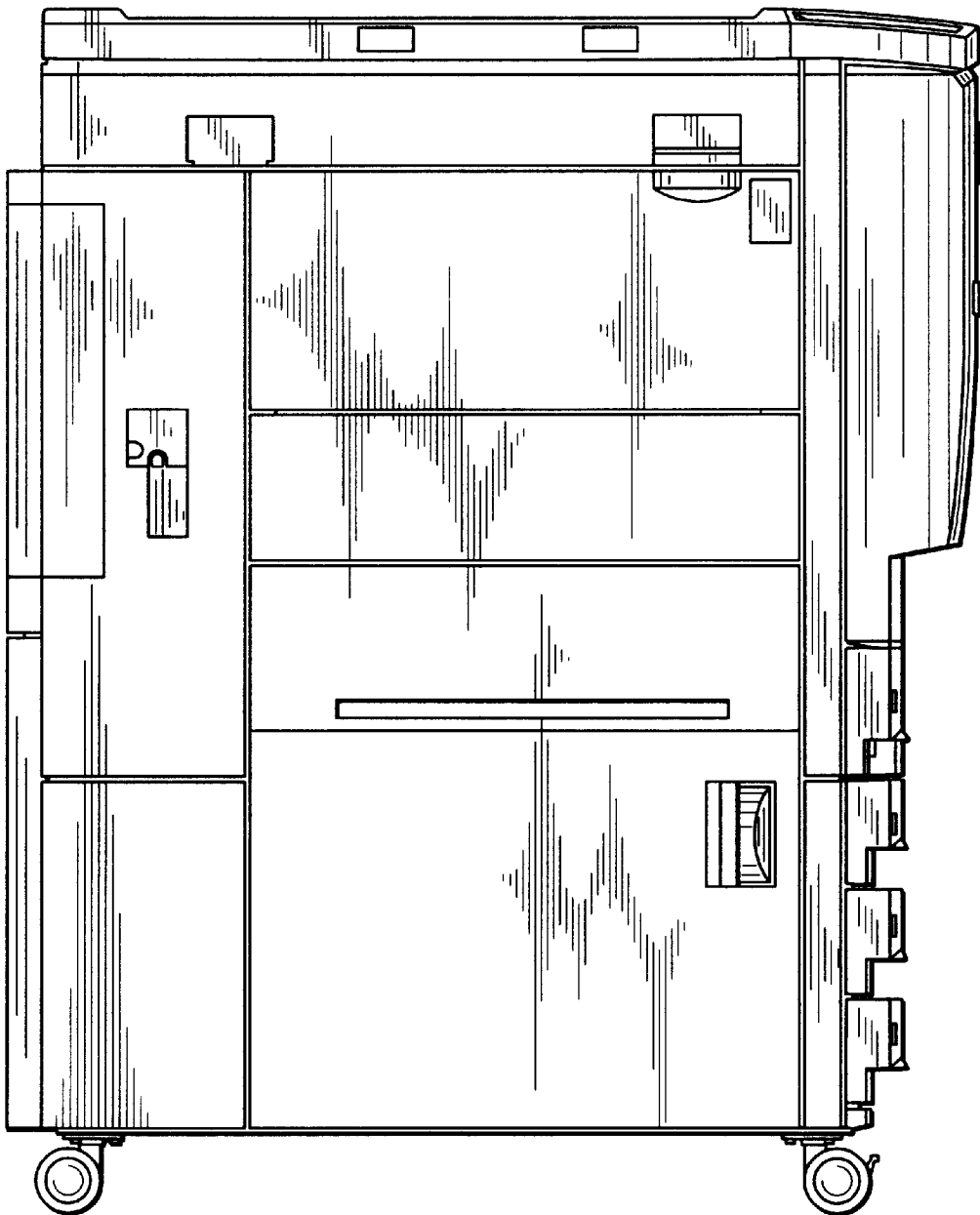


FIG. 6

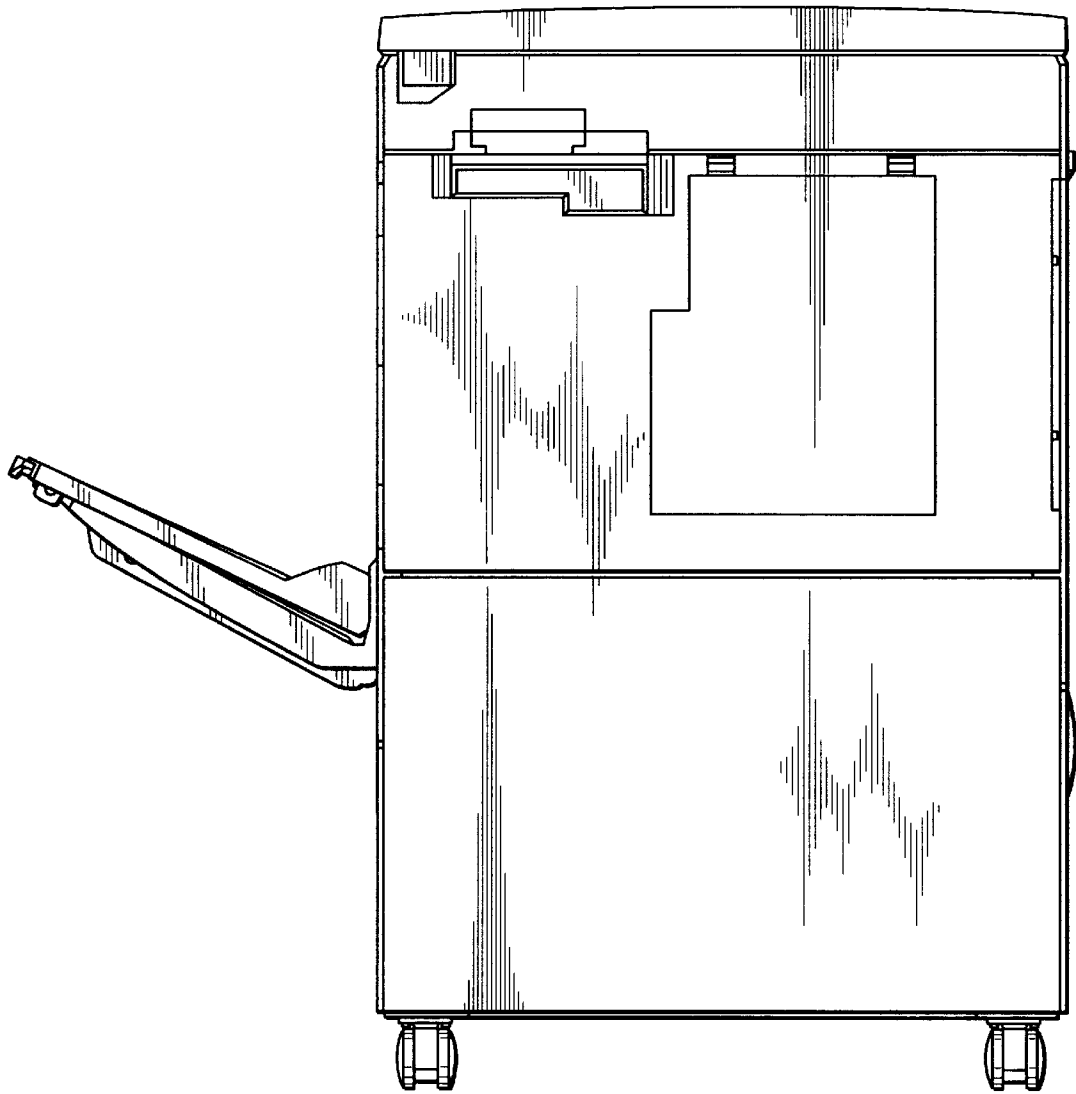


FIG. 7

