



(51) International Patent Classification:  
F24C 15/32 (2006.01)

(21) International Application Number:  
PCT/US2015/064877

(22) International Filing Date:  
10 December 2015 (10.12.2015)

(25) Filing Language: English

(26) Publication Language: English

(30) Priority Data:  
62/095,924 23 December 2014 (23.12.2014) US

(71) Applicant: MIDDLEBY MARSHALL HOLDINGS LLC D/B/A NUVU FOOD SERVICE SYSTEMS [US/US]; 5600 13th Street, Menominee, MI 49858 (US).

(72) Inventors: DEMING, Matthew, E.; N2642 Poplar Ridge Lane, Peshtigo, WI 54157 (US). HALPIN, Mark, E.; 29 Pristine Drive, Plattsburgh, NY 12901 (US). TRESSER, Sarah, J.; 236 Zephyr Road, Apt. 113, Williston, VT 05495 (US). EWING, Jonathan, D.; 672 Severance Road, Colchester, VT 05446 (US). PREAVY, Sean M.; 25 Lamoille Street, Essex Junction, Vermont 05452 (US).

SWAYZE, Daniel J.; 100 Lamoille Bluff #3, Colchester, Vermont 05446 (US).

(74) Agent: SMITH, Stephen, C.; Brinks Gilson & Lione, P.O. Box 10087, Chicago, IL 60610 (US).

(81) Designated States (unless otherwise indicated, for every kind of national protection available): AE, AG, AL, AM, AO, AT, AU, AZ, BA, BB, BG, BH, BN, BR, BW, BY, BZ, CA, CH, CL, CN, CO, CR, CU, CZ, DE, DK, DM, DO, DZ, EC, EE, EG, ES, FI, GB, GD, GE, GH, GM, GT, HN, HR, HU, ID, IL, IN, IR, IS, JP, KE, KG, KN, KP, KR, KZ, LA, LC, LK, LR, LS, LU, LY, MA, MD, ME, MG, MK, MN, MW, MX, MY, MZ, NA, NG, NI, NO, NZ, OM, PA, PE, PG, PH, PL, PT, QA, RO, RS, RU, RW, SA, SC, SD, SE, SG, SK, SL, SM, ST, SV, SY, TH, TJ, TM, TN, TR, TT, TZ, UA, UG, US, UZ, VC, VN, ZA, ZM, ZW.

(84) Designated States (unless otherwise indicated, for every kind of regional protection available): ARIPO (BW, GH, GM, KE, LR, LS, MW, MZ, NA, RW, SD, SL, ST, SZ, TZ, UG, ZM, ZW), Eurasian (AM, AZ, BY, KG, KZ, RU, TJ, TM), European (AL, AT, BE, BG, CH, CY, CZ, DE, DK, EE, ES, FI, FR, GB, GR, HR, HU, IE, IS, IT, LT, LU, LV, MC, MK, MT, NL, NO, PL, PT, RO, RS, SE, SI, SK,

[Continued on next page]

(54) Title: FORCED MOISTURE EVACUATION FOR RAPID BAKING OR COOKING

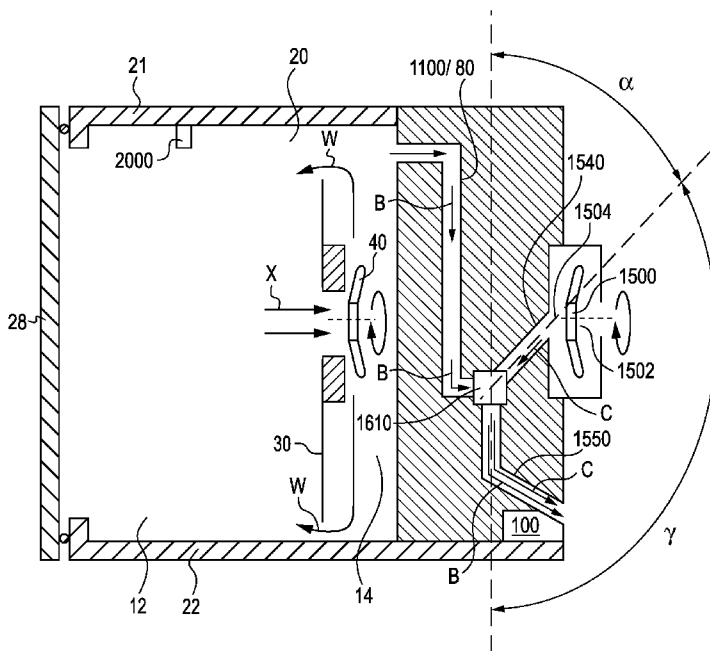


FIG. 7

(57) Abstract: A baking device is provided. The baking device includes a housing enclosing a baking compartment, the baking compartment enclosed by top and bottom walls, right and left walls, and a door that is pivotably mounted to the housing, the housing further comprising a vent that fluidly connects the baking compartment to the atmosphere and is arranged to allow fluid communication of air within the baking compartment to exit the housing. A blower arranged in fluid communication with the housing, and configured to, when operating, urge air into the baking compartment from the ambient, wherein operation of the blower forces air from within the baking compartment to flow out of the housing to an environment outside of the housing through the vent.





SM, TR), OAPI (BF, BJ, CF, CG, CI, CM, GA, GN, GQ,  
GW, KM, ML, MR, NE, SN, TD, TG).

— *before the expiration of the time limit for amending the  
claims and to be republished in the event of receipt of  
amendments (Rule 48.2(h))*

**Published:**

— *with international search report (Art. 21(3))*

**(88) Date of publication of the international search report:**

1 September 2016

INTERNATIONAL SEARCH REPORT

International application No  
PCT/US2015/064877

A. CLASSIFICATION OF SUBJECT MATTER  
INV. F24C15/32  
ADD.  
According to International Patent Classification (IPC) or to both national classification and IPC

B. FIELDS SEARCHED  
Minimum documentation searched (classification system followed by classification symbols)  
F24C

Documentation searched other than minimum documentation to the extent that such documents are included in the fields searched

Electronic data base consulted during the international search (name of data base and, where practicable, search terms used)  
EPO-Internal, WPI Data

C. DOCUMENTS CONSIDERED TO BE RELEVANT

Category*	Citation of document, with indication, where appropriate, of the relevant passages	Relevant to claim No.
X	EP 2 687 787 A2 (SAMSUNG ELECTRONICS CO LTD [KR]) 22 January 2014 (2014-01-22)	1-3,7-9
Y	paragraphs [0044], [0003], [0048],	4
A	[0049]; figures 2-5	5,6, 10-15
Y	----- EP 2 786 659 A1 (CONVOTHERM ELEKTROGERÄTE GMBH [DE]) 8 October 2014 (2014-10-08)	4
E	paragraphs [0023], [0032]; figure 6	
E	----- EP 3 013 148 A1 (MIDDLEBY MARSHALL HOLDINGS LLC D B A [US])	5,6
A	4 May 2016 (2016-05-04) the whole document	
A	----- DE 102 45 773 C1 (WIESHEU GMBH [DE])	1
	4 December 2003 (2003-12-04) the whole document	
	----- -/--	

Further documents are listed in the continuation of Box C.

See patent family annex.

\* Special categories of cited documents :

- "A" document defining the general state of the art which is not considered to be of particular relevance
- "E" earlier application or patent but published on or after the international filing date
- "L" document which may throw doubts on priority claim(s) or which is cited to establish the publication date of another citation or other special reason (as specified)
- "O" document referring to an oral disclosure, use, exhibition or other means
- "P" document published prior to the international filing date but later than the priority date claimed

- "T" later document published after the international filing date or priority date and not in conflict with the application but cited to understand the principle or theory underlying the invention
- "X" document of particular relevance; the claimed invention cannot be considered novel or cannot be considered to involve an inventive step when the document is taken alone
- "Y" document of particular relevance; the claimed invention cannot be considered to involve an inventive step when the document is combined with one or more other such documents, such combination being obvious to a person skilled in the art
- "&" document member of the same patent family

Date of the actual completion of the international search

15 June 2016

Date of mailing of the international search report

11/07/2016

Name and mailing address of the ISA/

European Patent Office, P.B. 5818 Patentlaan 2  
NL - 2280 HV Rijswijk  
Tel. (+31-70) 340-2040,  
Fax: (+31-70) 340-3016

Authorized officer

Rodriguez, Alexander

# INTERNATIONAL SEARCH REPORT

International application No  
PCT/US2015/064877

C(Continuation). DOCUMENTS CONSIDERED TO BE RELEVANT		
Category*	Citation of document, with indication, where appropriate, of the relevant passages	Relevant to claim No.
A	DE 10 2007 023767 A1 (RATIONAL AG [DE]) 27 November 2008 (2008-11-27) paragraph [0021]; figure 1 -----	5,6

# INTERNATIONAL SEARCH REPORT

International application No.  
PCT/US2015/064877

## Box No. II Observations where certain claims were found unsearchable (Continuation of item 2 of first sheet)

This international search report has not been established in respect of certain claims under Article 17(2)(a) for the following reasons:

1.  Claims Nos.:  
because they relate to subject matter not required to be searched by this Authority, namely:
  
2.  Claims Nos.:  
because they relate to parts of the international application that do not comply with the prescribed requirements to such an extent that no meaningful international search can be carried out, specifically:
  
3.  Claims Nos.:  
because they are dependent claims and are not drafted in accordance with the second and third sentences of Rule 6.4(a).

## Box No. III Observations where unity of invention is lacking (Continuation of item 3 of first sheet)

This International Searching Authority found multiple inventions in this international application, as follows:

see additional sheet

1.  As all required additional search fees were timely paid by the applicant, this international search report covers all searchable claims.
  
2.  As all searchable claims could be searched without effort justifying an additional fees, this Authority did not invite payment of additional fees.
  
3.  As only some of the required additional search fees were timely paid by the applicant, this international search report covers only those claims for which fees were paid, specifically claims Nos.:
  
4.  No required additional search fees were timely paid by the applicant. Consequently, this international search report is restricted to the invention first mentioned in the claims; it is covered by claims Nos.:

### Remark on Protest

- The additional search fees were accompanied by the applicant's protest and, where applicable, the payment of a protest fee.
- The additional search fees were accompanied by the applicant's protest but the applicable protest fee was not paid within the time limit specified in the invitation.
- No protest accompanied the payment of additional search fees.

**FURTHER INFORMATION CONTINUED FROM PCT/ISA/ 210**

This International Searching Authority found multiple (groups of) inventions in this international application, as follows:

1. claims: 1-4, 7-9

the vent is in gaseous communication with a drain from the housing such that the air that flows from the housing to the vent initially flows through the drain

---

2. claims: 5, 6

a flapper disposed in gaseous communication with a discharge of the blower, such that the flapper prevents backflow of air into the blower from the housing when in a closed position, but allows the flow of air from the blower into the housing when opened

---

3. claims: 10-15

receiving an unrisen food, allowing the unrisen food product to rest within the baking compartment for a time, operating a secondary blower after the time to allow the unrisen food product to rise is complete, wherein the secondary blower is gaseously connected to an environment outside of the housing with a first flow path, and the vent path is aligned with respect to the first flow path such that air flowing through the vent path merges with air flowing through the first flow path, such that flow of air from the blower through the first flow path urges air to flow through the vent path toward the first flow path

---

# INTERNATIONAL SEARCH REPORT

Information on patent family members

International application No

PCT/US2015/064877

Patent document cited in search report	Publication date	Patent family member(s)	Publication date	
EP 2687787	A2	22-01-2014	CN 103720374 A	16-04-2014
			EP 2687787 A2	22-01-2014
			KR 20140012476 A	03-02-2014
			US 2014020670 A1	23-01-2014
-----				
EP 2786659	A1	08-10-2014	CN 104094985 A	15-10-2014
			CN 204070288 U	07-01-2015
			EP 2786659 A1	08-10-2014
			US 2014291312 A1	02-10-2014
			WO 2014162185 A1	09-10-2014
-----				
EP 3013148	A1	04-05-2016	AU 2014284697 A1	11-02-2016
			CA 2916186 A1	08-01-2015
			EP 3013148 A1	04-05-2016
			US 2015004296 A1	01-01-2015
			US 2016066586 A1	10-03-2016
			WO 2015002678 A1	08-01-2015
-----				
DE 10245773	C1	04-12-2003	NONE	
-----				
DE 102007023767	A1	27-11-2008	NONE	
-----				