



US00D728239S

(12) **United States Design Patent**  
**Sanz et al.**

(10) **Patent No.:** **US D728,239 S**

(45) **Date of Patent:** **\*\* May 5, 2015**

(54) **LUGGAGE WITH A SET OF CORNER BUMPERS**

*Primary Examiner* — Holly Baynham

(74) *Attorney, Agent, or Firm* — Lando & Anastasi, LLP; John N. Anastasi; William J. Seymour

(71) Applicant: **Tumi, Inc.**, South Plainfield, NJ (US)

(57) **CLAIM**

(72) Inventors: **Victor Sanz**, Whitehouse Station, NJ (US); **Paul Victor Scicluna**, Pennndel, PA (US)

What is claimed is the ornamental design for a luggage with a set of corner bumpers, as shown and described.

(73) Assignee: **Tumi Inc.**, South Plainfield, NJ (US)

**DESCRIPTION**

(\*\*) Term: **14 Years**

FIG. 1 depicts a side perspective view of a corner bumper for luggage, showing the novel design; FIG. 2 depicts an alternate side view of a corner bumper for luggage, showing the novel design; FIG. 3 depicts a top view of a corner bumper for luggage, showing the novel design; FIG. 4 depicts a front view of a corner bumper for luggage, showing the novel design; FIG. 5 depicts a side perspective view of corner bumpers for luggage, showing the novel design; FIG. 6 depicts an alternate side view of corner bumpers for luggage, showing the novel design; FIG. 7 depicts a top view of corner bumpers for luggage, showing the novel design; FIG. 8 depicts a front view of a corner bumper for luggage, showing the novel design; and, FIG. 9 depicts a perspective view of corner bumpers for luggage, showing the novel design. The broken lines showing luggage are for the purposes of illustrating environment and forms no part of the claimed design.

(21) Appl. No.: **29/458,912**

(22) Filed: **Jun. 24, 2013**

(51) **LOC (10) Cl.** ..... **03-01**

(52) **U.S. Cl.**  
USPC ..... **D3/318**

(58) **Field of Classification Search**  
CPC ..... A45C 13/08; A45F 5/10  
USPC ..... D3/318; 190/18 A, 38–39  
See application file for complete search history.

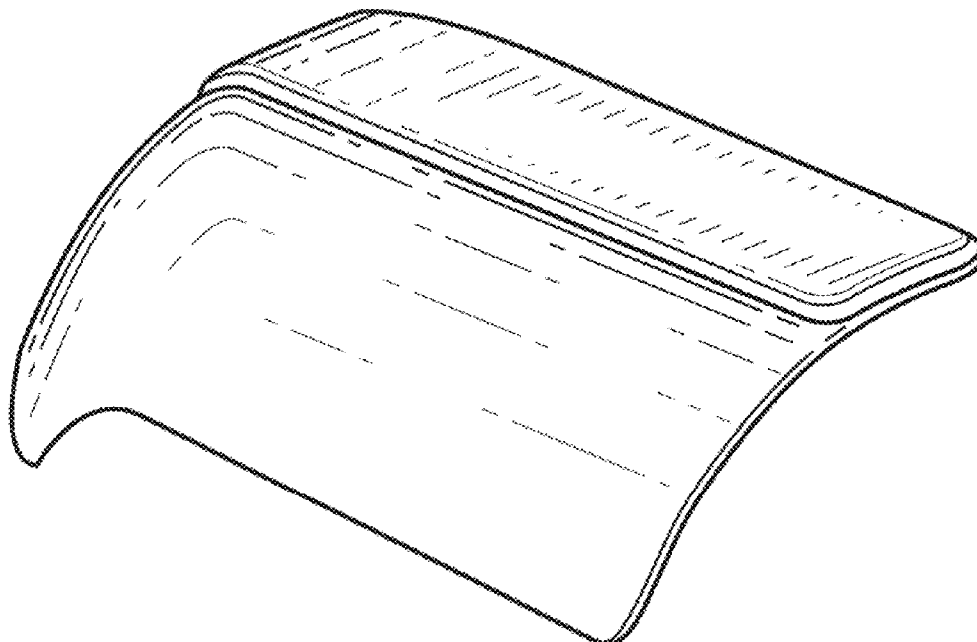
(56) **References Cited**

U.S. PATENT DOCUMENTS

D246,939 S *	1/1978	Casser	.....	D3/233
D447,929 S *	9/2001	Chang	.....	D8/350
D460,263 S *	7/2002	Bradford	.....	D3/318
D521,236 S *	5/2006	Weng et al.	.....	D3/318

\* cited by examiner

**1 Claim, 7 Drawing Sheets**



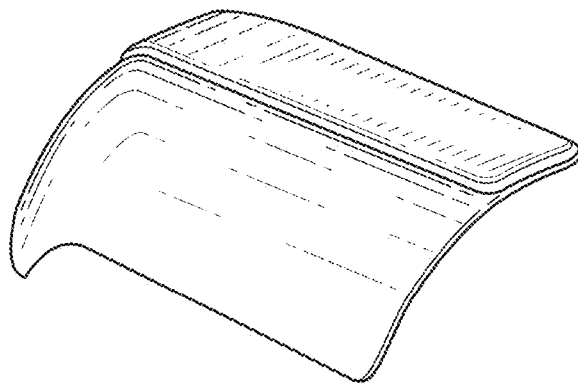


FIG. 1

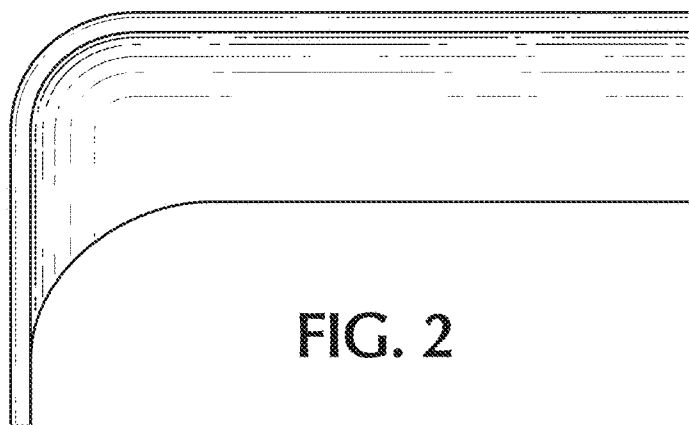


FIG. 2

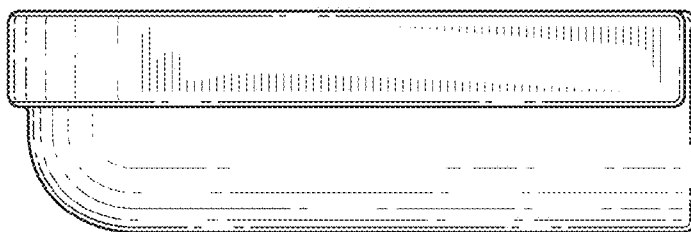


FIG. 3

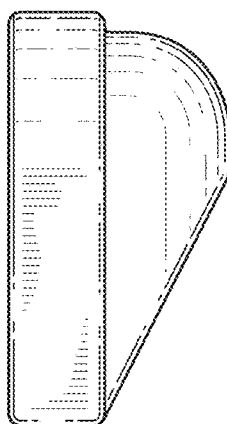


FIG. 4

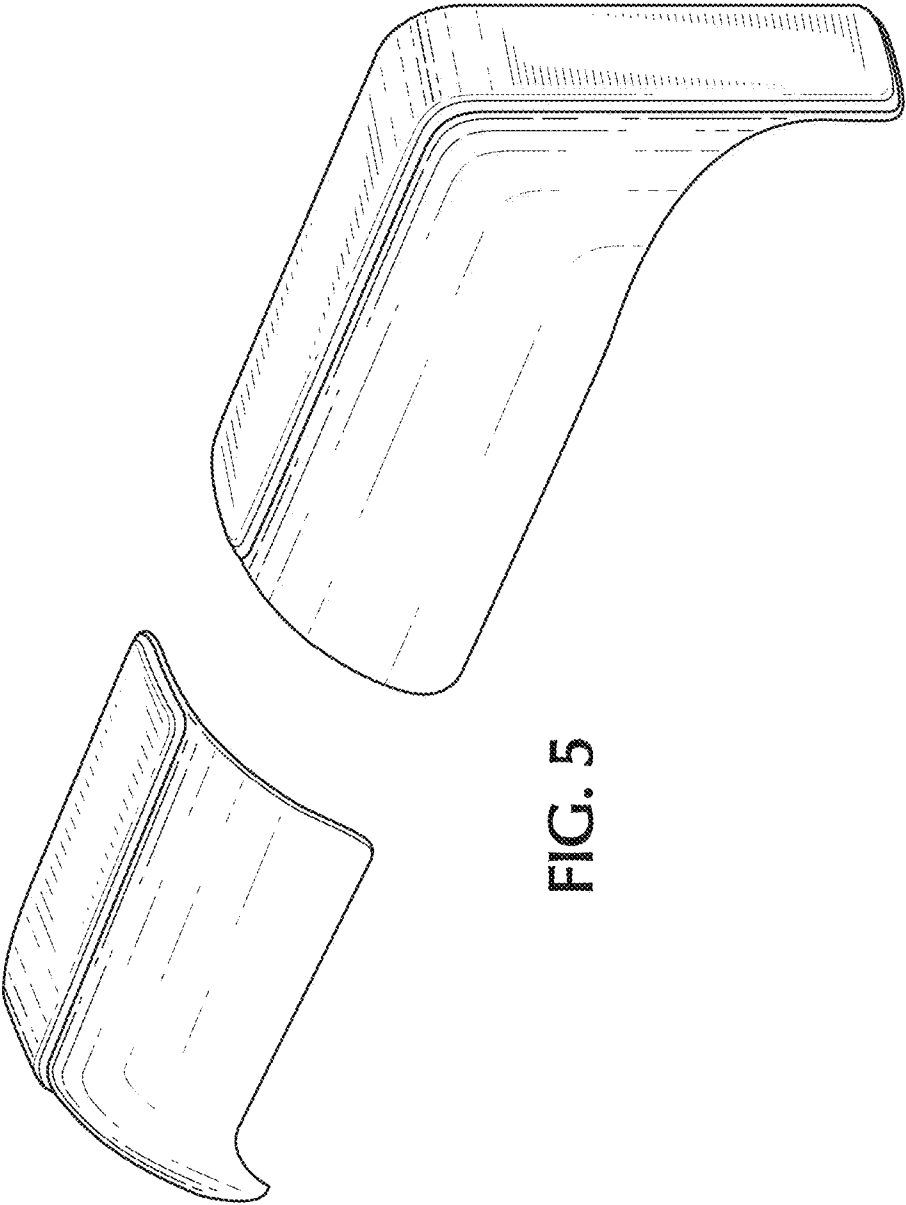


FIG. 5

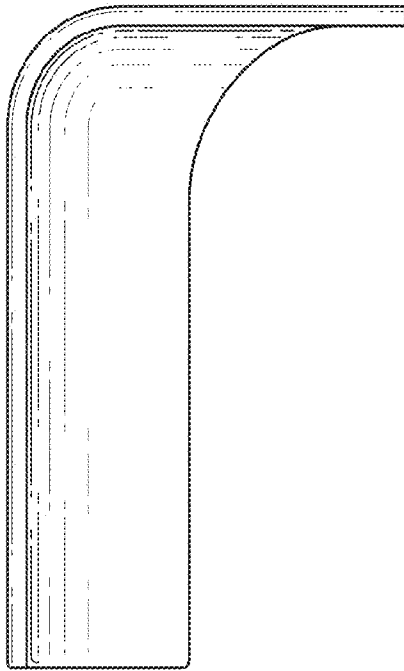
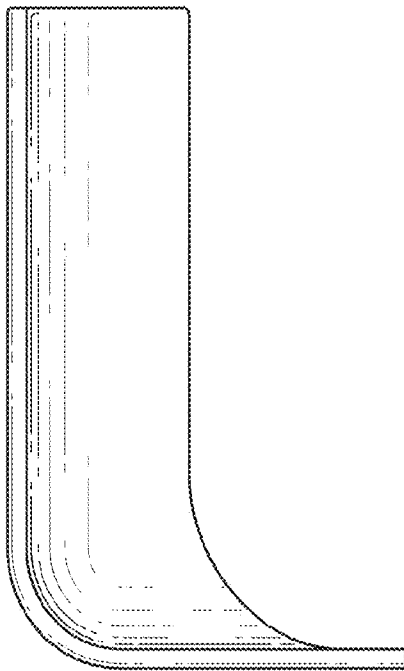


FIG. 6



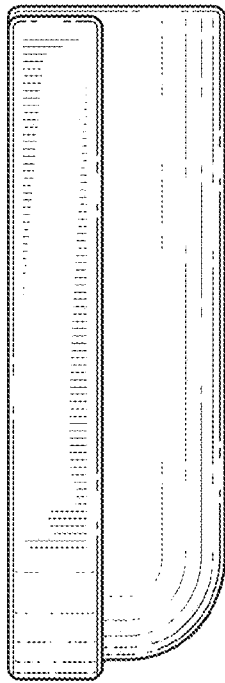
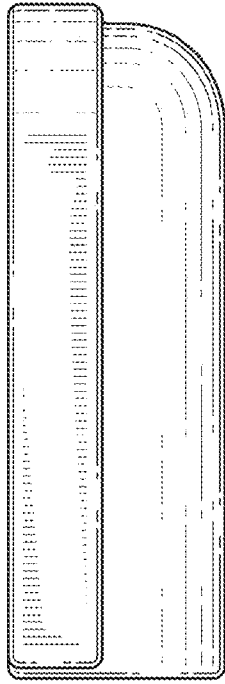


FIG. 7

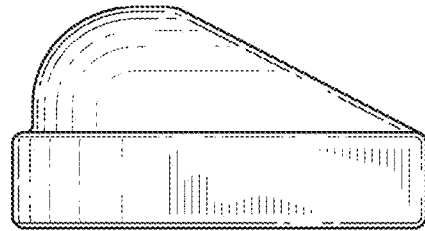


FIG. 8

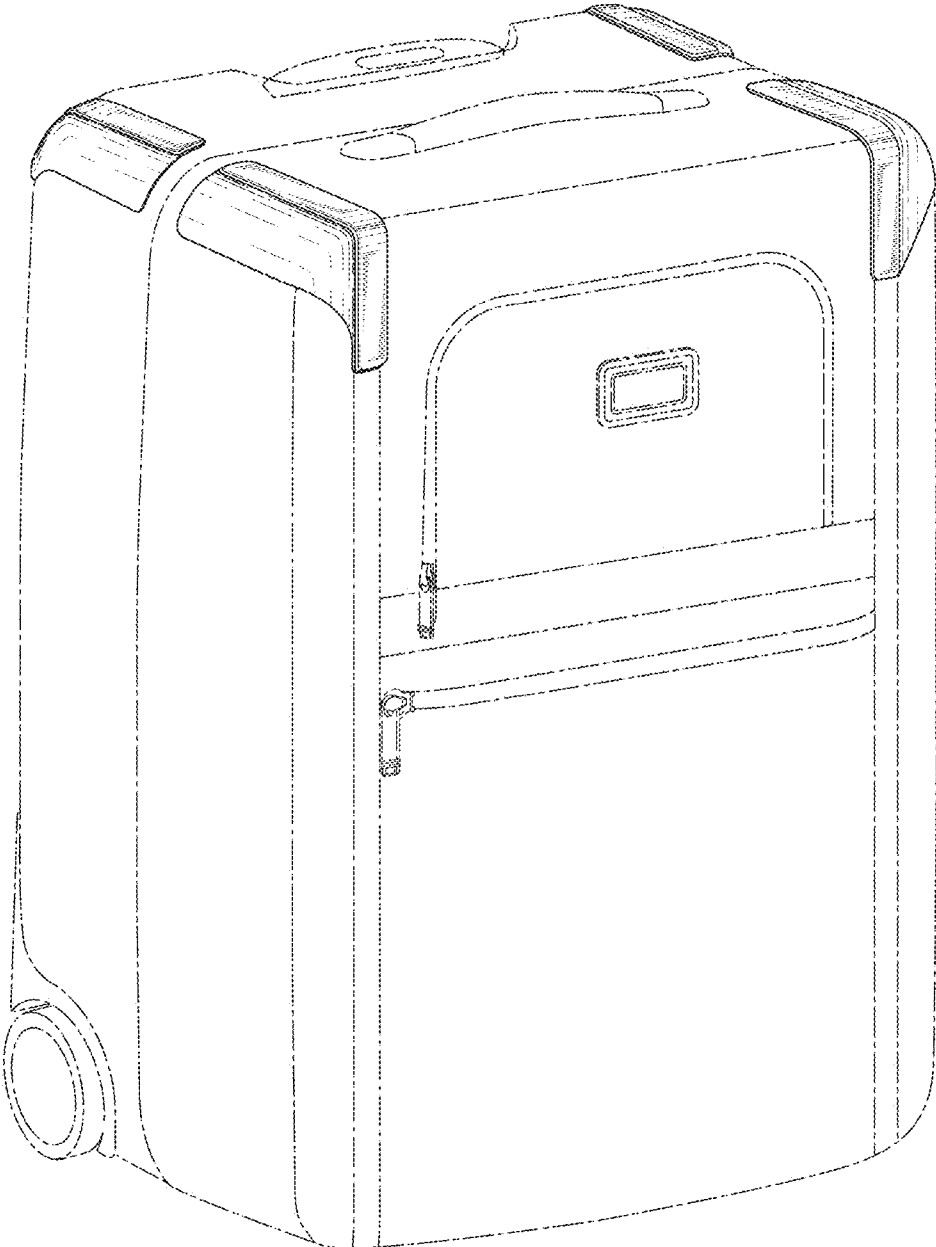


FIG. 9