



US00D716404S

(12) **United States Design Patent**
Capps et al.

(10) **Patent No.:** **US D716,404 S**

(45) **Date of Patent:** **** Oct. 28, 2014**

(54) **FIREARM TRIGGER**

Primary Examiner — Michael A Pratt

(71) Applicants: **John Capps**, Maricopa, AZ (US); **Frank Desomma**, Glendale, AZ (US)

(74) *Attorney, Agent, or Firm* — Snell & Wilmer L.L.P.

(72) Inventors: **John Capps**, Maricopa, AZ (US); **Frank Desomma**, Glendale, AZ (US)

(57) **CLAIM**

The ornamental design for the firearm trigger, as shown and described.

(**) Term: **14 Years**

DESCRIPTION

(21) Appl. No.: **29/449,556**

(22) Filed: **Mar. 15, 2013**

(51) **LOC (10) Cl.** **22-01**

(52) **U.S. Cl.**

USPC **D22/108**

(58) **Field of Classification Search**

USPC D22/103-104, 108; 42/42.02-42.03, 42/70.07; 89/37.04; 124/72, 74, 31

See application file for complete search history.

FIG. 1 is a first perspective view depicting an embodiment of a new design for a firearm trigger;
FIG. 2 is a second perspective view depicting an embodiment of a new design for a firearm trigger;
FIG. 3 is a side view depicting an embodiment of a new design for a firearm trigger;
FIG. 4 is a side view depicting an embodiment of a new design for a firearm trigger;
FIG. 5 is a front view depicting an embodiment of a new design for a firearm trigger;
FIG. 6 is a rear view depicting an embodiment of a new design for a firearm trigger;
FIG. 7 is a bottom view depicting an embodiment of a new design for a firearm trigger;
FIG. 8 is a top view depicting an embodiment of a new design for a firearm trigger; and,
FIG. 9 is a side view depicting an embodiment of a new design of a firearm trigger installed in an exemplary firearm.
The portion shown in broken line is for illustrative purposes only and forms no part of the claim design.

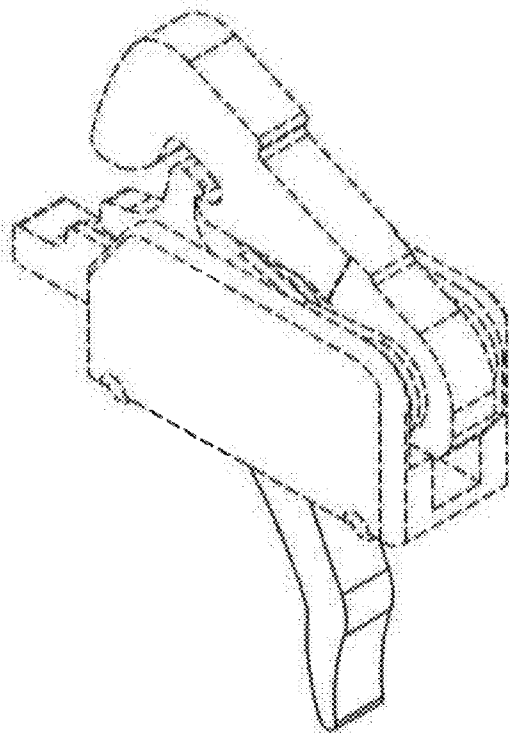
(56) **References Cited**

U.S. PATENT DOCUMENTS

D447,791	S *	9/2001	Robidoux	D23/226
6,345,460	B2 *	2/2002	Hashman	42/16
D462,105	S *	8/2002	Myers	D22/108
D504,168	S *	4/2005	McCormick	D22/108
D593,617	S *	6/2009	Dochterman	D21/573
7,600,338	B2 *	10/2009	Geissele	42/69.03
D624,609	S *	9/2010	Stein et al.	D21/573
2007/0051236	A1 *	3/2007	Groves et al.	89/142

* cited by examiner

1 Claim, 5 Drawing Sheets



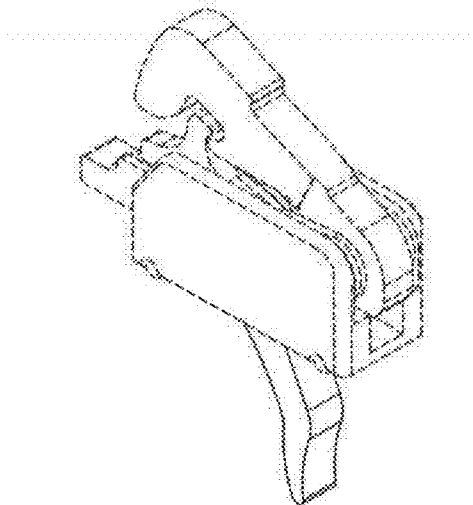


Fig. 1

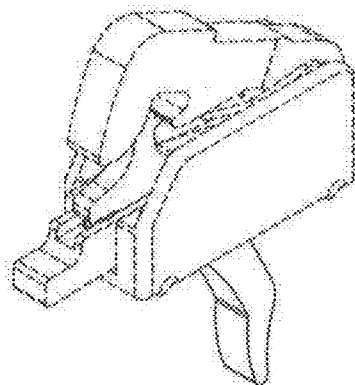


Fig. 2

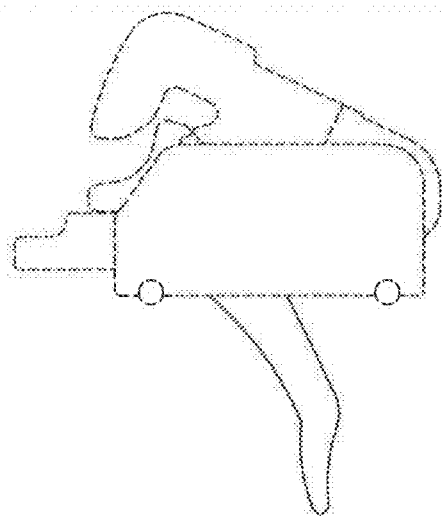


Fig. 3

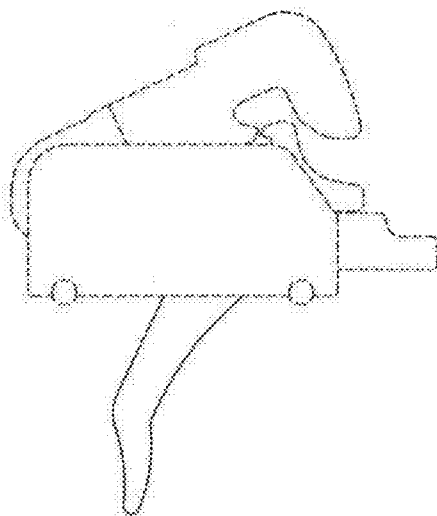


Fig. 4

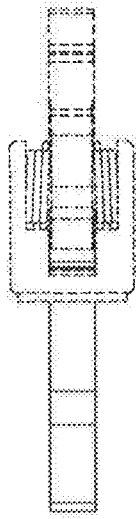


Fig. 5

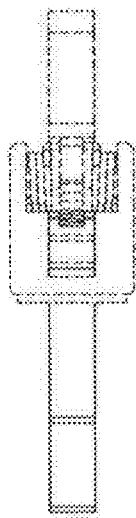


Fig. 6

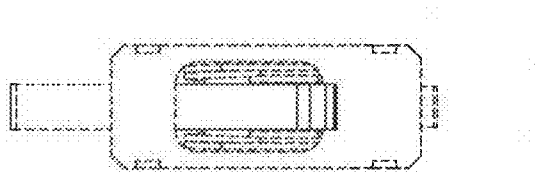


Fig. 7

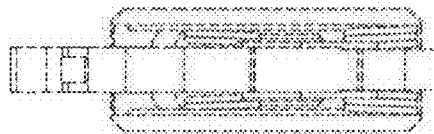


Fig. 8

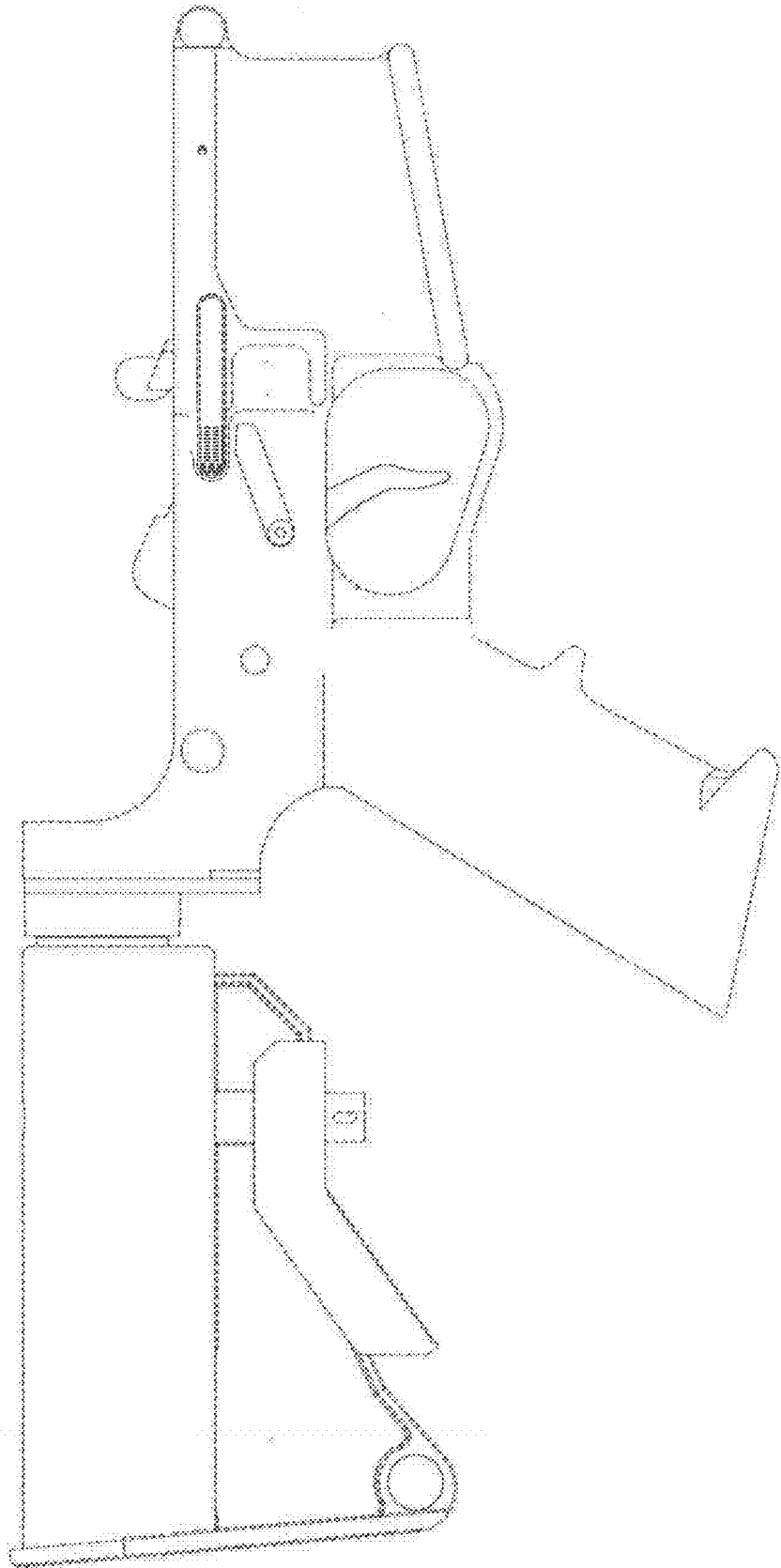


Fig. 9