



US0D1050643S

(12) **United States Design Patent**
Meng

(10) **Patent No.:** **US D1,050,643 S**

(45) **Date of Patent:** **** Nov. 5, 2024**

(54) **HIGH PRESSURE CLEANING MACHINE**

(71) Applicant: **Ningbo Ruizhe Technology Co., Ltd,**
Ningbo (CN)

(72) Inventor: **Xin Meng,** Ningbo (CN)

(73) Assignee: **Ningbo Ruizhe Technology Co., Ltd**

(**) Term: **15 Years**

(21) Appl. No.: **29/934,624**

(22) Filed: **Mar. 27, 2024**

(51) **LOC (14) Cl.** **15-05**

(52) **U.S. Cl.** **D32/15**
USPC **D32/15**

(58) **Field of Classification Search**

USPC D32/1, 15-16, 21, 23, 25; D8/358, 376;
D10/72; D15/7, 13, 124; D23/213, 223,
D23/224, 226

CPC B08B 3/02; B08B 3/026; B08B 3/024;
B08B 2203/0276; B05B 7/32; B05B 1/12;
B05B 15/60; B05B 9/007; B05B 9/0861;
A47L 1/02; A47L 11/10; A47L 11/4088;
A47L 13/26; Y10T 137/0352

See application file for complete search history.

(56) **References Cited**

U.S. PATENT DOCUMENTS

D528,714 S *	9/2006	Hong	D32/15
D564,146 S *	3/2008	Li	D32/15
D711,603 S *	8/2014	Alenxander	D32/16
D743,643 S *	11/2015	Casey	D32/15
D931,560 S *	9/2021	Xu	D32/16

(Continued)

FOREIGN PATENT DOCUMENTS

CN 151993 * 6/2014

OTHER PUBLICATIONS

Fenbeli Store Electric Pressure Washer, available in Amazon.com, customer review oldest date May 31, 2024 [online], [site visited

Aug. 22, 2024], Available from the internet URL: <https://www.amazon.com/Fenbeli-Electric-Pressure-Washer-4500/dp/B0D53K9TR5> (Year: 2024).*

Primary Examiner — Jennifer Rivard

Assistant Examiner — Jennylou M Binas

(74) *Attorney, Agent, or Firm* — Jose Cherson Weissbrot

(57) **CLAIM**

The ornamental design for a high pressure cleaning machine, as shown and described.

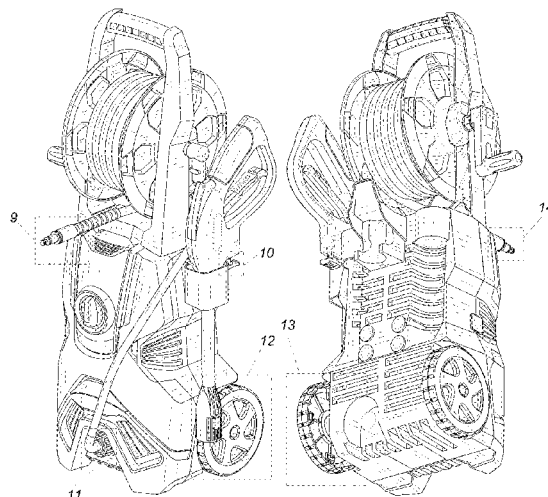
DESCRIPTION

FIG. 1 is a front, right, top perspective view of a high pressure cleaning machine, showing my new design; FIG. 2 is a rear, left, bottom perspective view thereof; FIG. 3 is a front elevational view thereof; FIG. 4 is a rear elevational view thereof; FIG. 5 is a left side view thereof; FIG. 6 is a right side view thereof; FIG. 7 is a top plan view thereof; FIG. 8 is a bottom plan view thereof; FIG. 9 is an enlarged view of detail 9 in FIG. 1; FIG. 10 is an enlarged view of detail 10 in FIG. 1; FIG. 11 is an enlarged view of detail 11 in FIG. 1; FIG. 12 is an enlarged view of detail 12 in FIG. 1; FIG. 13 is an enlarged view of detail 13 in FIG. 2; FIG. 14 is an enlarged view of detail 14 in FIG. 2; FIG. 15 is an enlarged view of detail 15 in FIG. 3; FIG. 16 is an enlarged view of detail 16 in FIG. 3; FIG. 17 is an enlarged view of detail 17 in FIG. 4; FIG. 18 is an enlarged view of detail 18 in FIG. 6; FIG. 19 is an enlarged view of detail 19 in FIG. 7; and, FIG. 20 is an enlarged view of detail 20 in FIG. 7.

The dashed broken lines in the figures illustrate portions of the high pressure cleaning machine which form no part of the claimed design.

The dash-dot-dash broken lines are for notating enlarged views and form no part of the claimed design.

1 Claim, 20 Drawing Sheets



(56)

References Cited

U.S. PATENT DOCUMENTS

D932,120	S *	9/2021	Xu	D32/15
D932,717	S *	10/2021	Xu	D32/15
D938,113	S *	12/2021	Wang	D32/15
D984,765	S *	4/2023	Shao	D32/15
11,708,235	B2 *	7/2023	Tost	B08B 3/026 242/401
D1,003,549	S *	10/2023	Yang	D32/15
2009/0272412	A1 *	11/2009	Steinhauser	B65H 75/42 134/198

* cited by examiner

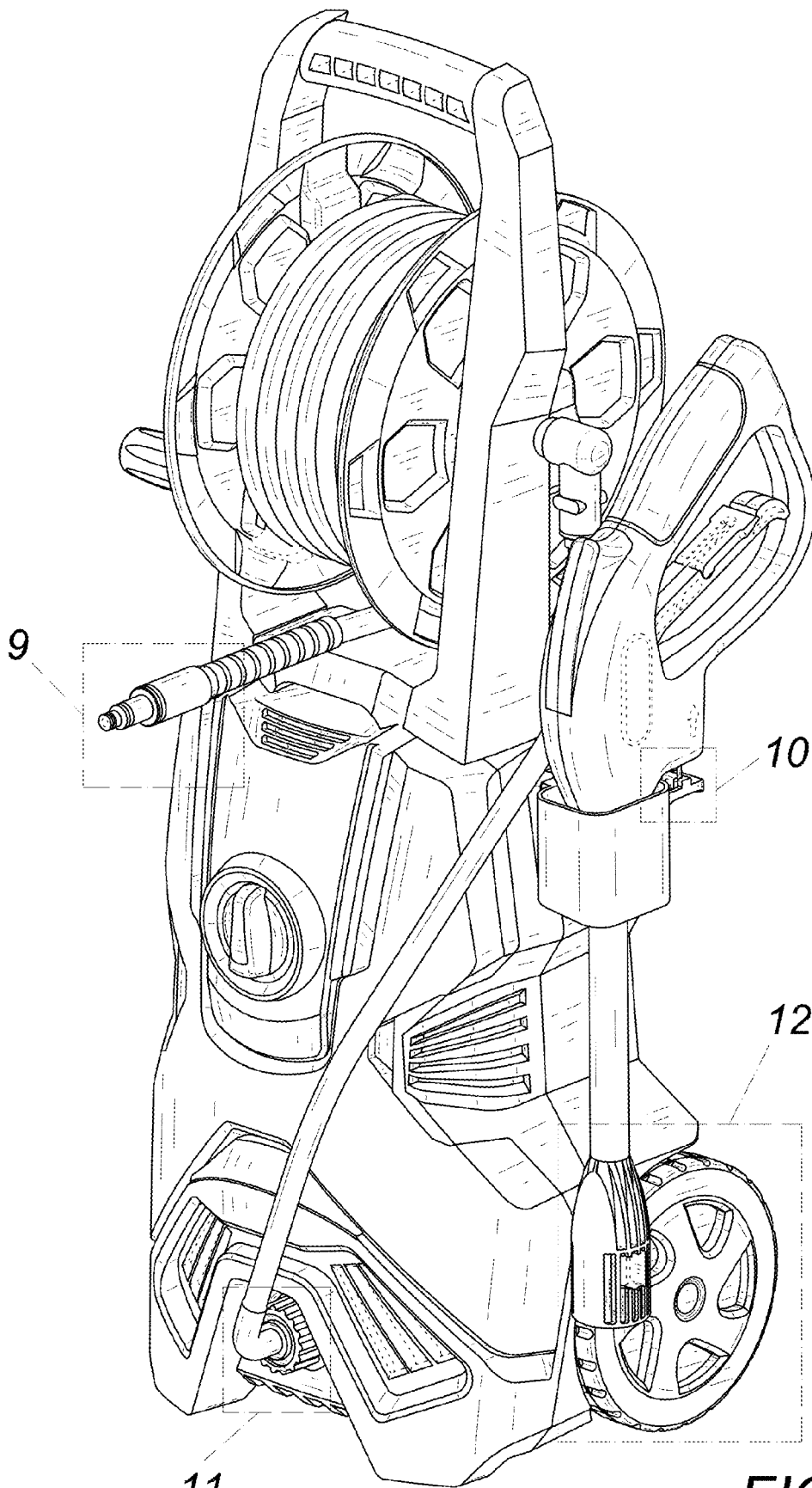


FIG. 1

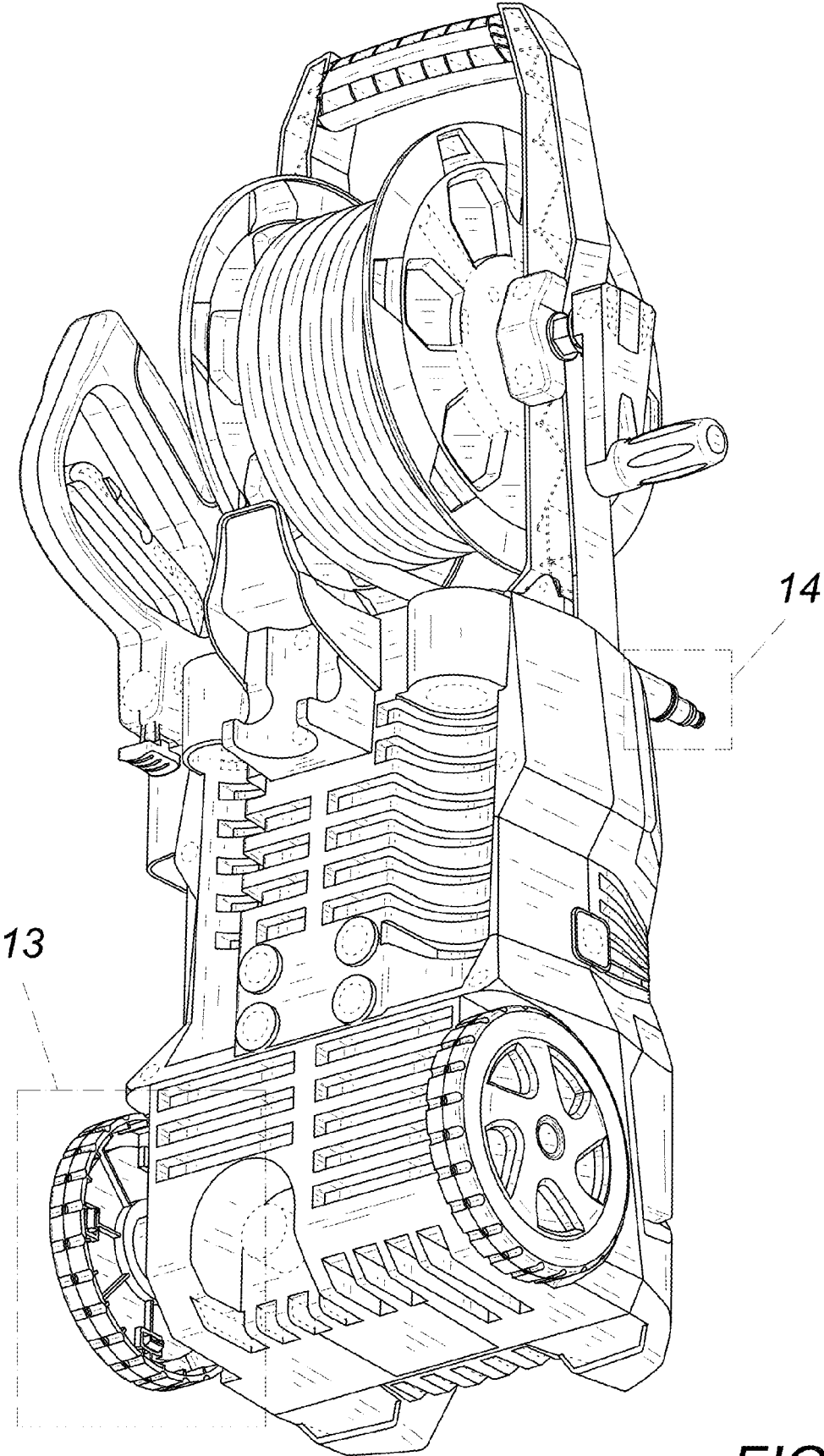


FIG.2

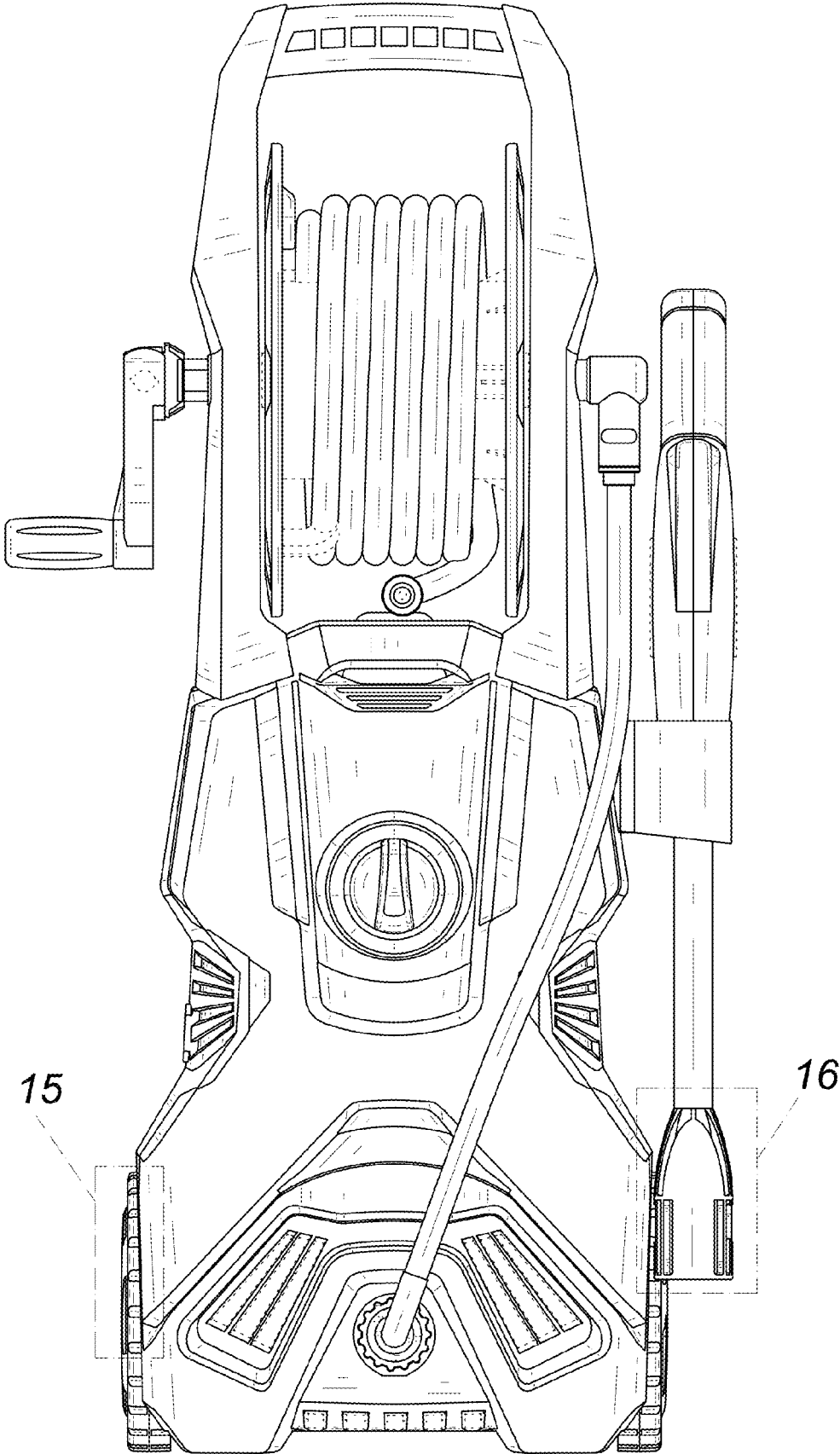
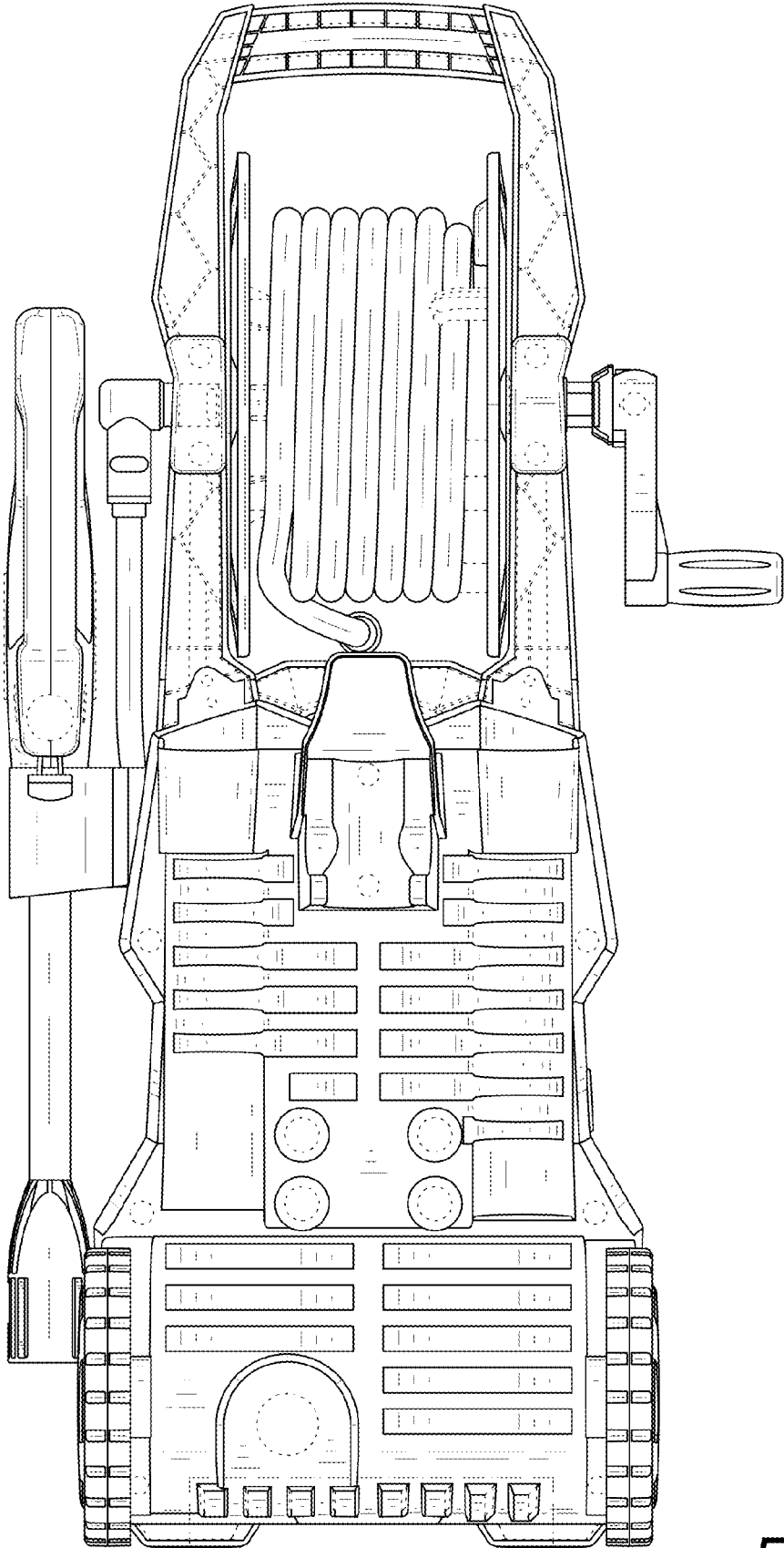


FIG.3



17

FIG.4

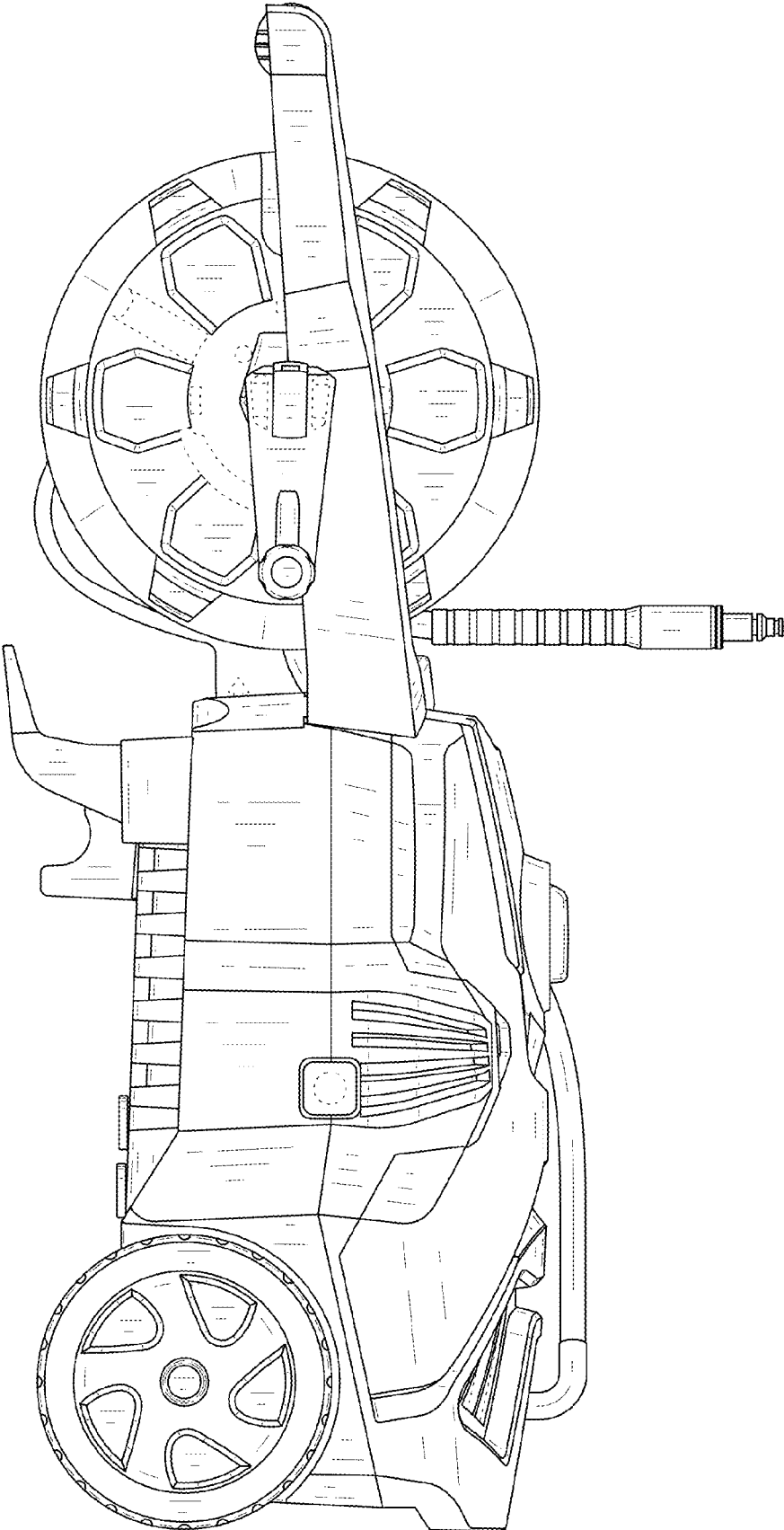


FIG. 5

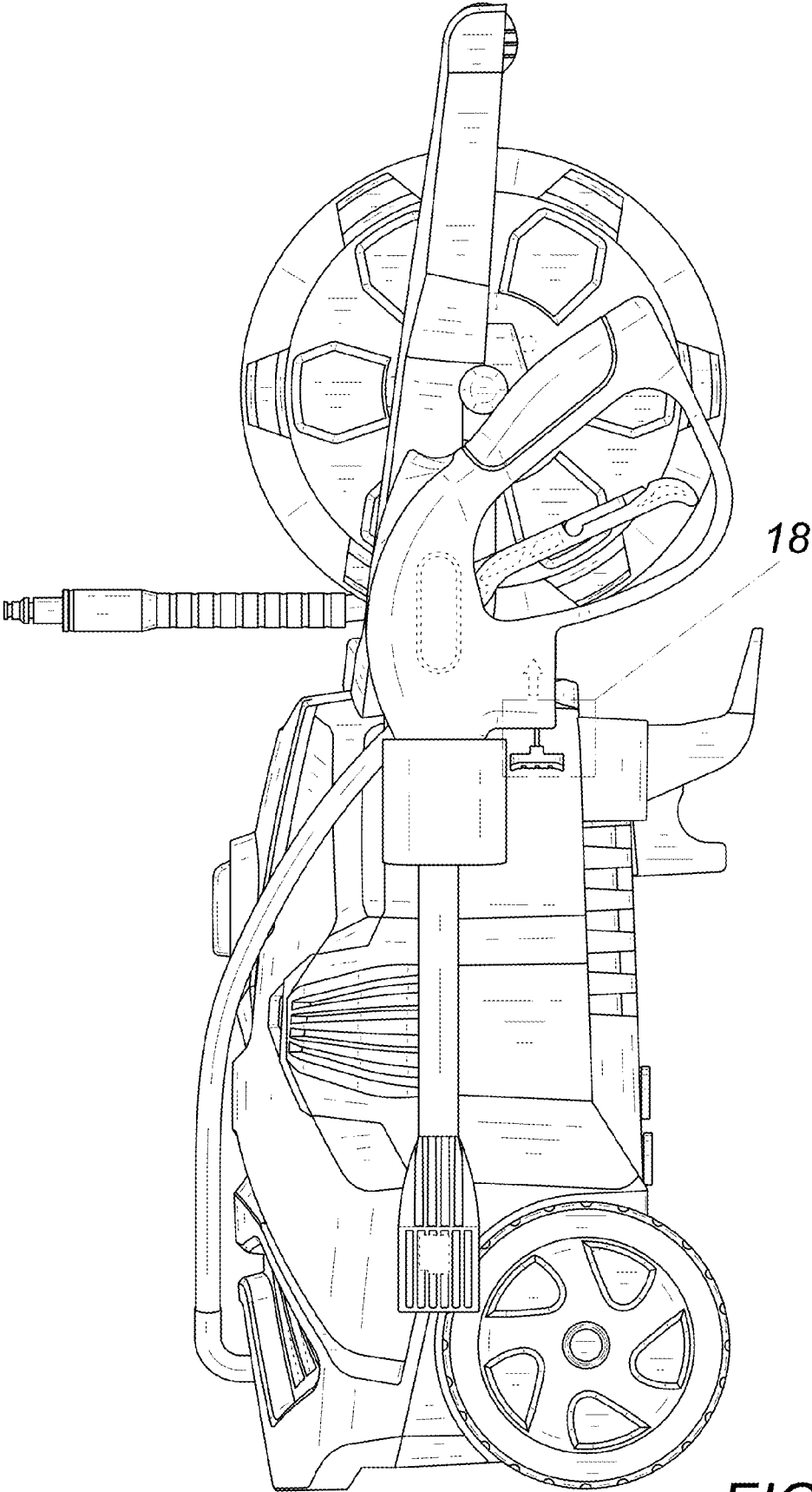


FIG. 6

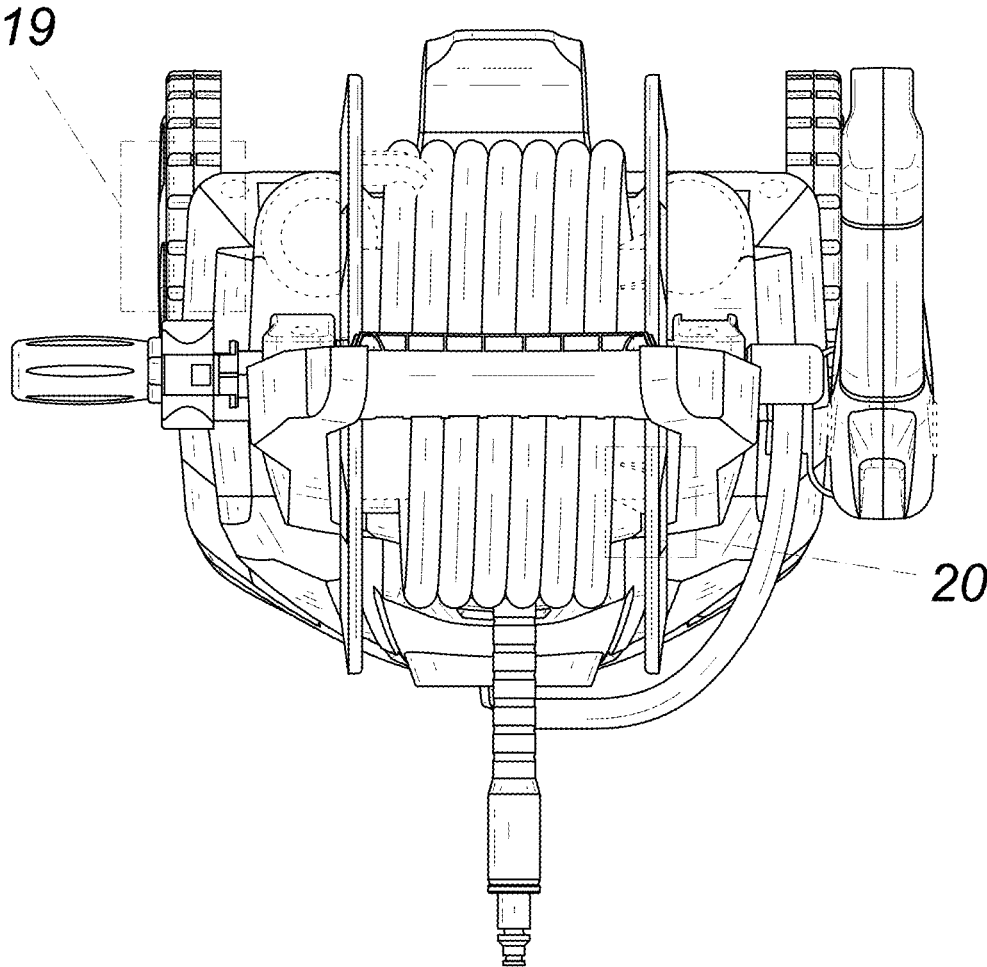


FIG. 7

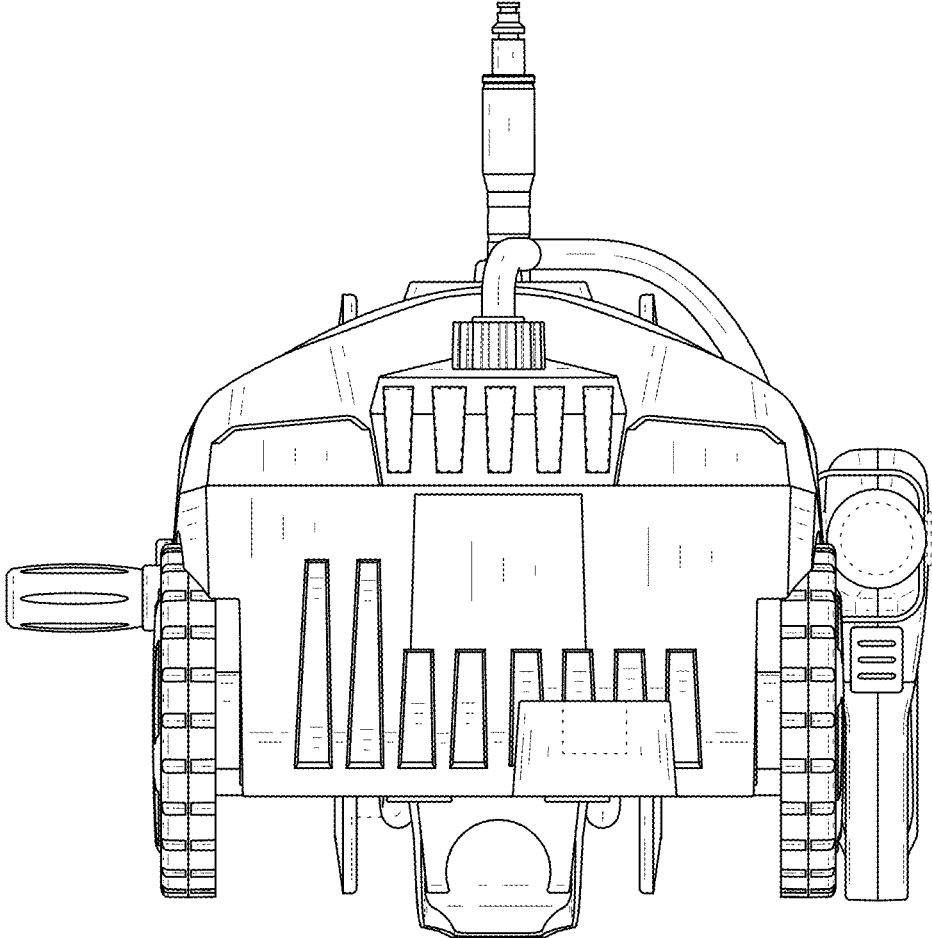


FIG. 8

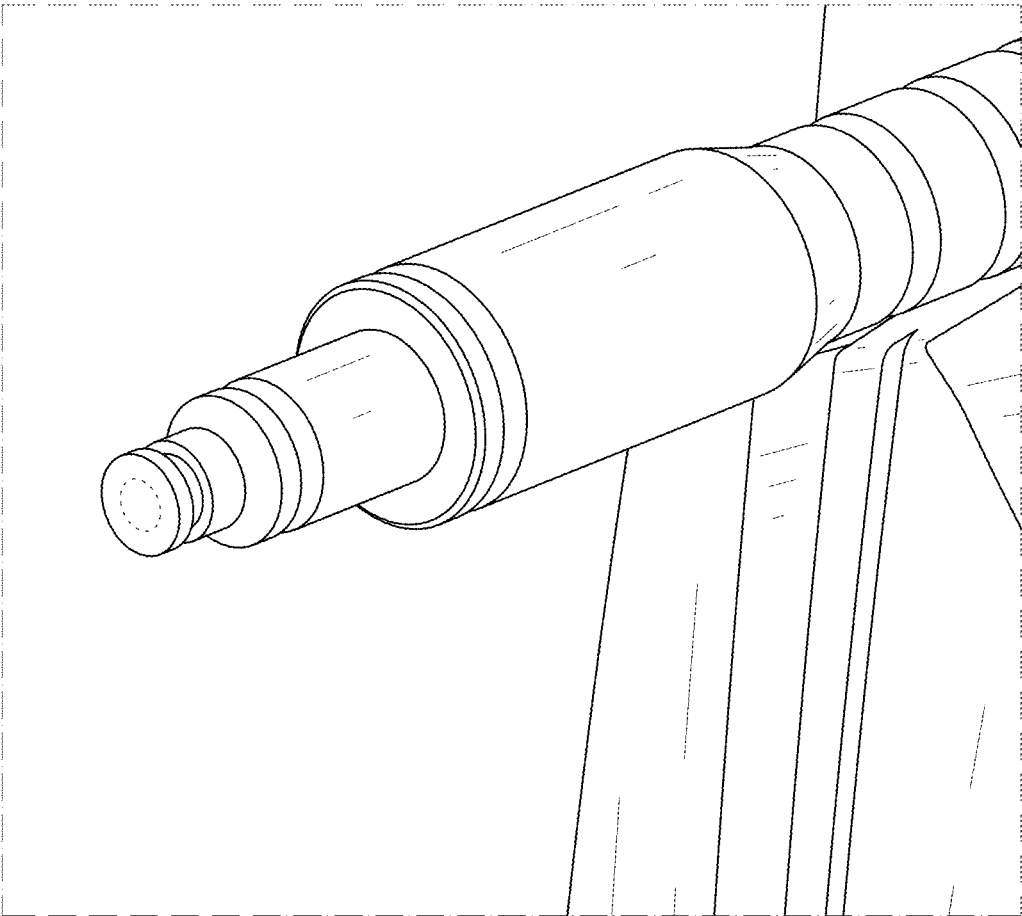


FIG.9

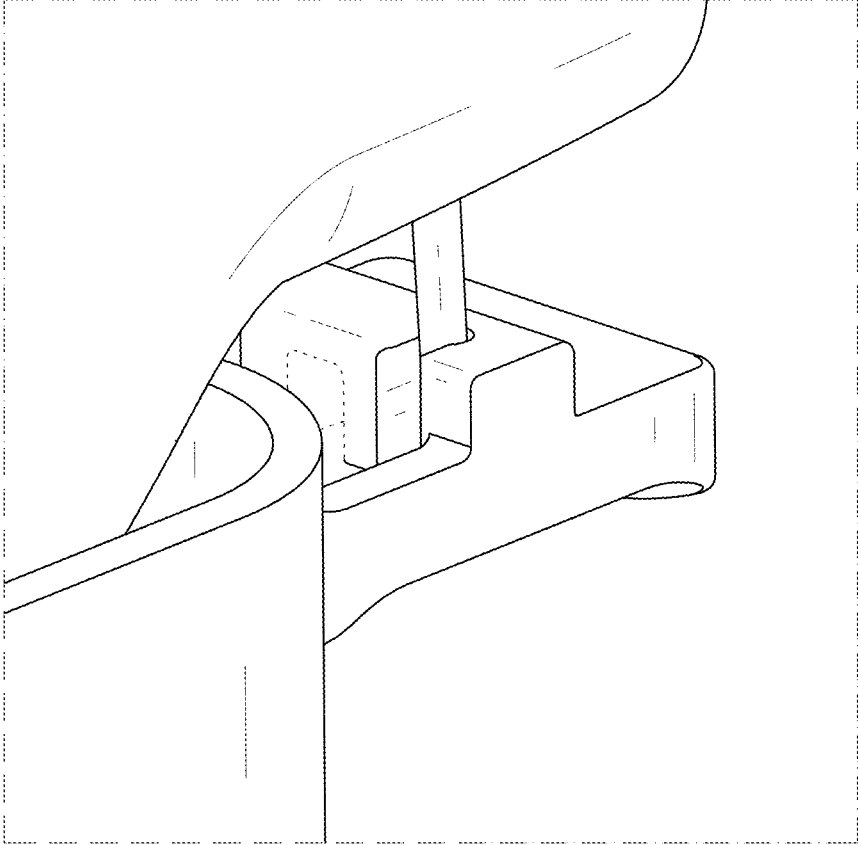


FIG. 10

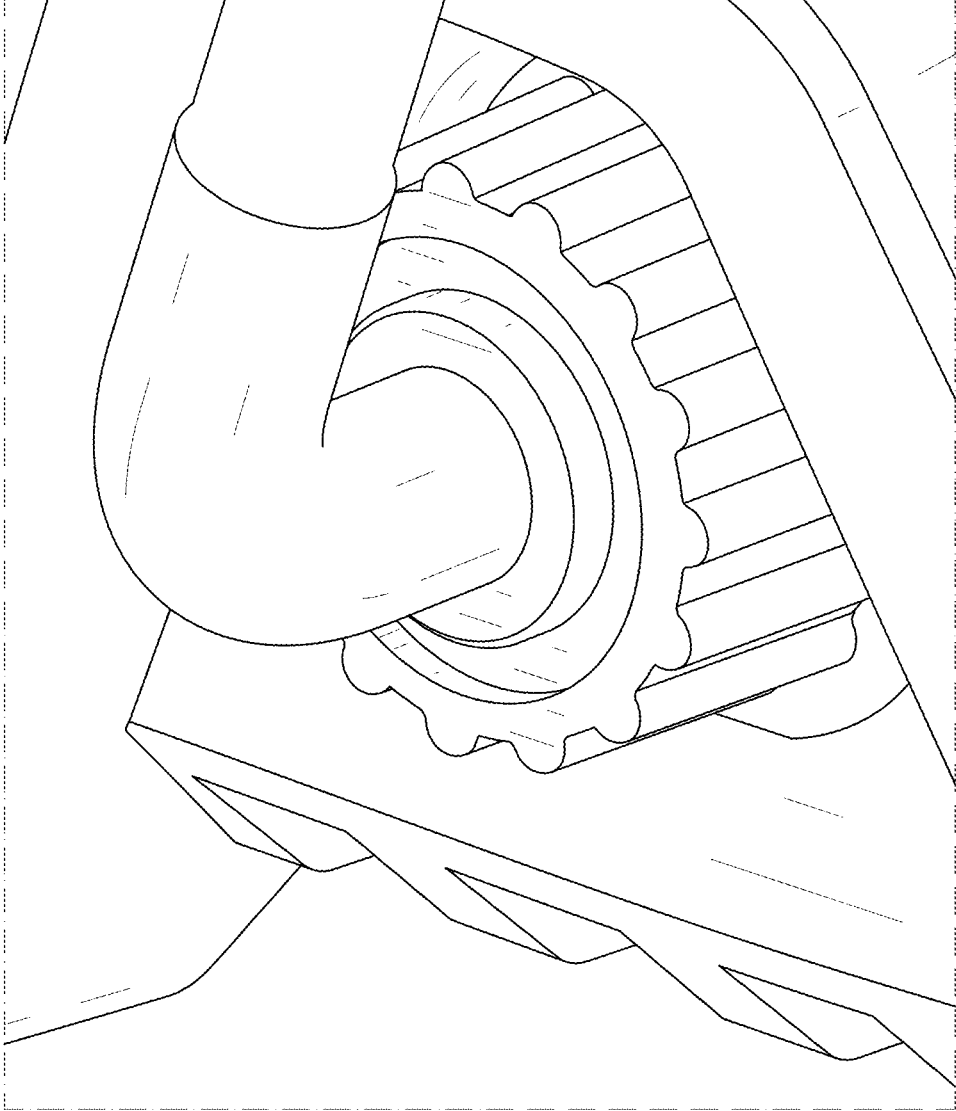


FIG. 11

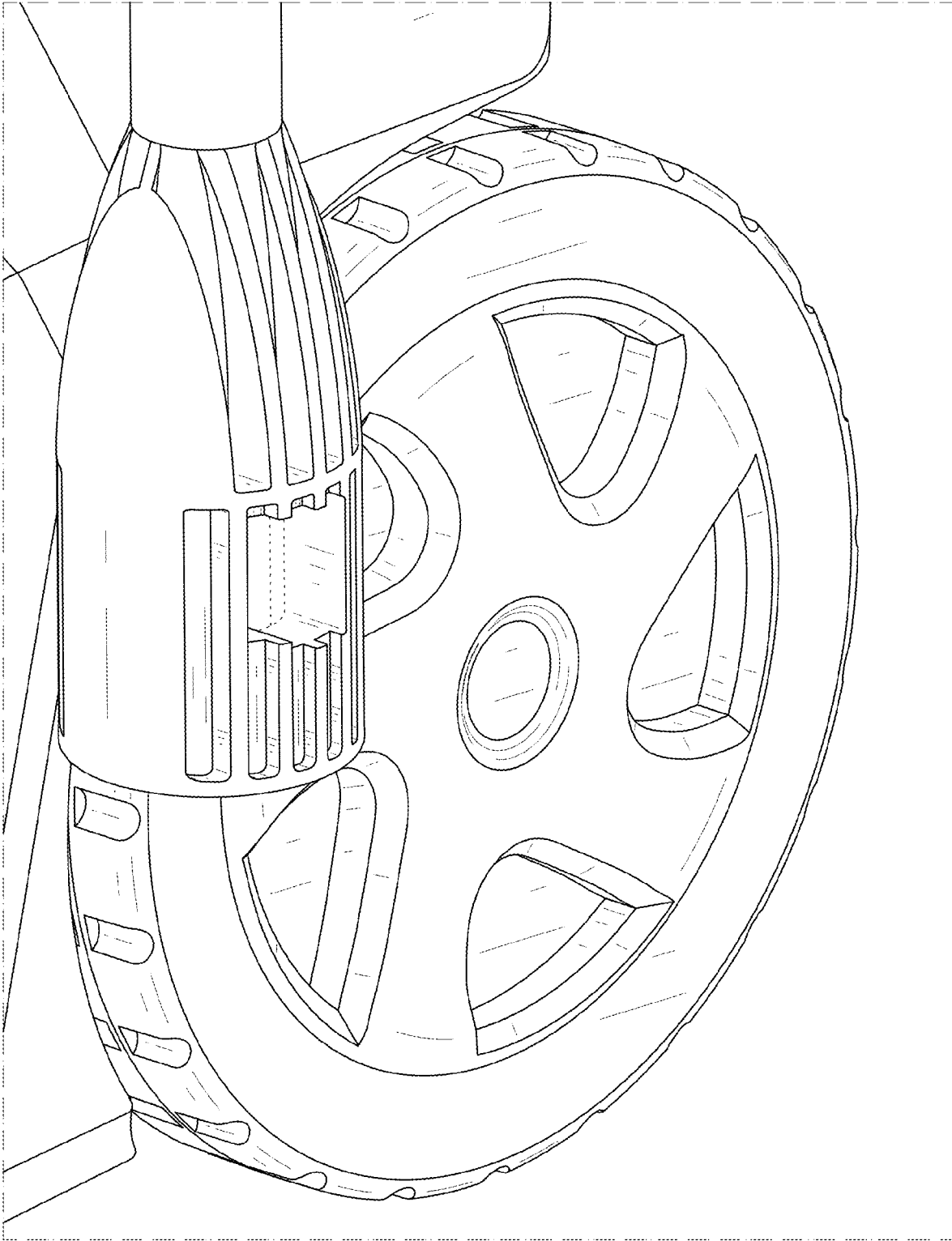


FIG. 12

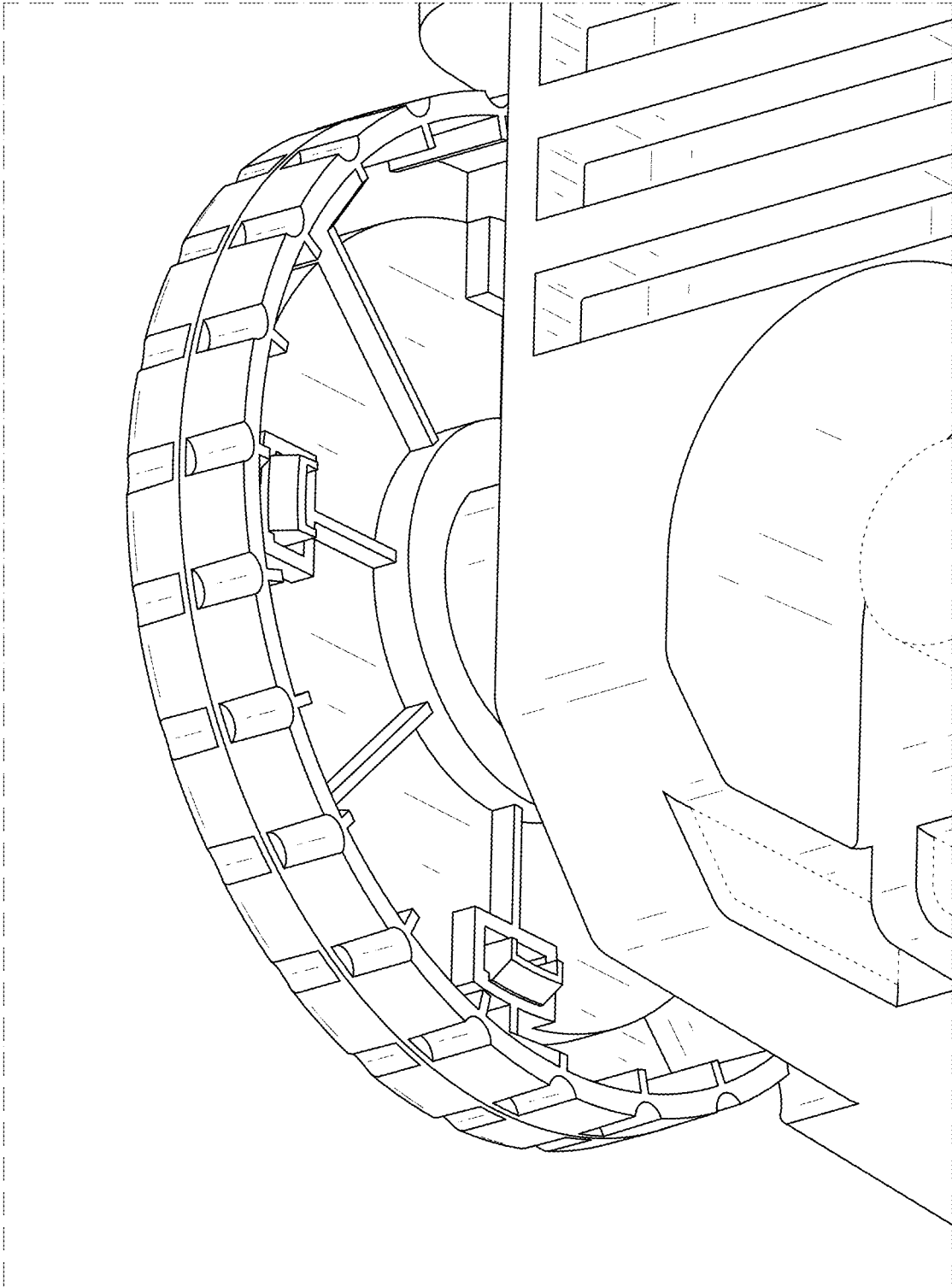


FIG. 13

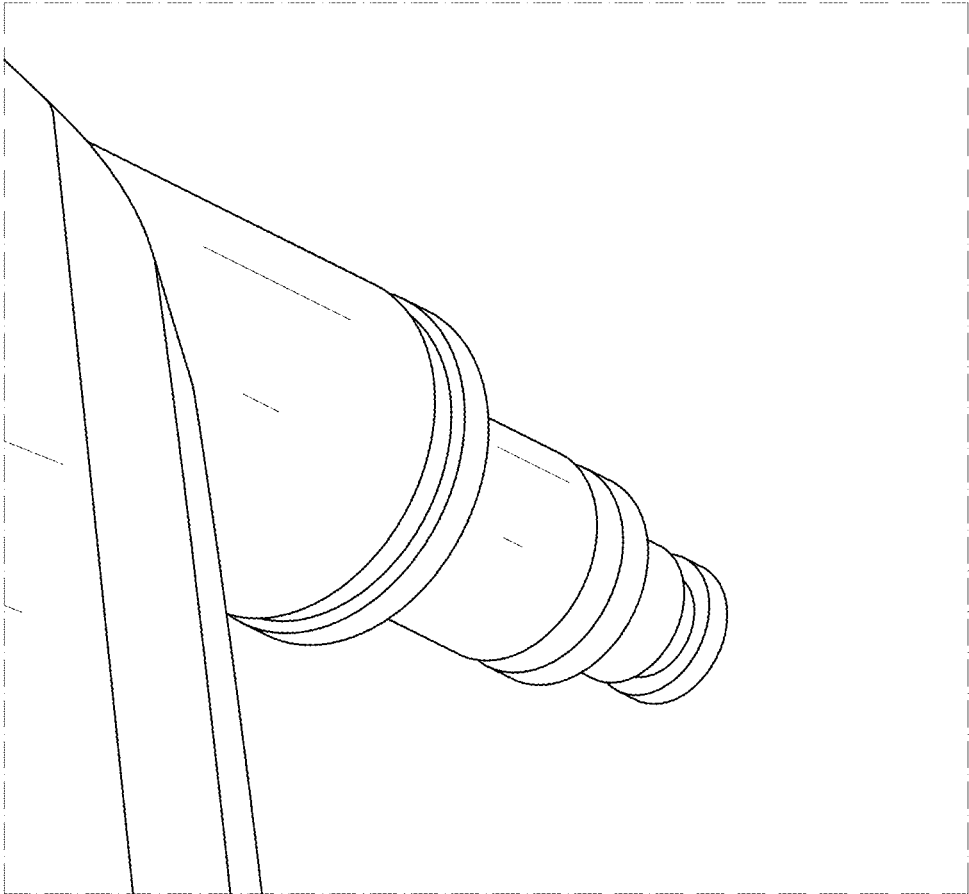


FIG. 14

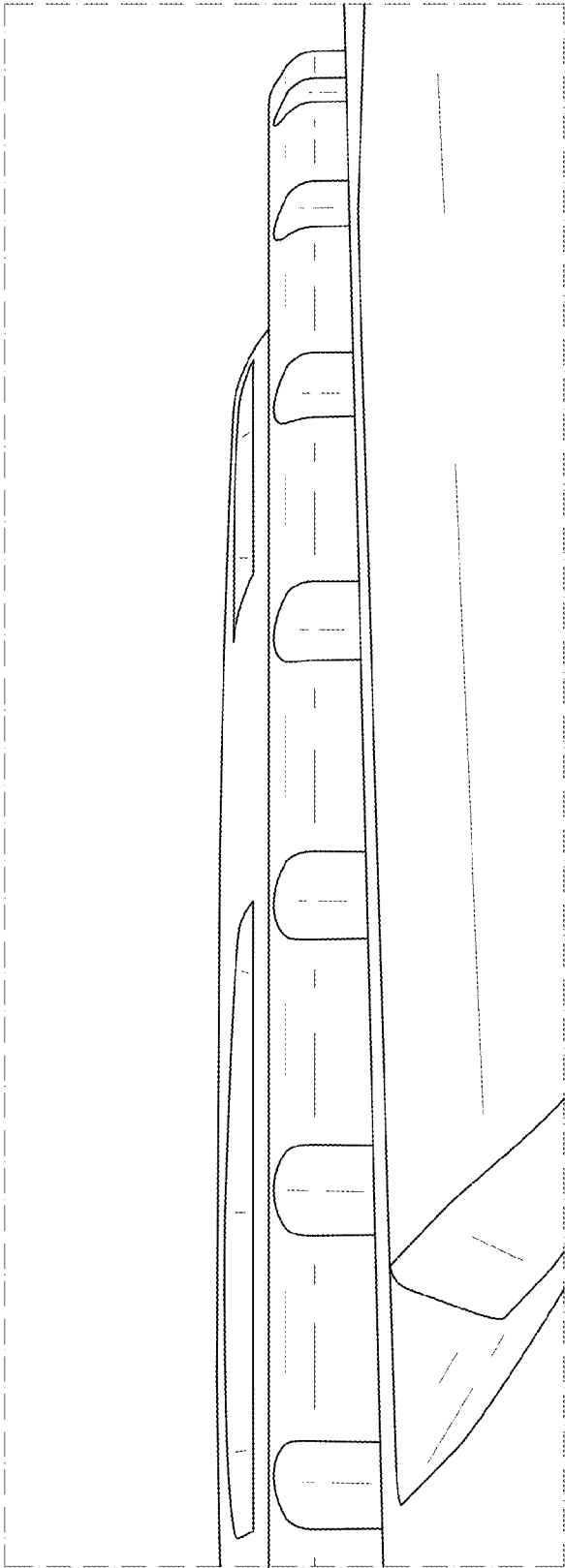


FIG. 15

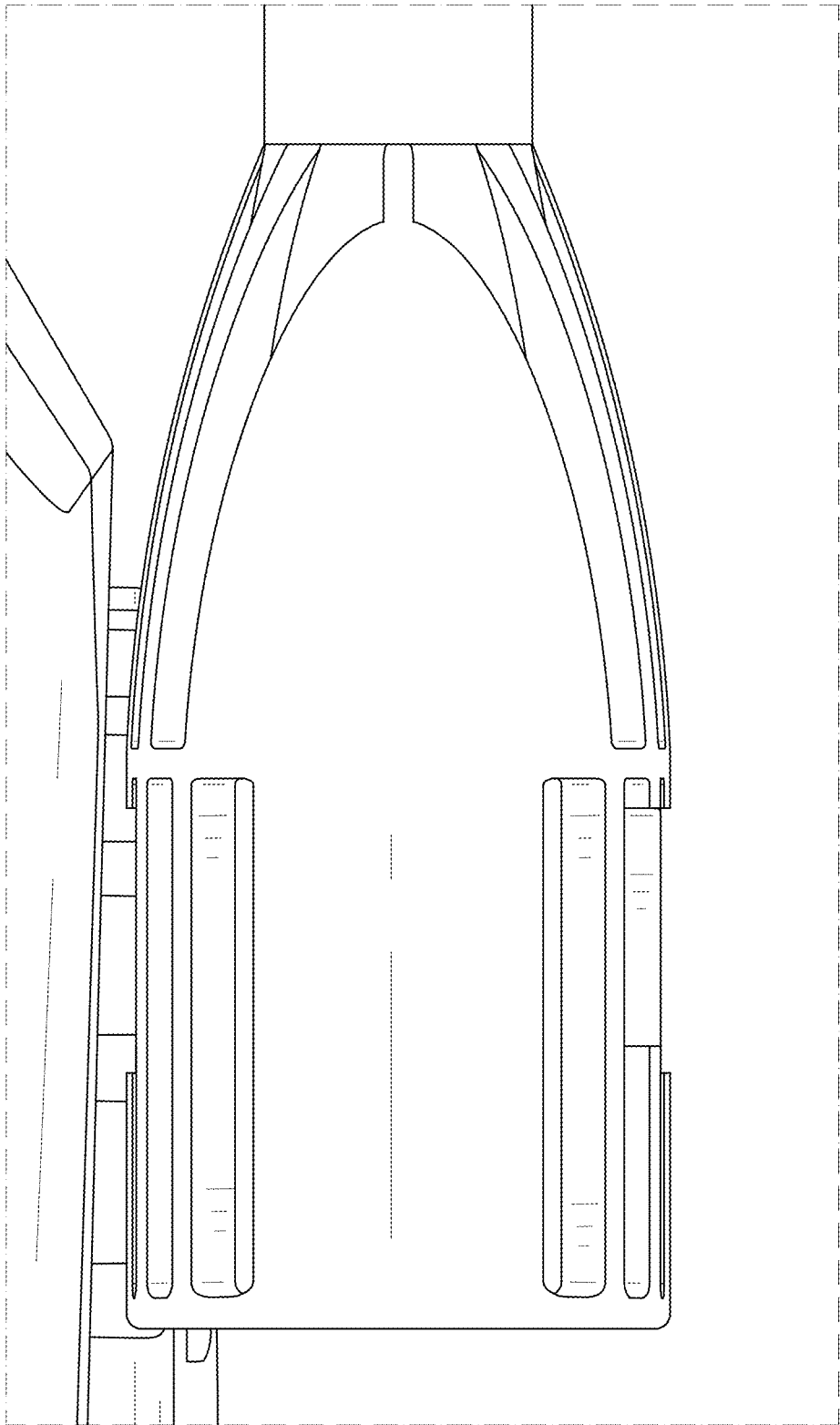


FIG. 16

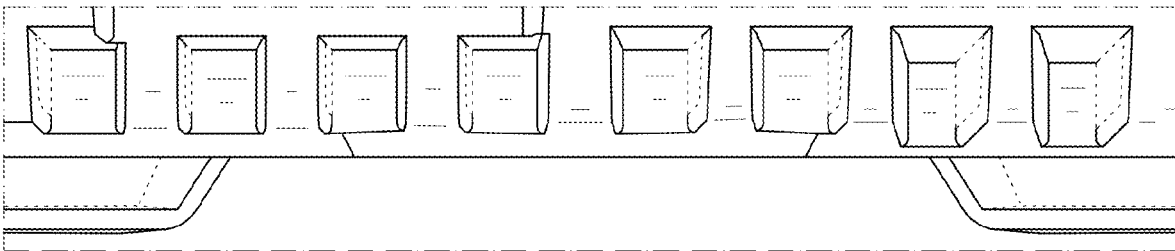


FIG. 17

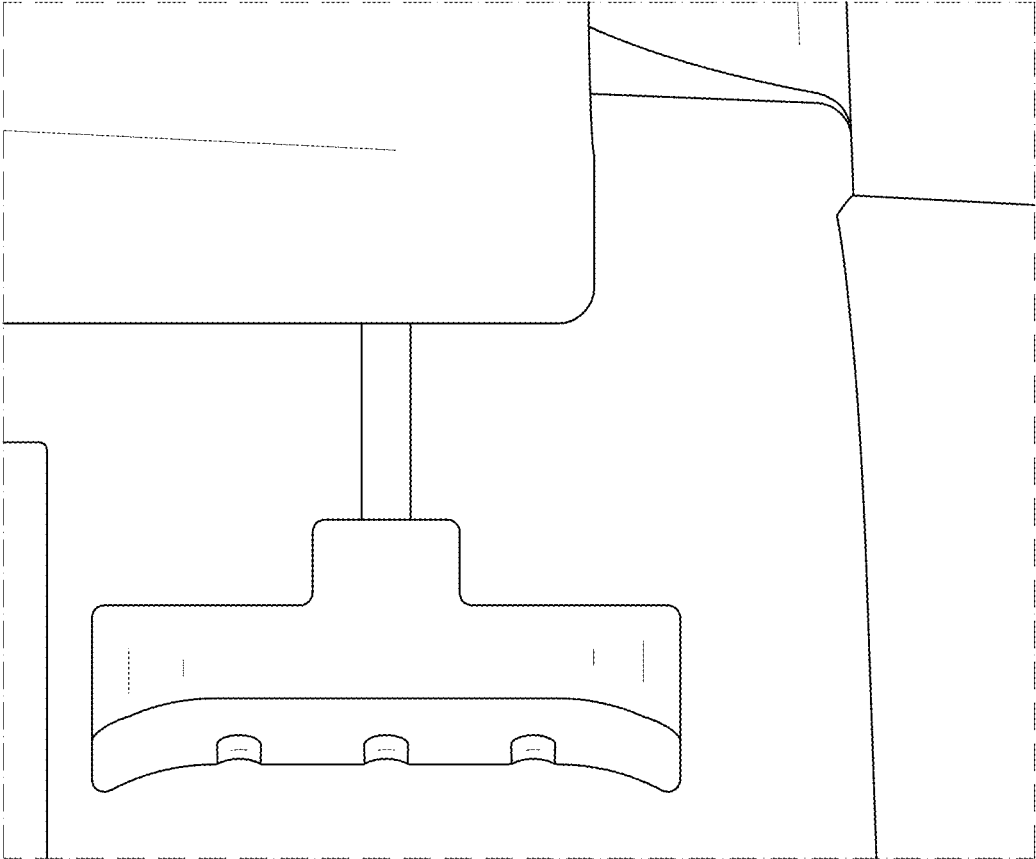


FIG. 18

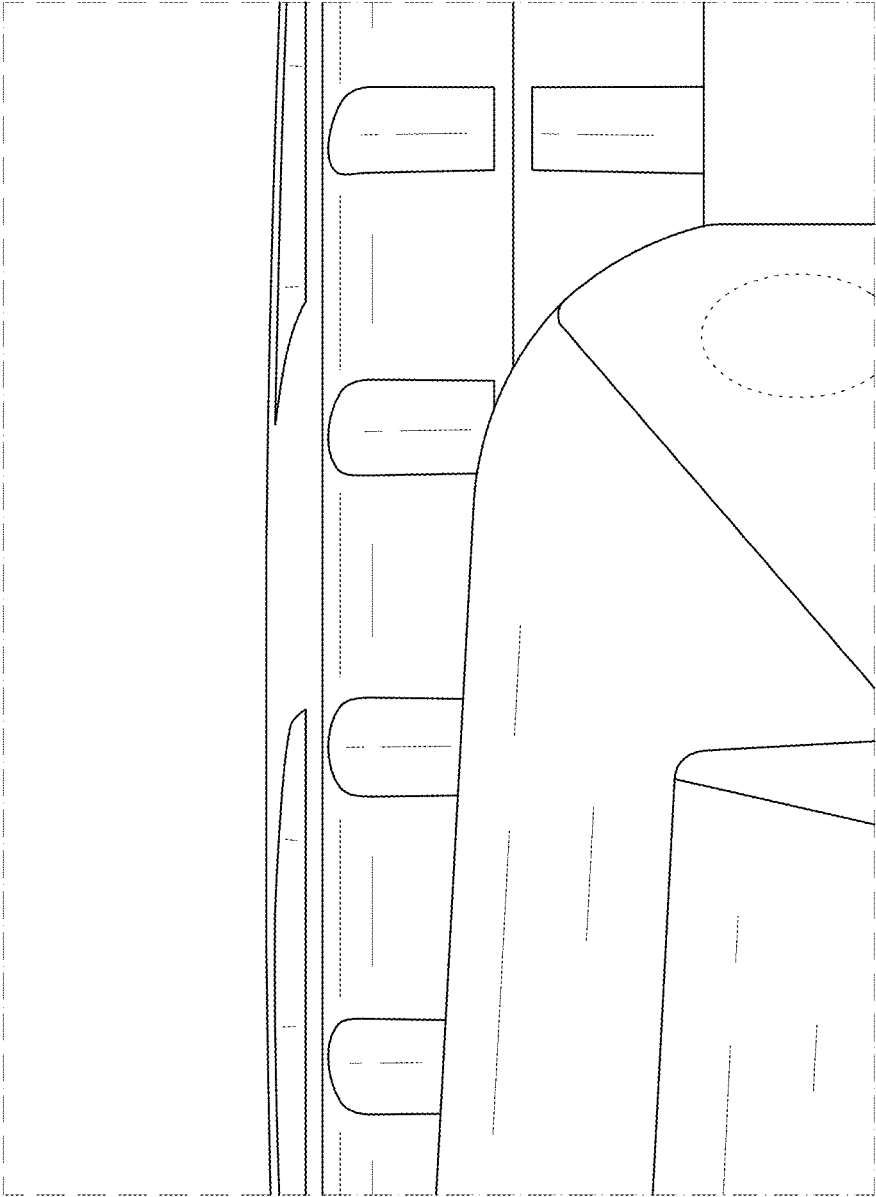


FIG. 19

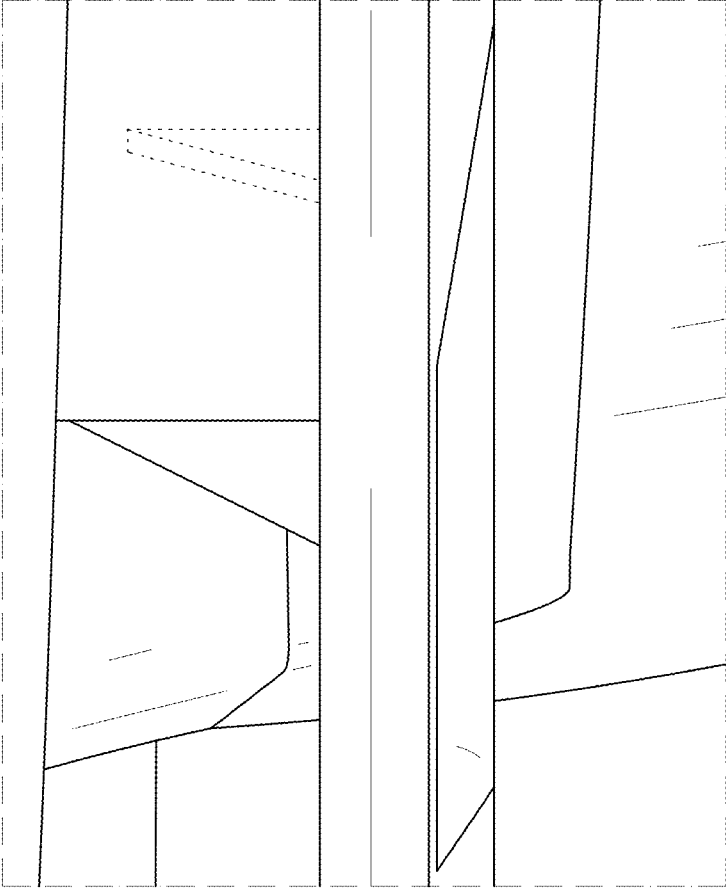


FIG. 20