



US00D639669S

(12) **United States Design Patent**
Adler et al.

(10) **Patent No.:** **US D639,669 S**

(45) **Date of Patent:** **** Jun. 14, 2011**

(54) **PRESCRIPTION MEDICATION BOTTLE WITH A DETACHABLE CAP**

(75) Inventors: **Deborah Adler**, New York, NY (US);
Duane Sawyer, York, PA (US)

(73) Assignee: **Deborah Adler LLC**, New York, NY (US)

(**) Term: **14 Years**

(21) Appl. No.: **29/341,800**

(22) Filed: **Aug. 12, 2009**

(51) **LOC (9) Cl.** **09-01**

(52) **U.S. Cl.** **D9/559; D9/560; D9/575; D9/435; D9/455**

(58) **Field of Classification Search** D9/414,
D9/416, 432, 434, 435, 516, 517, 520, 529,
D9/530, 541, 542, 559, 560, 572, 573, 575,
D9/445, 449, 455; 215/381-385, 200, 379,
215/316

See application file for complete search history.

(56) **References Cited**

U.S. PATENT DOCUMENTS

D45,704 S	5/1914	Falk	
1,611,443 A *	12/1926	Hothersall	222/542
2,641,374 A *	6/1953	Der Yuen	215/10
2,692,083 A	10/1954	Marsh	
2,696,991 A	12/1954	Rieger	
3,286,902 A *	11/1966	Hunter et al.	229/406
D210,193 S	2/1968	Limbach	D9/432
D210,194 S	2/1968	Limbach	D9/432
D210,195 S *	2/1968	Limbach	D9/432
D212,413 S *	10/1968	Lacoste	D9/432
D241,013 S *	8/1976	Decker	D9/529
D263,605 S	3/1982	Zborowsky	
D274,396 S *	6/1984	Kikuchi	D7/605
D275,578 S	9/1984	Manor	
D276,245 S	11/1984	Larsson	
4,617,215 A	10/1986	Telesco	
D322,815 S	12/1991	Gollon	
D368,031 S *	3/1996	Chahed	D9/432
D405,118 S	2/1999	Murphy, Sr. et al.	

5,937,866 A *	8/1999	Magharehi	132/116
D473,264 S	4/2003	Sanford et al.	
D489,612 S *	5/2004	Kostow	D9/445
D493,197 S	7/2004	Tagawa	
D496,274 S *	9/2004	Egawa	D9/432
D496,405 S	9/2004	Stewart et al.	
D499,341 S *	12/2004	Lovison	D9/529
D500,342 S	12/2004	Stewart et al.	
D500,524 S	1/2005	Stewart et al.	
D503,197 S	3/2005	Stewart et al.	

(Continued)

Primary Examiner — Stella M Reid

Assistant Examiner — Elizabeth J Oswecki

(74) *Attorney, Agent, or Firm* — Arnold & Porter LLP

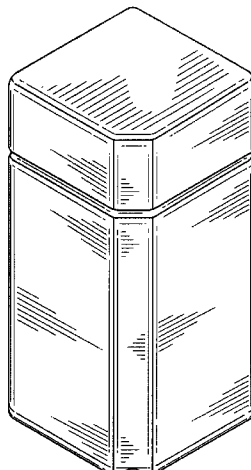
(57) **CLAIM**

The ornamental design for a prescription medication bottle with a detachable cap, as shown and described.

DESCRIPTION

FIG. 1 is a top right perspective view for a prescription medication bottle with a detachable cap, showing our new design; FIG. 2 is a rear view thereof; FIG. 3 is a front view thereof; FIG. 4 is a right side view thereof; FIG. 5 is a top view thereof; FIG. 6 is a bottom view thereof; FIG. 7 is a top right perspective view for a prescription medication bottle with a detachable cap, with the cap detached; FIG. 8 is a top right perspective view thereof; FIG. 9 is a front and right side view thereof; FIG. 10 is a left side and front view thereof; FIG. 11 is a rear and left side view thereof; FIG. 12 is a right side and rear view thereof; FIG. 13 is a top view thereof; FIG. 14 is a top right perspective view of a prescription medication bottle with a detachable cap, showing only a cap; FIG. 15 is a top view thereof; FIG. 16 is a bottom view thereof; FIG. 17 is a bottom front perspective view thereof; and, FIG. 18 is a bottom right perspective view thereof.

1 Claim, 15 Drawing Sheets



US D639,669 S

Page 2

U.S. PATENT DOCUMENTS

D504,159	S	4/2005	Best et al.		
D515,141	S	2/2006	Li		
D515,193	S	* 2/2006	Chen	D23/366	
D526,206	S	* 8/2006	Varlet	D9/560	
7,087,298	B2	8/2006	Key		
D531,043	S	* 10/2006	Houtart et al.	D9/560	
D536,613	S	* 2/2007	Vogel et al.	D9/449	
D550,287	S	9/2007	Smart et al.		
D572,581	S	* 7/2008	Steele et al.	D9/721	
7,413,082	B2	8/2008	Adler et al.		
D579,336	S	* 10/2008	Gurciniene	D9/529	
D580,753	S	* 11/2008	Liden et al.	D9/432	
D588,200	S	3/2009	Langan et al.		
D590,720	S	* 4/2009	Oates et al.	D9/560	
D592,966	S	* 5/2009	Nissen	D9/560	
D597,608	S	8/2009	Langan et al.		
D598,055	S	8/2009	Gray et al.		
D602,534	S	10/2009	Langan et al.		
D603,455	S	11/2009	Griena		
D603,717	S	* 11/2009	Rica	D9/560	
D604,175	S	* 11/2009	Rica	D9/560	
D605,230	S	12/2009	Langan et al.		
D607,941	S	1/2010	Langan et al.		
D617,386	S	6/2010	Heinke		
D618,106	S	* 6/2010	Boudard	D9/529	
D620,368	S	* 7/2010	Pedersen	D9/529	
D620,369	S	* 7/2010	Servaire et al.	D9/529	
D622,321	S	8/2010	Smart		
2003/0056410	A1	3/2003	Witkowski		
2005/0076549	A1	4/2005	Sellars		
2008/0034628	A1	2/2008	Schnuckle		
2008/0257777	A1	10/2008	Miceli et al.		
2008/0303264	A1	12/2008	Kaufman		

* cited by examiner

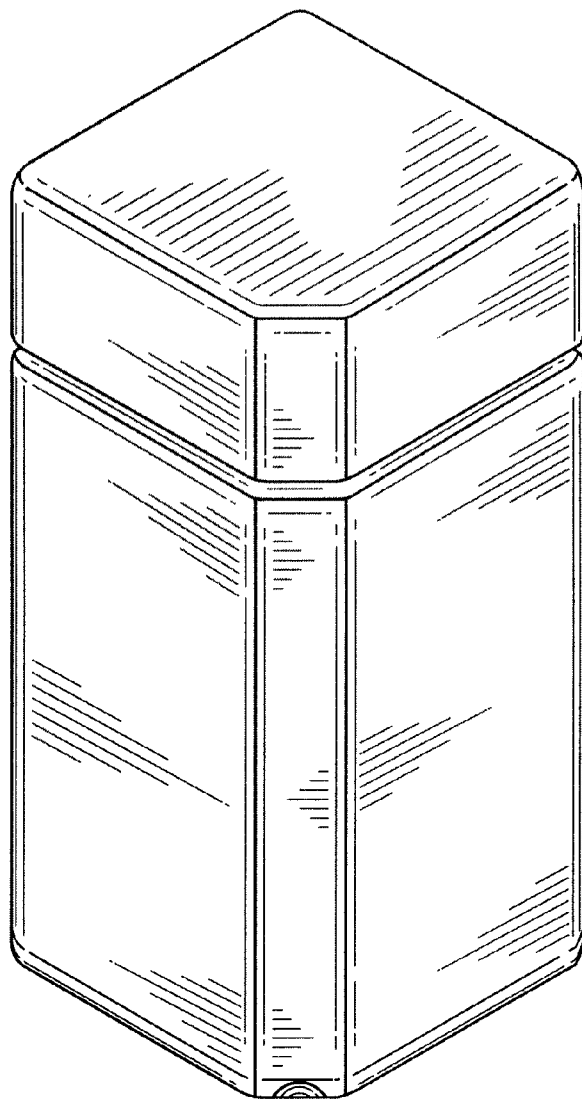


FIG. 1

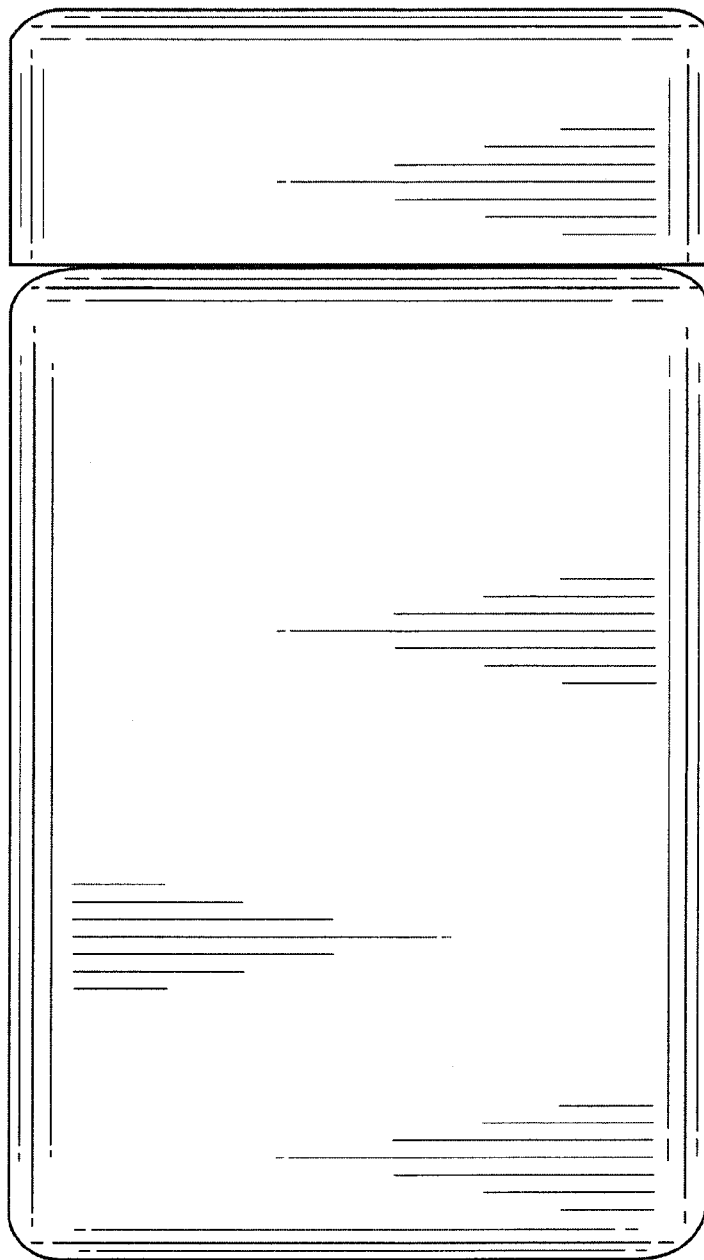


FIG. 2

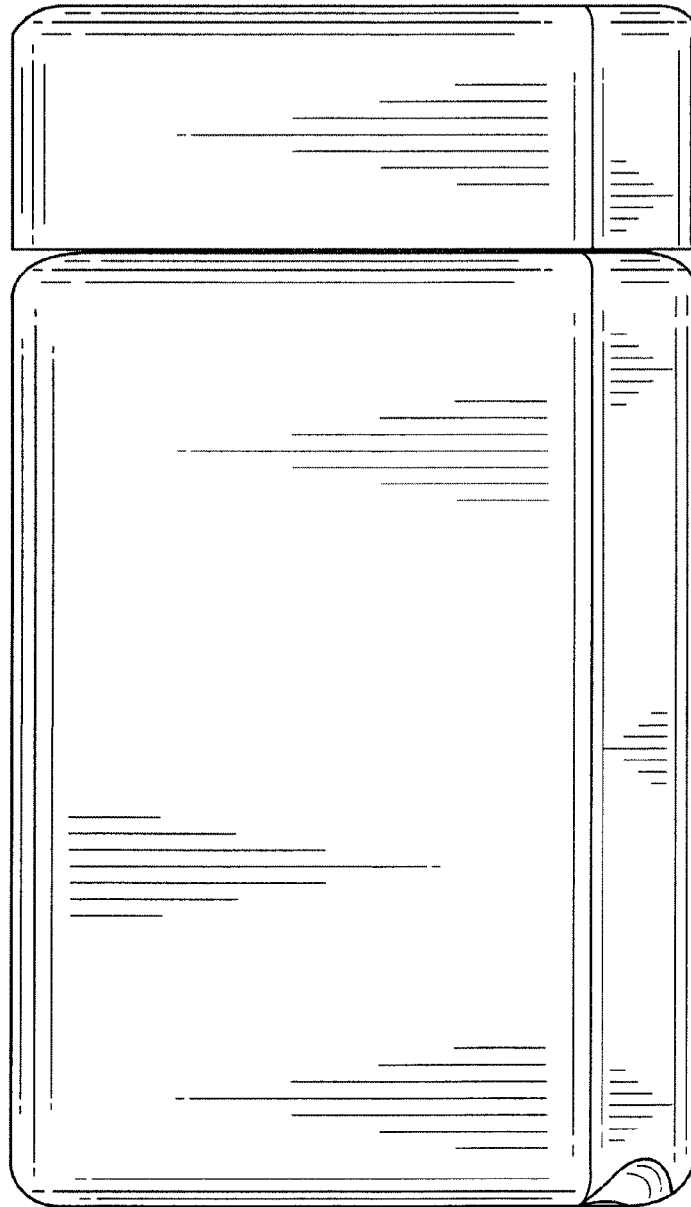


FIG. 3

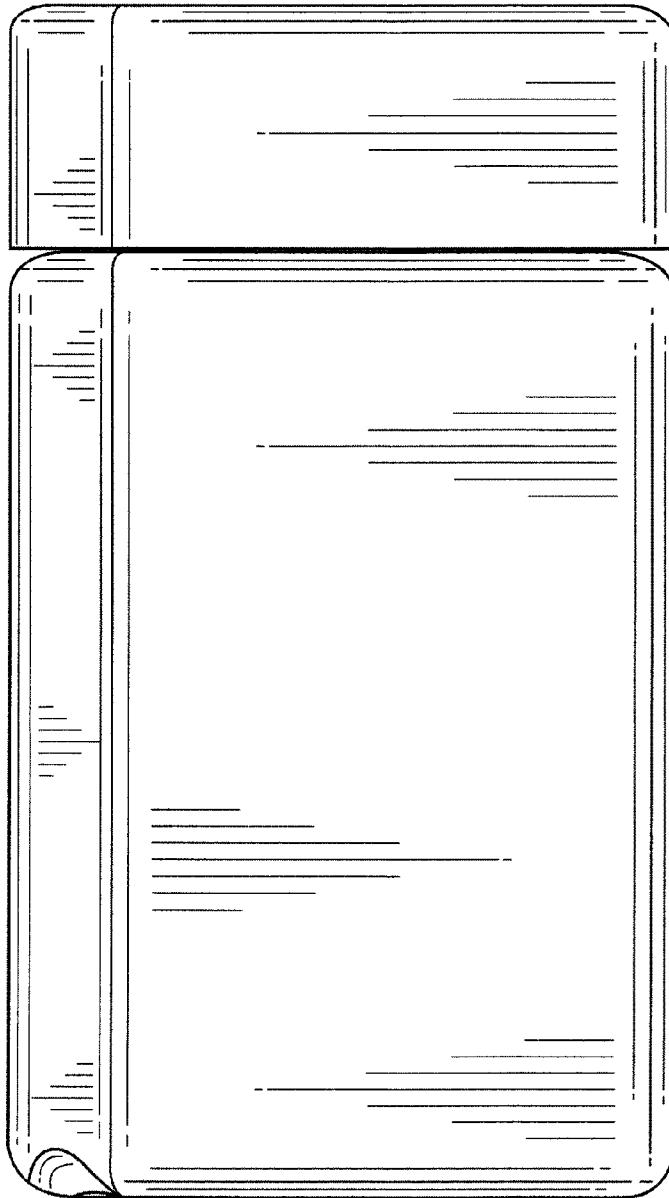


FIG. 4

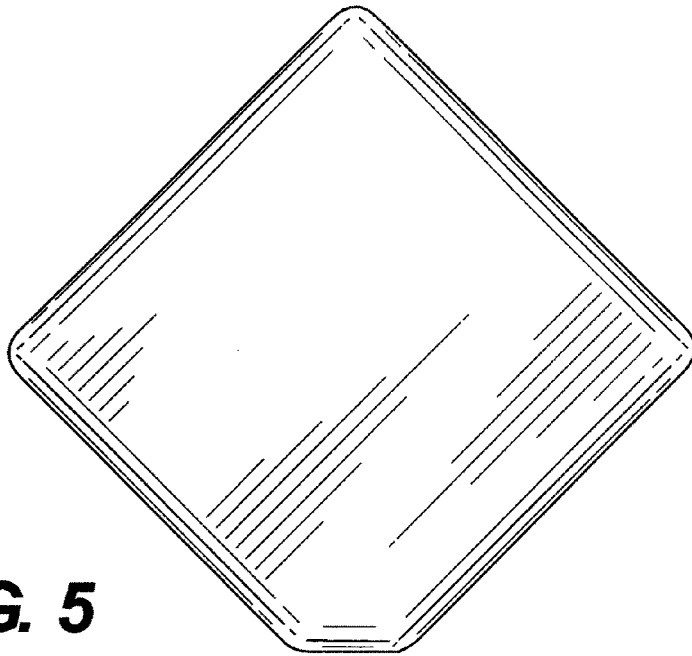


FIG. 5

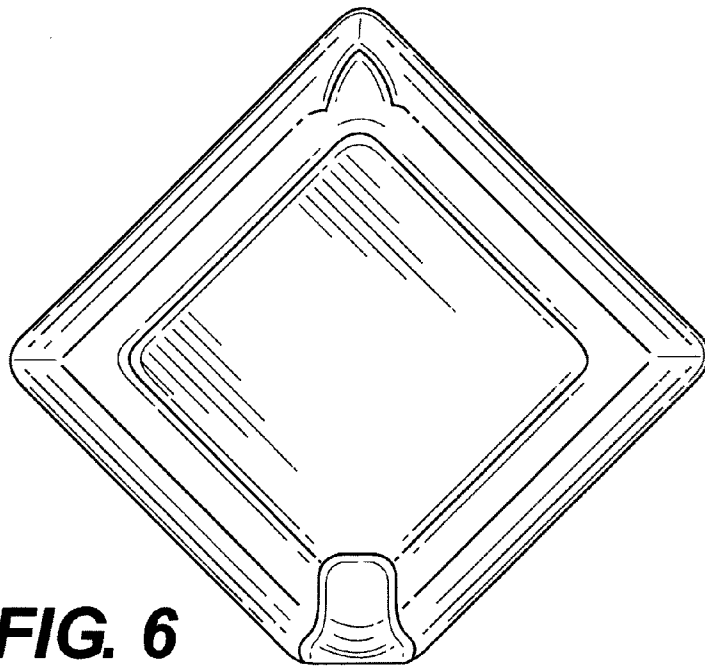


FIG. 6

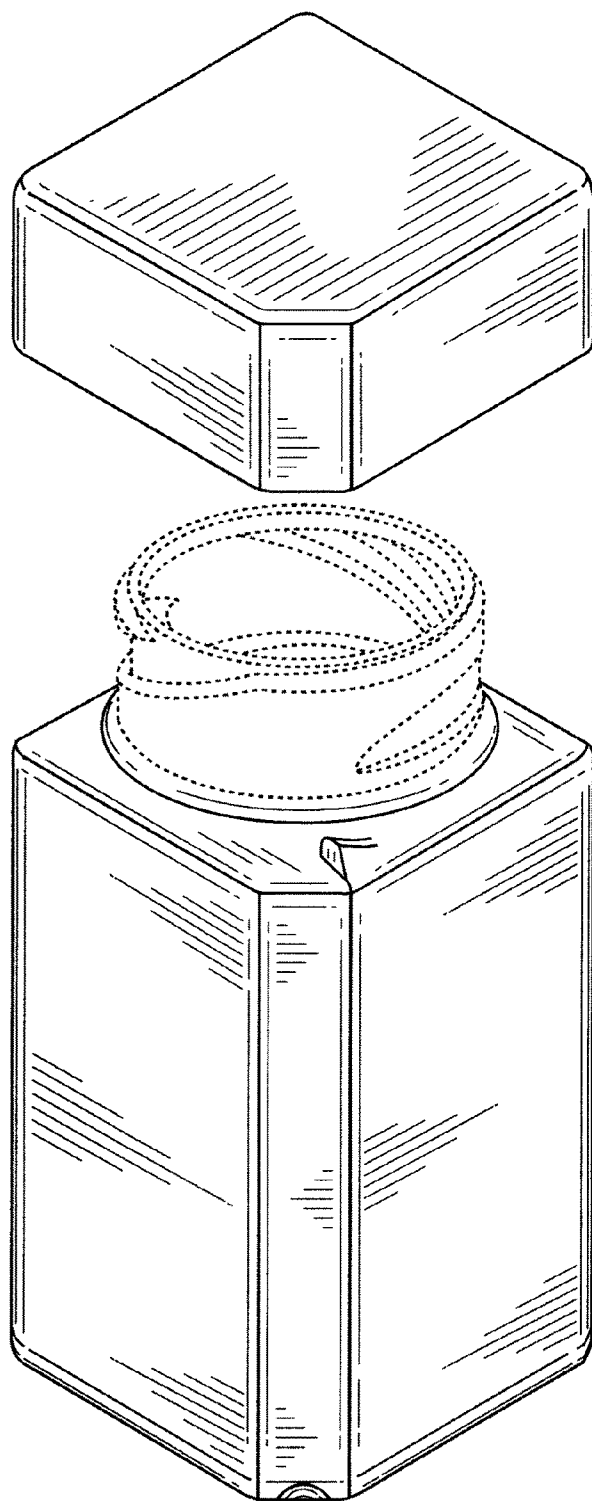


FIG. 7

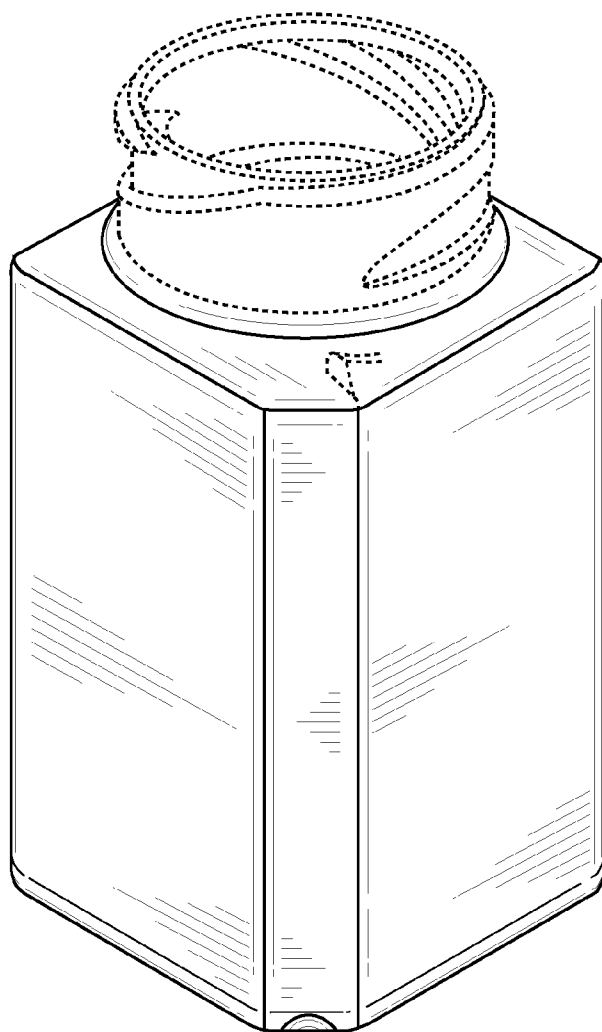


FIG. 8

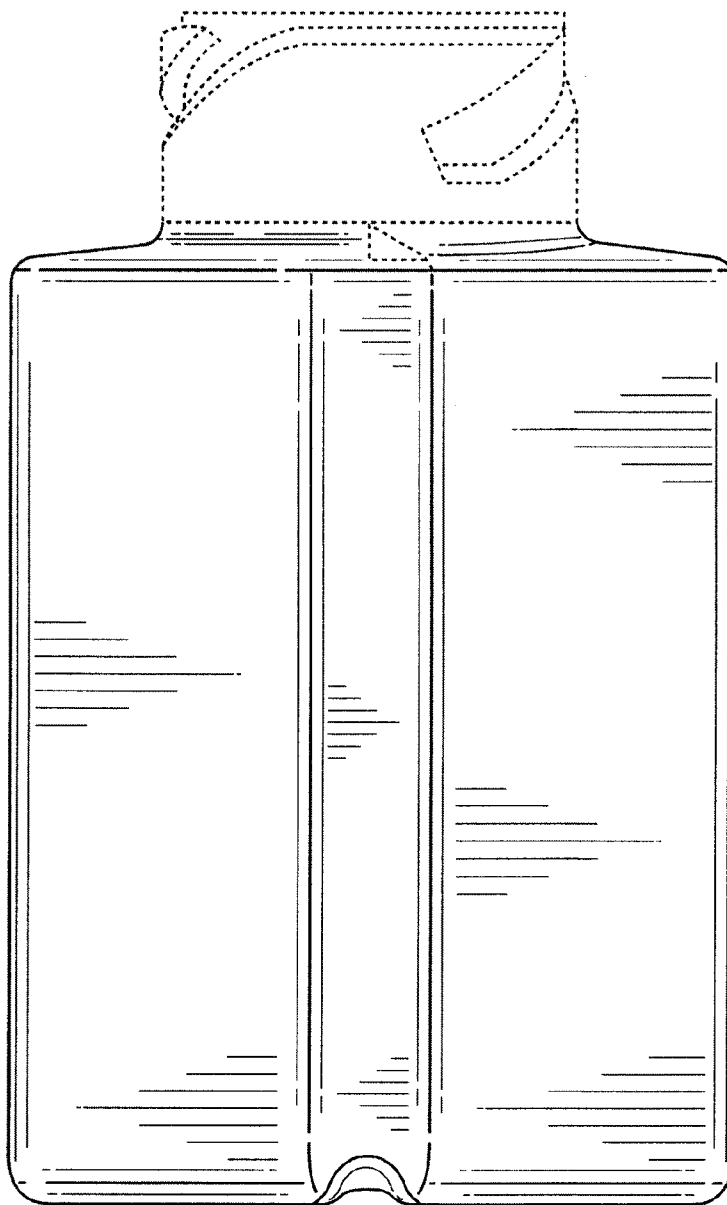


FIG. 9

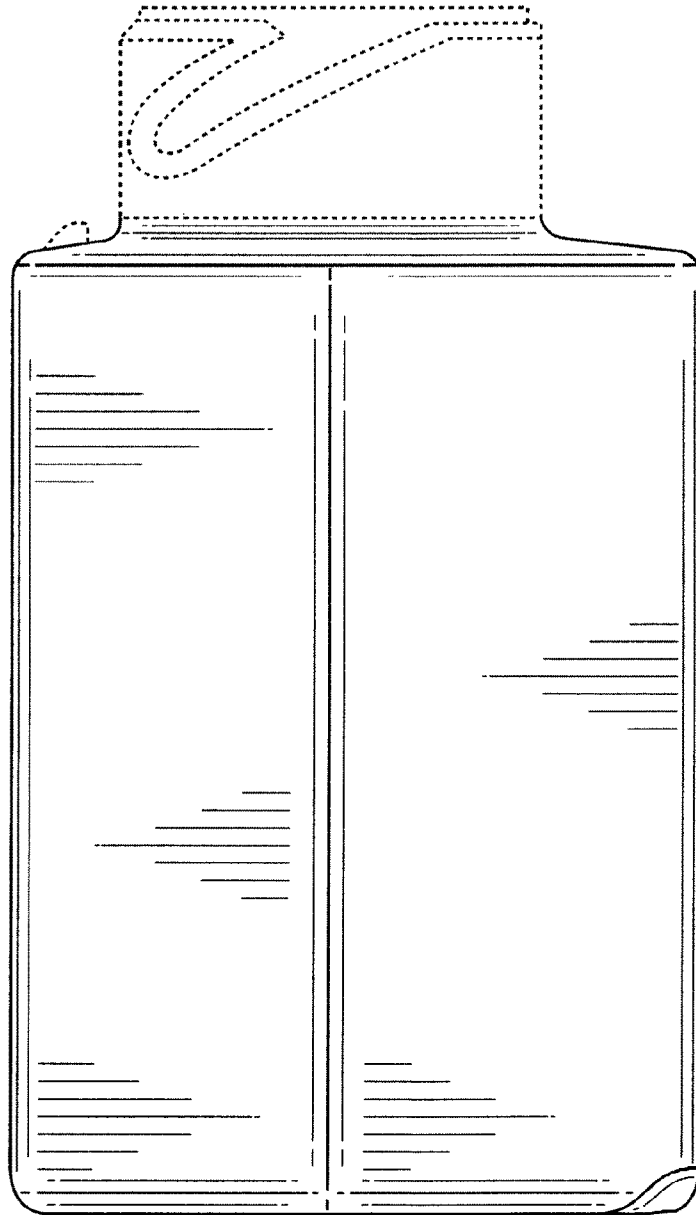


FIG. 10

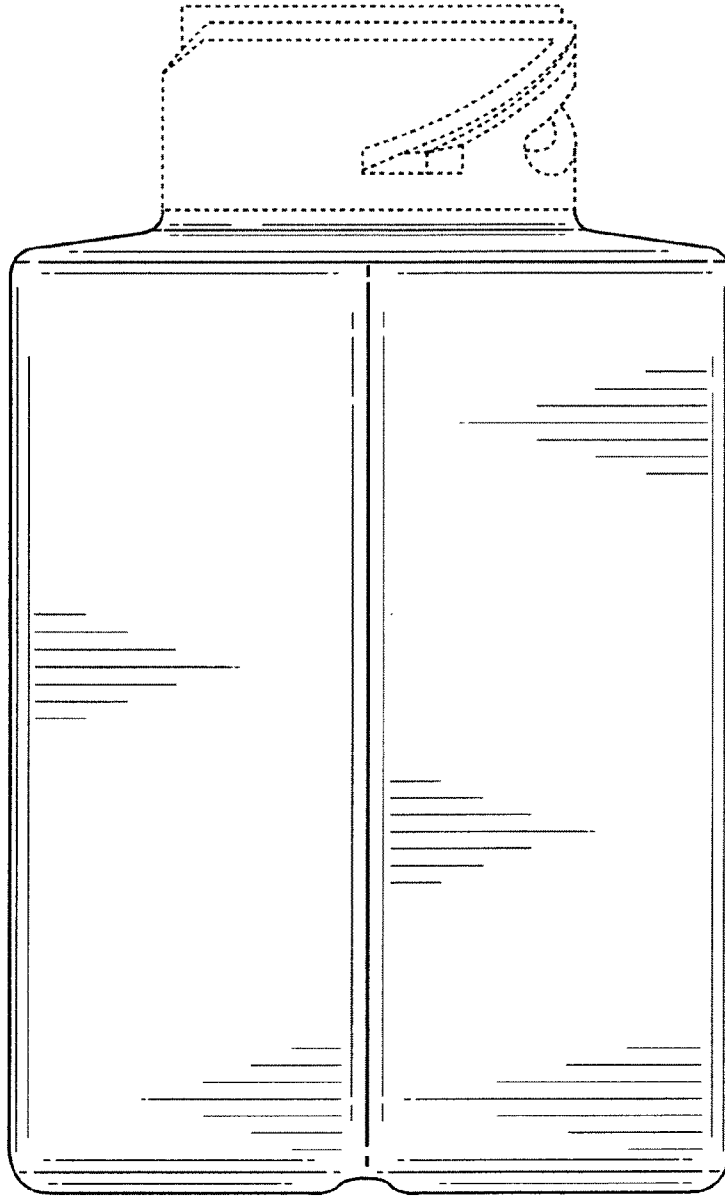


FIG. 11

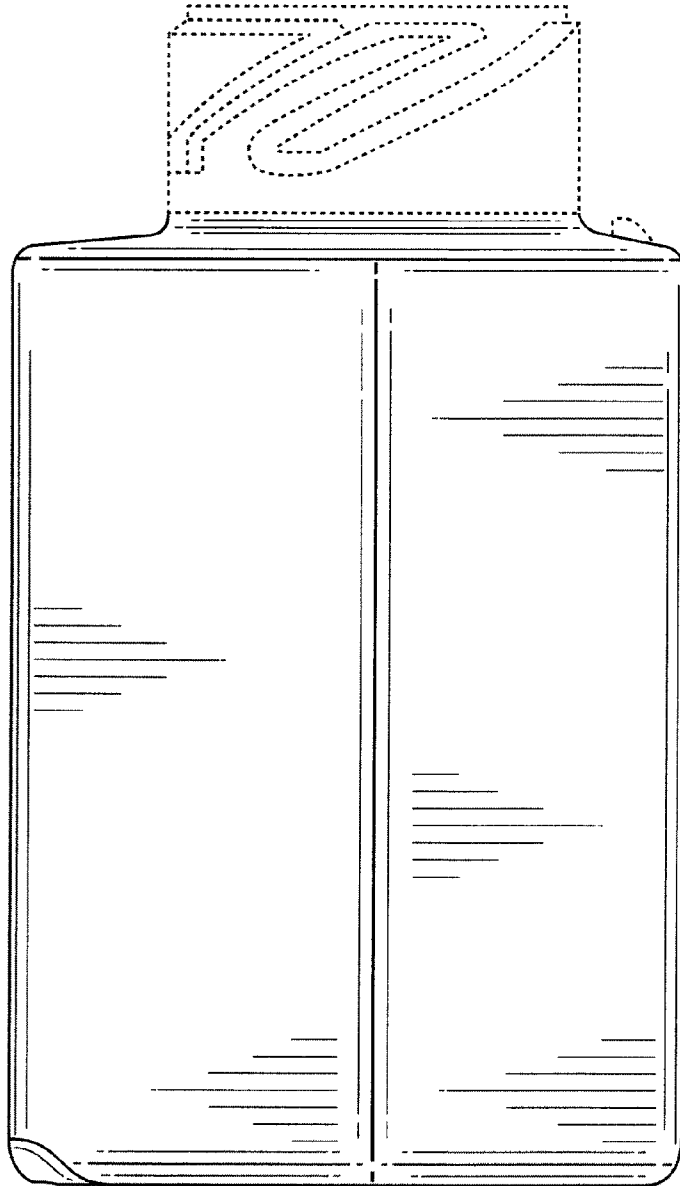


FIG. 12

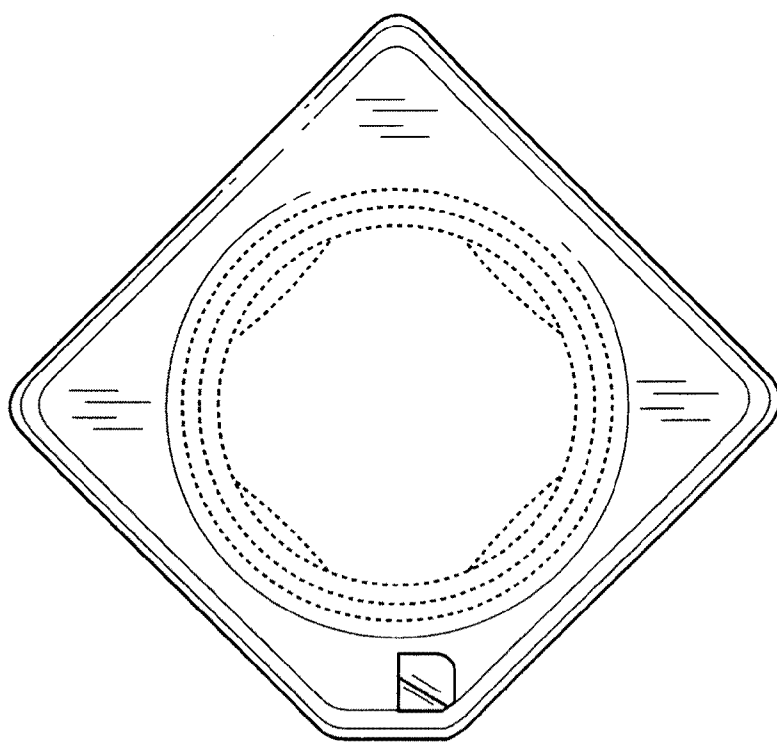


FIG. 13

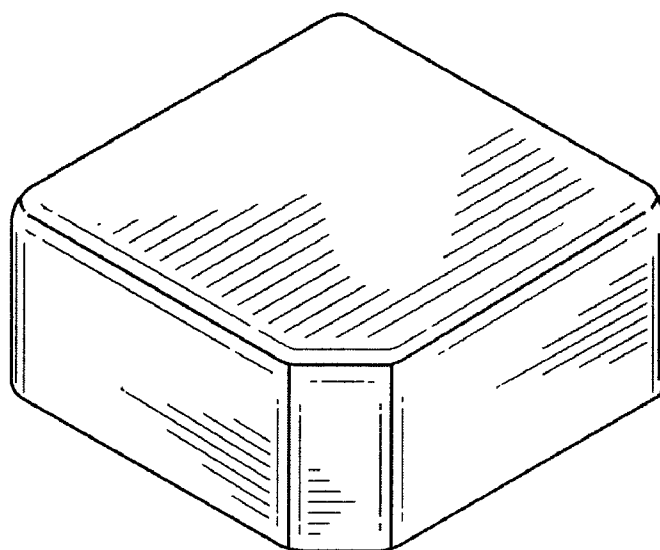


FIG. 14

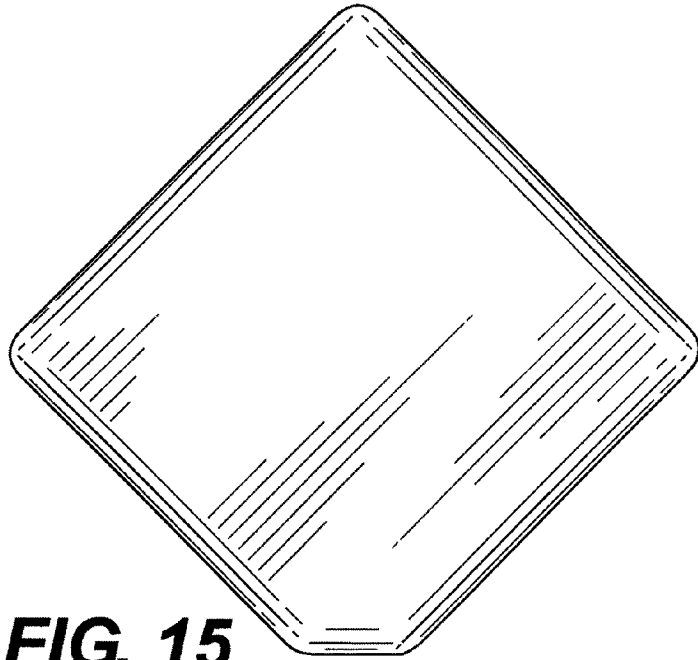


FIG. 15

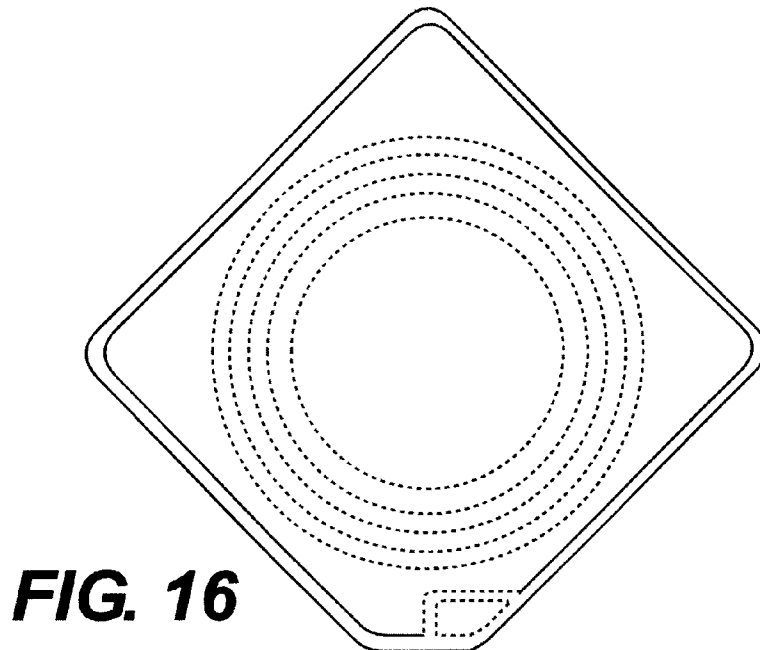


FIG. 16

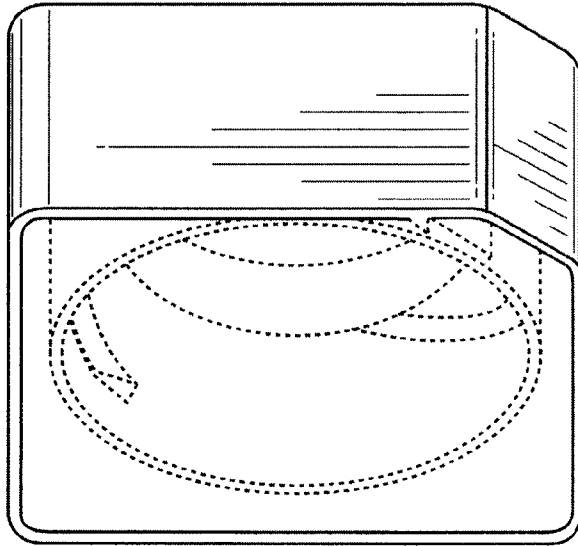


FIG. 17

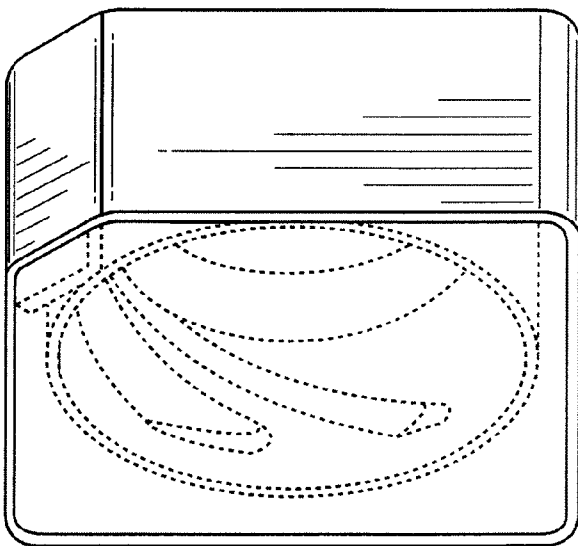


FIG. 18