



US00D758717S

(12) **United States Design Patent**
Joo et al.

(10) **Patent No.:** **US D758,717 S**

(45) **Date of Patent:** **** Jun. 14, 2016**

(54) **TOTE**

(71) Applicant: **SKIP HOP, INC.**, New York, NY (US)

(72) Inventors: **Rany Joo**, Hawthorne, NY (US);
Chelsea Carter, Brooklyn, NY (US);
Ellen Diamant, New York, NY (US)

(73) Assignee: **SKIP HOP, INC.**, New York, NY (US)

(**) Term: **14 Years**

(21) Appl. No.: **29/493,466**

(22) Filed: **Jun. 10, 2014**

(51) **LOC (10) Cl.** **03-01**

(52) **U.S. Cl.**
USPC **D3/232**

(58) **Field of Classification Search**
USPC D3/232–233, 240–243, 245, 246, 318;
150/100, 103–110, 113, 114, 117–119
CPC A45C 1/024; A45C 3/06
See application file for complete search history.

(56) **References Cited**

U.S. PATENT DOCUMENTS

D144,114 S *	3/1946	Kaphan	D3/245
D256,632 S *	9/1980	Workman	D3/287
D390,004 S *	2/1998	Tawil	D3/232
D418,308 S *	1/2000	Lu	D5/53
D489,905 S *	5/2004	Hynnek	D5/53
D546,058 S *	7/2007	Guyon	D3/233
D555,431 S *	11/2007	Gostt	D3/244
D559,538 S *	1/2008	Dew	D3/232
D570,111 S *	6/2008	Guyon	D3/246
D581,659 S *	12/2008	Sassi	D3/232
D587,451 S *	3/2009	Guichot	D3/246
D658,873 S *	5/2012	Guyon	D3/245
D666,837 S *	9/2012	Elser	D5/58
D710,116 S *	8/2014	Blackford	D5/58
D714,546 S *	10/2014	Joo	D3/245

D715,544 S *	10/2014	Levine	D3/246
D730,643 S *	6/2015	Langer	D3/232
2002/0121322 A1 *	9/2002	Seamon	A45C 1/024 150/113
2003/0136623 A1 *	7/2003	Renz	A45C 3/06 190/111
2009/0294237 A1 *	12/2009	Sisitsky	A45C 1/024 190/103

* cited by examiner

Primary Examiner — Derrick Holland

Assistant Examiner — Jennifer O King

(74) *Attorney, Agent, or Firm* — Stephen J. Weyer, Esq.;
Stites & Harbison, PLLC

(57) **CLAIM**

The ornamental design for a tote, as shown and described.

DESCRIPTION

FIG. 1 is a perspective view taken from the top, front, and left side of the tote of the present invention.

FIG. 2 is a left side elevational view of the tote of FIG. 1, the opposite side being nearly a mirror image thereof.

FIG. 3 is a bottom plan view of the tote of FIG. 1.

FIG. 4 is a top plan view of the tote of FIG. 1.

FIG. 5 is a front elevational view of the tote of FIG. 1.

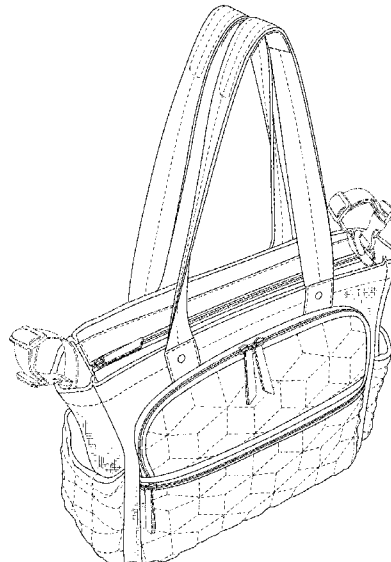
FIG. 6 is a rear elevational view of the tote of FIG. 1.

FIG. 7 is a perspective view taken from the top, front, and left side of the tote of FIG. 1, in which a front center pouch zipper is open showing two removable organizers inside the pouch; and,

FIG. 8 is an exploded view of the tote of FIG. 7, in which the two removable organizers are depicted outside the front center pouch.

Portions drawn in dash-dot broken lines are unclaimed elements and do not form any part of the claimed design. The dash-dash broken lines shown represent stitching, and are part of the claimed design.

1 Claim, 8 Drawing Sheets



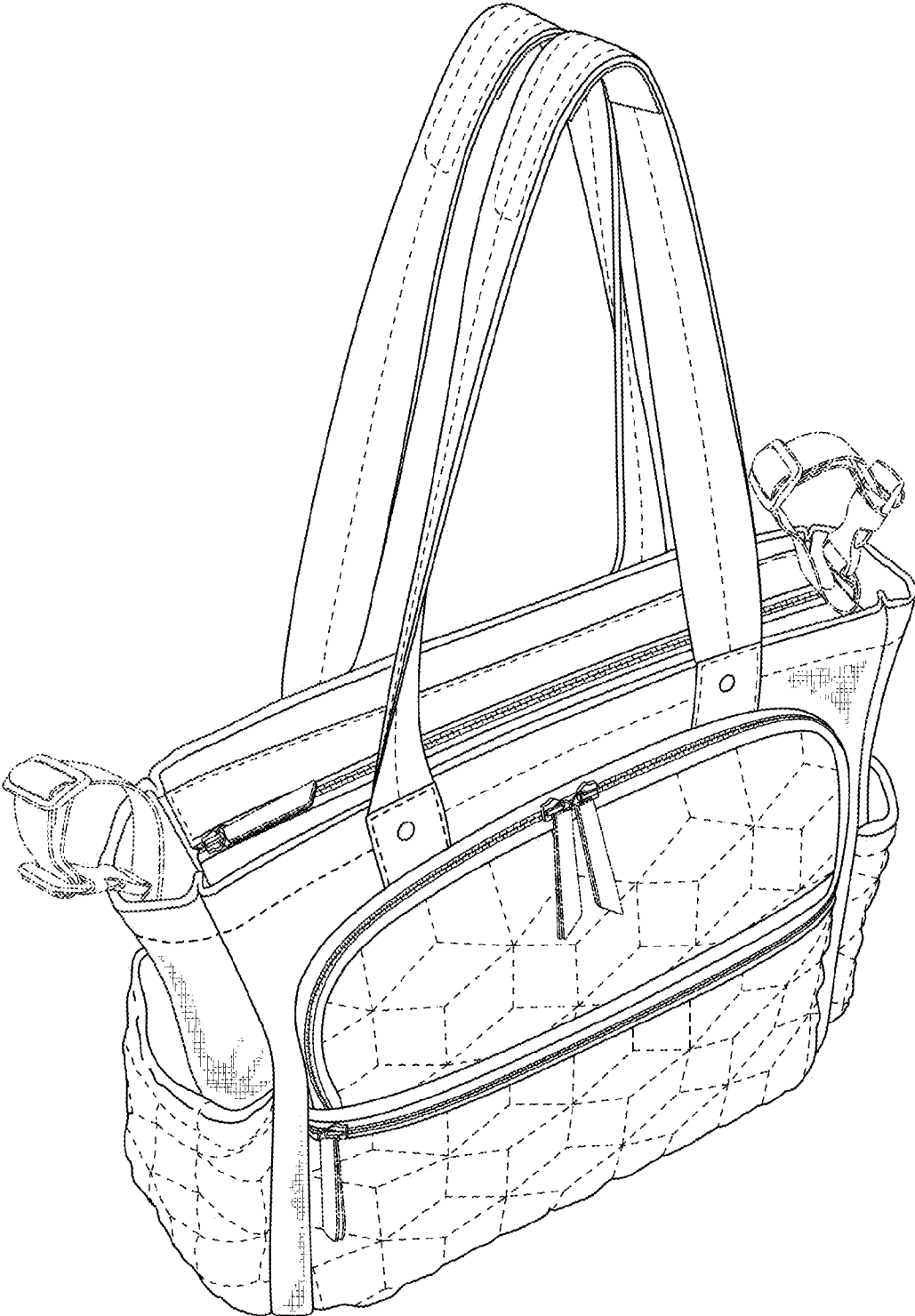


FIG. 1

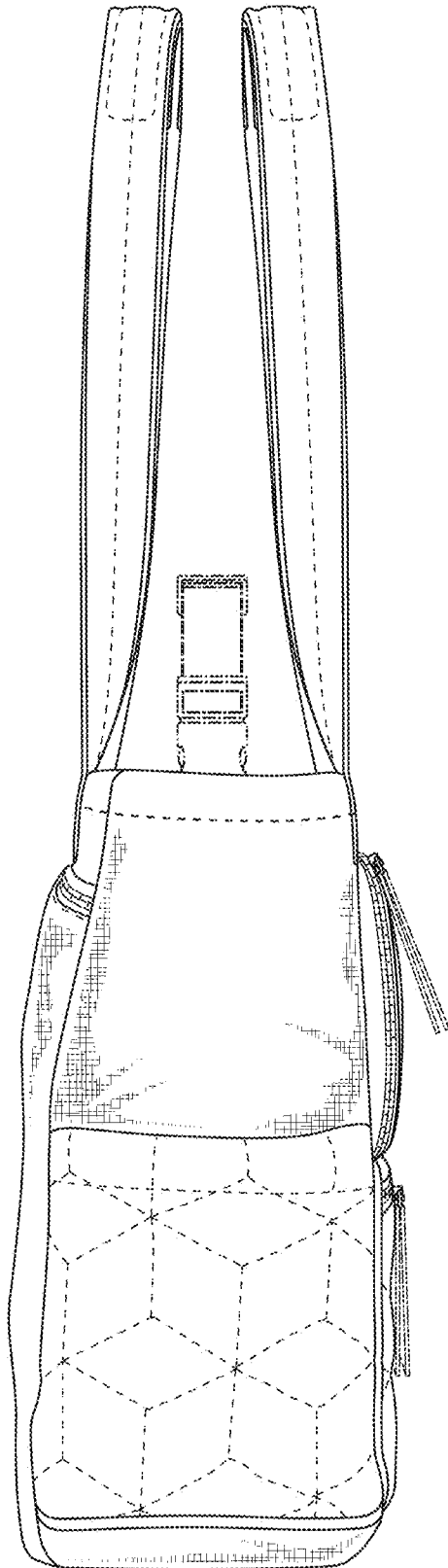


FIG. 2

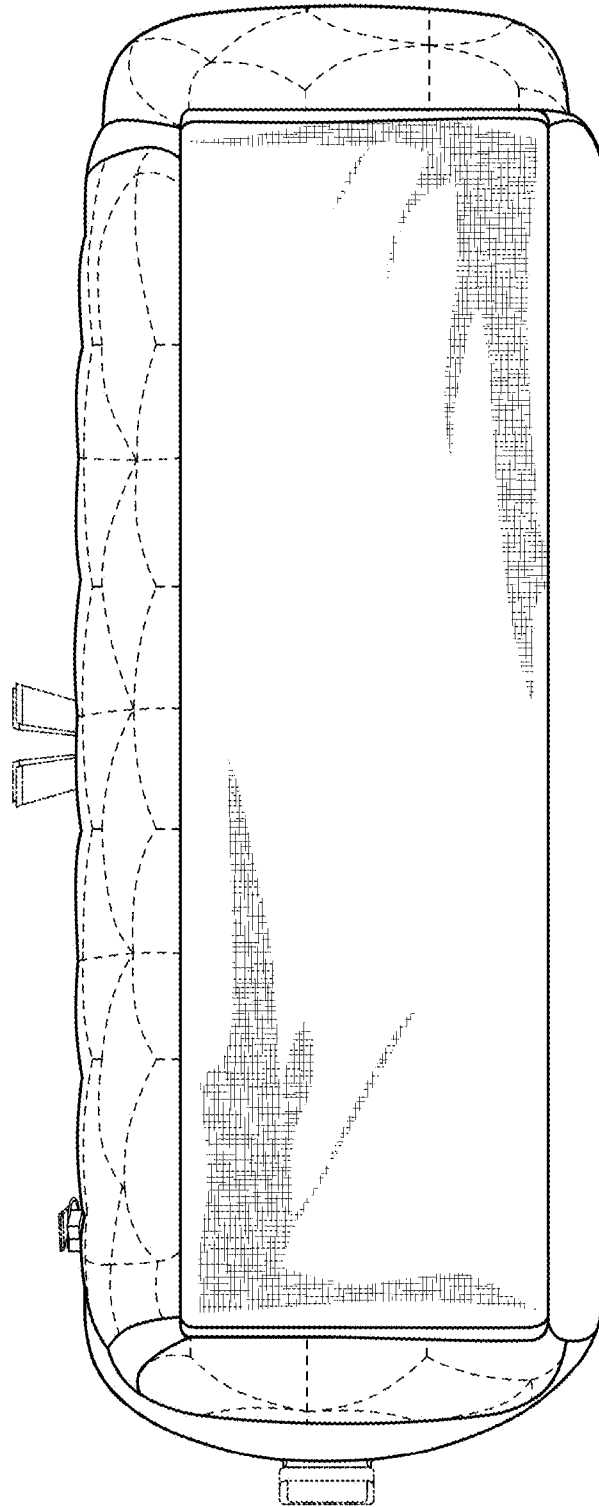


FIG. 3

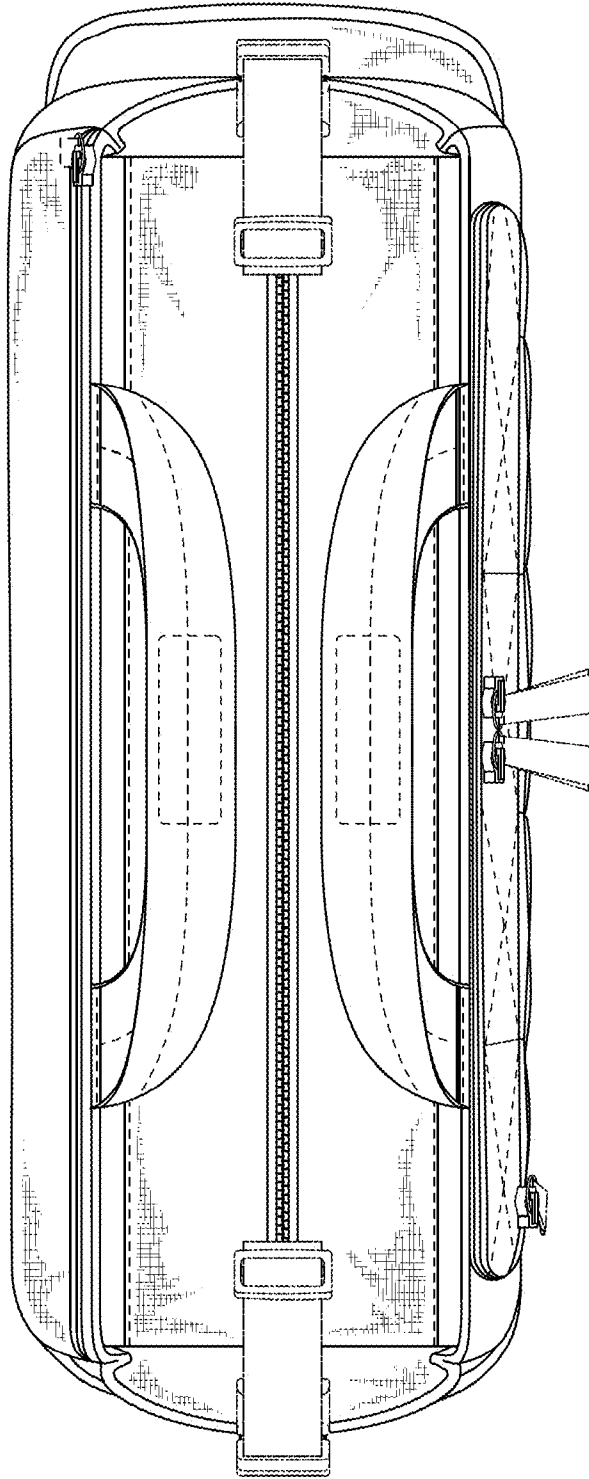


FIG. 4

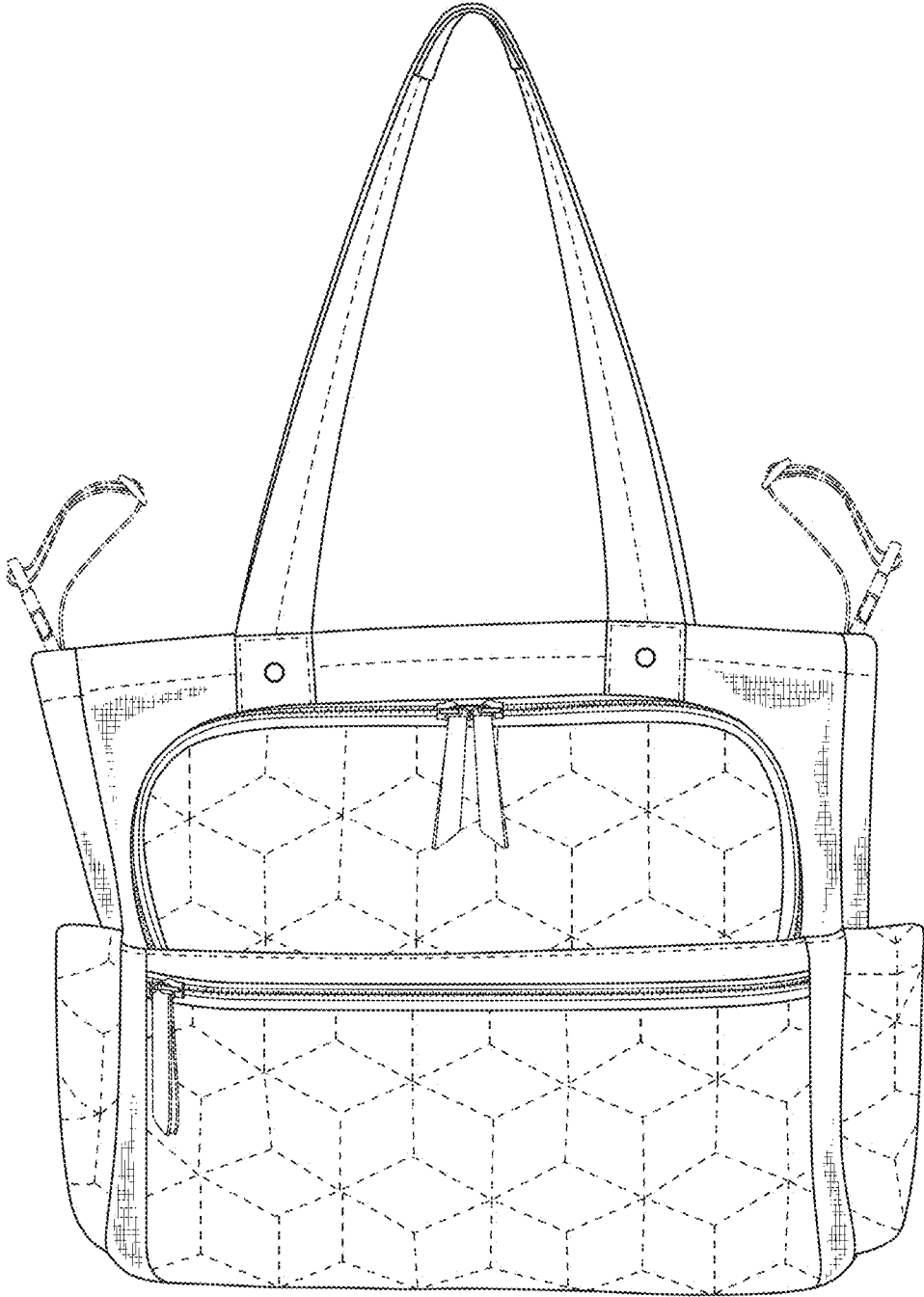


FIG. 5

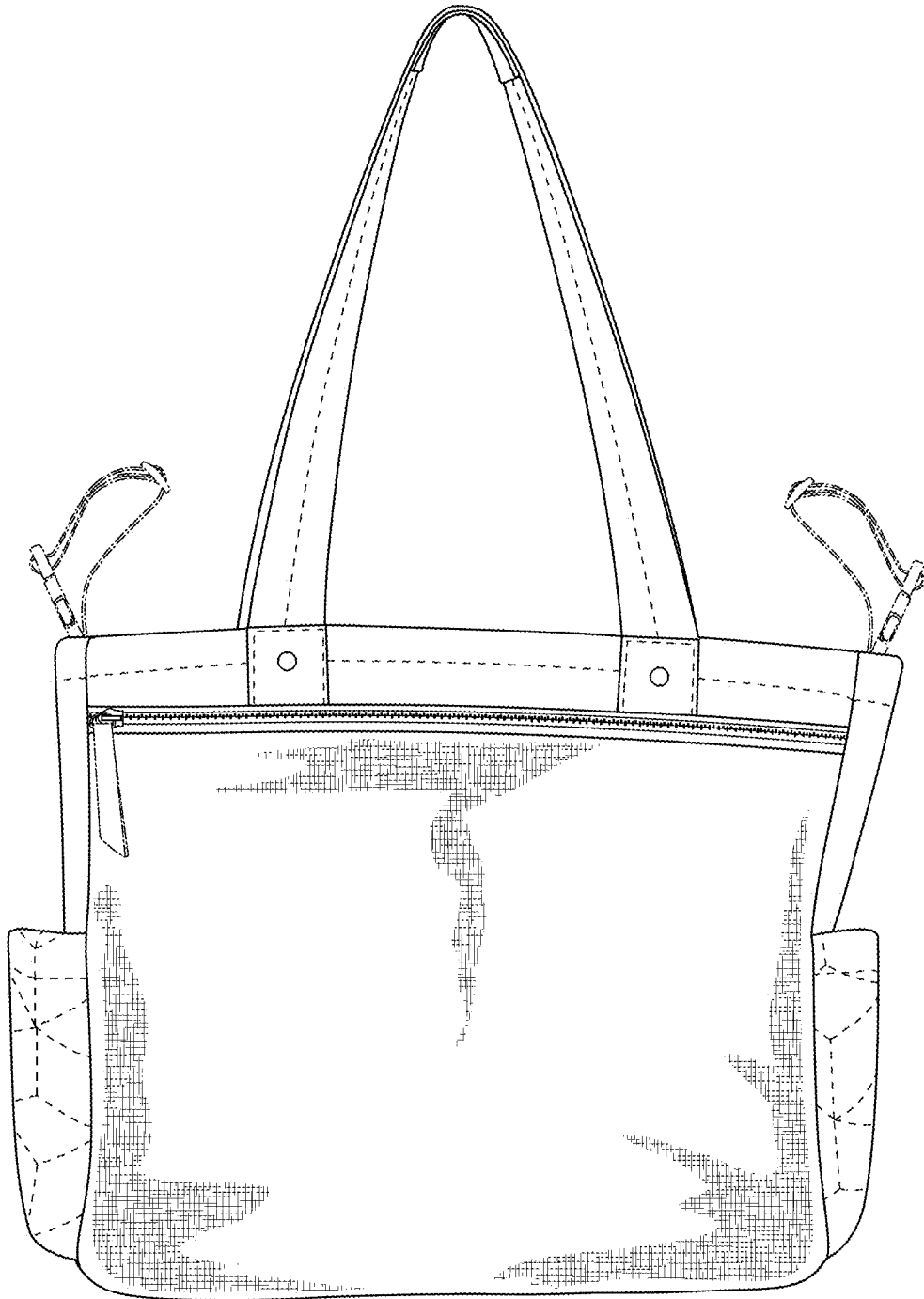


FIG. 6

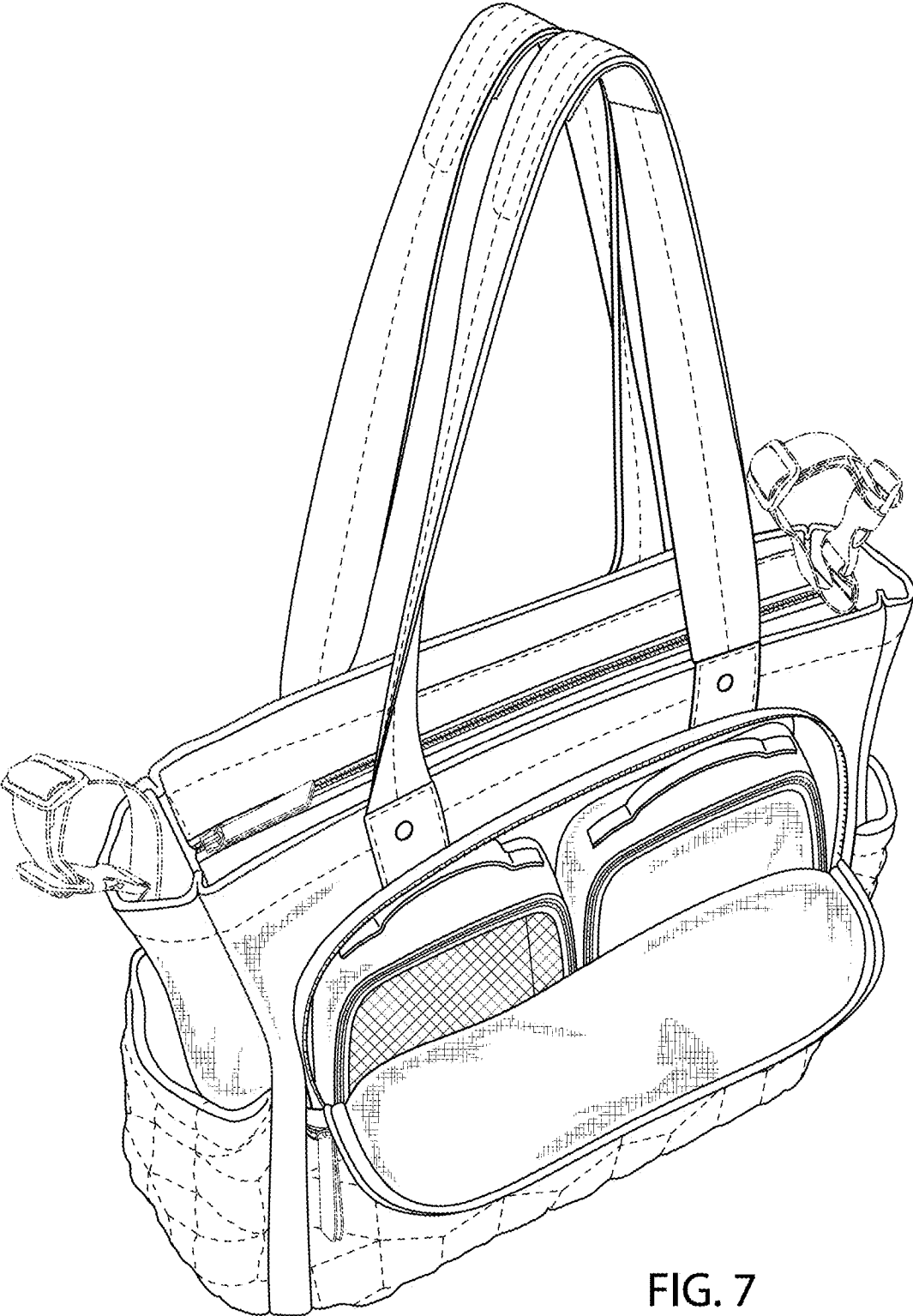


FIG. 7

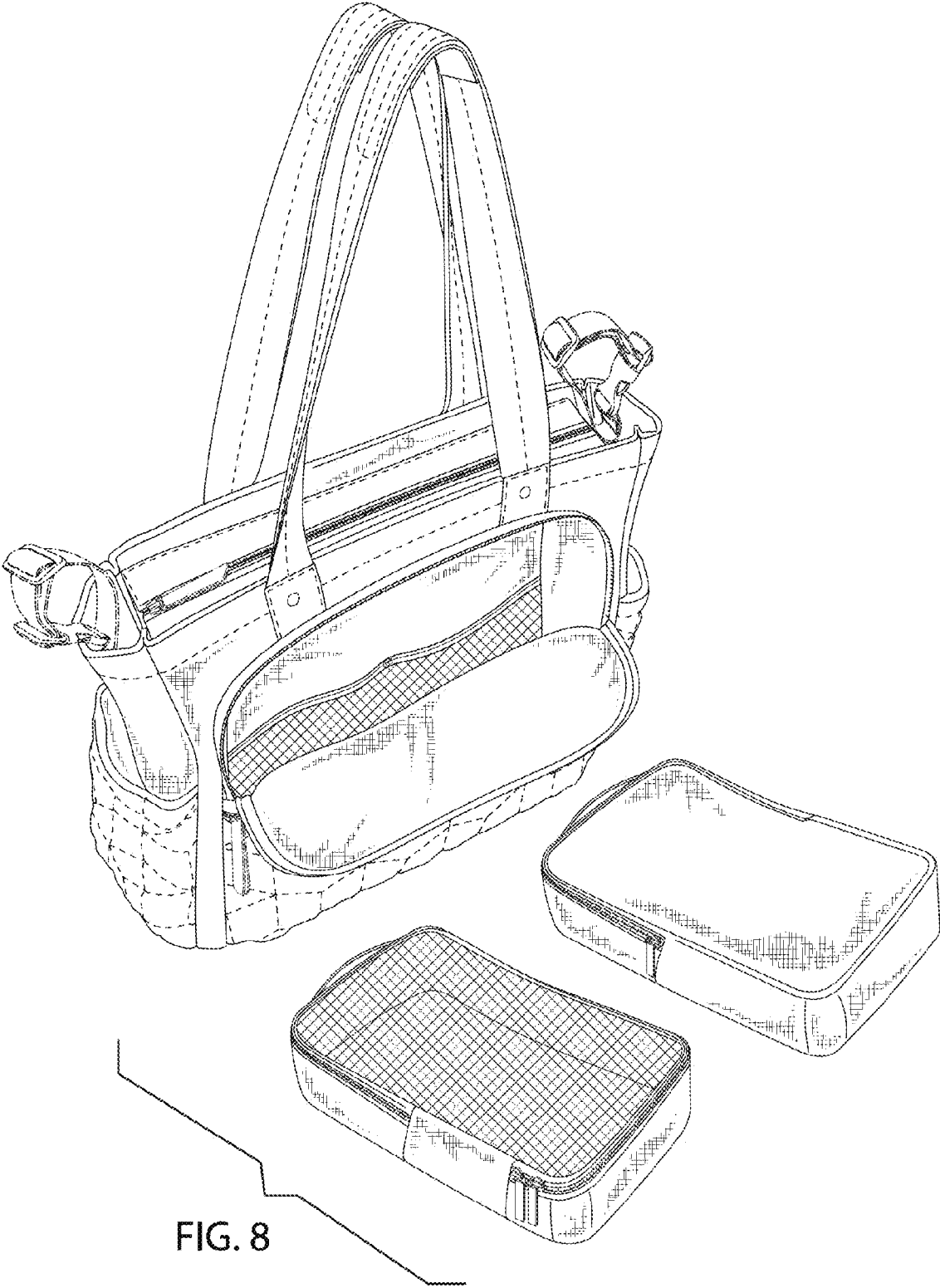


FIG. 8