



US00D743257S

(12) **United States Design Patent**  
**Van Handel et al.**

(10) **Patent No.:** **US D743,257 S**

(45) **Date of Patent:** **\*\* Nov. 17, 2015**

(54) **PUMP DISPENSER**

(71) Applicant: **S.C. Johnson & Son, Inc.**, Racine, WI  
(US)

(72) Inventors: **Mark J. Van Handel**, Greendale, WI  
(US); **Neil P. Williams**, Racine, WI  
(US); **Steven A. Zach**, Waterford, WI  
(US)

(73) Assignee: **S.C. Johnson & Son, Inc.**, Racine, WI  
(US)

(\*\*) Term: **14 Years**

(21) Appl. No.: **29/504,285**

(22) Filed: **Oct. 3, 2014**

B05B 11/3026; B05B 11/3028; B05B 11/3029;  
B05B 11/303; B05B 11/3032; B05B 11/3033;  
B05B 11/3035; B05B 11/3036; B05B  
11/3038; B05B 11/3039; B05B 11/304;  
B05B 11/3042; B05B 11/3043; B05B 11/3045;  
B05B 11/3046; B05B 11/3047; B05B  
11/3049; B05B 11/305; B05B 11/3052;  
B05B 11/3053; B05B 11/3054; B05B  
11/3056; B05B 11/3057; B05B 11/3059;  
B05B 11/306; B65D 83/14; B65D 83/16;  
B65D 83/20; B65D 83/201; B65D 83/202;  
B65D 83/203; B65D 83/205; B65D 83/206;  
B65D 83/207; B65D 83/22; B65D 83/222;  
B65D 83/28; B65D 83/30; B65D 83/32;  
B65D 83/38; B65D 83/384; B65D 83/386;  
B65D 83/40; B65D 83/75; B65D 83/753;  
B65D 83/285

See application file for complete search history.

**Related U.S. Application Data**

(62) Division of application No. 29/415,663, filed on Mar.  
13, 2012, now Pat. No. Des. 717,664.

(51) **LOC (10) Cl.** ..... **09-99**

(52) **U.S. Cl.**  
USPC ..... **D9/499**; D9/682; D9/447

(58) **Field of Classification Search**

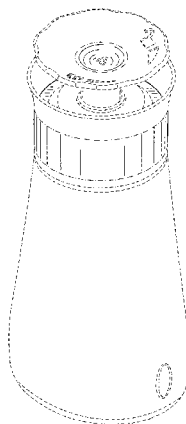
USPC ..... D9/682-694, 695, 723-729, 500-505,  
D9/435, 436, 442, 445, 447-450, 719, 516,  
D9/537-546, 549-558, 434, 439, 440,  
D9/763-783; D28/76, 77, 91, 91.1  
CPC ..... A45D 2034/007; A45D 34/04; A45D  
34/041; A45D 34/00; A45D 34/02; A45D  
2200/055; A45D 2200/056; A45D 2200/057;  
A45D 2200/058; A45D 40/0075; A45D 19/02;  
A45D 2040/26; A45D 33/02; B05B 11/00;  
B05B 11/0037; B05B 1/02; B05B 1/14;  
B05B 1/26; B05B 1/262; B05B 1/265; B05B  
11/3001; B05B 11/3002; B05B 11/3004;  
B05B 11/3005; B05B 11/3007; B05B  
11/3008; B05B 11/3009; B05B 11/3011;  
B05B 11/3012; B05B 11/3014; B05B  
11/3015; B05B 11/3016; B05B 11/3018;  
B05B 11/3019; B05B 11/3021; B05B  
11/3022; B05B 11/3023; B05B 11/3025;

(56)

**References Cited**

U.S. PATENT DOCUMENTS

D12,943	S	*	5/1882	Sanborn	.....	D9/500
D28,842	S	*	6/1898	Griffith	.....	D9/500
705,336	A	*	7/1902	Furber	.....	222/109
1,850,870	A	*	3/1932	Featherstone	.....	222/205
2,112,548	A	*	3/1938	Wilson	.....	222/321.6
2,183,662	A	*	12/1939	Warr et al.	.....	222/187
D124,645	S	*	1/1941	Palmer	.....	D9/777
D135,454	S	*	4/1943	Norris	.....	D9/505
2,378,624	A	*	6/1945	Edwards	.....	222/205
D148,101	S	*	12/1947	Wilde	.....	D9/777
2,593,591	A	*	4/1952	Menkin et al.	.....	222/205
2,774,517	A	*	12/1956	Teegardin et al.	.....	222/205
2,949,621	A	*	8/1960	Finn et al.	.....	401/148
2,949,622	A	*	8/1960	Finn	.....	401/148
3,249,265	A	*	5/1966	Wershaw et al.	.....	222/320
3,373,579	A	*	3/1968	Federighi	.....	62/293
3,431,749	A	*	3/1969	Morris et al.	.....	62/293
D214,831	S	*	8/1969	Lomont	.....	D7/598
3,504,862	A	*	4/1970	Lowry	.....	239/565
D222,800	S	*	1/1972	Donoghue	.....	D9/688
3,744,678	A	*	7/1973	Beres et al.	.....	222/205
3,756,472	A	*	9/1973	Vos	.....	222/189.06
D230,689	S	*	3/1974	Schweitzer	.....	D7/598
3,841,532	A	*	10/1974	Gores	.....	222/205
D234,492	S	*	3/1975	Peterson	.....	D9/542
3,917,127	A	*	11/1975	Berenstain	.....	222/402.13



D242,120	S	*	11/1976	Berenstein	.....	D9/688
D242,226	S	*	11/1976	Lonegren	.....	D9/448
4,066,187	A	*	1/1978	Nieman et al.	.....	222/57
4,701,167	A	*	10/1987	Chekan	.....	604/310
D325,783	S	*	4/1992	Anderson	.....	D24/193
D353,772	S	*	12/1994	Dunning	.....	D9/520
D434,974	S	*	12/2000	Weber	.....	D9/692
6,158,674	A	*	12/2000	Humphreys	.....	239/333
D481,949	S	*	11/2003	Pinnavaia	.....	D9/500
D550,099	S	*	9/2007	Isono et al.	.....	D9/686
D576,044	S	*	9/2008	Lamb et al.	.....	D9/504
D581,035	S		11/2008	Conway et al.		
D582,278	S	*	12/2008	Bourne	.....	D9/504
D610,915	S		3/2010	Conway et al.		
7,784,647	B2	*	8/2010	Tourigny	.....	222/205
D635,403	S		4/2011	Conway et al.		
D635,653	S		4/2011	Conway et al.		
7,950,388	B2	*	5/2011	Kunze et al.	.....	128/200.14
D669,366	S	*	10/2012	Baron	.....	D9/692
8,297,480	B2	*	10/2012	Soon	.....	222/389
D702,131	S	*	4/2014	Handy	.....	D9/691
8,777,066	B2	*	7/2014	Esteve et al.	.....	222/390
2001/0050292	A1	*	12/2001	Rosenberg	.....	222/162
2008/0047573	A1	*	2/2008	Chou	.....	132/305
2008/0273915	A1	*	11/2008	O'Connell et al.	.....	401/188 R
2009/0101676	A1	*	4/2009	O'Connell et al.	.....	222/205
2009/0272400	A1	*	11/2009	Park et al.	.....	132/298
2012/0138699	A1	*	6/2012	Prischak	.....	239/1
2012/0261029	A1	*	10/2012	Kim	.....	141/23

OTHER PUBLICATIONS

Photograph. MAD Minerals Dispenser, downloaded Mar. 12, 2012.

Photograph. Mustela Dispenser, downloaded Mar. 12, 2012.

\* cited by examiner

*Primary Examiner* — Catherine Tuttle

(57)

**CLAIM**

The ornamental design for a pump dispenser, as shown and described.

**DESCRIPTION**

FIG. 1 is a top, right, front perspective view of a pump dispenser embodying our new design;

FIG. 2 is a front elevational view thereof, the rear elevational view being identical to the front elevational view;

FIG. 3 is a right side elevational view thereof, the left side elevational view being identical to the right side elevational view;

FIG. 4 is a top plan view thereof; and,

FIG. 5 is a bottom plan view thereof.

The broken line representations in the views are for illustrative purposes only and form no part of the claimed design. Dash-dot broken lines represent the boundary between claimed and unclaimed areas and form no part of the claimed design.

In a preferred embodiment, the nature of the product is a pump dispenser that can dispense a cleaning fluid from a bottle.

**1 Claim, 4 Drawing Sheets**

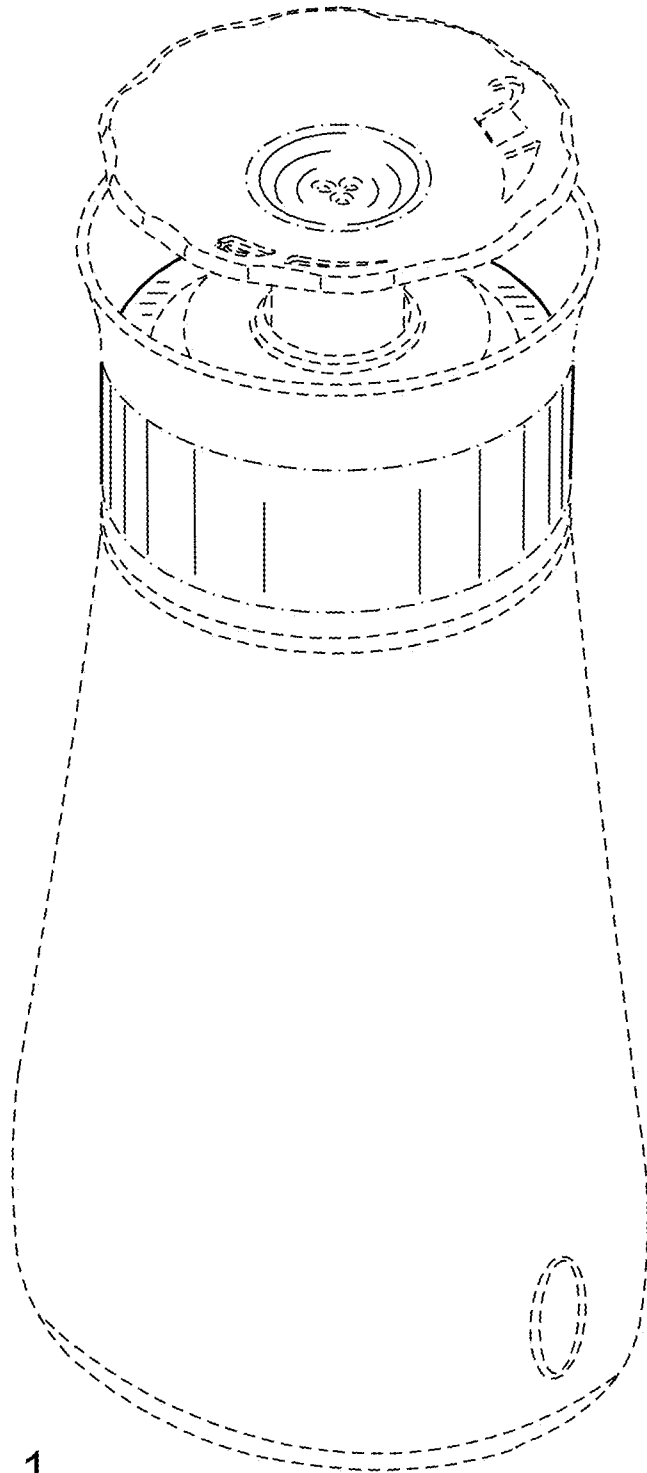


FIG. 1

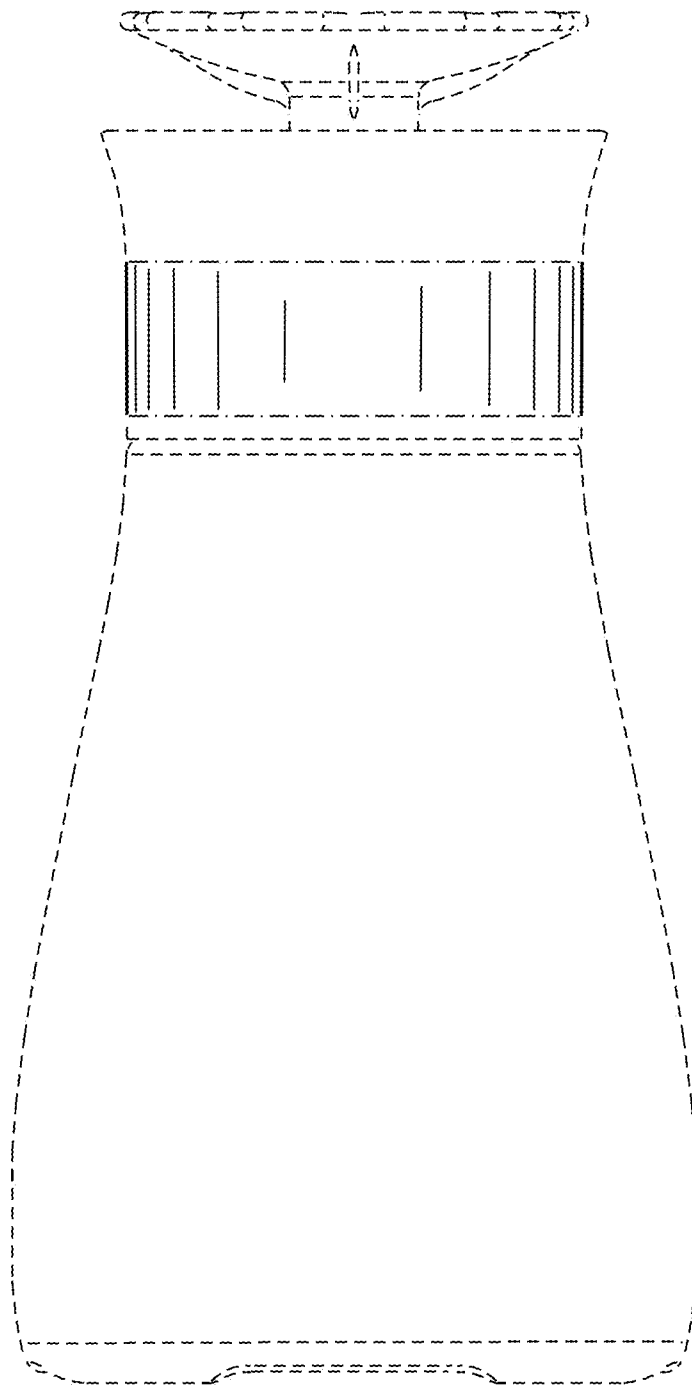


FIG. 2

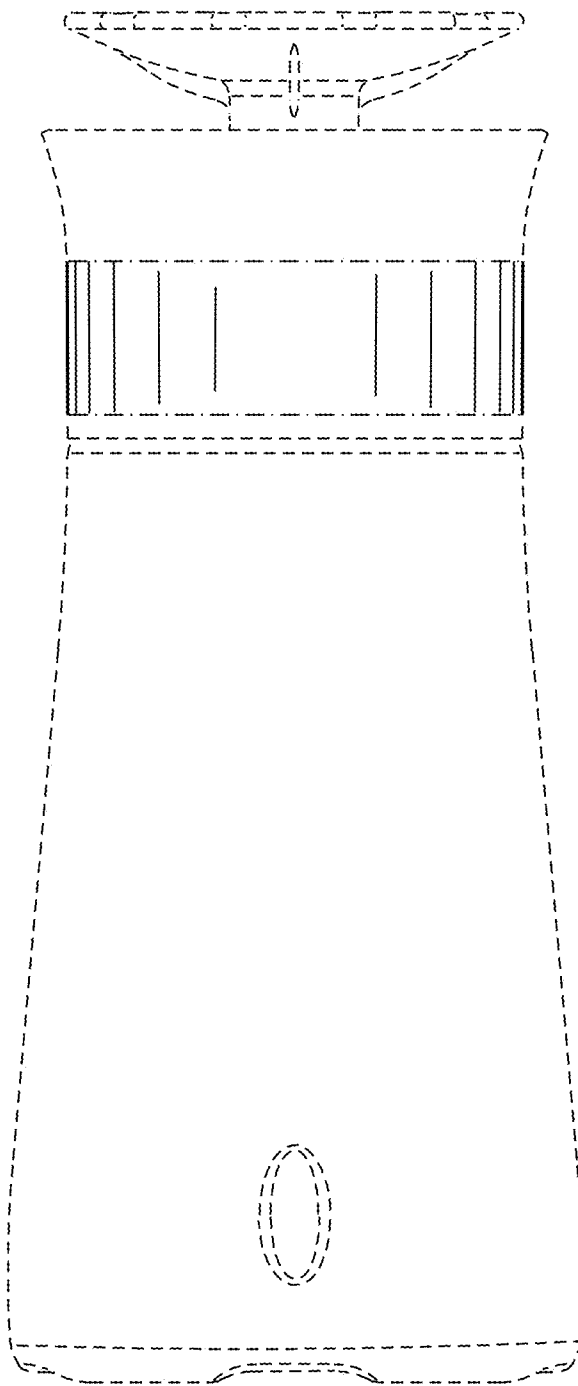


FIG. 3

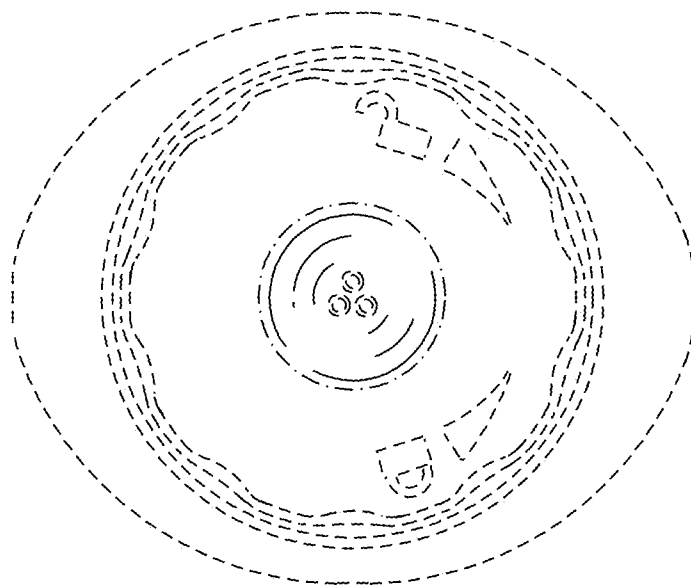


FIG. 4

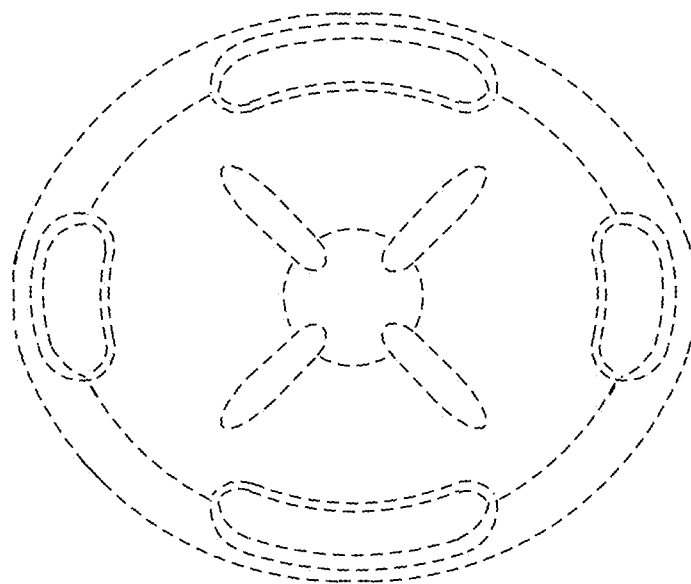


FIG. 5