



US00D799561S

(12) **United States Design Patent** (10) **Patent No.:** **US D799,561 S**  
**Kumbhar et al.** (45) **Date of Patent:** **\*\* Oct. 10, 2017**

(54) **BOOM FOR A WORK VEHICLE**  
(71) Applicant: **Deere & Company**, Moline, IL (US)  
(72) Inventors: **Nilesh T. Kumbhar**, Pune (IN); **John Gundupalli**, Pune (IN)  
(73) Assignee: **DEERE & COMPANY**, Moline, IL (US)  
(\*\*) Term: **15 Years**

D450,718 S 11/2001 Muraro  
D451,105 S \* 11/2001 Masumoto ..... D15/28  
D468,754 S 1/2003 Dershem et al.  
D469,448 S 1/2003 Bares et al.  
D482,701 S 11/2003 Bares et al.  
D492,327 S 6/2004 Albright et al.  
D504,136 S 4/2005 Albright et al.  
D508,499 S \* 8/2005 Kurtz, Jr. .... D15/31  
D516,587 S \* 3/2006 Bares ..... D15/23  
D517,096 S 3/2006 Landers et al.  
D559,869 S \* 1/2008 Kelley ..... D12/163

(Continued)

(21) Appl. No.: **29/571,907**  
(22) Filed: **Jul. 22, 2016**  
(51) **LOC (10) Cl.** ..... **15-03**  
(52) **U.S. Cl.**  
USPC ..... **D15/28**  
(58) **Field of Classification Search**  
USPC ..... D15/10, 22-26, 28, 29, 32; 414/686,  
414/694, 722, 718, 815, 723, 685, 680;  
37/341, 407  
CPC ..... E02F 3/22; E02F 3/34; E02F 3/28; E02F  
3/3405; E02F 3/3414; E02F 3/627; E02F  
9/006; E02F 9/2275; E02F 9/14; E02F  
9/22; Y10T 29/49622; B66F 19/00; B66F  
9/22  
See application file for complete search history.

OTHER PUBLICATIONS

Bobcat A770 photograph [online], [retrieved on Apr. 10, 2015].  
Retrieved from the Internet: URL<<http://www.bobcat.com/publicadmin/getImage.do?id=66364&width=500>>.

(Continued)

Primary Examiner — Mark Goodwin

(57) **CLAIM**

The ornamental design for a boom for a work vehicle, as shown and described.

**DESCRIPTION**

FIG. 1 is a perspective view of a boom for a work vehicle embodying the claimed design.  
FIG. 2 is a left side view thereof.  
FIG. 3 is a right side view thereof.  
FIG. 4 is a front view thereof.  
FIG. 5 is a rear view thereof.  
FIG. 6 is a top view thereof; and,  
FIG. 7 is a bottom view thereof.

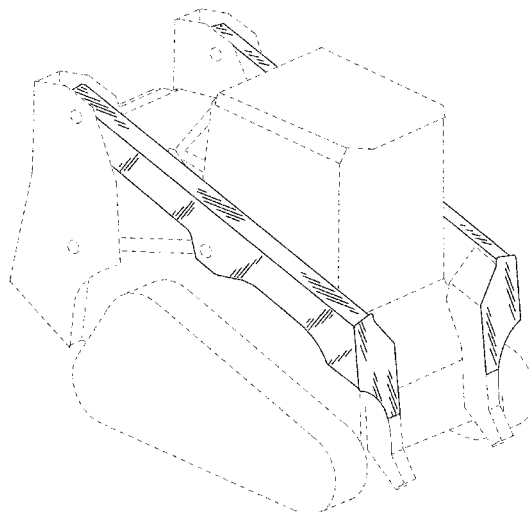
The claimed design is shown in solid lines in the drawings. the portions of the drawings shown in broken lines form no part of the claimed design. The portions of the drawings shown in broken lines having unequal segments illustrate the boundary of the claimed design and form no part of the claimed design.

**1 Claim, 7 Drawing Sheets**

(56) **References Cited**

U.S. PATENT DOCUMENTS

D247,814 S 5/1978 Johnson et al.  
D251,088 S 2/1979 Johnson et al.  
D314,389 S 2/1991 Lynnes et al.  
D317,926 S 7/1991 Lynnes et al.  
D356,584 S \* 3/1995 Innes ..... D15/17  
D376,372 S \* 12/1996 Little ..... D15/23  
D406,594 S \* 3/1999 Miller ..... D15/31  
D407,415 S \* 3/1999 Flatau ..... D15/28  
D412,712 S \* 8/1999 Miller ..... D15/31  
D419,568 S 1/2000 Baig et al.  
D423,521 S 4/2000 Walter et al.



(56)

## References Cited

## U.S. PATENT DOCUMENTS

D572,276	S	7/2008	Pinther et al.	
D572,277	S	7/2008	Pinther et al.	
D583,834	S	12/2008	Sugiyama et al.	
D583,835	S	12/2008	Sugiyama et al.	
D600,721	S	9/2009	Shimomura et al.	
D602,508	S	10/2009	Shimomura et al.	
D629,818	S *	12/2010	Rummer	D15/31
D635,592	S *	4/2011	Shimomura	D15/28
D643,050	S *	8/2011	Rajderkar	D15/31
D646,306	S *	10/2011	Bradley	D15/28
D668,694	S *	10/2012	Tezuka	D15/31
D675,234	S *	1/2013	Kushita	D15/31
D678,918	S *	3/2013	Hagura	D15/28
D692,030	S	10/2013	Martin et al.	
D692,031	S	10/2013	Martin et al.	
D772,307	S *	11/2016	Gross	D15/28
D772,953	S *	11/2016	Gross	D15/28
D774,103	S *	12/2016	Gross	D15/28
D777,217	S *	1/2017	Gross	D15/30

## OTHER PUBLICATIONS

Bobcat S175 photograph [online], [retrieved on Apr. 10, 2015]. Retrieved from the Internet: URL<<http://www.hawaiianrentall.com/itemimages/2879.jpg>>.

Bobcat S185 photograph [online], [retrieved on Aug. 5, 2016]. Retrieved from the Internet: URL<[http://www.ritchiewiki.com/wiki/files/Bobcat\\_S185.jpg](http://www.ritchiewiki.com/wiki/files/Bobcat_S185.jpg)>.

Bobcat S205 photograph [online], [retrieved on Apr. 10, 2015]. Retrieved from the Internet: URL<<http://www.constructionequipmentguide.com/images/EquipmentPix/1014893466.jpg>>.

Bobcat S300 photograph [online], [retrieved on Apr. 10, 2015]. Retrieved from the Internet: URL<<http://static.mascus.com/image/product/large/18b0b3fb/bobcats300,68002fba.jpg>>.

Bobcat S530 photograph [online], [retrieved on Apr. 10, 2015]. Retrieved from the Internet: URL<<http://www.bobcat.com/publicadmin/getImage.do?id=115941&width=500>>.

Bobcat S570 photograph [online], [retrieved on Apr. 10, 2015]. Retrieved from the Internet: URL<<http://www.bobcat.com/publicadmin/getImage.do?id=114211&width=500>>.

Bobcat S590 photograph [online], [retrieved on Apr. 10, 2015]. Retrieved from the Internet: URL<<http://www.bobcat.com/publicadmin/getImage.do?id=113737&width=500>>.

Bobcat S650 photograph [online], [retrieved on Apr. 10, 2015]. Retrieved from the Internet: URL<<http://www.bobcat.com/publicadmin/getImage.do?id=50284&width=500>>.

Bobcat S750 photograph [online], [retrieved on Apr. 10, 2015]. Retrieved from the Internet: URL<<http://www.bobcat.com/publicadmin/getImage.do?id=86657&width=500>>.

Bobcat S770 photograph [online], [retrieved on Apr. 10, 2015]. Retrieved from the Internet: URL<<http://www.bobcat.com/publicadmin/getImage.do?id=74122&width=500>>.

Bobcat S850 photograph [online], [retrieved on Apr. 10, 2015]. Retrieved from the Internet: URL<<http://www.bobcat.com/publicadmin/getImage.do?id=61929&width=500>>.

Bobcat T590 photograph [online], [retrieved on Apr. 10, 2015]. Retrieved from the Internet: URL<<http://www.bobcat.com/publicadmin/getImage.do?id=113719&width=500>>.

Bobcat T630 Compact Track Loader Photo & Video Gallery (rear view) [online], [retrieved on Aug. 2, 2016]. Retrieved from the Internet: URL<<http://www.bobcat.com/loaders/compacttrackloaders/models/t630/photosvideos>>.

Bobcat T630 Compact Track Loader Photo & Video Gallery (side view) [online], [retrieved on Aug. 2, 2016]. Retrieved from the Internet: URL<<http://www.bobcat.com/loaders/compacttrackloaders/models/t630/photosvideos>>.

Bobcat T650 photograph [online], [retrieved on Apr. 10, 2015]. Retrieved from the Internet: URL<<http://www.bobcat.com/publicadmin/getImage.do?id=49721&width=500>>.

Bobcat, T770-1 photograph [online], [retrieved on Apr. 10, 2015]. Retrieved from the Internet: URL<<http://www.bobcat.com/publicadmin/getImage.do?id=72228&width=500>>.

Alpha series, Skid Steer Loaders [online], Case and CNH Industrial America LLC, 2014, [retrieved on Apr. 10, 2015]. Retrieved from the Internet: URL<[http://www.casece.com/en\\_us/Gallery/Downloads/SSL\\_SR250/Skid-Steer-Compact-Track-Loader-201404.pdf](http://www.casece.com/en_us/Gallery/Downloads/SSL_SR250/Skid-Steer-Compact-Track-Loader-201404.pdf)> (20 pages).

Skid Steer Loaders, Compact Track Loaders [online], Case and CNH Industrial America LLC, [retrieved on Aug. 12, 2015]. Retrieved from the Internet: URL<<http://www.casece.com>> (20 pages).

New Skid Steer Loaders, 242D (rear view image) [online], Caterpillar Inc. [retrieved on Aug. 14, 2015]. Retrieved from the Internet: URL<[http://www.cat.com/en\\_US/products/new/equipment/skid-steer-loaders/skid-steer-loaders/18484370.html](http://www.cat.com/en_US/products/new/equipment/skid-steer-loaders/skid-steer-loaders/18484370.html)> (6 pages).

New Skid Steer Loaders, 242D (front view image) [online], Caterpillar Inc. [retrieved on Aug. 14, 2015]. Retrieved from the Internet: URL<[http://www.cat.com/en\\_US/products/new/equipment/skid-steer-loaders/skid-steer-loaders/18484370.html](http://www.cat.com/en_US/products/new/equipment/skid-steer-loaders/skid-steer-loaders/18484370.html)> (6 pages).

246C 262C Series 2 Skid Steer Loaders, Caterpillar Inc., May 2012, AEHQ6577 (12 pages).

Caterpillar 262D photograph [online], [retrieved on Apr. 10, 2015]. Retrieved from the Internet: URL<[http://s7d2.scene7.com/is/image/Caterpillar/C10081706?\\$cc-g\\$](http://s7d2.scene7.com/is/image/Caterpillar/C10081706?$cc-g$)>.

Caterpillar 272D photograph [online], [retrieved on Apr. 10, 2015]. Retrieved from the Internet: URL<[http://s7d2.scene7.com/is/image/Caterpillar/C832998?\\$cc-g\\$](http://s7d2.scene7.com/is/image/Caterpillar/C832998?$cc-g$)>.

279C Series 2, 289C Series 2 Compact Track Loaders, Caterpillar Inc., May 2012, AEHQ6575 (12 pages).

Caterpillar 279D photograph (rear view) [online], [retrieved on Aug. 2, 2016]. Retrieved from the Internet: URL<[http://s7d2.scene7.com/is/image/Caterpillar/C814645?\\$cc-g\\$](http://s7d2.scene7.com/is/image/Caterpillar/C814645?$cc-g$)>.

Caterpillar 279D photograph (side view) [online], [retrieved on Aug. 2, 2016]. Retrieved from the Internet: URL<[http://s7d2.scene7.com/is/image/Caterpillar/C772075?\\$cc-g\\$](http://s7d2.scene7.com/is/image/Caterpillar/C772075?$cc-g$)>.

216B/226B/236BB Series 3, 242B/252B Series 3 Skid Steer Loaders, Caterpillar Inc., Jun. 2011, AEHQ6131 02 (16 pages).

John Deere 300-Series Skid Steers 313 315, 2007, DKA31315CWP (16 pages).

John Deere 300-Series Skid Steers 317 320 325 328 322, 2009, DKA300SSLCWP (20 pages).

John Deere E-Series Skid Steer Loaders 318E 320E 326E 328E 332E, 2013, DKAESSCWP (20 pages).

John Deere D-Series Skid Steers, 2010, DKADSSCWP (20 pages).

John Deere G-Series Small Frames 312GR 314G 316GR 317G 318G, 2016, DKAGSSCWP (24 pages).

Gehl V270 photograph [online], [retrieved on Apr. 10, 2015]. Retrieved from the Internet: URL<<http://www.gehl.com/images/default-source/skid-loaders/vertical-lift/v270/hero/gehl-skid-loaders/v270>>.

Gehl V330 photograph [online], [retrieved on Apr. 10, 2015]. Retrieved from the Internet: URL<<http://www.gehl.com/images/default-source/skid-loaders/vertical-lift/v330/hero/gehl-skid-loaders/v330>>.

Gehl V400 photograph [online], [retrieved on Apr. 10, 2015]. Retrieved from the Internet: URL<<http://www.gehl.com/equipment/skid-loaders/vertical-lift-skid-loaders/v400>>.

SVL Lineup SVL75 SVL90-2 [online], Kubota Tractor Corp. [retrieved on Aug. 2, 2016]. Retrieved from the Internet: URL<<http://www.kubota.com/products/SVL/SVL.aspx>>.

\* cited by examiner

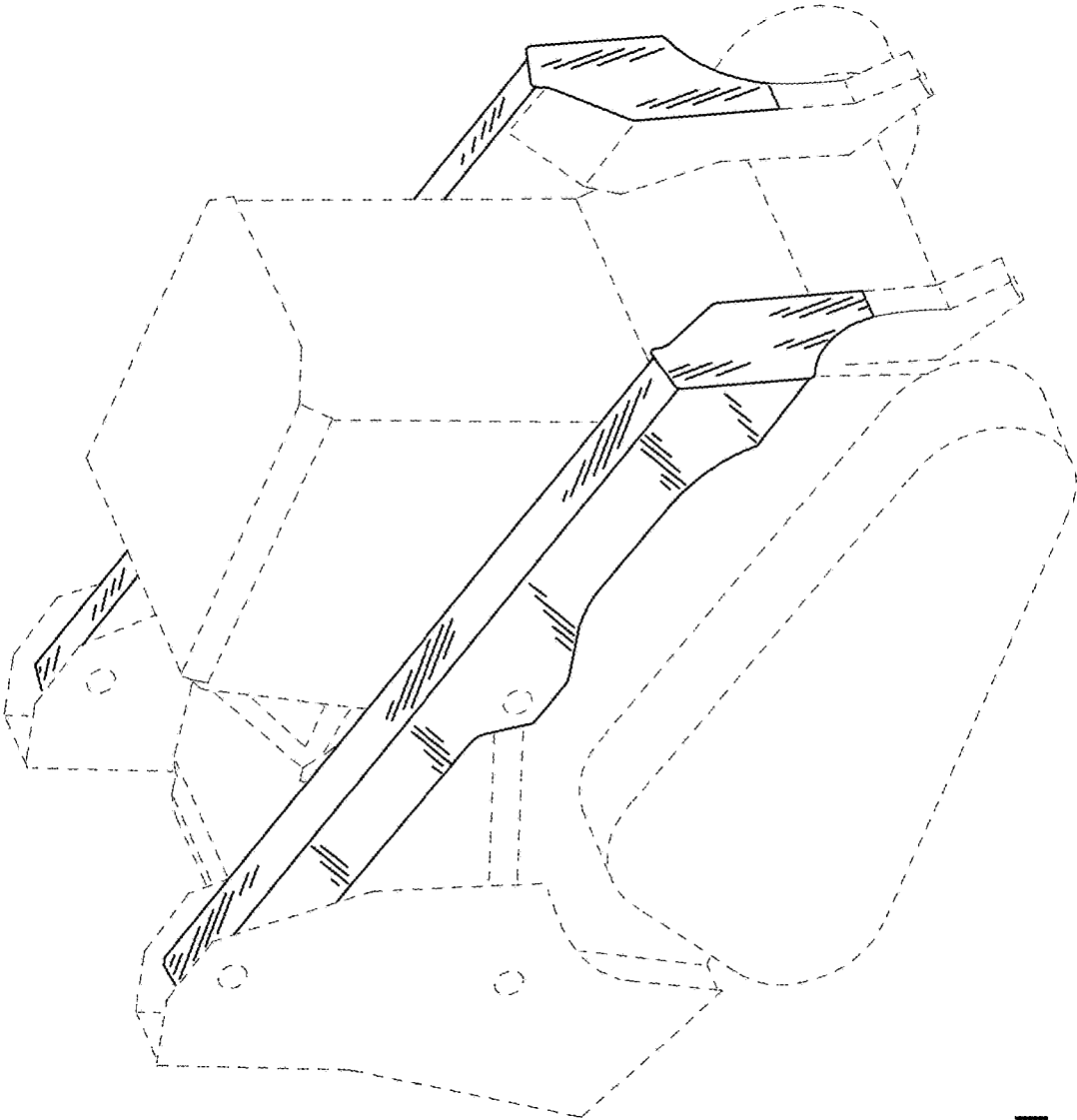


FIG. 1

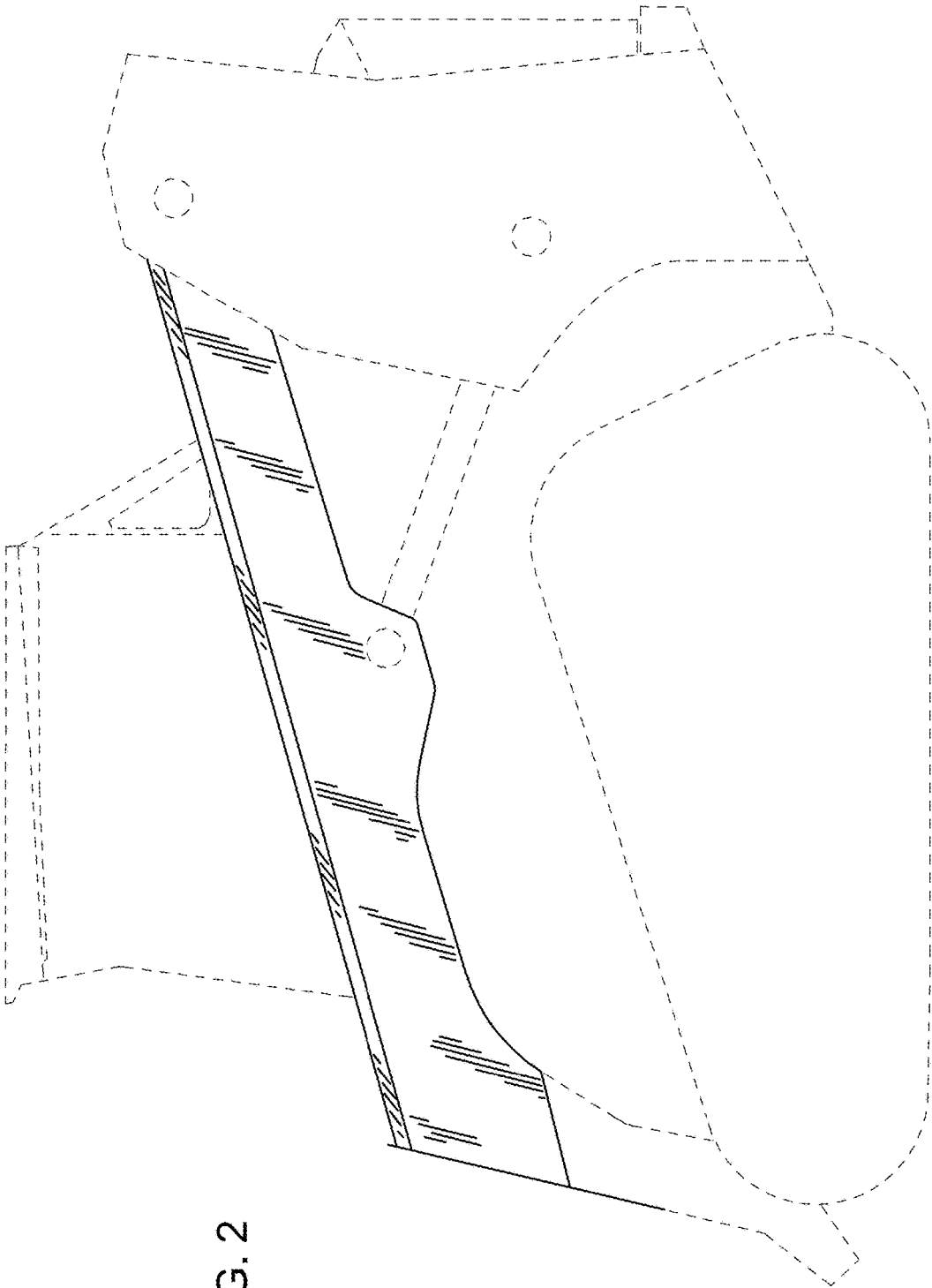


FIG. 2

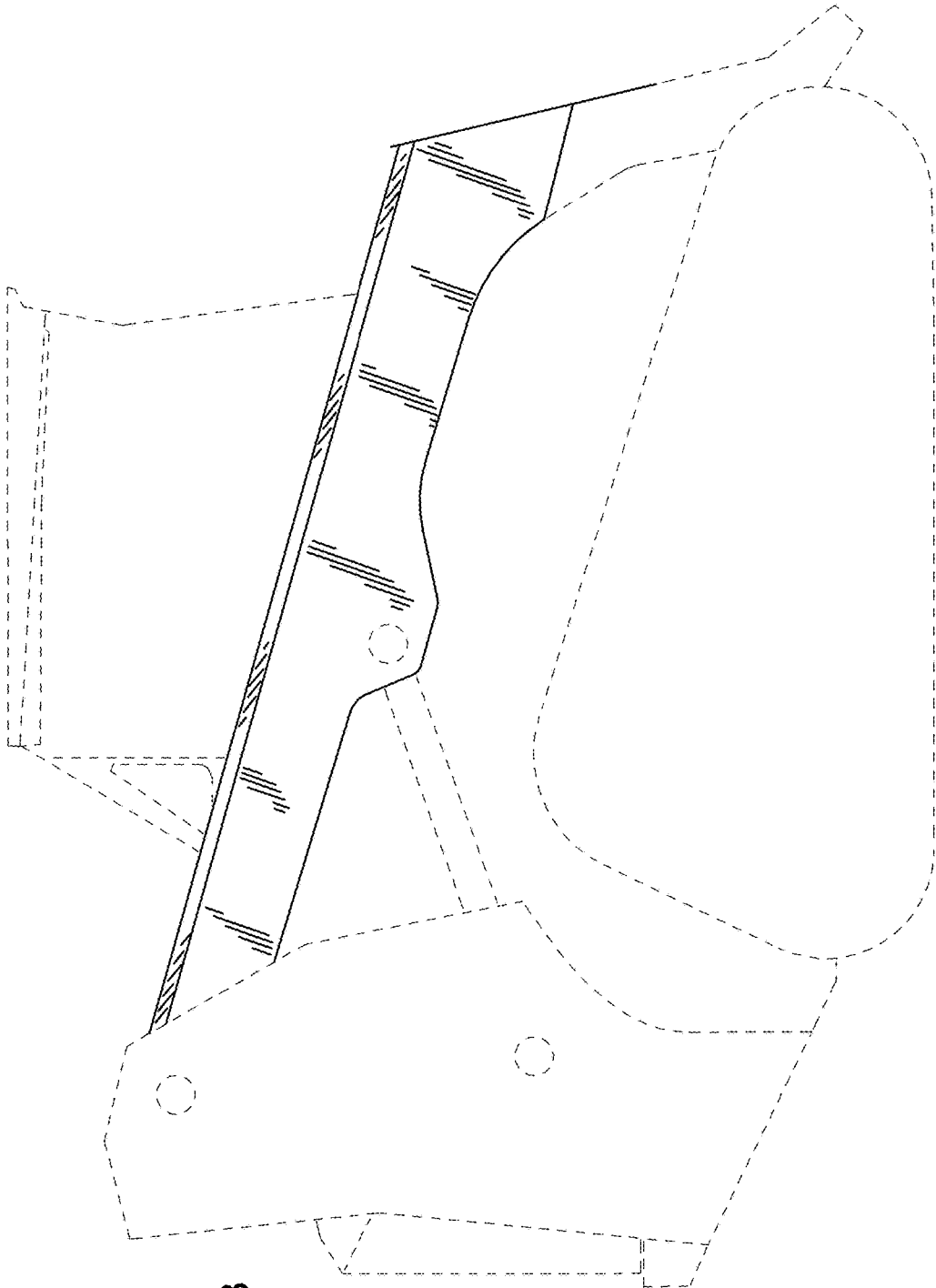


FIG. 3

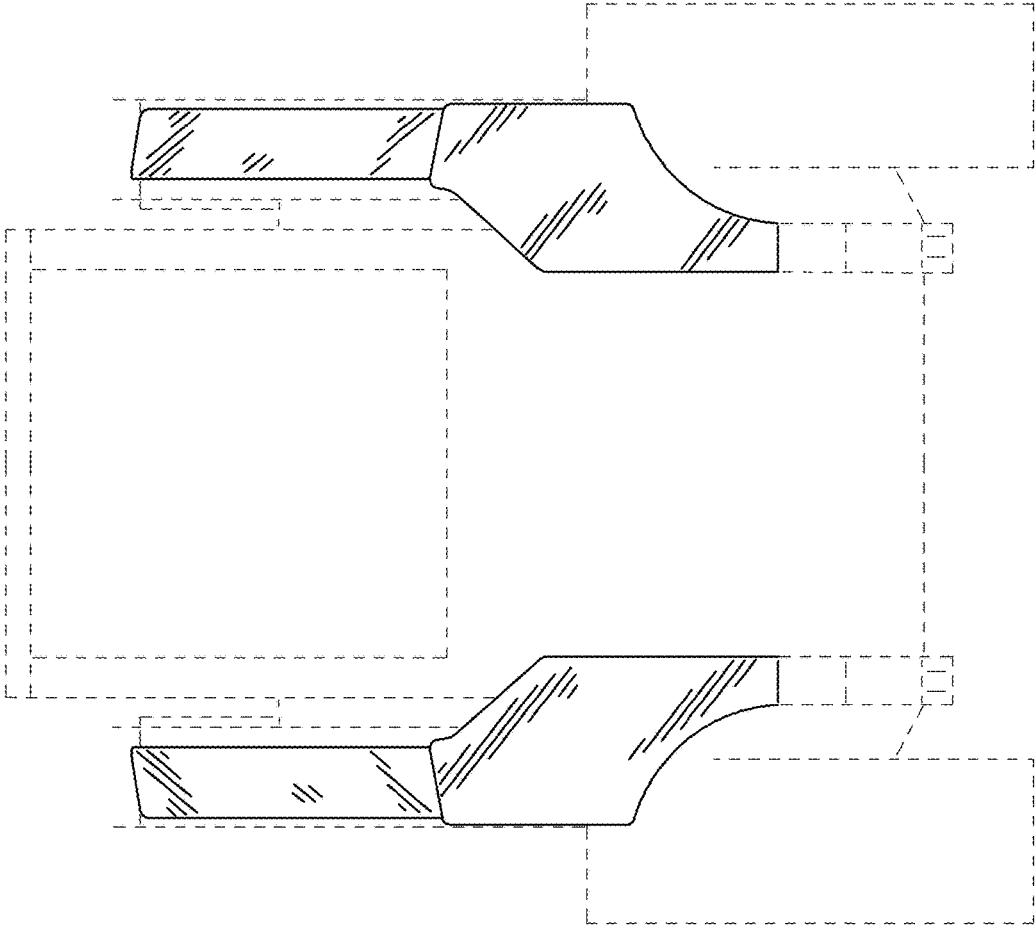


FIG. 4

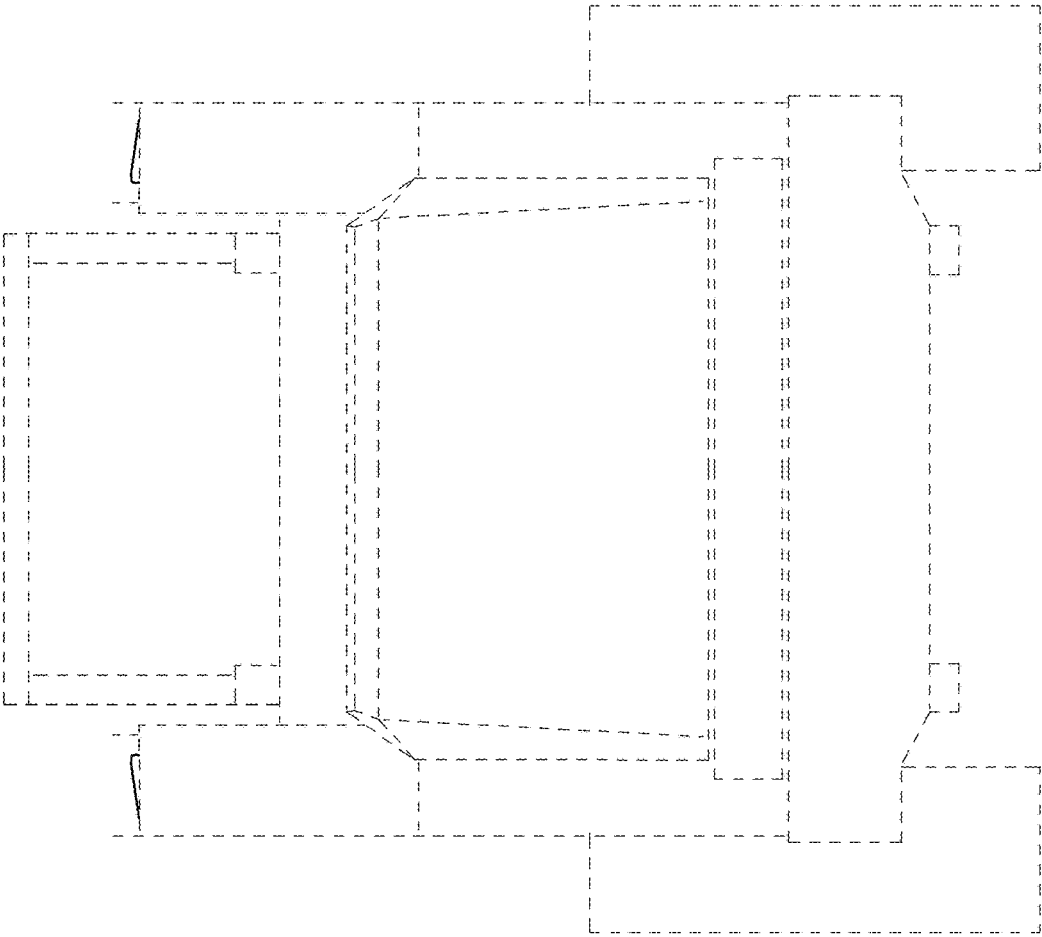


FIG. 5

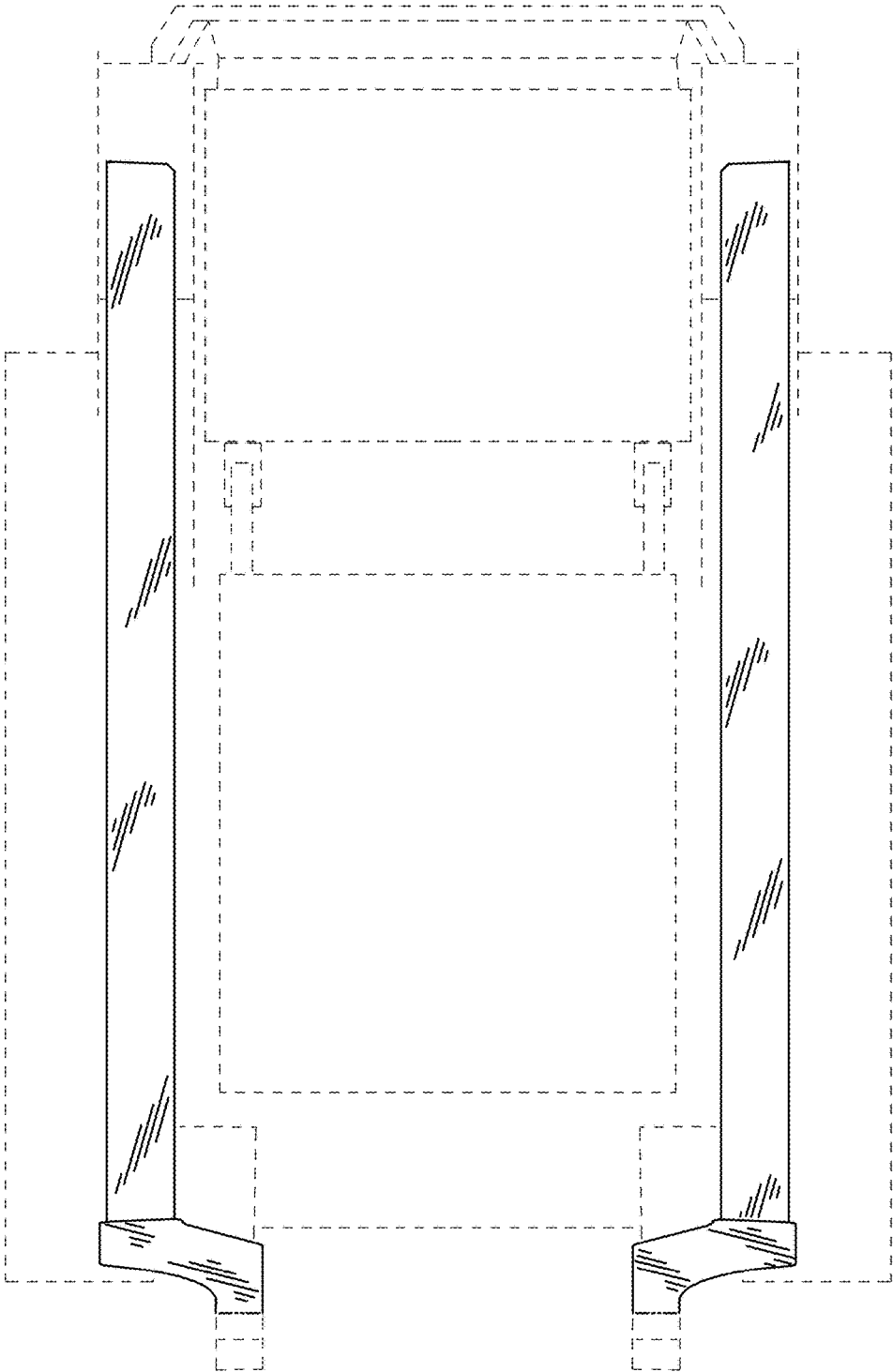


FIG. 6

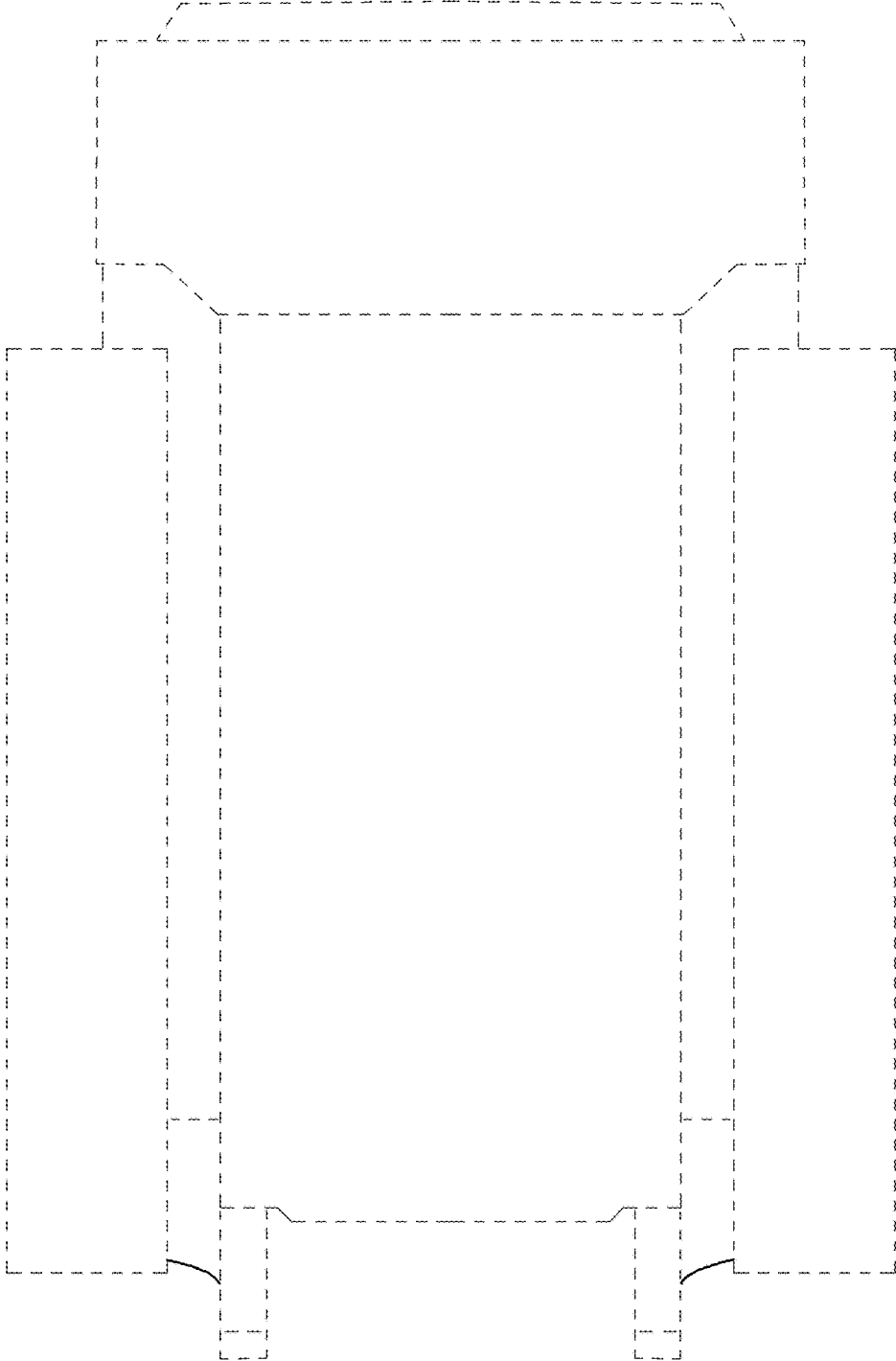


FIG. 7