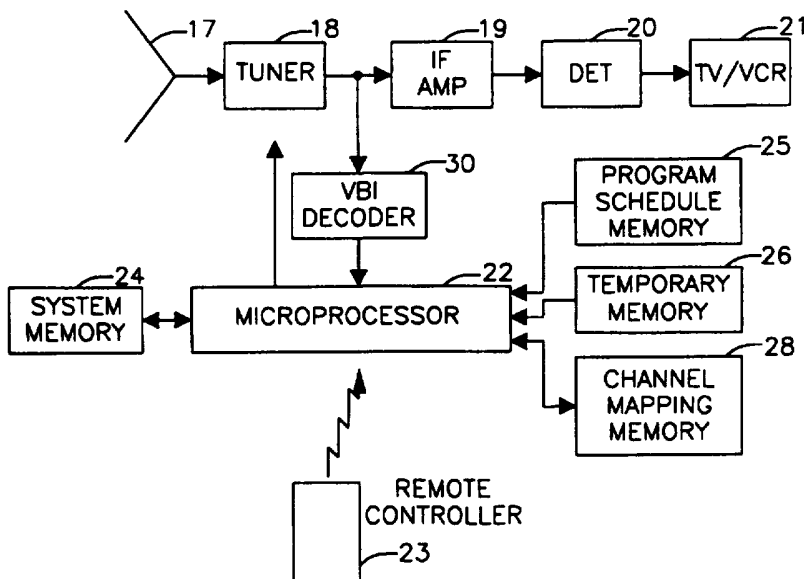




INTERNATIONAL APPLICATION PUBLISHED UNDER THE PATENT COOPERATION TREATY (PCT)

<p>(51) International Patent Classification<sup>6</sup> : H04N 5/50, 7/08</p>	<p>A1</p>	<p>(11) International Publication Number: <b>WO 96/27982</b> (43) International Publication Date: 12 September 1996 (12.09.96)</p>
<p>(21) International Application Number: PCT/US96/03238 (22) International Filing Date: 8 March 1996 (08.03.96) (30) Priority Data: 08/401,008 8 March 1995 (08.03.95) US 08/404,046 14 March 1995 (14.03.95) US (71) Applicant (for all designated States except US): GEMSTAR DEVELOPMENT CORPORATION [US/US]; Suite 870, 135 North Los Robles Avenue, Pasadena, CA 91101 (US). (72) Inventors; and (75) Inventors/Applicants (for US only): YUEN, Henry, C. [US/US]; P.O. Box 1159, Redondo Beach, CA 90278 (US). MANKOVITZ, Roy, J. [US/US]; 18057 Medley Drive, Encino, CA 91316 (US). KWOH, Daniel, S. [US/US]; 3975 Hampstead Road, La Canada/Flintridge, CA 91011 (US). LEUNG, Elsie, Y. [US/US]; 1302 Via Del Rey, South Pasadena, CA 91030 (US). (74) Agent: FISCHER, Felix, L.; Christie, Parker &amp; Hale, Suite 500, 350 West Colorado Boulevard, P.O. Box 7068, Pasadena, CA 91109-7068 (US).</p>		<p>(81) Designated States: AL, AM, AT, AU, AZ, BB, BG, BR, BY, CA, CH, CN, CZ, DE, DK, EE, ES, FI, GB, GE, HU, IS, JP, KE, KG, KP, KR, KZ, LK, LR, LS, LT, LU, LV, MD, MG, MK, MN, MW, MX, NO, NZ, PL, PT, RO, RU, SD, SE, SG, SI, SK, TJ, TM, TR, TT, UA, UG, US, UZ, VN, ARIPO patent (KE, LS, MW, SD, SZ, UG), Eurasian patent (AM, AZ, BY, KG, KZ, MD, RU, TJ, TM), European patent (AT, BE, CH, DE, DK, ES, FI, FR, GB, GR, IE, IT, LU, MC, NL, PT, SE), OAPI patent (BF, BJ, CF, CG, CI, CM, GA, GN, ML, MR, NE, SN, TD, TG).  Published With international search report.</p>

(54) Title: METHOD AND APPARATUS FOR CONTROLLING A TELEVISION TUNER



(57) Abstract

One of the television signals from a plurality of channels includes as supplemental data a plurality of channel lineups and a unique geographic area identifier for each channel lineup. When the transmitted television signals are received at a tuner (18), the transmitted identifiers are compared with a user inputted geographic area identifier. The transmitted channel lineup for the transmitted identifier that matches the user inputted identifier is stored (28) for future use as a valid channel lineup. The valid channel lineup is then used to set the tuner in response to user inputted channel commands. The described arrangement can be used to download channel lineups with a television signal that is transmitted to viewers of services that have different channel lineups. The applicable channel lineup is determined at the local tuner by means of the geographic area identifier.

**FOR THE PURPOSES OF INFORMATION ONLY**

Codes used to identify States party to the PCT on the front pages of pamphlets publishing international applications under the PCT.

AM	Armenia	GB	United Kingdom	MW	Malawi
AT	Austria	GE	Georgia	MX	Mexico
AU	Australia	GN	Guinea	NE	Niger
BB	Barbados	GR	Greece	NL	Netherlands
BE	Belgium	HU	Hungary	NO	Norway
BF	Burkina Faso	IE	Ireland	NZ	New Zealand
BG	Bulgaria	IT	Italy	PL	Poland
BJ	Benin	JP	Japan	PT	Portugal
BR	Brazil	KE	Kenya	RO	Romania
BY	Belarus	KG	Kyrgystan	RU	Russian Federation
CA	Canada	KP	Democratic People's Republic of Korea	SD	Sudan
CF	Central African Republic	KR	Republic of Korea	SE	Sweden
CG	Congo	KZ	Kazakhstan	SG	Singapore
CH	Switzerland	LI	Liechtenstein	SI	Slovenia
CI	Côte d'Ivoire	LK	Sri Lanka	SK	Slovakia
CM	Cameroon	LR	Liberia	SN	Senegal
CN	China	LT	Lithuania	SZ	Swaziland
CS	Czechoslovakia	LU	Luxembourg	TD	Chad
CZ	Czech Republic	LV	Latvia	TG	Togo
DE	Germany	MC	Monaco	TJ	Tajikistan
DK	Denmark	MD	Republic of Moldova	TT	Trinidad and Tobago
EE	Estonia	MG	Madagascar	UA	Ukraine
ES	Spain	ML	Mali	UG	Uganda
FI	Finland	MN	Mongolia	US	United States of America
FR	France	MR	Mauritania	UZ	Uzbekistan
GA	Gabon			VN	Viet Nam

1

## METHOD AND APPARATUS FOR CONTROLLING A TELEVISION TUNER

### Background of the Invention

5

This invention relates to control of a television tuner, and more particularly, to a method and apparatus for automatically setting the channel lineup applicable to a particular tuner location and transmission service.

10

Television program sources, stations and networks such as HBO, WGN, and ABC are transmitted on different frequencies, i.e., channel numbers, depending upon the cable, satellite, or broadcast transmission service used by the television viewer and the tuner location. The table that relates the television program source names to the channel numbers for the particular service used by the viewer is sometimes called the channel lineup. If the television viewer is using a printed program guide, he or she must usually consult a printed channel lineup to determine the channel number to which the tuner should be set for the viewer's transmission service to receive a particular program source such as HBO.

15

20

To facilitate the process for the viewer, there are on the market remote controllers that have a so called channel mapping memory which stores the channel lineup applicable to the particular transmission service and/or tuner location. The viewer must first set up the controller by keying in the channel lineup manually. Then, when the viewer keys in a particular source name, e.g., ABC, the controller accesses the channel mapping memory, converts the source name to the applicable channel number, and sets the tuner accordingly.

25

Recently with the advent of systems to set a video tape recorder (VCR) for unattended recording by means of code numbers, such as used in a commercial system called VCR PLUS+™ or by means of an onscreen cursor to select programs from a list displayed on the television screen, channel mapping has become a necessity. The channel lineup applicable to the tuner location is stored in a channel mapping memory so that when the viewer designates a name of a program source by code number or cursor, the corresponding channel number is retrieved from the memory and used automatically to set the tuner.

30

The most common way to load the channel lineup into the channel mapping memory is for the viewer to key in the applicable channel numbers manually responsive to a series of prompts displayed on the television screen, as described, for example, in British Patent Specification GB 2 256 333 A, published on December 2, 1992.

35

There have been attempts to automate the process of loading the applicable channel lineup into the channel mapping memory. U.S. Patent No. 4,894,714 to Christis discloses the transmission of a channel lineup from a television transmitter station as a teletext page. The teletext page is downloaded to a channel mapping memory at the television receivers served by the transmitter. This arrangement requires that each and every cable, satellite, or broadcast service transmit only the channel lineup applicable to that particular service.

1 A telephone service also exists that downloads to a viewer's remote controller the  
channel lineup applicable to the viewer's transmission service. After ringing up the  
telephone service, the viewer announces his or her transmission service, e.g., cable company,  
and/or postal directory code (zip code). The channel lineup is then transmitted to the viewer  
5 over a telephone line.

### **Summary of the Invention**

According to the invention, one of the television signals from a plurality of channels  
includes as supplemental data a plurality of channel lineups and a unique geographic area  
identifier for each channel lineup. When the transmitted television signals are received at  
10 a tuner, the transmitted identifiers are compared with a user inputted geographic area  
identifier. The transmitted channel lineup for the transmitted identifier that matches the user  
inputted identifier is stored for future use as a valid channel lineup. The valid channel lineup  
is then used to set the tuner in response to user inputted channel commands. The described  
arrangement can be used to download channel lineups as part of a television signal that is  
15 transmitted to viewers of services that have different channel lineups. The applicable channel  
lineup is determined at the local tuner by means of the geographic area identifier.  
Preferably, the geographic area identifiers are postal directory codes (zip codes).

If the transmitted identifier that matches the user inputted identifier includes more than  
one channel lineup, the valid channel lineup for the television signals transmitted to the tuner  
20 location is determined and stored for future use. Specifically, the radio spectrum is scanned  
for television signals that includes supplemental data and a designation of program source  
name to create a partial channel lineup. The partial channel lineup is compared with the  
stored channel lineups. The stored channel lineup that matches is the valid one. If more  
than one stored channel lineup matches, the ambiguity is resolved by manually inputting the  
25 channel numbers for one or more program source names.

### **Brief Description of the Drawings**

The features of a specific embodiment of the best mode contemplated of carrying out  
the invention are illustrated in the drawings, in which

30 FIG. 1 is a schematic block diagram of television transmitters configured to practice  
the invention;

FIG. 2 is a schematic block diagram of a processor controlled television receiver  
and/or VCR programmed to practice the invention;

35 FIG. 3a to 3c are idealized diagrams representing the supplemental data processed by  
the apparatus of FIGS. 1 and 2 to determine the valid channel lineup at the particular tuner  
location;

FIG. 4 is a diagram representing channel lineups that illustrate the operation of the  
invention;

1           FIG. 5 is a diagram representing partial channel lineups that illustrate the operation  
of the invention;  
and

5           FIG. 6 is a television screen formatted to display simultaneously a current television  
program and program listings to assist in completing a channel lineup .

**Detailed Description of the Specific Embodiments**

10           The invention contemplates the transmission of supplemental data with one or more  
multiple channel television signals. Each program source, e.g., KCET and/or WGN is called  
herein a "host." The supplemental data includes the channel lineups of most or all the  
television transmission services that receive the host program source and a unique geographic  
2area identifier for each channel lineup. Thus, hundreds or even thousands of channel  
lineups, depending on the geographic area served by the host program source, are transmitted  
with the host television signal. The invention is described below in conjunction with a cable  
television service, but it can also be used in a satellite or broadcast television service.

15           In FIG. 1, a host program source 10 and a source of supplemental data 11 are coupled  
to a VBI encoder 12 to insert the supplemental data into the VBI of the television signal of  
source 10. Alternatively, the supplemental data could be transmitted on a subcarrier of the  
television signal or by other known means for carrying data with a television signal.  
Preferably, the supplemental data is repeated continuously all the time that source 10 is  
20           sending out a television signal. The television signal of source 10 with the supplemental data  
is transmitted to a plurality of conventional cable head ends 13a, 13b, ..., 13n. At head ends  
13a, 13b, ..., 13n, as represented by horizontal lines 14a, 14b, ..., 14n extending to the left  
of the head end, the television signal of source 10 with the supplemental data is combined  
with the television signals from a number of other program sources at assigned frequencies  
25           that vary from one cable head end to another. As a result of these different frequency  
assignments, the cable system associated with each head end has its own channel lineup. As  
represented by horizontal lines 15a, 15b, ..., 15n extending to the right of the head end, the  
combined multiple channel television signals are coupled to inputs 16a, 16b, ..., 16n of the  
cable trunks for distribution to the subscribers of the cable service.

30           In FIG. 2, a subscriber drop 17 is fed to a television tuner 18. In a cable system,  
tuner 12 is the front end of the cable converter of one of many subscribers of the cable  
system. If the invention is practiced in another type of television transmission service, tuner  
18 could be a satellite receiver, a television receiver, or a VCR. Tuner 18 is coupled by an  
intermediate frequency amplifier (IF AMP) 19 to a video detector (DET) 20. A baseband  
35           video signal at the output of DET 20 is coupled to a television monitor or video cassette  
recorder (TV/VCR) 21. Tuner 18 is set by a signal from a microprocessor 22 to the desired  
local channel number. A remote controller 23 is coupled to microprocessor 20, typically by  
an infrared transmission link. Microprocessor 22 accesses a system memory 24, a program

1 schedule memory 25, a temporary memory 26, and a channel mapping memory 28, which  
are functionally different, but could be incorporated in a single integrated circuit. Memory  
25 stores a data base of current and future program listings, including title, program source  
(station), start time, and program length, to serve as an electronic program guide that is  
5 displayed on a television screen. A VBI decoder 30 strips from the television signal to which  
tuner 12 is set the supplemental data transmitted in the vertical blanking interval (VBI).

FIG. 3 depicts supplemental data 32 carried in the VBI of a host program source. A  
header field 34 designates the beginning of the supplemental data, identifies the particular  
host, and controls operation of decoder 30 with clock run in and framing code information.  
10 Following header field 34 are the channel lineup fields 36a, 36b, ..., 36n, each of which is  
preceded by a unique geographic area identifier field 38a, 38b, ..., 38n, respectively. The  
geographic area identifiers are preferably postal directory codes (zip codes) because such  
codes are easy for the viewer to remember. However, they could alternatively be codes  
uniquely assigned to the various cable, satellite or broadcast services, in which case there  
15 would be only a single channel lineup for each geographic area identifier. In any case, the  
codes uniquely identify the geographic area in which the viewer's tuner is located.

If there is more than one cable service operating in a postal directory zone, there are  
a plurality of channel lineups applicable to such postal directory zone. In such case, it is  
preferable to place all the channel lineups adjacent to one geographic area identifier field 38  
20 in one channel lineup field 36 along with an optional manual ambiguity resolution routine.  
This is illustrated in FIG. 3B, in which a postal directory zone 91105 is assumed to have  
adjacent channel lineups #1, #2, and #3 in a single field 36a. Alternatively, each channel  
lineup could be placed in a separate channel lineup field 36 adjacent to a geographic area  
identifier field 38. This is illustrated in FIG. 3C, in which lineups #1, 2#, and #3 are in  
25 individual fields 36a, 36m, 36n, separated from each other by a number of channel lineups  
for other postal directory zones, as represented by gaps 40 and 42.

It is contemplated that the television signal of a host will be received by television  
viewers nationwide or regionally such as by state or county, all be it on different channel  
numbers, i.e., channel frequencies. All the channel lineups for the entire geographic region  
30 served by the particular host are received by tuner 18 as part of supplemental data 32. Thus,  
there may be hundreds or even thousands of channel lineups in the VBI of the host. In  
addition, the supplemental data could include other types of information such as a database  
of television programs to enable the display of an onscreen program guide or program titles  
and other information to enable the viewer to index recorded television programs. The  
35 additional supplemental data such as the database of program schedule information could be  
stored in system memory 24.

In operation, the viewer downloads the applicable channel lineup to channel mapping  
memory 28 by pressing a key on remote controller 22 to initiate a set up mode and then

1 keying in his or her postal directory code. In the set up mode, microprocessor 20 controls  
tuner 12 to scan the channels of the spectrum to locate a host. When a host is located,  
supplemental data 32 is downloaded through decoder 30 to microprocessor 22 where the  
5 transmitted postal directory codes in identifier fields 38a, 38b...38n are compared with the  
user inputted postal directory code and the channel lineup or lineups for the transmitted postal  
directory code that matches the inputted code are stored in temporary memory 26. If there  
is only one channel lineup for the matching postal directory code, that channel lineup is  
transferred directly to channel mapping memory 28. If there is more than one channel lineup  
10 for the matching postal directory code, the ambiguity resolution routine described below  
automatically selects the channel lineup applicable to the location of the viewer's tuner for  
transfer to channel mapping memory 28. Briefly, the spectrum is scanned in one of a  
number of ways described below to create a partial channel lineup from the available  
program source name data and this partial channel lineup is compared with the channel  
15 lineups for the matching postal directory code. After the viewer exits the set up mode,  
microprocessor 22 retrieves the proper local channel number from channel mapping memory  
28 each time the viewer selects a program source via remote controller 23. The ambiguity  
resolution routine will now be described in more detail. In FIG. 4, it is assumed for  
purposes of illustration that there are three channel lineups for the matching identifier,  
namely channel lineups 44, 46, and 48. Initially, according to the routine, microprocessor  
20 22 controls tuner 18 to scan the spectrum looking for the header field 34 of other hosts.  
When another host is found, the local channel number from tuner 18 and the program source  
name from header field 34 are stored in temporary memory 26 as a partial channel lineup.  
The local channel number and source name of the other host are compared with the local  
channel number and source name of each channel lineup in temporary memory 26 and the  
25 channel lineup or lineups that do not match are eliminated from consideration. It is assumed  
for purposes of illustration that the hosts for channel lineups 44, 46, and 48 are KCET and  
WGN. As illustrated in FIG. 5, KCET is channel 28 and WGN is channel 20 in channel  
lineup 44, KCET is channel 28 and WGN is channel 17 in channel lineup 46, and KCET is  
channel 16 and WGN is channel 20 in channel lineup 48. Assuming that channel lineup 46  
30 is applicable at the location of tuner 17, the scanning process will automatically create a  
partial channel lineup of channel 28 for KCET and channel 17 for WGN. This partial  
channel lineup is compared with channel lineup 44 to 48 to resolve the ambiguity in favor  
of channel lineup 46.

This process of host scanning and comparison is continued until the ambiguity has  
35 been resolved, i.e., until all the channel lineups but one have been eliminated. The  
remaining channel lineup is transferred to memory 28 for  
use in setting tuner 18.

1           If necessary to resolve the ambiguity, the spectrum can be also be scanned for program  
sources that carry their name in the VBI as XDS data. In this case the host program sources  
and the XDS data program sources are, preferably, both interrogated during the same scan.  
Each time another such program source is found, the local channel number from tuner 18  
5           and the program source name from the host or XDS field are stored in temporary memory  
26 to expand further the partial channel lineup. The local channel number and source name  
are compared with the local channel number and source name of each channel lineup and the  
channel lineup or lineups that do not match are eliminated from consideration. This scanning  
process is continued until the ambiguity has been resolved, i.e., until all the channel lineups  
10          but one have been eliminated. The remaining channel lineup is transferred to memory 28  
for use in setting tuner 18.

          Although it is preferable to interrogate the hosts and program sources that carry XDS  
data in intermixed fashion as they are encountered in the spectrum in a single scan to  
determine the program source-local channel number relationship and build the partial channel  
15          lineup, alternatively all the hosts can be sequentially interrogated followed by all the program  
sources that carry XDS data in two or more separate scans. In either case, the scanning  
process is terminated when the ambiguity has been resolved.

          The scanning for hosts or XDS data to resolve ambiguity can be carried out during the  
same spectrum scan which downloads the channel lineups and other program data. However,  
20          if the channel line-ups appear early during the scan while the ambiguity resolving data appear  
later during the scan, then all multiple line-ups within one postal code (zip-code) area must  
be stored in memory temporarily ambiguity resolving data arrives to help select the correct  
channel lineup.

          Since most microcontrollers are short of temporary memory (RAM), an alternative  
25          approach is to execute two consecutive scans. The first scan stores all XDS and host channel  
information, i.e., ambiguity resolving data, to create the partial channel lineup. The next  
scan downloads the channel lineup data from the first host that is encountered. Since the  
ambiguity resolving data is already in place, it can act as a "filter" to help select the correct  
lineup from multiple lineups in the same postal directory code (zip code) area. Specifically,  
30          as each channel lineup is downloaded from the VBI of the host, it can be compared with the  
partial channel lineup so the downloaded channel lineup can be erased after it is determined  
that it does not match the partial channel lineup. As a result, it is not necessary to store  
temporarily in memory 26 more than several downloaded channel lineups.

          Finally, as a last resort, if scanning in the described manner does not resolve the  
35          ambiguity, specific source-local channel relationships applicable to the particular postal  
directory code stored in the VBI as an ambiguity resolution routine could be added to the  
partial channel lineup responsive to manual inputs from the viewer. The program source  
name would be displayed on the screen as a prompt for the viewer to input the local channel



1 number that corresponds to the displayed program source name. Each time another program  
source name is displayed, the local channel number keyed in by the viewer and the program  
source name are stored in temporary memory 26 as a contribution to the partial channel  
lineup. The local channel number and source name are compared with the local channel  
5 number and source name of each channel lineup and the channel lineup or lineups that do not  
match are eliminated from consideration. This process of manual viewer input is continued  
until the ambiguity has been resolved, i.e., until all the channel lineups but one have been  
eliminated. The remaining channel lineup is transferred to memory 28 for use in setting  
tuner 18.

10 An alternative last resort procedure to determine the local channel numbers for  
remaining program sources is as follows: The current program listings for the remaining  
program sources are sorted by microprocessor 22 for display on a television screen 60, as  
shown in FIG. 6. (The format of television screen 60 is derived from application Serial No.  
08/475,395, filed on June 7, 1995, the disclosure of which is incorporated herein by  
15 reference.) These program listings, which are stored in memory 25 as part of the data base  
of program listings for the electronic program guide, are displayed in an area 62. One of  
the program listings is highlighted by a cursor 64 under the control of up/down arrow keys  
of a remote controller (not shown). A description of the program corresponding to the  
program listing highlighted in area 64 is displayed in an area 66. Microprocessor 22 controls  
20 tuner 18 sequentially to display in an area 68 the real time, moving images of the programs  
telecast by the remaining program sources. Microprocessor 22 selects for display in area 68  
only the programs telecast from program sources that have not yet been matched with a local  
channel number. The sequence can either advance automatically or responsive to a command  
entered into a remote controller by the viewer. In either case, the job of the viewer is to  
25 match the images in area 68 with the program listing in area 64 and the program description  
in area 66. When the viewer sees images in area 68 for a program listing in area 64, the  
viewer moves cursor 64 to that program listing and enters a command into a remote  
controller to cause microprocessor 22 to store the program source identification from  
memory 25 and the channel number from tuner 18 in memory 28 as a pair of the channel  
30 map. Then, microprocessor 22 deletes the program listing from area 62 and the program  
description from area 64. Consequently, as the channel lineup is created, the number of  
program listings in area 62, the number of program descriptions in area 64, and the number  
of sequential programs in area 68 diminish to zero so the process proceeds more rapidly.

35 The described embodiments of the invention are only considered to be preferred and  
illustrative of the inventive concept; the scope of the invention is not to be restricted to such  
embodiments. Various and numerous other arrangements may be devised by one skilled in  
the art without departing from the spirit and scope of this invention.

1       **WHAT IS CLAIMED IS:**

1. A method for controlling a television tuner comprising the steps of:

5               transmitting to the tuner television signals from a plurality of channels, one of  
the television signals including as supplemental data a plurality of channel lineups and a  
unique geographic area identifier for each channel lineup;

              comparing the transmitted identifiers at the tuner with a user inputted geographic  
area identifier;

10               storing the transmitted channel lineup for the transmitted identifier that matches  
the user inputted identifier for future use as a valid channel lineup; and

              using the valid channel lineup to set the tuner in response to user inputted  
channel commands.

2. A method for controlling a television tuner comprising the steps of:

15               transmitting to the tuner television signals from a plurality of channels, one of  
the television signals including as supplemental data a plurality of groups of channel lineups  
and a unique geographic area identifier for each group of channel lineups;

20               comparing the transmitted identifiers at the tuner location with a user inputted  
geographic area identifier;

              storing the transmitted group of channel lineups for the transmitted identifier  
that matches the user inputted identifier;

25               determining which one of the group of channel lineups for the matching  
transmitted identifier is valid for the television signals transmitted to the tuner location; and

              storing said one channel lineup for future use as a valid channel lineup; and

30               using the valid channel lineup to set the tuner in response to user inputted  
channel commands.

3. The method of claim 2, in which the determining step comprises scanning the

35               radio spectrum for television signals including as supplemental data a designation of program  
source name to create a partial channel lineup, comparing the partial channel lineup with the  
stored channel lineups, and storing the matching channel lineup as the valid channel lineup.

1           4. The method of claim 3, in which the determining step additionally comprises:  
          displaying on the screen of a television monitor a program source name;  
          inputting a local channel number for the program source;  
5           comparing the program source name-local channel number combination with the  
channel lineups for the matching transmitted identifiers;  
          if there is a match, storing the channel lineup as the valid channel lineup; and  
          if there is no match, repeating the displaying, inputting, and comparing steps  
10          until a match is found and a channel lineup is stored.

          5. The method of claim 2, in which the determining step additionally comprises:  
          displaying on the screen of a television monitor a program source name;  
15          inputting a local channel number for the program source;  
          comparing the program source name-local channel number combination with the  
channel lineups for the matching transmitted identifiers;  
          if there is a match, storing the channel lineup as the valid channel lineup; and  
20          if there is no match, repeating the displaying, inputting, and comparing steps  
until a match is found and a channel lineup is stored.

25          6. The method of claim 1, in which the using step comprises inputting a  
compressed code that represents channel, day, program length, and time; deriving a channel  
command in terms of program source name; converting the program source name to a local  
channel by means of the channel lineup; and setting the tuner to the local channel.  
30

          7. The method of claim 1, in which the using step comprises displaying a program  
schedule on the screen of a television monitor associated with the tuner; storing data that  
represents channel, day, program length, and time of the listings of the program schedule;  
35          linking a movable cursor on the screen to the stored listings; moving the cursor on the screen  
to select a program listing; deriving a channel command in terms of program source name

1 from the cursor; converting the program source name to a local channel by means of the  
channel lineup; and setting the tuner to the local channel.

5 8. The method of claim 1, in which the using step comprises inputting a program  
source name into a remote controller, converting the program source name to a local channel  
by means of the channel lineup; and setting the tuner to the local channel.

10 9. The method of claim 1, in which the geographic identifiers are postal directory  
codes (zip codes).

15

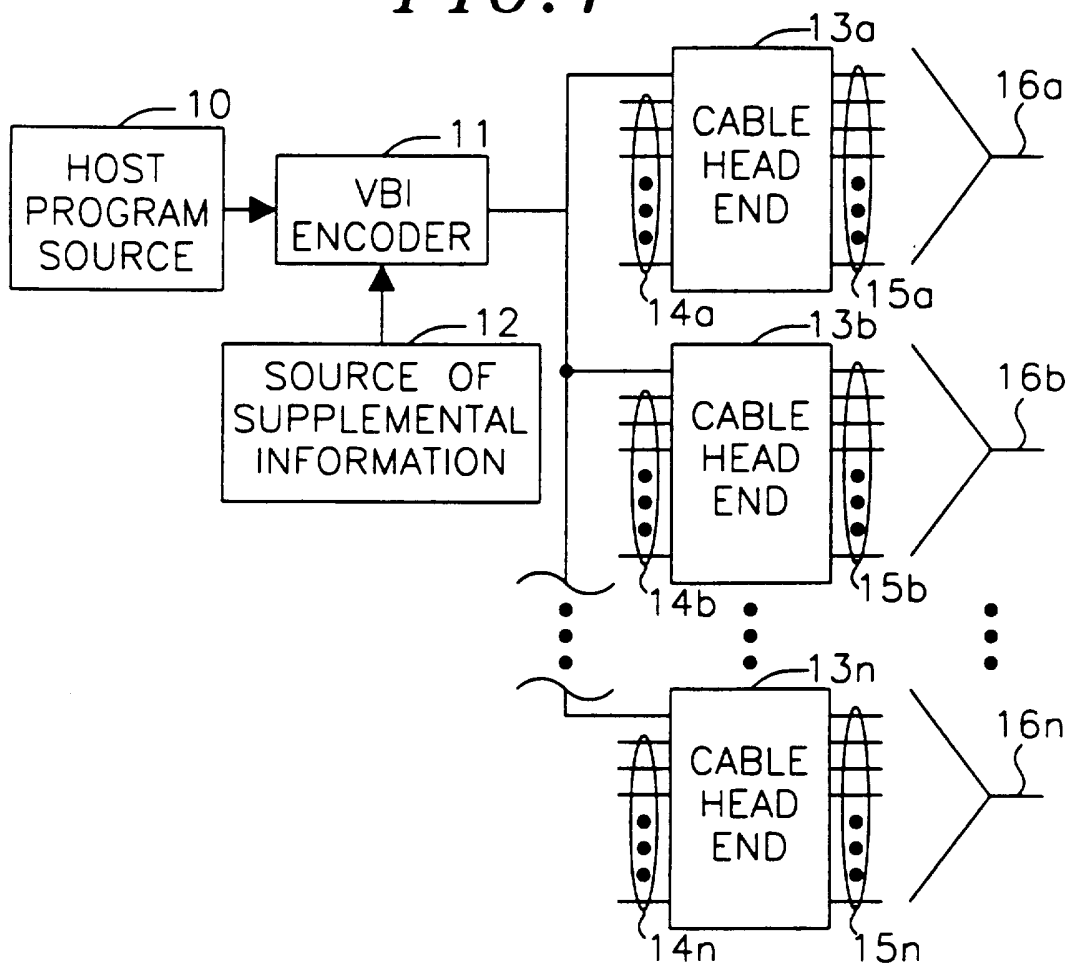
20

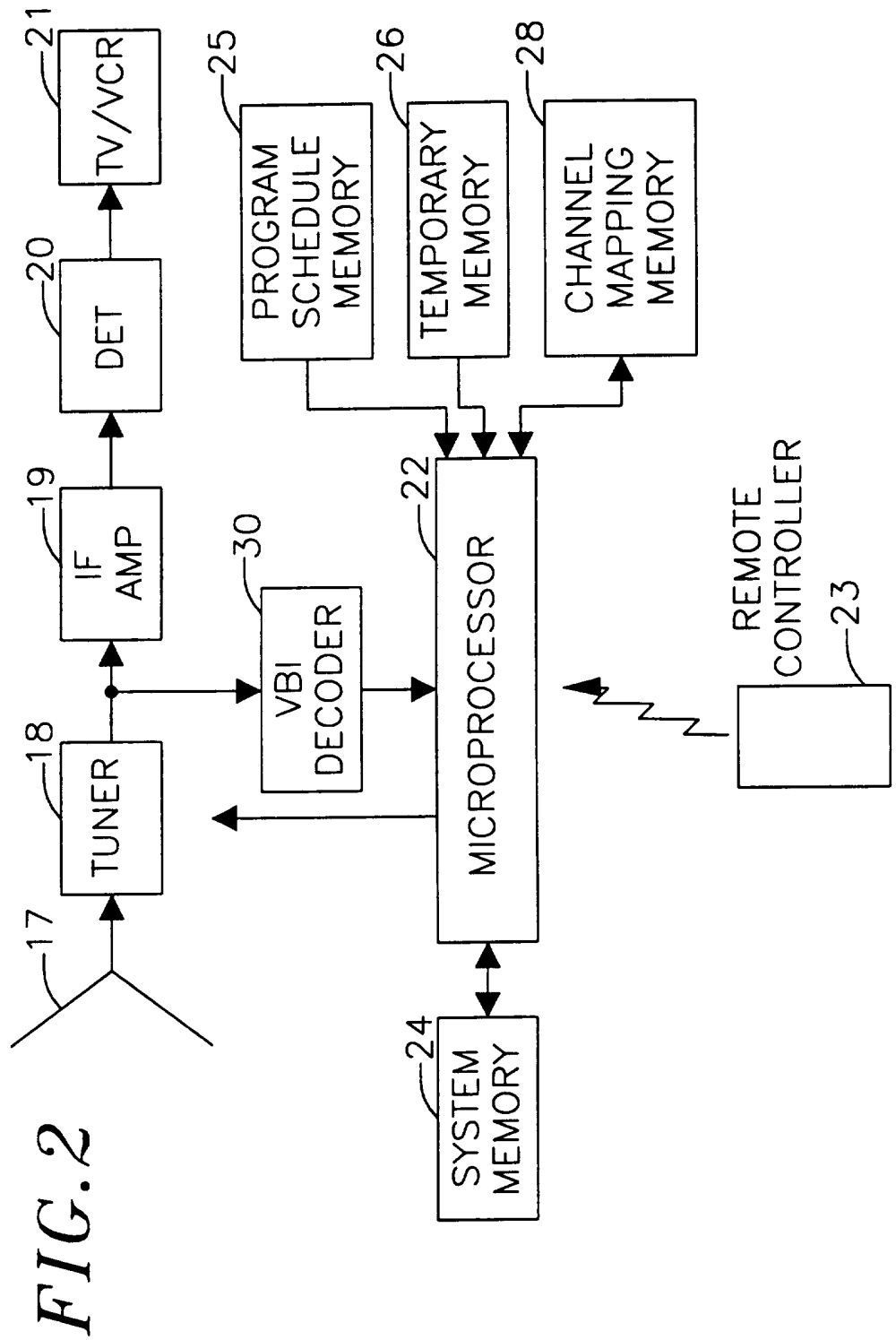
25

30

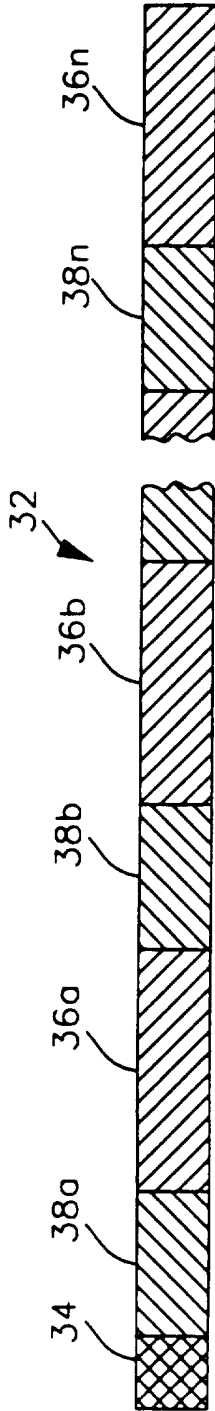
35

FIG. 1

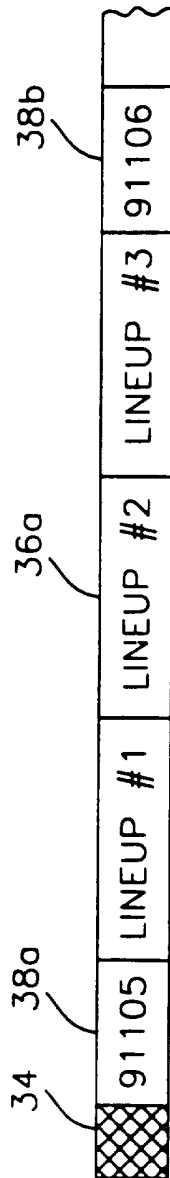




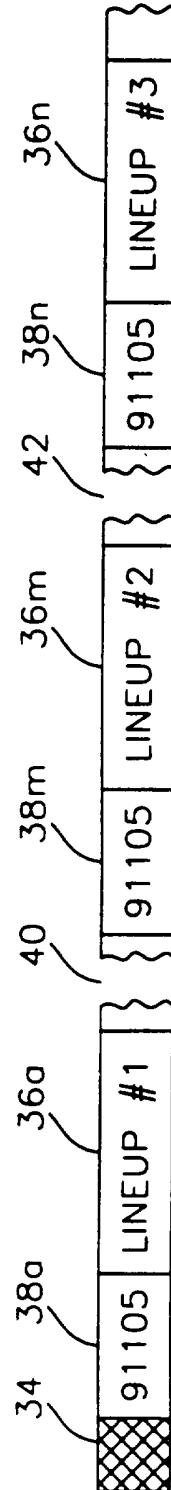
**FIG. 3A**



**FIG. 3B**



**FIG. 3C**



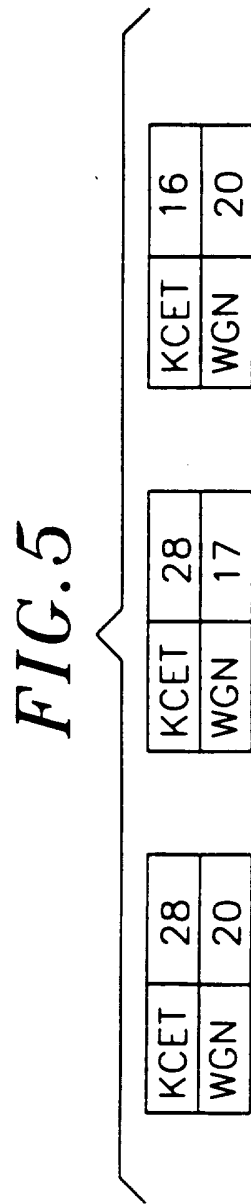
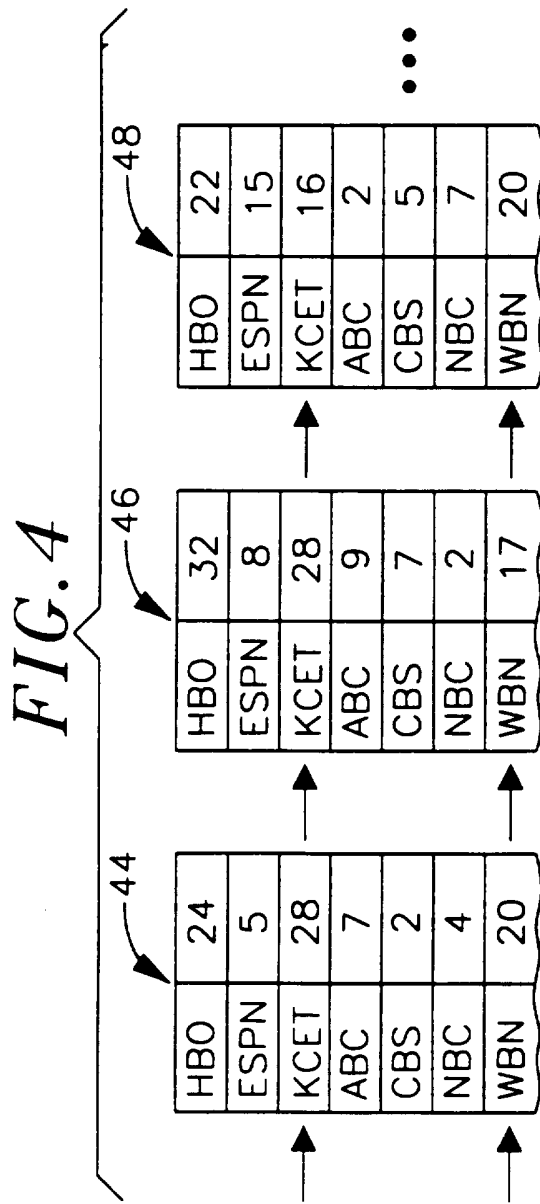
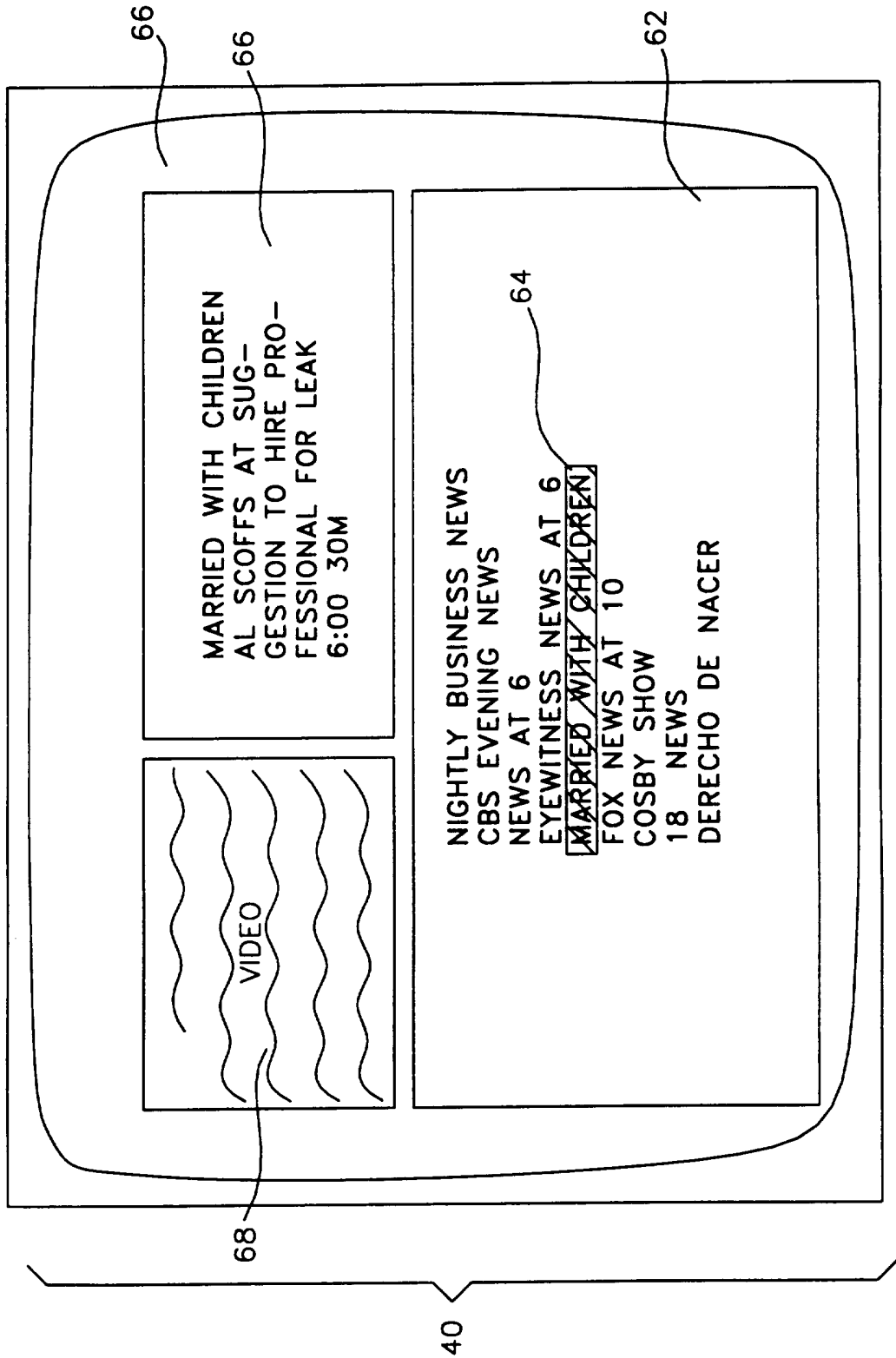




FIG. 6



# INTERNATIONAL SEARCH REPORT

International application No.  
PCT/US96/03238

**A. CLASSIFICATION OF SUBJECT MATTER**

IPC(6) : HO4N 5/50, 7/08  
 US CL : 348/731, 460, 473; 455/158.5, 186.1  
 According to International Patent Classification (IPC) or to both national classification and IPC

**B. FIELDS SEARCHED**

Minimum documentation searched (classification system followed by classification symbols)  
 U.S. : 348/7, 10, 460, 468, 473, 476, 478, 570, 731, 732, 734, 906; 379/102, 104, 105; 455/3.2, 4.2, 6.2, 151.2, 181.1, 186.1

Documentation searched other than minimum documentation to the extent that such documents are included in the fields searched  
 US Patent 4,894,714

Electronic data base consulted during the international search (name of data base and, where practicable, search terms used)  
 none

**C. DOCUMENTS CONSIDERED TO BE RELEVANT**

Category*	Citation of document, with indication, where appropriate, of the relevant passages	Relevant to claim No.
A,P	US, A, 5,430,491 (PARK) 04 July 1995, abstract and fig. 2.	1, 2, 4, 5
A	US, A, 5,343,300 (HENNIG) 30 August 1994, abstract and figures 1a-1c & 5a-5b.	1, 2, 7
A	US, A, 5,379,454 (TAKEGAWA ET AL) 03 January 1995, abstract and fig. 3.	1, 2, 3, 8
A	US, A, 5,280,642 (HIRATA ET AL) 18 January 1994, abstract and figure 1, 3a & 3b.	1, 2, 9

Further documents are listed in the continuation of Box C.       See patent family annex.

- |  |  |
|--|--|
| <ul style="list-style-type: none"> <li>* Special categories of cited documents:</li> <li>*A* document defining the general state of the art which is not considered to be part of particular relevance</li> <li>*E* earlier document published on or after the international filing date</li> <li>*L* document which may throw doubts on priority claim(s) or which is cited to establish the publication date of another citation or other special reason (as specified)</li> <li>*O* document referring to an oral disclosure, use, exhibition or other means</li> <li>*P* document published prior to the international filing date but later than the priority date claimed</li> </ul> | <ul style="list-style-type: none"> <li>*T* later document published after the international filing date or priority date and not in conflict with the application but cited to understand the principle or theory underlying the invention</li> <li>*X* document of particular relevance; the claimed invention cannot be considered novel or cannot be considered to involve an inventive step when the document is taken alone</li> <li>*Y* document of particular relevance; the claimed invention cannot be considered to involve an inventive step when the document is combined with one or more other such documents, such combination being obvious to a person skilled in the art</li> <li>*Z* document member of the same patent family</li> </ul> |
|--|--|

Date of the actual completion of the international search <b>15 APRIL 1996</b>	Date of mailing of the international search report <b>13 MAY 1996</b>
---	--

Name and mailing address of the ISA/US Commissioner of Patents and Trademarks Box PCT Washington, D.C. 20231 Facsimile No. (703) 305-3230	Authorized officer <i>S. Hardy</i> JEFFREY S. MURRELL Telephone No. (703) 305-8155
---	---