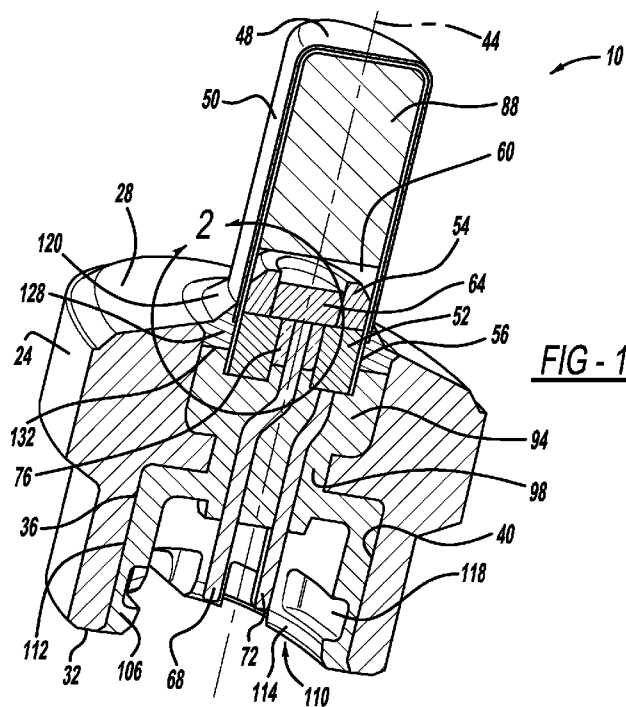




- (51) International Patent Classification: *B60R 21/01* (2006.01) *F42B 3/10* (2006.01)
- (21) International Application Number: PCT/US2012/031664
- (22) International Filing Date: 30 March 2012 (30.03.2012)
- (25) Filing Language: English
- (26) Publication Language: English
- (30) Priority Data: 13/082,451 8 April 2011 (08.04.2011) US
- (71) Applicant (for all designated States except US): **AUTOLIV ASP, INC.** [US/US]; 3350 Airport Road, Ogden, Utah 84405-1563 (US).
- (72) Inventors; and
- (75) Inventors/Applicants (for US only): **GORDON, Scott C.** [US/US]; 305 South 450 East, Hyde Park, Utah 84318 (US). **KIDA, Jeffrey T.** [US/US]; 1357 North 3175 East, Layton, Utah 84040 (US). **SABLE, Benoit** [FR/FR]; 9 rue Pen Ar Guer, F-29460 Daoulas (FR).
- (74) Agents: **OLSON, Stephen T.** et al.; Harness, Dickey & Pierce, P.L.C., P.O. Box 828, Bloomfield Hills, Michigan 48303 (US).
- (81) Designated States (unless otherwise indicated, for every kind of national protection available): AE, AG, AL, AM, AO, AT, AU, AZ, BA, BB, BG, BH, BR, BW, BY, BZ, CA, CH, CL, CN, CO, CR, CU, CZ, DE, DK, DM, DO, DZ, EC, EE, EG, ES, FI, GB, GD, GE, GH, GM, GT, HN, HR, HU, ID, IL, IN, IS, JP, KE, KG, KM, KN, KP, KR, KZ, LA, LC, LK, LR, LS, LT, LU, LY, MA, MD, ME, MG, MK, MN, MW, MX, MY, MZ, NA, NG, NI, NO, NZ, OM, PE, PG, PH, PL, PT, QA, RO, RS, RU, RW, SC, SD, SE, SG, SK, SL, SM, ST, SV, SY, TH, TJ, TM, TN, TR, TT, TZ, UA, UG, US, UZ, VC, VN, ZA, ZM, ZW.
- (84) Designated States (unless otherwise indicated, for every kind of regional protection available): ARIPO (BW, GH, GM, KE, LR, LS, MW, MZ, NA, RW, SD, SL, SZ, TZ, UG, ZM, ZW), Eurasian (AM, AZ, BY, KG, KZ, MD, RU, TJ, TM), European (AL, AT, BE, BG, CH, CY, CZ, DE, DK, EE, ES, FI, FR, GB, GR, HR, HU, IE, IS, IT, LT, LU, LV, MC, MK, MT, NL, NO, PL, PT, RO, RS, SE, SI, SK, SM, TR), OAPI (BF, BJ, CF, CG, CI, CM, GA, GN, GQ, GW, ML, MR, NE, SN, TD, TG).

[Continued on next page]

(54) Title: INITIATOR WITH MOLDED ESD DISSIPATER



(57) Abstract: An initiator assembly can include an outer body can have a first end, a second end, and an internal passage between the first and second ends. An initiator canister can be joined to the outer body at the first end and can define a charge chamber that includes a pair of pins extending therefrom. An insulative material can be molded within the passage to form an insulative structural member that joins the canister and pins to the outer body and insulates the pins and a portion of the canister from electrical contact with the outer body. An electrostatic discharge dissipater can be formed from an electrically conductive material and can be molded to the outer body. The dissipater can provide a controlled dissipation path for electrostatic discharge energy carried by the initiator assembly.

WO 2012/138580 A3



**Published:**

**(88) Date of publication of the international search report:**

- *with international search report (Art. 21(3))*
- *before the expiration of the time limit for amending the claims and to be republished in the event of receipt of amendments (Rule 48.2(h))*

7 August 2014

## INTERNATIONAL SEARCH REPORT

International application No.

PCT/US 2012/031664

A. CLASSIFICATION OF SUBJECT MATTER		<b>B60R 21/01 (2006.01)</b> <b>F42B 3/10 (2006.01)</b>
According to International Patent Classification (IPC) or to both national classification and IPC		
B. FIELDS SEARCHED		
Minimum documentation searched (classification system followed by classification symbols)		
B60R 21/00, 21/01, 21/16, 21/26, F42B 3/00, 3/10, 3/103, 3/107, B29C 45/00, 45/14, B60R 22/00, 22/34, 22/46		
Documentation searched other than minimum documentation to the extent that such documents are included in the fields searched		
Electronic data base consulted during the international search (name of data base and, where practicable, search terms used)		
DWPI, EAPATIS, Espacenet, RUPAT, PAJ, K-PION, KIPRIS, SIPO, USPTO, Patentscope		
C. DOCUMENTS CONSIDERED TO BE RELEVANT		
Category*	Citation of document, with indication, where appropriate, of the relevant passages	Relevant to claim No.
A	EP 0802092 A1 (MORTON INTERNATIONAL, INC.) 22.10.1997, abstract, paragraphs [0031] - [0041], fig. 7-14	1-33
A	US 2002/0174792 A1 (SATOSHI KUBOZUKA et al.) 28.11.2002, abstract, drawings	1-33
A	RU 2060179 C1 (TRV REPA GMBH) 20.05.1996, abstract	1-33
<input type="checkbox"/> Further documents are listed in the continuation of Box C. <input type="checkbox"/> See patent family annex.		
* Special categories of cited documents:		
"A"	document defining the general state of the art which is not considered to be of particular relevance	"T" later document published after the international filing date or priority date and not in conflict with the application but cited to understand the principle or theory underlying the invention
"E"	earlier document but published on or after the international filing date	"X" document of particular relevance; the claimed invention cannot be considered novel or cannot be considered to involve an inventive step when the document is taken alone
"L"	document which may throw doubts on priority claim(s) or which is cited to establish the publication date of another citation or other special reason (as specified)	"Y" document of particular relevance; the claimed invention cannot be considered to involve an inventive step when the document is combined with one or more other such documents, such combination being obvious to a person skilled in the art
"O"	document referring to an oral disclosure, use, exhibition or other means	"&" document member of the same patent family
"P"	document published prior to the international filing date but later than the priority date claimed	
Date of the actual completion of the international search		Date of mailing of the international search report
14 May 2014 (14.05.2014)		10 June 2014 (10.06.2014)
Name and mailing address of the ISA/ FIPS Russia, 123995, Moscow, G-59, GSP-5, Berezhkovskaya nab., 30-1		Authorized officer  V. Ionova
Facsimile No. +7 (499) 243-33-37		Telephone No. (495)531-64-81