

(19) World Intellectual Property Organization  
International Bureau



(43) International Publication Date  
2 April 2009 (02.04.2009)

(10) International Publication Number  
**WO 2009/041702 A3**

(51) International Patent Classification:  
G03F 7/20 (2006.01)

(74) Agent: TATEISHI, Atsuji; TATEISHI & CO., Karakida Center Bldg., 1-53-9, Karakida, Tama-shi, Tokyo, 2060035 (JP).

(21) International Application Number:  
PCT/JP2008/067778

(81) Designated States (unless otherwise indicated, for every kind of national protection available): AE, AG, AL, AM, AO, AT, AU, AZ, BA, BB, BG, BH, BR, BW, BY, BZ, CA, CH, CN, CO, CR, CU, CZ, DE, DK, DM, DO, DZ, EC, EE, EG, ES, FI, GB, GD, GE, GH, GM, GT, HN, HR, HU, ID, IL, IN, IS, JP, KE, KG, KM, KN, KP, KR, KZ, LA, LC, LK, LR, LS, LT, LU, LY, MA, MD, ME, MG, MK, MN, MW, MX, MY, MZ, NA, NG, NI, NO, NZ, OM, PG, PH, PL, PT, RO, RS, RU, SC, SD, SE, SG, SK, SL, SM, ST, SV, SY, TJ, TM, TN, TR, TT, TZ, UA, UG, US, UZ, VC, VN, ZA, ZM, ZW.

(22) International Filing Date:  
24 September 2008 (24.09.2008)

(25) Filing Language: English

(26) Publication Language: English

(30) Priority Data:  
60/960,374 27 September 2007 (27.09.2007) US  
12/234,979 22 September 2008 (22.09.2008) US

(71) Applicant (for all designated States except US): NIKON CORPORATION [JP/JP]; 2-3, Marunouchi 3-chome, Chiyoda-ku, Tokyo, 1008331 (JP).

(84) Designated States (unless otherwise indicated, for every kind of regional protection available): ARIPO (BW, GH, GM, KE, LS, MW, MZ, NA, SD, SL, SZ, TZ, UG, ZM, ZW), Eurasian (AM, AZ, BY, KG, KZ, MD, RU, TJ, TM), European (AT, BE, BG, CH, CY, CZ, DE, DK, EE, ES, FI, FR, GB, GR, HR, HU, IE, IS, IT, LT, LU, LV,

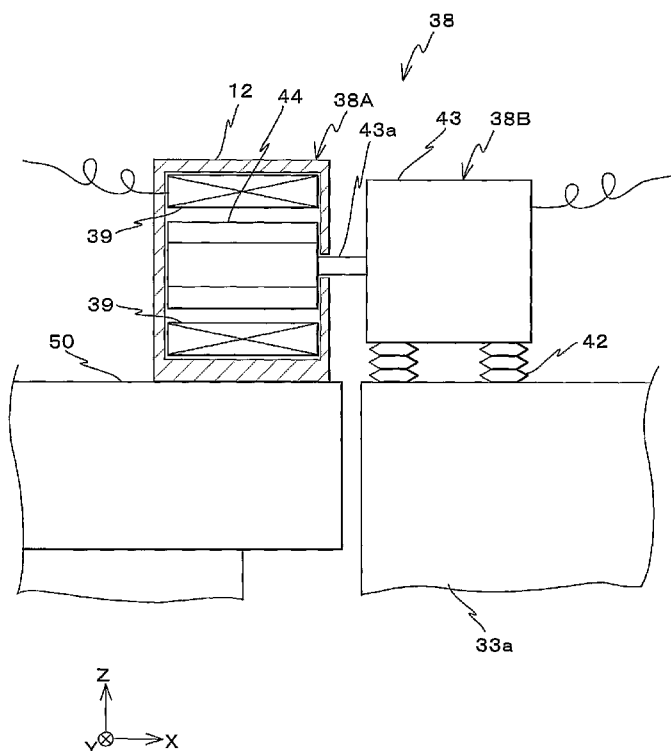
(72) Inventor; and

(75) Inventor/Applicant (for US only): SHIBAZAKI, Yuichi [JP/JP]; c/o NIKON CORPORATION, 2-3, Marunouchi 3-chome, Chiyoda-ku, Tokyo, 1008331 (JP).

[Continued on next page]

(54) Title: EXPOSURE APPARATUS

Fig. 2



(57) Abstract: Electric power is generated by using a generator (38) equipped with: a coil unit (38A) that is arranged on a barrel platform (50) and incorporates coils(39); and a magnet unit (38B) that has a magnet section (44) arranged on a protruding section (33a) of a column (30) separated from the barrel platform (50) in terms of vibration and generates an electromotive force in a non-contact state with the coils (39), and a motor (43) that drives the magnet section, and thus a wiring that supplies electric power to the barrel platform (50) does not have to be used. Accordingly, vibration that has been propagated to the barrel platform through the wiring can be precluded.

WO 2009/041702 A3



MC, MT, NL, NO, PL, PT, RO, SE, SI, SK, TR), OAPI  
(BF, BJ, CF, CG, CI, CM, GA, GN, GQ, GW, ML, MR,  
NE, SN, TD, TG).

— before the expiration of the time limit for amending the  
claims and to be republished in the event of receipt of  
amendments (Rule 48.2(h))

**Published:**

— with international search report (Art. 21(3))

**(88) Date of publication of the international search report:**

3 December 2009

**INTERNATIONAL SEARCH REPORT**

International application No  
PCT/JP2008/067778

**A. CLASSIFICATION OF SUBJECT MATTER**  
INV. G03F7/20

According to International Patent Classification (IPC) or to both national classification and IPC

**B. FIELDS SEARCHED**

Minimum documentation searched (classification system followed by classification symbols)  
G03F H02J G02B

Documentation searched other than minimum documentation to the extent that such documents are included in the fields searched

Electronic data base consulted during the international search (name of data base and, where practical, search terms used)  
EPO-Internal

**C. DOCUMENTS CONSIDERED TO BE RELEVANT**

Category*	Citation of document, with indication, where appropriate, of the relevant passages	Relevant to claim No.
X Y A	JP 2007 123319 A (NIPPON KOGAKU KK) 17 May 2007 (2007-05-17)  paragraphs [0003], [0021], [0022], [0028] - [0056]; figures 1,5	6,7, 12-14 9-11 1-5
X Y A	JP 2007 115879 A (NIPPON KOGAKU KK) 10 May 2007 (2007-05-10) paragraphs [0019] - [0034]; figures 1-3	6,7, 12-14 8-11 1-5
X Y A	US 2005/024621 A1 (KORENAGA NOBUSHIGE [JP]) 3 February 2005 (2005-02-03) paragraphs [0034] - [0064]; figures 1-6	15,17  16 9,10
	----- -/--	

Further documents are listed in the continuation of Box C.

See patent family annex.

\* Special categories of cited documents :

- \*A\* document defining the general state of the art which is not considered to be of particular relevance
- \*E\* earlier document but published on or after the international filing date
- \*L\* document which may throw doubts on priority claim(s) or which is cited to establish the publication date of another citation or other special reason (as specified)
- \*O\* document referring to an oral disclosure, use, exhibition or other means
- \*P\* document published prior to the international filing date but later than the priority date claimed

- \*T\* later document published after the international filing date or priority date and not in conflict with the application but cited to understand the principle or theory underlying the invention
- \*X\* document of particular relevance; the claimed invention cannot be considered novel or cannot be considered to involve an inventive step when the document is taken alone
- \*Y\* document of particular relevance; the claimed invention cannot be considered to involve an inventive step when the document is combined with one or more other such documents, such combination being obvious to a person skilled in the art.
- \*Z\* document member of the same patent family

Date of the actual completion of the international search

29 September 2009

Date of mailing of the international search report

08/10/2009

Name and mailing address of the ISA/

European Patent Office, P.B. 5818 Patentlaan 2  
NL - 2280 HV Rijswijk  
Tel. (+31-70) 340-2040,  
Fax: (+31-70) 340-3016

Authorized officer

Roesch, Guillaume

## INTERNATIONAL SEARCH REPORT

International application No

PCT/JP2008/067778

C(Continuation). DOCUMENTS CONSIDERED TO BE RELEVANT		
Category*	Citation of document, with indication, where appropriate, of the relevant passages	Relevant to claim No.
Y	US 2006/093272 A1 (FENWICK DAVID M [US] ET AL FENWICK DAVID MARTIN [US] ET AL) 4 May 2006 (2006-05-04) paragraphs [0040] - [0052]; figures 12A-13D -----	8-11
Y	WO 2006/038952 A (NIPPON KOGAKU KK [JP]; EBIHARA AKIMITSU [JP]; LEE MARTIN E [US]; YUAN) 13 April 2006 (2006-04-13) figures 2,7 -----	16
A	US 6 289 152 B1 (ZHANG B BARRY [US] ET AL) 11 September 2001 (2001-09-11) columns 1,8 -----	8,9
A	US 2002/017890 A1 (EBIHARA AKIMITSU [JP] ET AL) 14 February 2002 (2002-02-14) pages 8-11; figure 7 -----	15-17

# INTERNATIONAL SEARCH REPORT

International application No.  
PCT/JP2008/067778

## Box No. II Observations where certain claims were found unsearchable (Continuation of item 2 of first sheet)

This international search report has not been established in respect of certain claims under Article 17(2)(a) for the following reasons:

1.  Claims Nos.:  
because they relate to subject matter not required to be searched by this Authority, namely:
  
2.  Claims Nos.:  
because they relate to parts of the international application that do not comply with the prescribed requirements to such an extent that no meaningful international search can be carried out, specifically:
  
3.  Claims Nos.:  
because they are dependent claims and are not drafted in accordance with the second and third sentences of Rule 6.4(a).

## Box No. III Observations where unity of invention is lacking (Continuation of item 3 of first sheet)

This International Searching Authority found multiple inventions in this international application, as follows:

see additional sheet

1.  As all required additional search fees were timely paid by the applicant, this international search report covers allsearchable claims.
  
2.  As all searchable claims could be searched without effort justifying an additional fees, this Authority did not invite payment of additional fees.
  
3.  As only some of the required additional search fees were timely paid by the applicant, this international search report covers only those claims for which fees were paid, specifically claims Nos.:
  
4.  No required additional search fees were timely paid by the applicant. Consequently, this international search report is restricted to the invention first mentioned in the claims; it is covered by claims Nos.:

### Remark on Protest

- The additional search fees were accompanied by the applicant's protest and, where applicable, the payment of a protest fee.
- The additional search fees were accompanied by the applicant's protest but the applicable protest fee was not paid within the time limit specified in the invitation.
- No protest accompanied the payment of additional search fees.

**FURTHER INFORMATION CONTINUED FROM PCT/ISA/ 210**

This International Searching Authority found multiple (groups of) inventions in this international application, as follows:

1. claims: 1-5

contactless electric power transfer with rotating magnet  
generator  
---

2. claims: 6-14

contactless electric signal transfer  
---

3. claims: 15-17

piping relay  
---

# INTERNATIONAL SEARCH REPORT

Information on patent family members

International application No

PCT/JP2008/067778

Patent document cited in search report	Publication date	Patent family member(s)	Publication date
JP 2007123319 A	17-05-2007	NONE	
JP 2007115879 A	10-05-2007	NONE	
US 2005024621 A1	03-02-2005	JP 2005046941 A US 2006187439 A1	24-02-2005 24-08-2006
US 2006093272 A1	04-05-2006	US 2009034910 A1	05-02-2009
WO 2006038952 A	13-04-2006	CN 101052916 A EP 1794650 A2 JP 2008515219 T KR 20070085219 A SG 149819 A1 US 2008068568 A1	10-10-2007 13-06-2007 08-05-2008 27-08-2007 27-02-2009 20-03-2008
US 6289152 B1	11-09-2001	AU 752890 B2 AU 2958000 A CA 2348556 A1 CN 1335940 A EP 1125154 A2 JP 2002528760 T TW 524992 B WO 0025162 A2	03-10-2002 15-05-2000 04-05-2000 13-02-2002 22-08-2001 03-09-2002 21-03-2003 04-05-2000
US 2002017890 A1	14-02-2002	NONE	