

(19) World Intellectual Property Organization  
International Bureau



(43) International Publication Date  
31 July 2003 (31.07.2003)

PCT

(10) International Publication Number  
WO 03/063279 A3

(51) International Patent Classification<sup>7</sup>: H01M 8/06,  
B01J 12/00, C01B 3/32

[JP/JP]; 2-1-1-301, Namiki, Kanazawa-ku, Yokohama-shi, Kanagawa 236-0005 (JP). SHOJI, Tadashi [JP/JP]; 2-13, Tsurugaoka, Yokosuka-shi, Kanagawa 238-0056 (JP). TANAKA, Shiro [JP/JP]; 3-1-15-11-714, Morisaki, Yokosuka-shi, Kanagawa 238-0023 (JP).

(21) International Application Number: PCT/JP02/12954

(22) International Filing Date:  
11 December 2002 (11.12.2002)

(74) Agent: GOTO, Masaki; Shoyu-Kaikan, 3-1, Kasumigaseki 3-chome, Chiyoda-ku, Tokyo 100-0013 (JP).

(25) Filing Language: English

(81) Designated States (national): CN, KR, US.

(26) Publication Language: English

(84) Designated States (regional): European patent (AT, BE, BG, CH, CY, CZ, DE, DK, EE, ES, FI, FR, GB, GR, IE, IT, LU, MC, NL, PT, SE, SI, SK, TR).

(30) Priority Data:  
2002-013962 23 January 2002 (23.01.2002) JP  
2002-147421 22 May 2002 (22.05.2002) JP

Published:  
— with international search report

(71) Applicant (for all designated States except US): NISSAN MOTOR CO., LTD. [JP/JP]; 2, Takara-cho, Kanagawa-ku, Yokohama-shi, Kanagawa 221-0023 (JP).

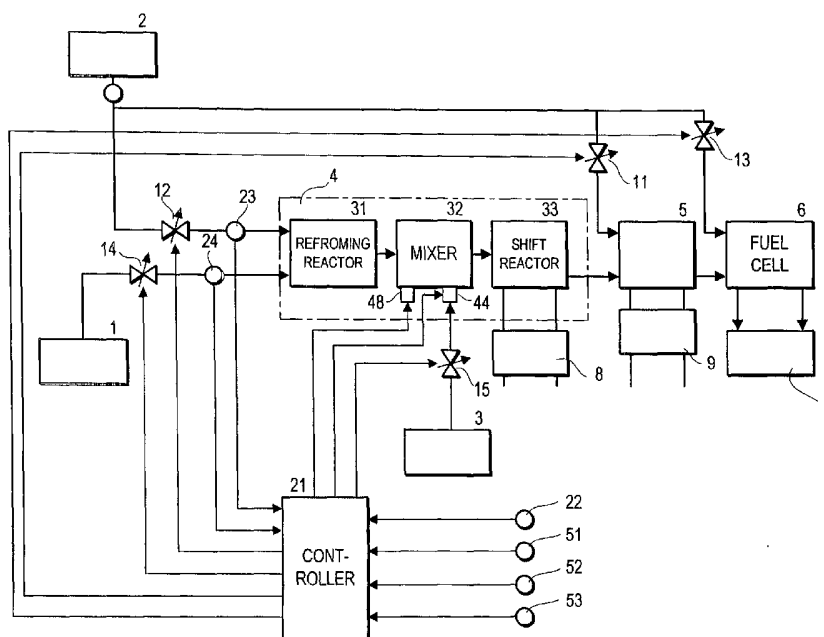
(88) Date of publication of the international search report:  
30 October 2003

(72) Inventors; and

(75) Inventors/Applicants (for US only): SAKAKIDA, Akihiro [JP/JP]; 5-14-1-109, Morisaki, Yokosuka-shi, Kanagawa 238-0023 (JP). SHINOHARA, Mikiya

For two-letter codes and other abbreviations, refer to the "Guidance Notes on Codes and Abbreviations" appearing at the beginning of each regular issue of the PCT Gazette.

(54) Title: FUEL REFORMING SYSTEM OF A FUEL CELL



(57) Abstract: In a reforming reactor (31), a partial oxidation reaction is performed between a hydrocarbon fuel and air, and in a mixer (32), water is injected into hot gas heated by the partial oxidation reaction to vaporize the water, and the vaporized water is mixed with the hot gas. In a shift reactor (33), the vaporized water is made to undergo a shift reaction with the hot gas. In this way, a device for promoting vaporization of the water or a complex fuel injection device is not required.



WO 03/063279 A3

## INTERNATIONAL SEARCH REPORT

International Application No  
PCT/JP 02/12954A. CLASSIFICATION OF SUBJECT MATTER  
IPC 7 H01M8/06 B01J12/00 C01B3/32

According to International Patent Classification (IPC) or to both national classification and IPC

## B. FIELDS SEARCHED

Minimum documentation searched (classification system followed by classification symbols)  
IPC 7 H01M B01J C01B

Documentation searched other than minimum documentation to the extent that such documents are included in the fields searched

Electronic data base consulted during the international search (name of data base and, where practical, search terms used)

EPO-Internal, WPI Data, PAJ, INSPEC

## C. DOCUMENTS CONSIDERED TO BE RELEVANT

Category °	Citation of document, with indication, where appropriate, of the relevant passages	Relevant to claim No.
X	US 3 955 941 A (KUSHIDA RAYMOND O ET AL) 11 May 1976 (1976-05-11) column 2, line 53 -column 3, line 58 figure 2	1, 16, 17
Y	--- PATENT ABSTRACTS OF JAPAN vol. 2000, no. 14, 5 March 2001 (2001-03-05) & JP 2000 306594 A (TOYOTA MOTOR CORP), 2 November 2000 (2000-11-02) cited in the application abstract	1, 16, 17
Y	--- DE 100 54 139 A (GEN MOTORS CORP N D GES D STAA) 17 May 2001 (2001-05-17) page 3, line 23-29 page 4, line 18-60 figure 1	1, 16, 17
	--- -/--	

 Further documents are listed in the continuation of box C. Patent family members are listed in annex.

° Special categories of cited documents:

- \*A\* document defining the general state of the art which is not considered to be of particular relevance
- \*E\* earlier document but published on or after the international filing date
- \*L\* document which may throw doubts on priority claim(s) or which is cited to establish the publication date of another citation or other special reason (as specified)
- \*O\* document referring to an oral disclosure, use, exhibition or other means
- \*P\* document published prior to the international filing date but later than the priority date claimed

- \*T\* later document published after the international filing date or priority date and not in conflict with the application but cited to understand the principle or theory underlying the invention
- \*X\* document of particular relevance; the claimed invention cannot be considered novel or cannot be considered to involve an inventive step when the document is taken alone
- \*Y\* document of particular relevance; the claimed invention cannot be considered to involve an inventive step when the document is combined with one or more other such documents, such combination being obvious to a person skilled in the art.
- \*&\* document member of the same patent family

Date of the actual completion of the international search

7 July 2003

Date of mailing of the international search report

23/07/2003

Name and mailing address of the ISA

European Patent Office, P.B. 5818 Patentlaan 2  
NL - 2280 HV Rijswijk  
Tel. (+31-70) 340-2040, Tx. 31 651 epo nl,  
Fax: (+31-70) 340-3016

Authorized officer

Engl, H

## INTERNATIONAL SEARCH REPORT

International Application No  
PCT/JP 02/12954

## C.(Continuation) DOCUMENTS CONSIDERED TO BE RELEVANT

Category °	Citation of document, with indication, where appropriate, of the relevant passages	Relevant to claim No.
A	US 6 316 134 B1 (EICHE MICHAEL ET AL) 13 November 2001 (2001-11-13) column 4, line 36 -column 5, line 22 -----	1-17

## INTERNATIONAL SEARCH REPORT

Information on patent family members

International Application No

PCT/JP 02/12954

Patent document cited in search report		Publication date	Patent family member(s)	Publication date
US 3955941	A	11-05-1976	AU 7235174 A	26-02-1976
			CA 1029556 A1	18-04-1978
			DE 2439873 A1	13-03-1975
			FR 2241488 A1	21-03-1975
			GB 1485834 A	14-09-1977
			IT 1020039 B	20-12-1977
			JP 50081989 A	03-07-1975
			SE 7410516 A	21-02-1975
-----				
JP 2000306594	A	02-11-2000	NONE	
-----				
DE 10054139	A	17-05-2001	CA 2317992 A1	08-05-2001
			DE 10054139 A1	17-05-2001
			US 2002122965 A1	05-09-2002
-----				
US 6316134	B1	13-11-2001	AU 6975500 A	17-04-2001
			WO 0120702 A2	22-03-2001
			CA 2386635 A1	22-03-2001
			EP 1243049 A2	25-09-2002
			US 2002015870 A1	07-02-2002
-----				