



US00D552782S

(12) **United States Design Patent**  
**Korpi**

(10) **Patent No.:** **US D552,782 S**

(45) **Date of Patent:** **\*\* Oct. 9, 2007**

(54) **WORKLIGHT**

(75) Inventor: **Jari Korpi**, Helsinki (FI)

(73) Assignee: **Oy B Herrmans AB**, Pietarsaari (FI)

(\*\*) Term: **14 Years**

(21) Appl. No.: **29/267,780**

(22) Filed: **Oct. 20, 2006**

(30) **Foreign Application Priority Data**

Apr. 21, 2006 (EM) ..... 000515416

(51) **LOC (8) Cl.** ..... **26-05**

(52) **U.S. Cl.** ..... **D26/63**

(58) **Field of Classification Search** ..... D26/61,  
D26/63, 66, 71, 72; 362/269–271, 273, 285,  
362/287, 289, 372, 396, 418, 426, 427, 430,  
362/648, 650

See application file for complete search history.

(56) **References Cited**

**U.S. PATENT DOCUMENTS**

D93,934 S \* 11/1934 Levy ..... D26/65

4,061,912 A \* 12/1977 Levasseur ..... 362/287  
D247,689 S \* 4/1978 LeVasseur ..... D26/63  
D316,304 S \* 4/1991 Court ..... D26/63

\* cited by examiner

*Primary Examiner*—Clare E Heflin

(74) *Attorney, Agent, or Firm*—Klauber & Jackson LLC

(57) **CLAIM**

The ornamental design for a worklight, as shown and described.

**DESCRIPTION**

FIG. 1 is a perspective view showing the right side, the top and the front of the worklight of my new design;

FIG. 2 is a front view thereof;

FIG. 3 is a back view thereof;

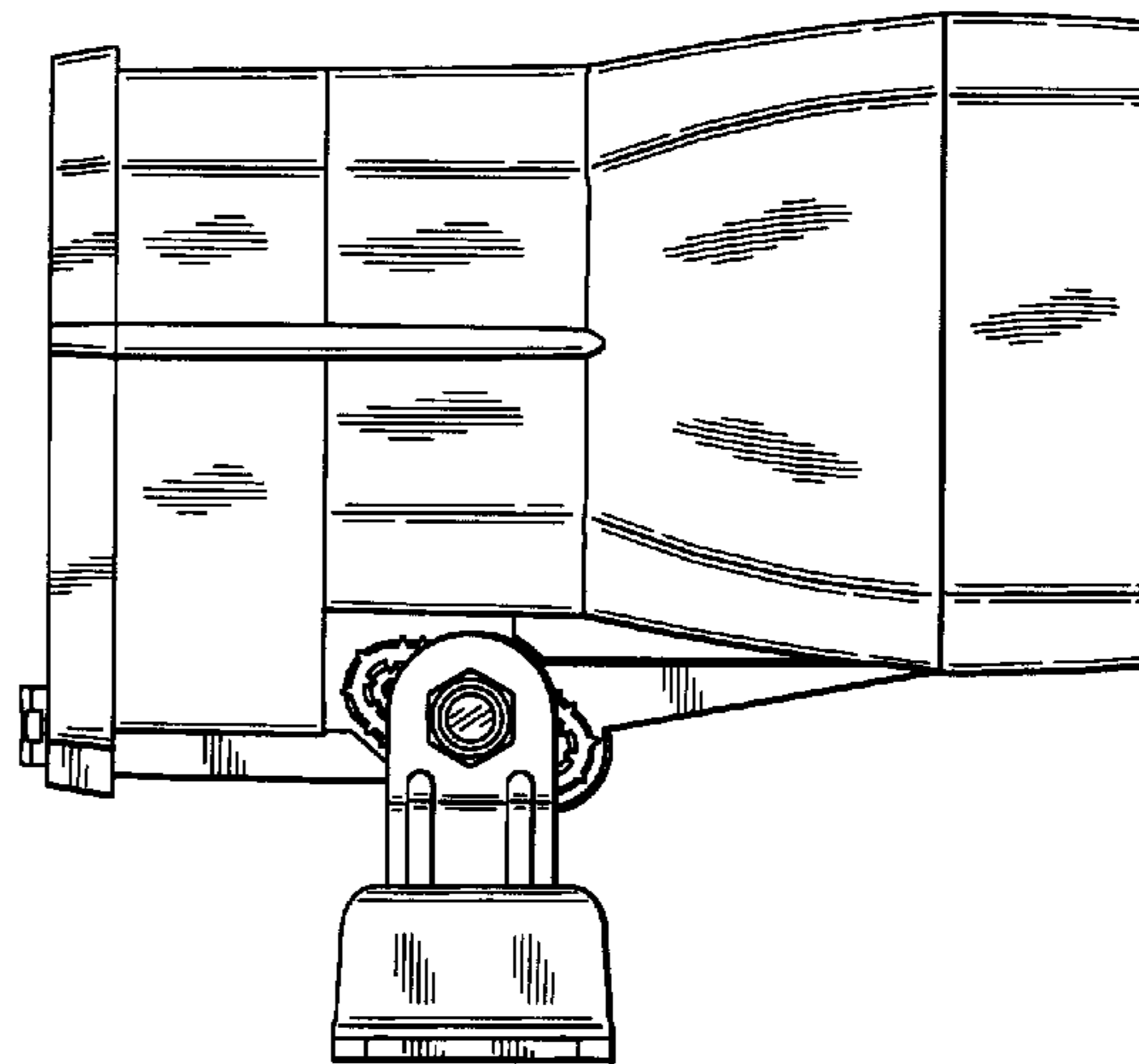
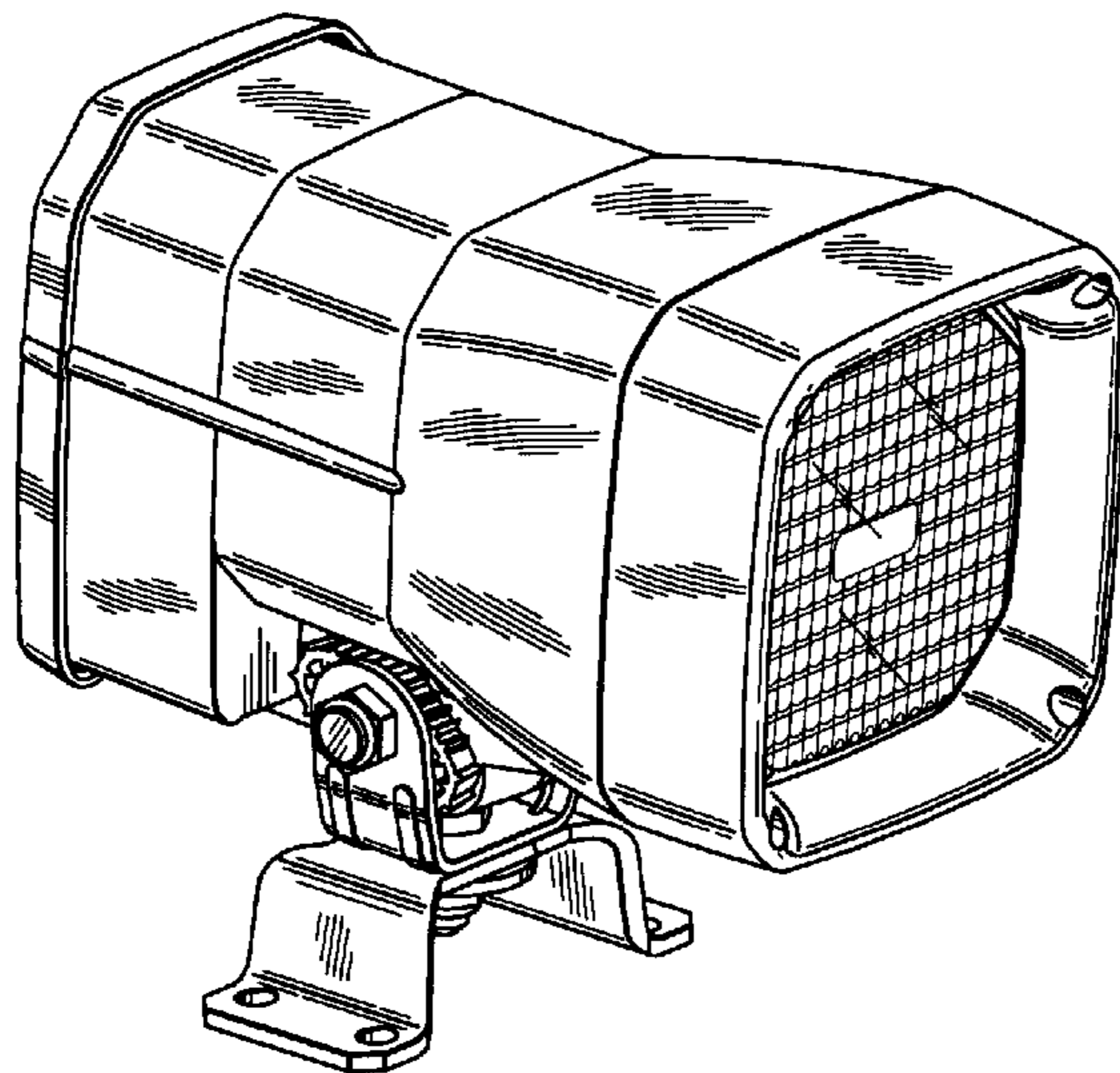
FIG. 4 is a left side view thereof;

FIG. 5 is a right side view thereof;

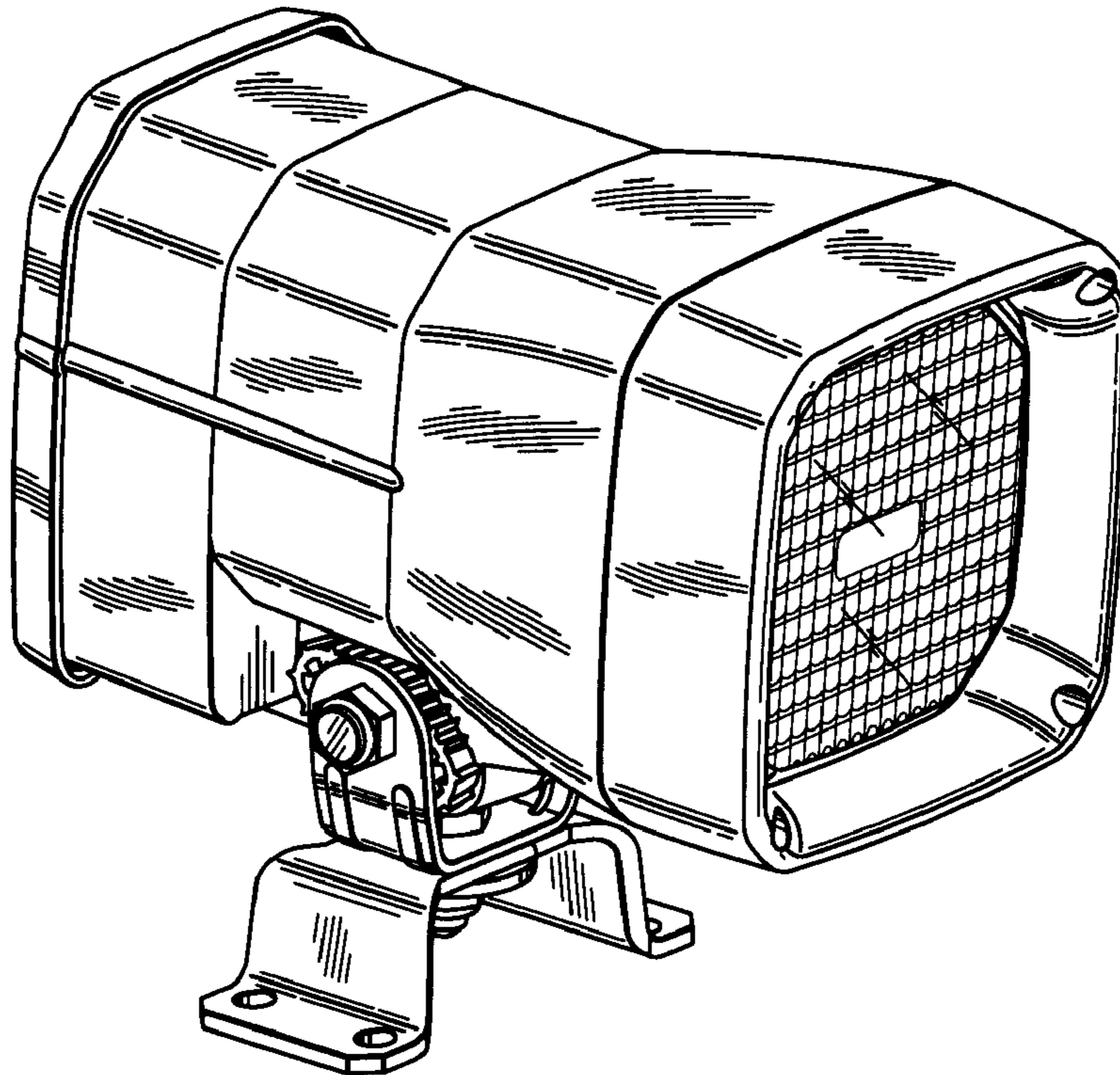
FIG. 6 is a bottom view thereof; and,

FIG. 7 is a top view of the claimed design.

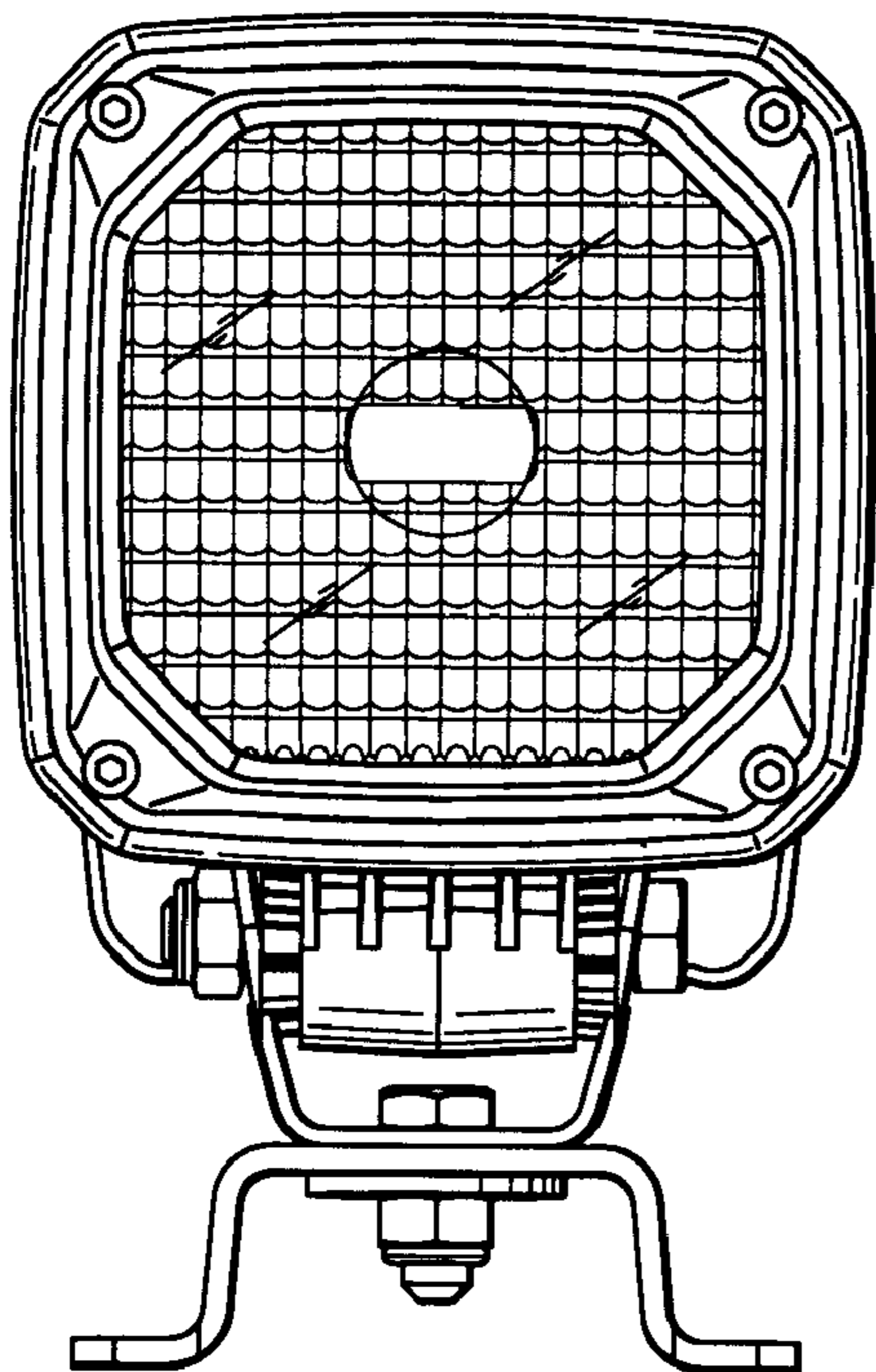
**1 Claim, 3 Drawing Sheets**



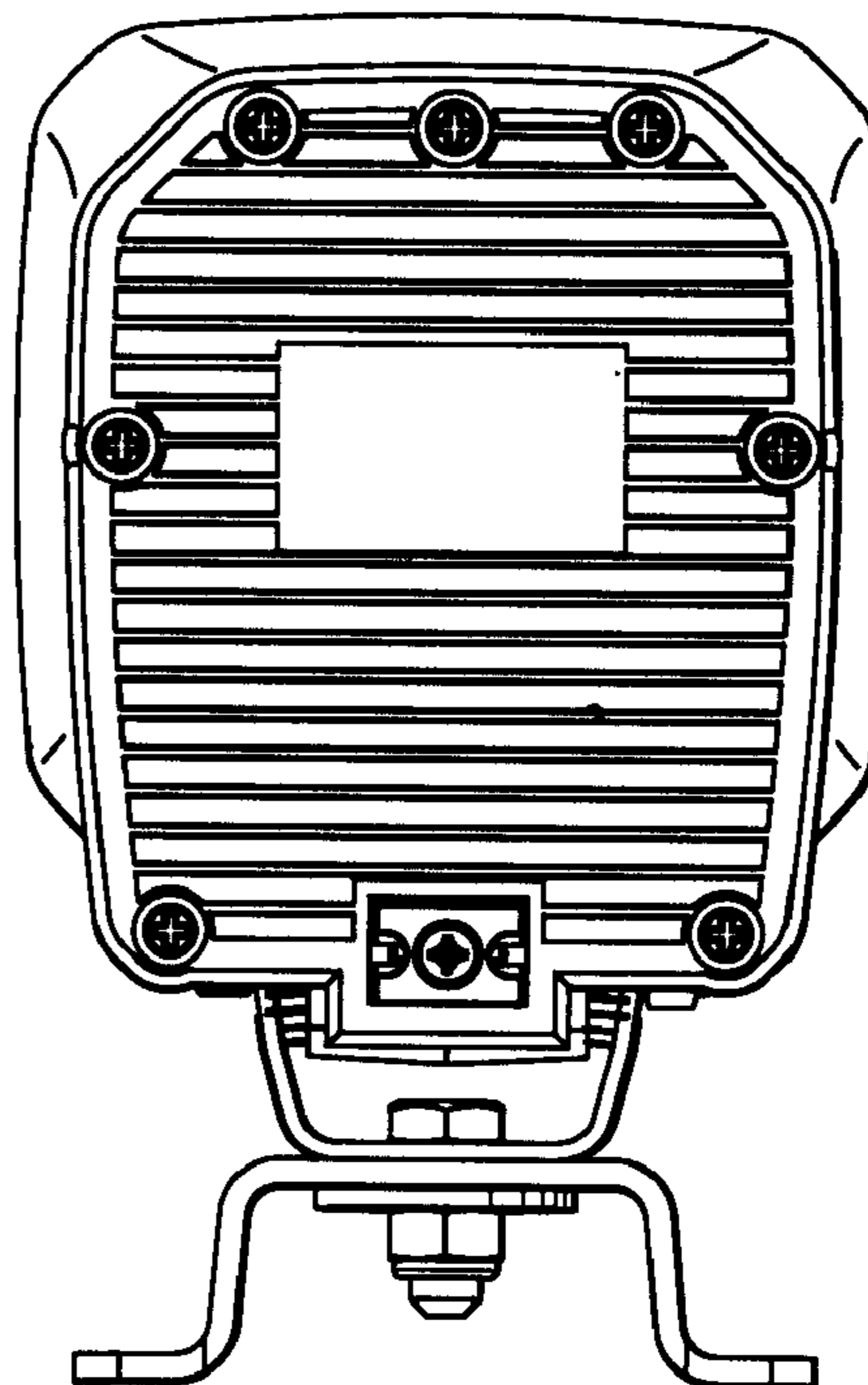
***Fig. 1***



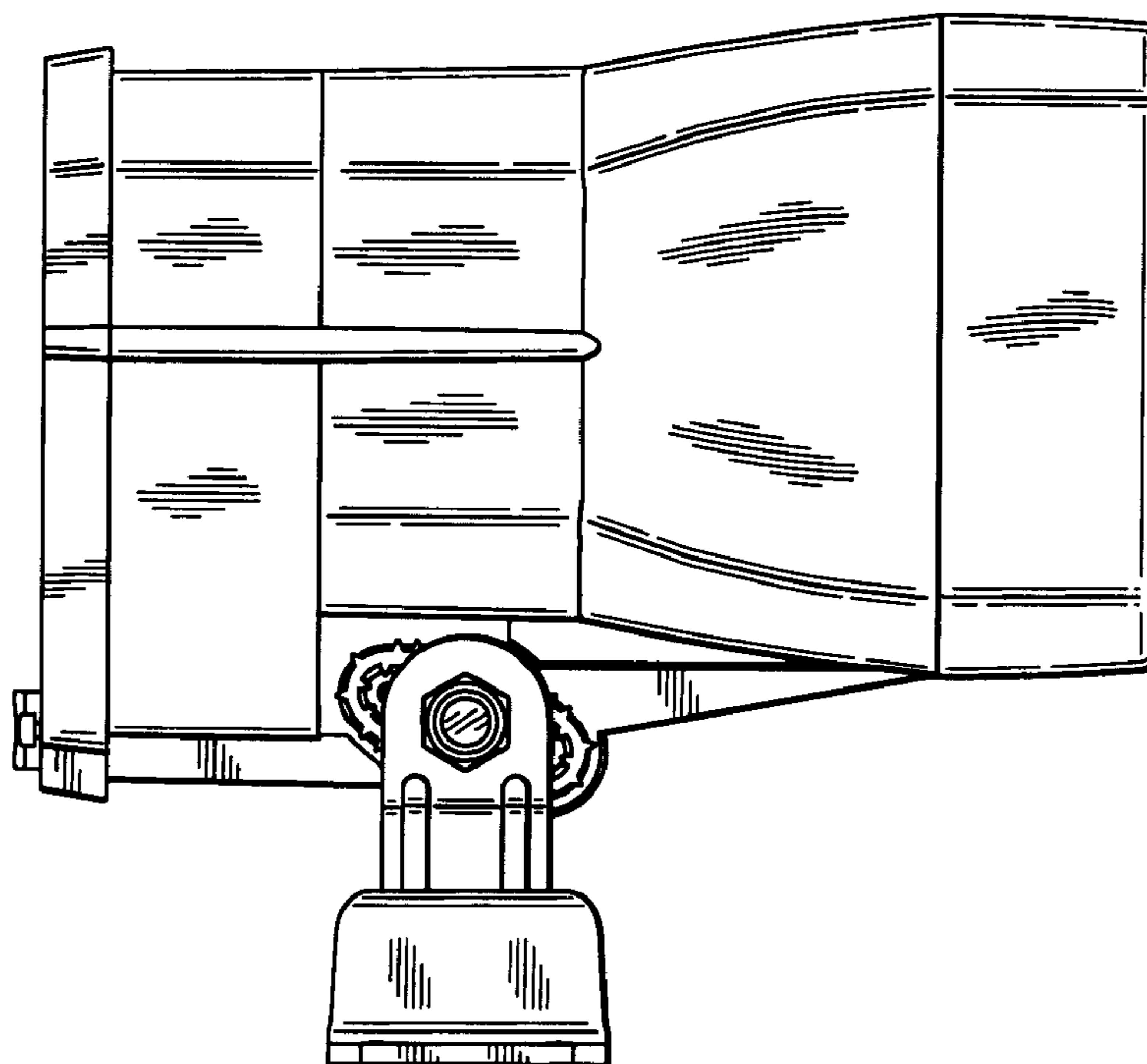
***Fig. 2***



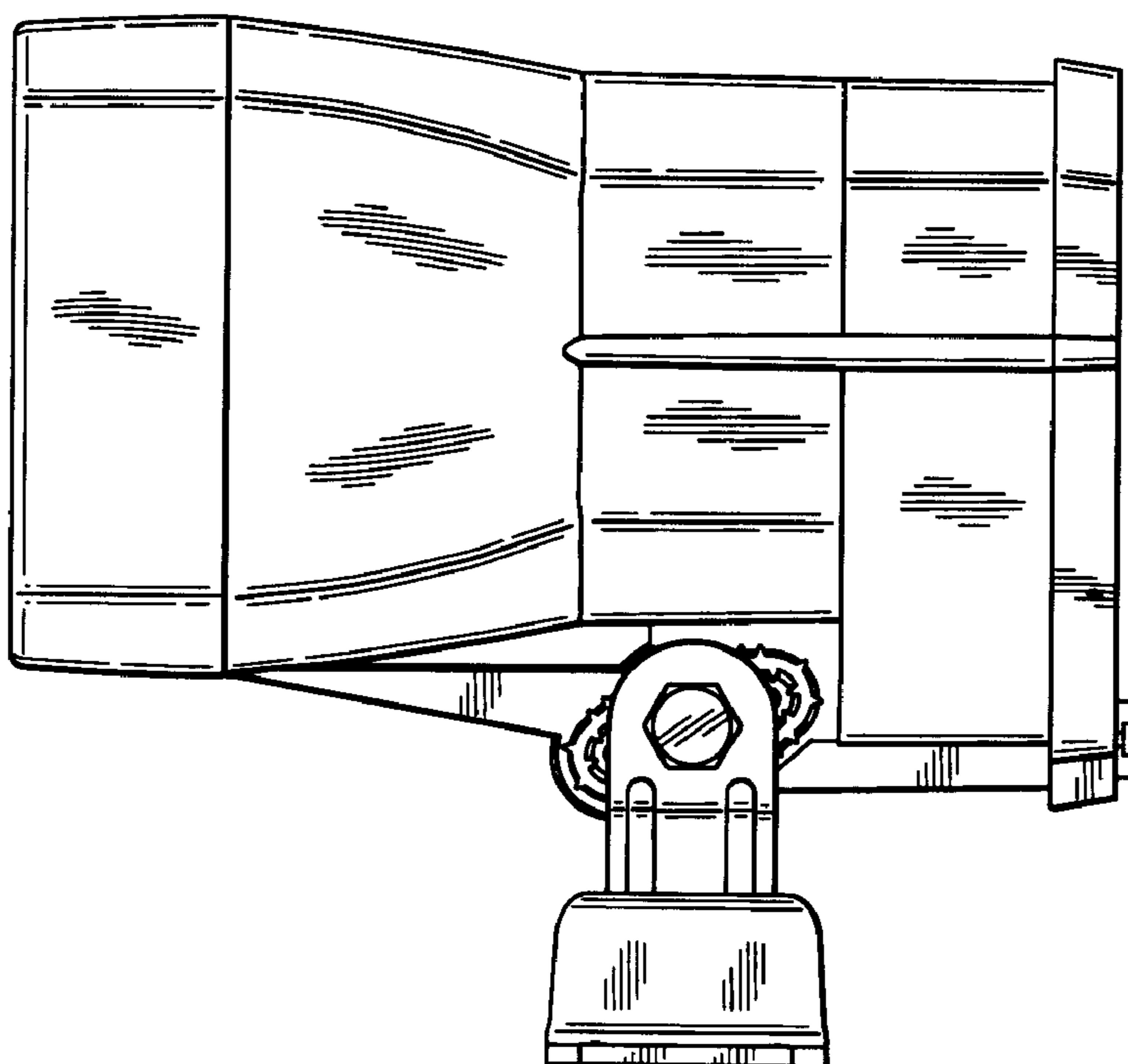
***Fig. 3***



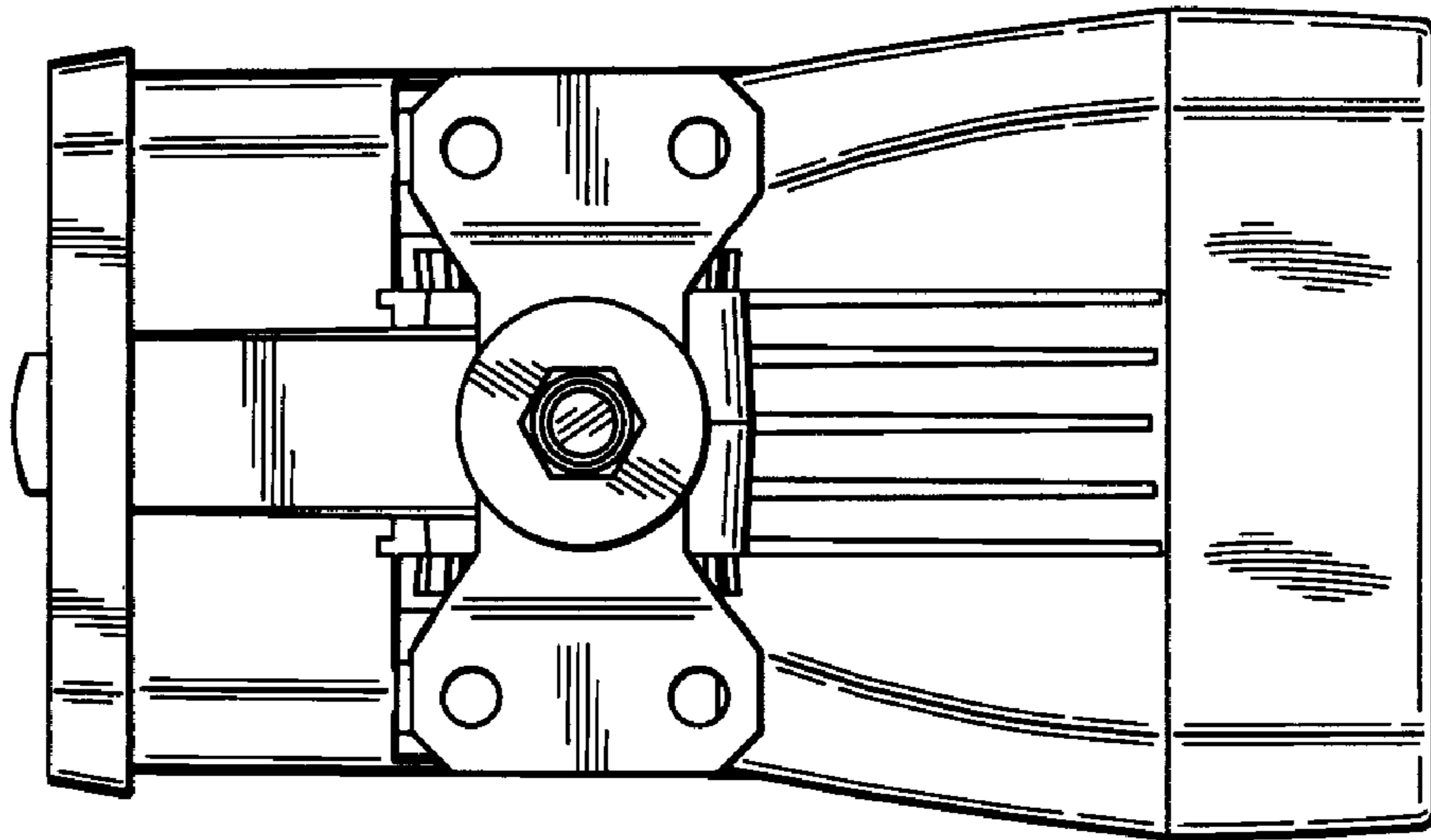
***Fig. 4***



***Fig. 5***



***Fig. 6***



***Fig. 7***

