

CORRECTED VERSION

(19) World Intellectual Property Organization International Bureau



WIPO | PCT



(10) International Publication Number WO 2016/141302 A8

(43) International Publication Date 9 September 2016 (09.09.2016)

- (51) International Patent Classification: C12Q 1/68 (2006.01) G01N 27/414 (2006.01)
- (21) International Application Number: PCT/US2016/020918
- (22) International Filing Date: 4 March 2016 (04.03.2016)
- (25) Filing Language: English
- (26) Publication Language: English
- (30) Priority Data: 62/128,916 5 March 2015 (05.03.2015) US
- (71) Applicant: LIFE TECHNOLOGIES CORPORATION [US/US]; 5791 Van Allen Way, Carlsbad, California 92008 (US).
- (72) Inventors: WAGGONER, Phil; 5791 Van Allen Way, Carlsbad, California 92008 (US). BALL, James; 5791 Van Allen Way, Carlsbad, California 92008 (US). HINZ, Wolfgang; 5791 Van Allen Way, Carlsbad, California 92008 (US). MINTO, Michael; 5791 Van Allen Way, Carlsbad, California 92008 (US). PARKER, Scott; 5791

Van Allen Way, Carlsbad, California 92008 (US). COX, David; 5791 Van Allen Way, Carlsbad, California 92008 (US). MASTROIANNI, Alexander; 5791 Van Allen Way, Carlsbad, California 92008 (US). GRAY, Jeremy; 5791 Van Allen Way, Carlsbad, California 92008 (US). GLAZER, Marc; 5791 Van Allen Way, Carlsbad, California 92008 (US). GORRELL, Kimberly; 5791 Van Allen Way, Carlsbad, California 92008 (US).

- (74) Agent: SCHELL, John; Life Technologies Corporation, IP Department, 5791 Van Allen Way, Carlsbad, California 92008 (US).
- (81) Designated States (unless otherwise indicated, for every kind of national protection available): AE, AG, AL, AM, AO, AT, AU, AZ, BA, BB, BG, BH, BN, BR, BW, BY, BZ, CA, CH, CL, CN, CO, CR, CU, CZ, DE, DK, DM, DO, DZ, EC, EE, EG, ES, FI, GB, GD, GE, GH, GM, GT, HN, HR, HU, ID, IL, IN, IR, IS, JP, KE, KG, KN, KP, KR, KZ, LA, LC, LK, LR, LS, LU, LY, MA, MD, ME, MG, MK, MN, MW, MX, MY, MZ, NA, NG, NI, NO, NZ, OM, PA, PE, PG, PH, PL, PT, QA, RO, RS, RU, RW, SA, SC, SD, SE, SG, SK, SL, SM, ST, SV, SY, TH, TJ, TM, TN, TR, TT, TZ, UA, UG, US, UZ, VC, VN, ZA, ZM, ZW.

[Continued on next page]

(54) Title: SURFACE STABILIZATION OF BIOSENSORS

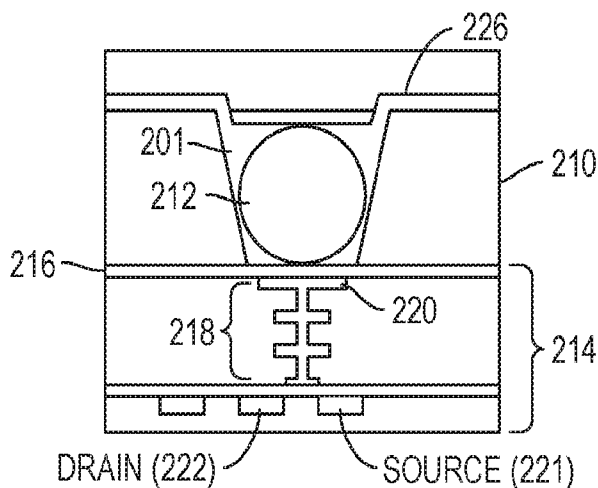


FIG. 2C

(57) Abstract: A sensor apparatus includes a substrate, a semiconductor device (such as a chemFET or ion-sensitive FET) disposed over the substrate, the semiconductor device having a surface electrode structure, and a saccharide coating formed over the surface electrode structure. The saccharide coating can be removed prior to use, e.g., in nucleic acid sequencing. The semiconductor device can include a well and optionally a bead conjugated to a nucleic acid disposed in the well.



WO 2016/141302 A8

(84) Designated States (unless otherwise indicated, for every kind of regional protection available): ARIPO (BW, GH, GM, KE, LR, LS, MW, MZ, NA, RW, SD, SL, ST, SZ, TZ, UG, ZM, ZW), Eurasian (AM, AZ, BY, KG, KZ, RU, TJ, TM), European (AL, AT, BE, BG, CH, CY, CZ, DE, DK, EE, ES, FI, FR, GB, GR, HR, HU, IE, IS, IT, LT, LU, LV, MC, MK, MT, NL, NO, PL, PT, RO, RS, SE, SI, SK, SM, TR), OAPI (BF, BJ, CF, CG, CI, CM, GA, GN, GQ, GW, KM, ML, MR, NE, SN, TD, TG).

Declarations under Rule 4.17:

— of inventorship (Rule 4.17(iv))

Published:

- with international search report (Art. 21(3))
- before the expiration of the time limit for amending the claims and to be republished in the event of receipt of amendments (Rule 48.2(h))

(48) Date of publication of this corrected version:

29 September 2016

(15) Information about Correction:

see Notice of 29 September 2016