



US00D770833S

(12) **United States Design Patent** (10) **Patent No.:** **US D770,833 S**
Lira-Nunez et al. (45) **Date of Patent:** **** Nov. 8, 2016**

- (54) **GRILL BODY** D482,561 S * 11/2003 Yeh D7/332
6,684,876 B2 * 2/2004 Bossler F16B 12/52
126/25 R
- (71) Applicants: **Carmen O. Lira-Nunez**, Downers
Grove, IL (US); **Hollice Childress**,
Schaumburg, IL (US); **R. Sonny**
Siazon, Woodstock, IL (US); **James M.**
Sunich, Carol Stream, IL (US) 7,681,568 B2 * 3/2010 DeMars A47J 37/0704
126/25 B
D618,486 S * 6/2010 Bruno D7/334
D619,416 S * 7/2010 Bailey D7/402
D621,214 S * 8/2010 Bruno D7/402
D621,215 S * 8/2010 Bruno D7/403
D621,216 S * 8/2010 Bruno D7/406
D668,096 S * 10/2012 Simms, II D7/334
D717,095 S * 11/2014 Chung D7/334
D726,490 S * 4/2015 Spencer D7/332
D747,620 S * 1/2016 Chung D7/332
D747,909 S * 1/2016 Simms, II D7/332
- (72) Inventors: **Carmen O. Lira-Nunez**, Downers
Grove, IL (US); **Hollice Childress**,
Schaumburg, IL (US); **R. Sonny**
Siazon, Woodstock, IL (US); **James M.**
Sunich, Carol Stream, IL (US) 2002/0078944 A1 * 6/2002 Cuzzolino A47J 37/0704
126/41 R
- (73) Assignee: **Weber-Stephen Products LLC**,
Palantine, IL (US) 2010/0269713 A1 * 10/2010 Foster A47J 37/0781
99/482
2011/0214662 A1 * 9/2011 Contarino, Jr. A47J 37/07
126/25 R

(**) Term: **15 Years**

* cited by examiner

(21) Appl. No.: **29/530,650**

Primary Examiner — Susan Bennett Hattan

(22) Filed: **Jun. 18, 2015**

Assistant Examiner — Brett Miller

(51) **LOC (10) Cl.** **07-02**

(74) *Attorney, Agent, or Firm* — Niro Law, Ltd.

(52) **U.S. Cl.** **D7/332**

(57) **CLAIM**

(58) **Field of Classification Search**

The ornamental design for a grill body, as shown and described in the following Figures.

USPC D7/323–339, 352–353, 402–403, 609,
D7/501.1–501.4, 404–406; 126/25 R, 41 R,
126/50; D9/428, 429
CPC .. A47J 37/0611; A47J 37/06; A47J 37/0617;
A47J 37/07–37/0713; A47J 37/0763
See application file for complete search history.

DESCRIPTION

(56) **References Cited**

U.S. PATENT DOCUMENTS

- D223,042 S * 2/1972 Wilkinson D7/334
- D322,909 S * 1/1992 Parent D7/334
- D325,315 S * 4/1992 Parent D7/334
- 5,572,983 A * 11/1996 Schlosser A47J 37/0704
126/25 R
- 5,638,808 A * 6/1997 Home A47J 37/0713
126/25 R
- 6,155,248 A * 12/2000 Schlosser F23J 3/06
126/25 R

FIG. 1 is a perspective view of a grill of the present invention;
FIG. 2 is a top view of the grill of the present invention;
FIG. 3 is a front view of the grill of the present invention;
FIG. 4 is a right side view of the grill of the present invention;
FIG. 5 is a rear view of the grill of the present invention;
FIG. 6 is a left side view of the grill of the present invention;
and,
FIG. 7 is a bottom view of the grill of the present invention.
The broken lines that are immediately adjacent to the shaded areas and define unshaded regions, represent the bounds of the claimed design. The broken lines that are shown within the broken line boundaries and the broken lines outside of the claim are directed to environment. The broken lines form no part of the claimed design.

1 Claim, 7 Drawing Sheets

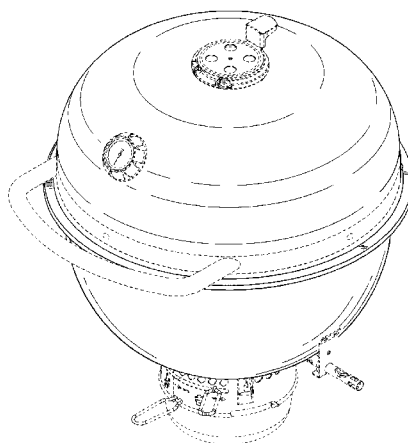


Fig. 1

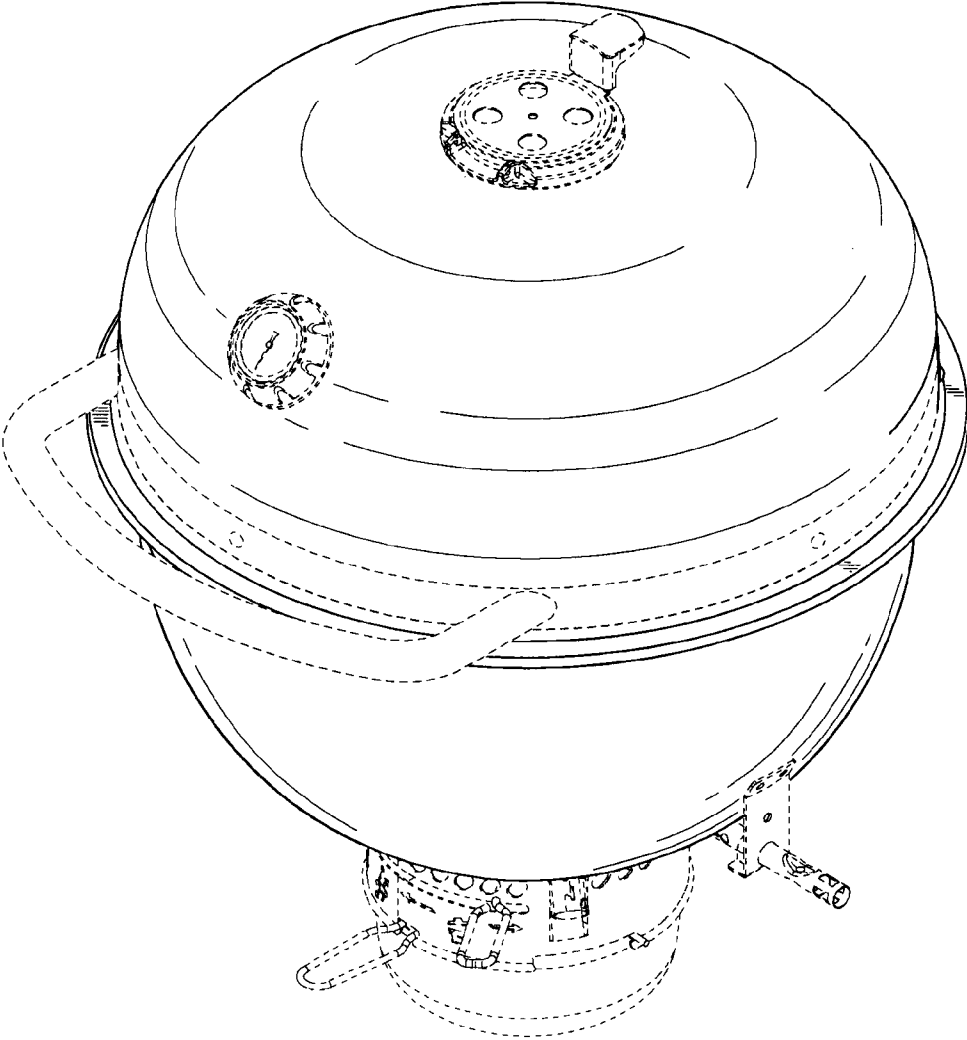


Fig. 2

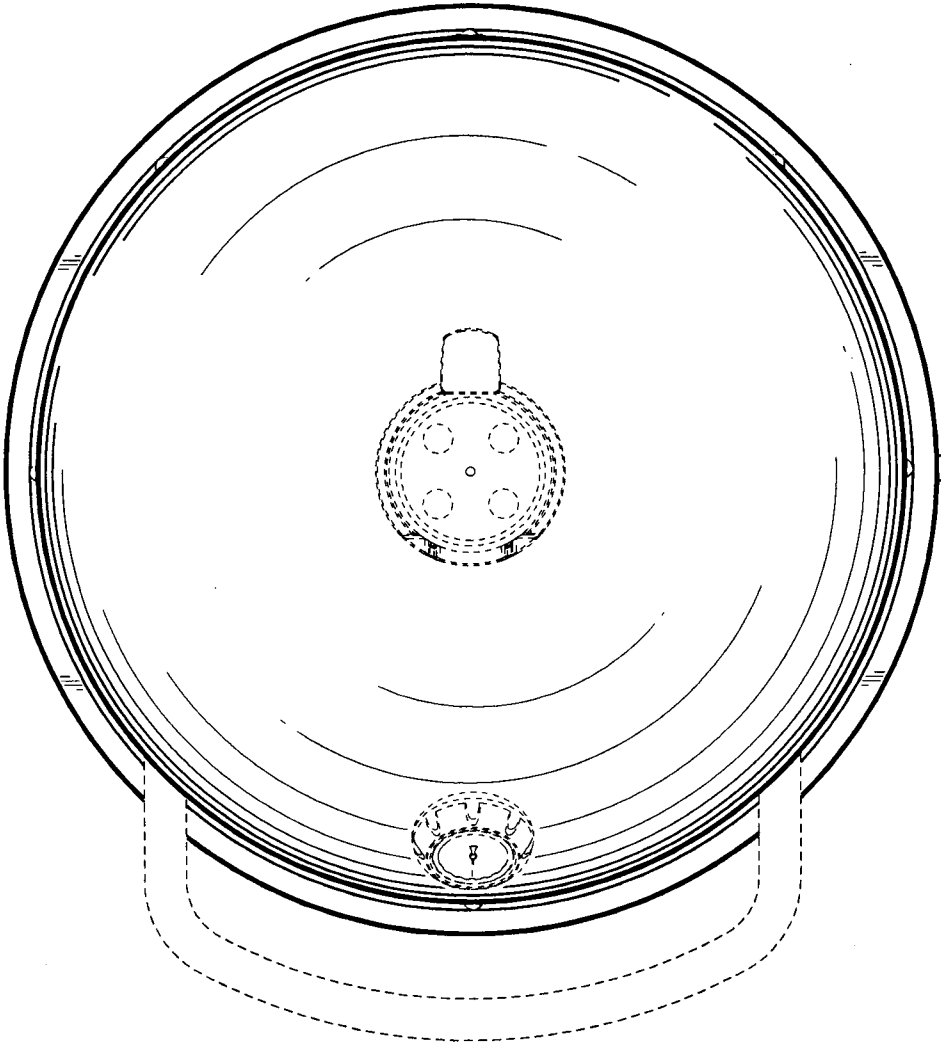


Fig. 3

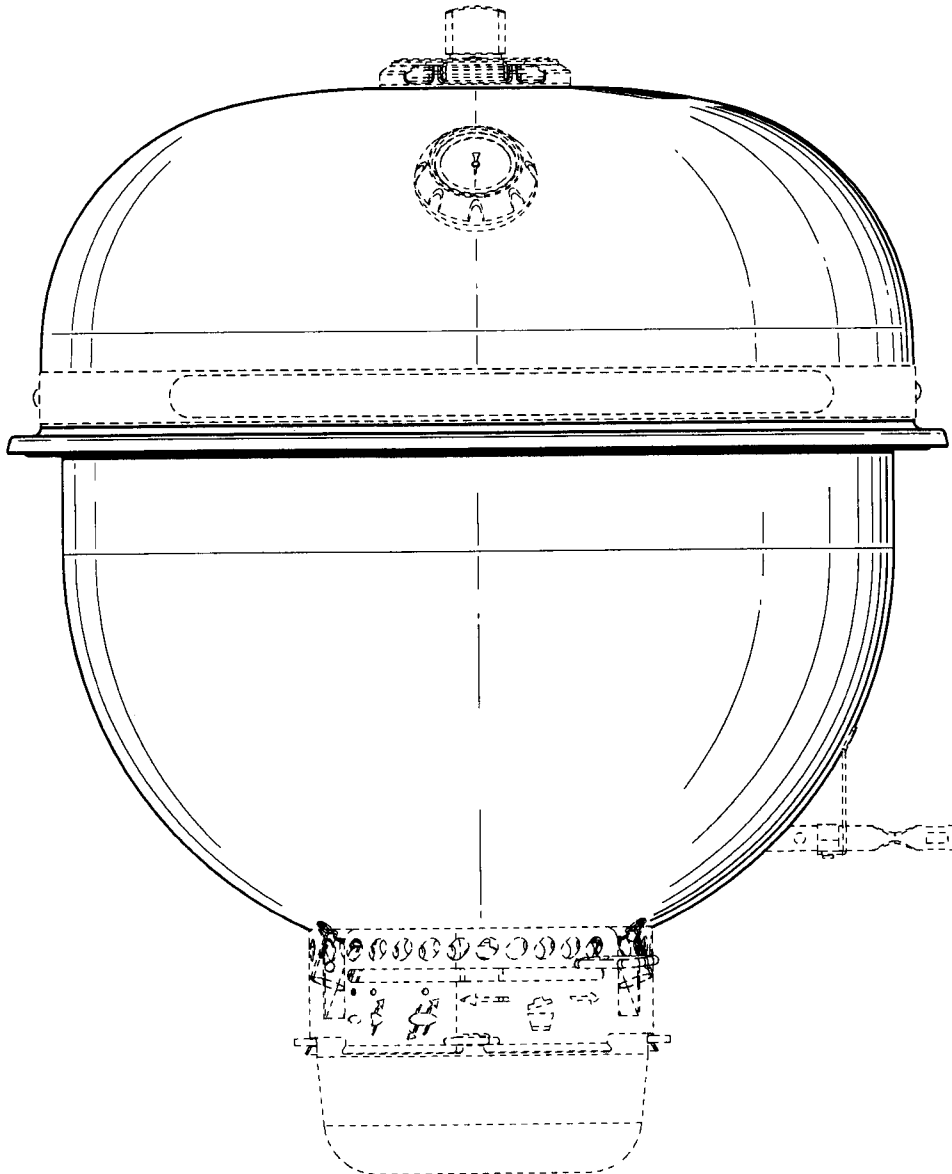


Fig. 4

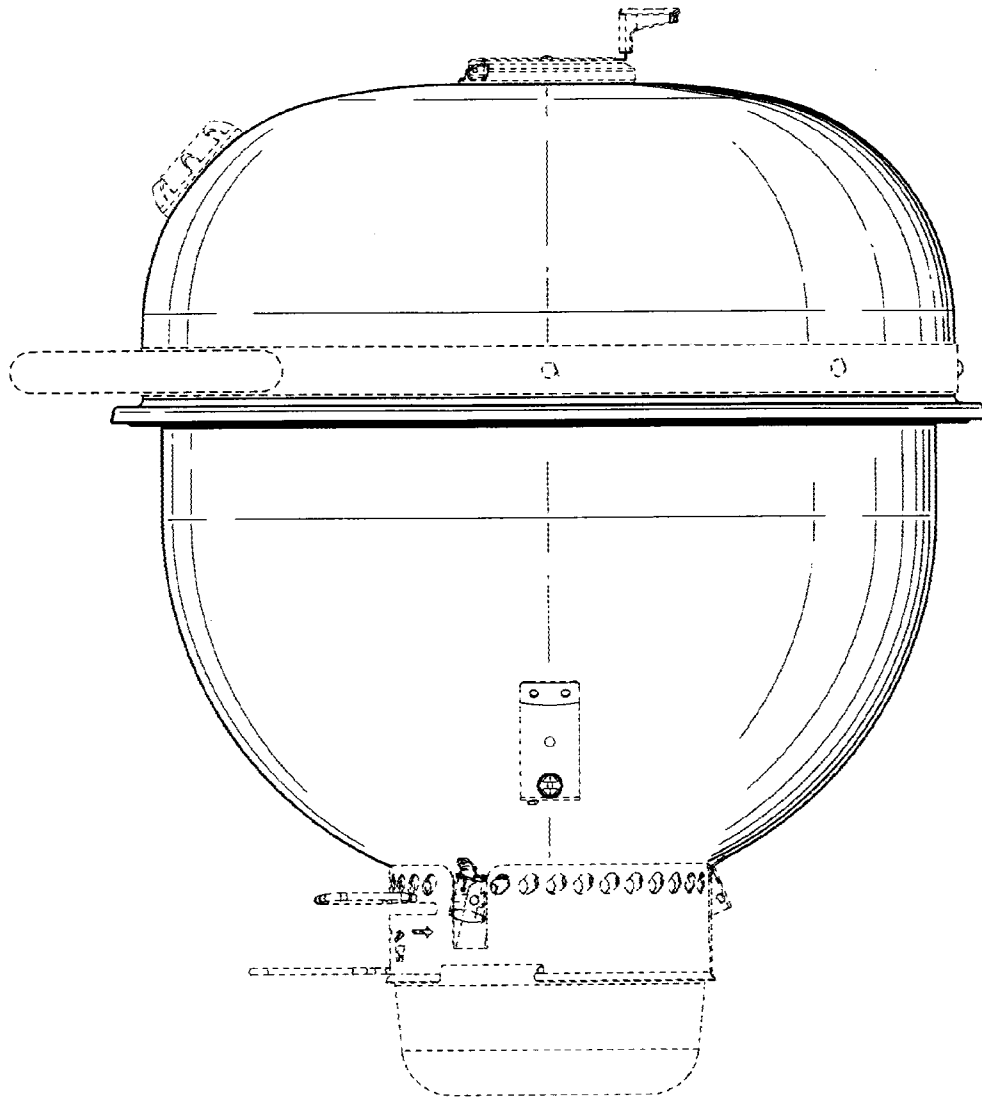


Fig. 5

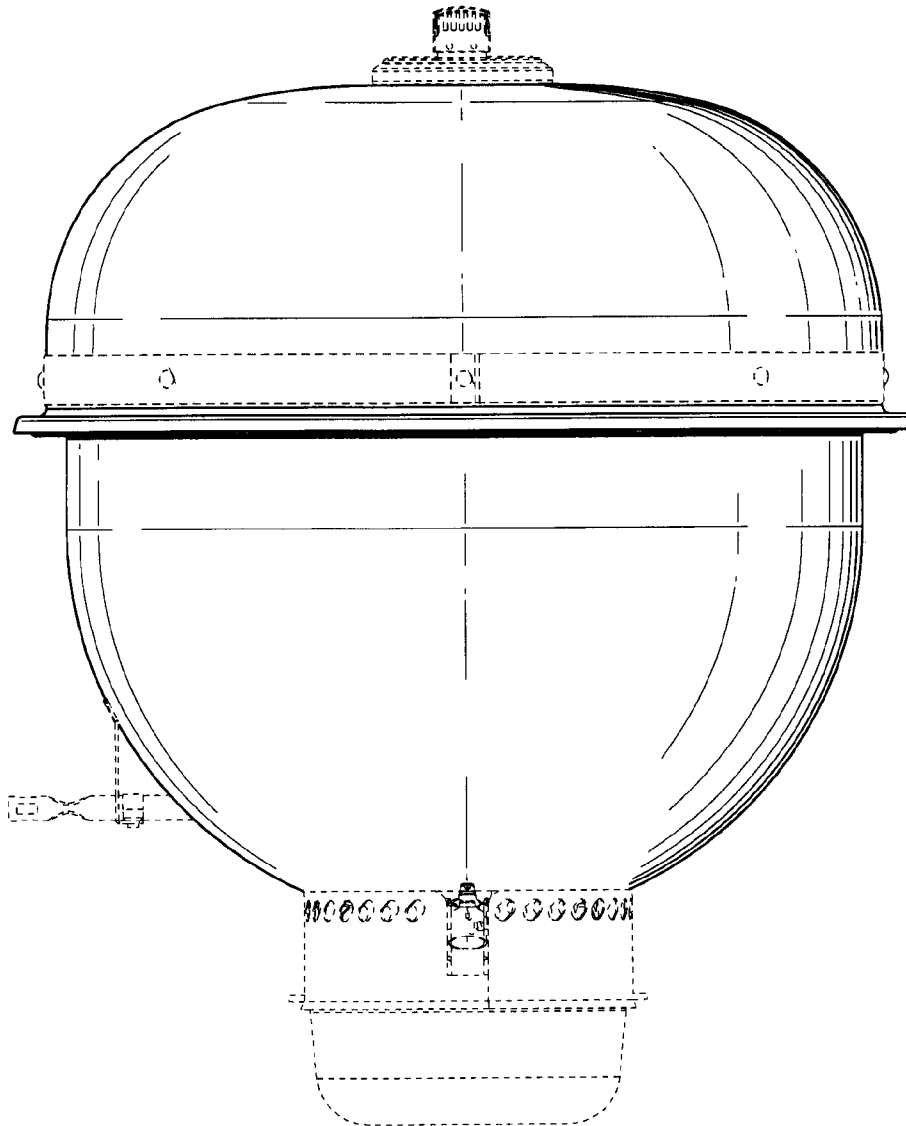


Fig. 6

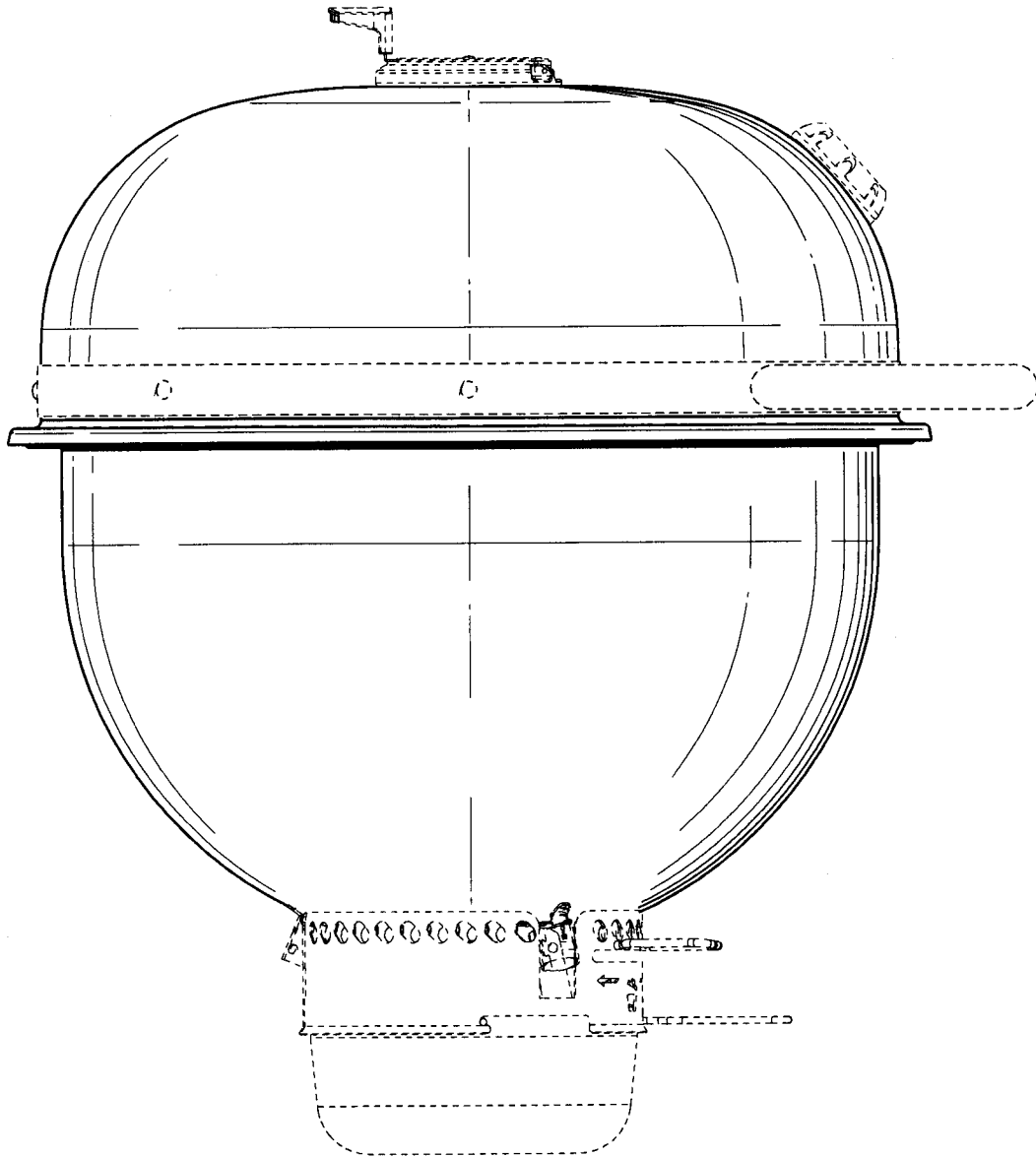


Fig. 7

