



US00D613152S

(12) **United States Design Patent**
Sullivan

(10) **Patent No.:** **US D613,152 S**

(45) **Date of Patent:** **** Apr. 6, 2010**

(54) **SAND TRACTION WHEEL**

(76) Inventor: **Grant R. Sullivan**, 8120 Longneedle Pl.,
Montgomery, AL (US) 36117

(**) Term: **14 Years**

(21) Appl. No.: **29/325,542**

(22) Filed: **Oct. 2, 2008**

(51) **LOC (9) Cl.** **08-05**

(52) **U.S. Cl.** **D8/375**

(58) **Field of Classification Search** D8/374-375;
D12/113; 16/45, 18 CG, 47
See application file for complete search history.

(56) **References Cited**

U.S. PATENT DOCUMENTS

D294,418 S *	2/1988	Salvesen et al.	D34/12
D316,699 S *	5/1991	Johnson	D12/113
D318,219 S *	7/1991	Guile	D8/375
D398,517 S *	9/1998	Lee	D8/375
D435,437 S *	12/2000	Guile	D8/375

* cited by examiner

Primary Examiner—Holly H Baynham

(74) *Attorney, Agent, or Firm*—Kenneth M. Bush; Bush
Intellectual Property Law

(57) **CLAIM**

I claim the ornamental design for a sand traction wheel, as
shown and described.

DESCRIPTION

FIG. 1 is a top perspective view of a sand traction wheel
showing my new design;

FIG. 2 is a left side elevational view thereof;

FIG. 3 is a right side elevational view thereof;

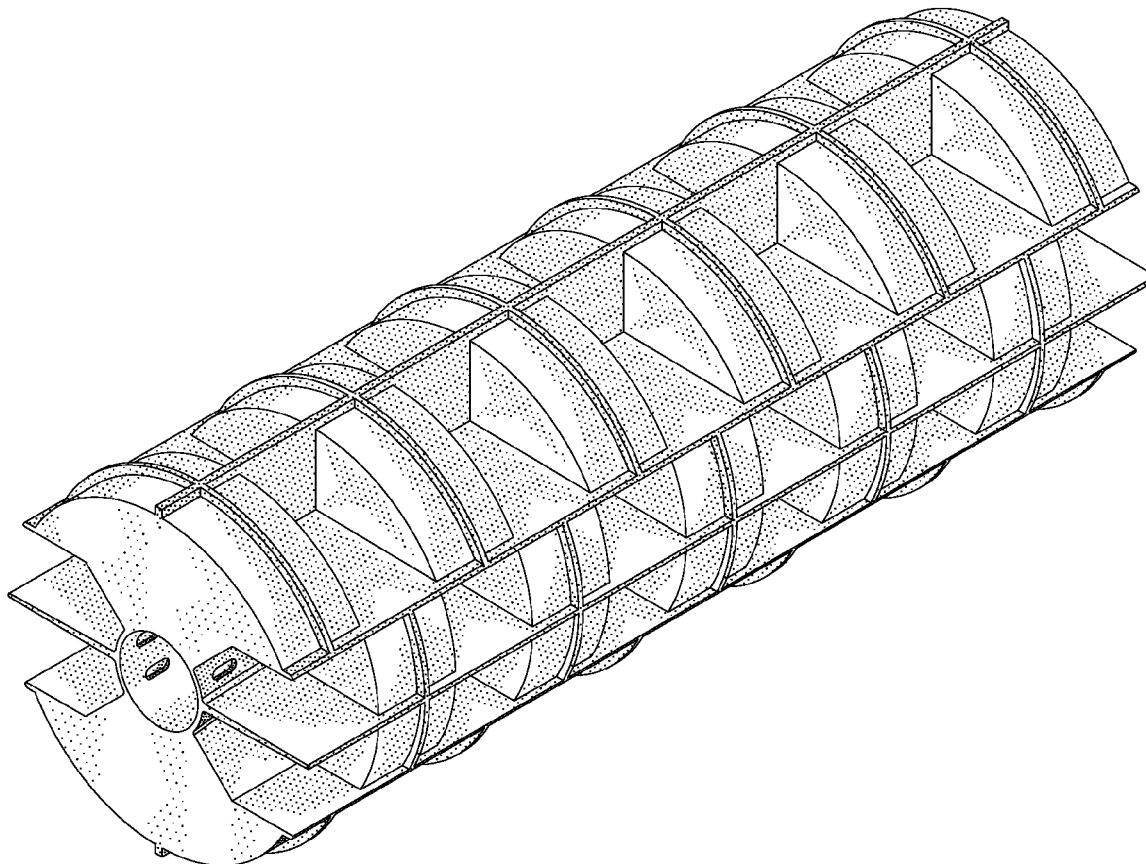
FIG. 4 is a top plan view thereof, the bottom plan view being
identical to the top plan view;

FIG. 5 is a front elevational view thereof, the rear elevational
view being identical to the front elevational view; and,

FIG. 6 is a top perspective view thereof showing the sand
traction wheel attached to the rear horizontal support pipe of
a beach chair. The broken lines are for illustrative purposes
only and form no part of the claimed design.

In the drawings, the stippling is for shading purposes only and
forms no part of the claimed design.

1 Claim, 5 Drawing Sheets



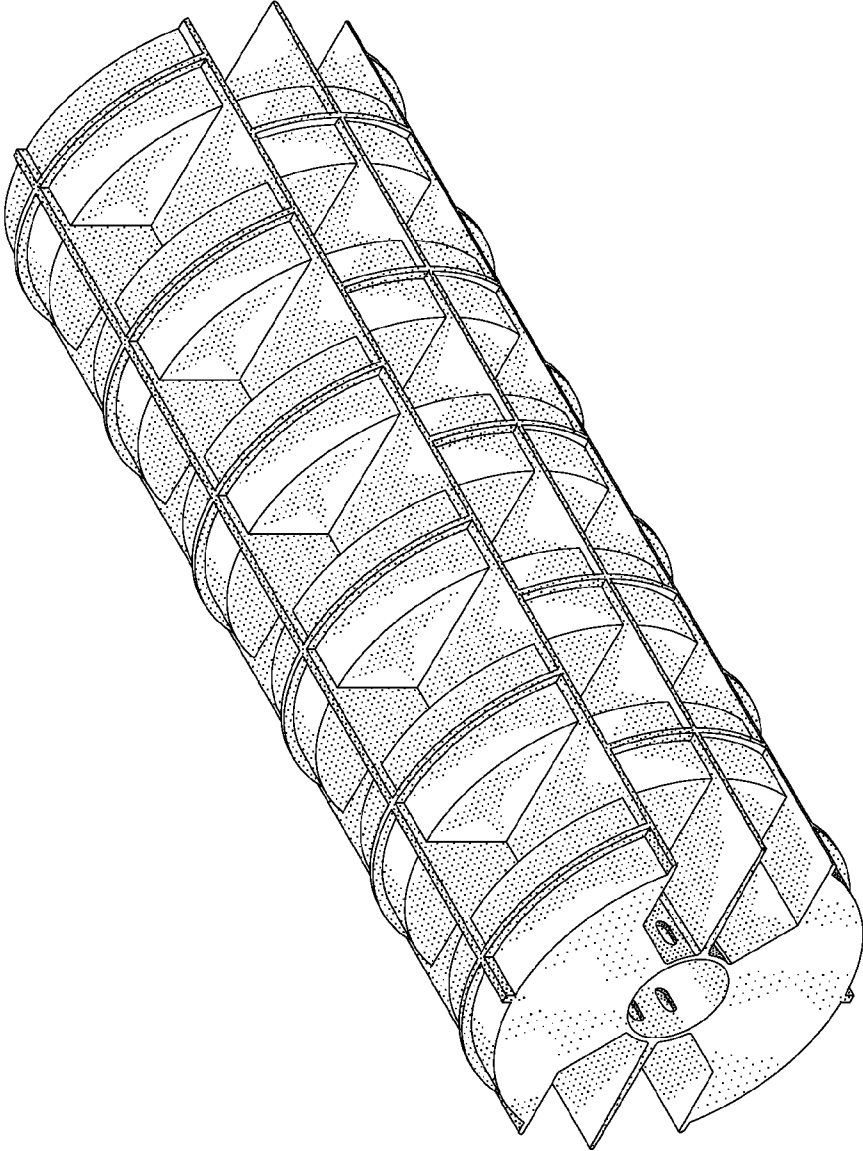


FIG. 1

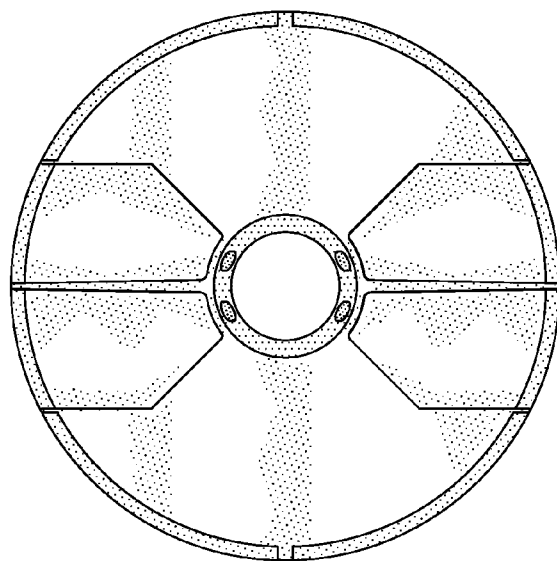


FIG. 2

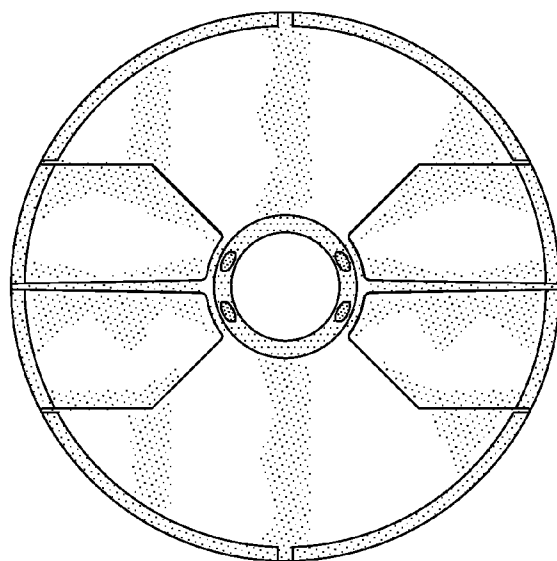


FIG. 3

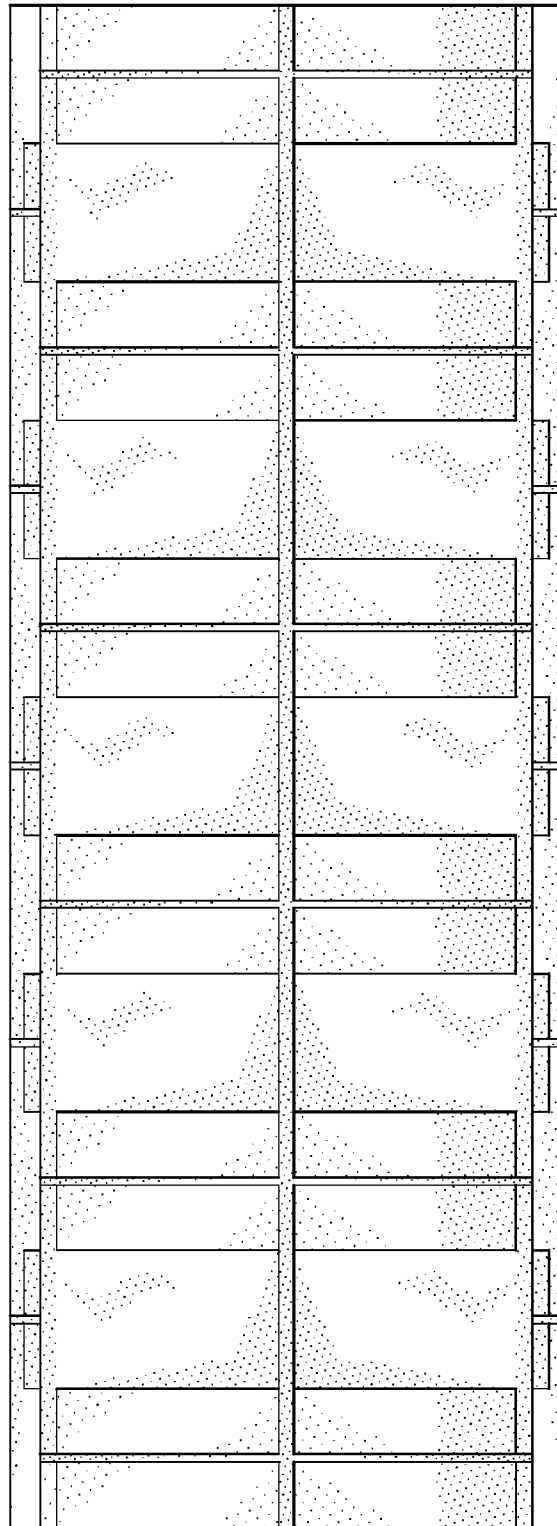


FIG. 4

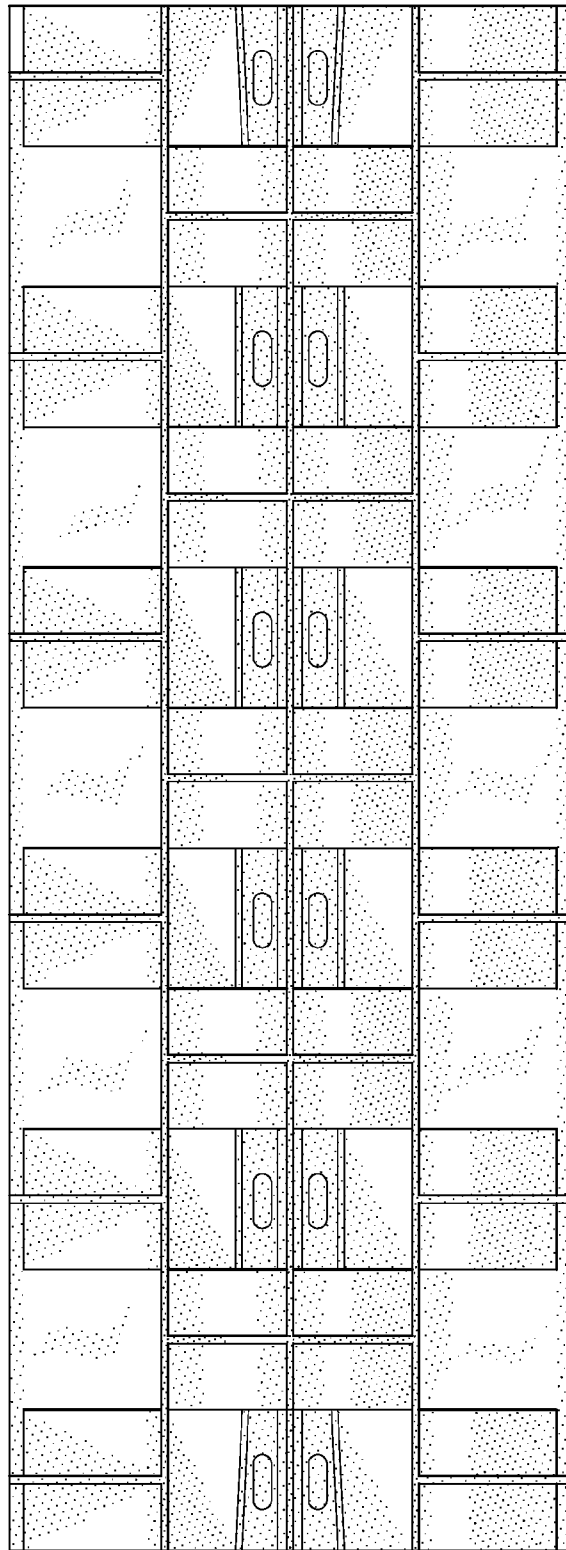


FIG. 5

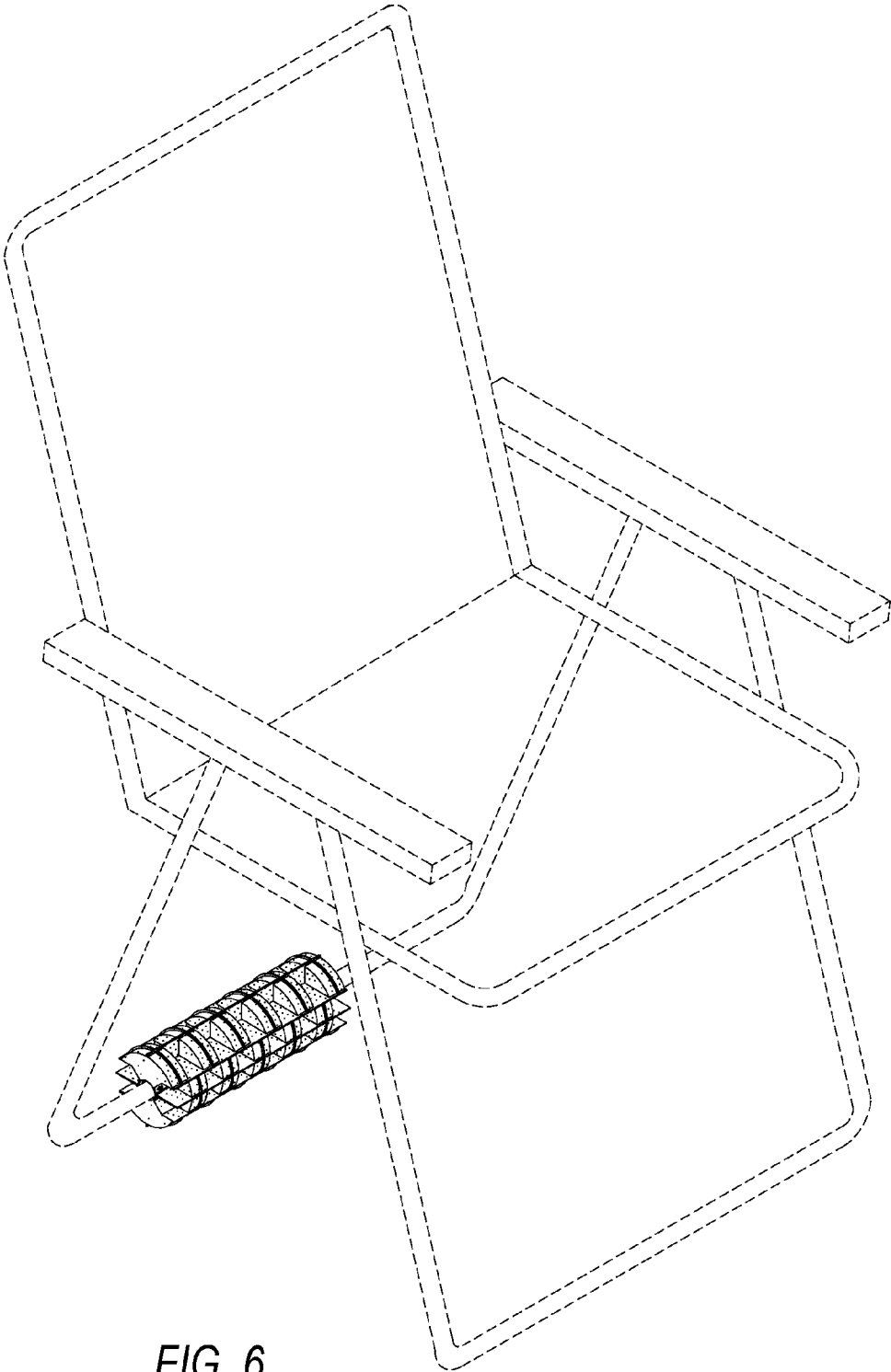


FIG. 6