

(19) World Intellectual Property Organization
International Bureau



(43) International Publication Date
9 October 2008 (09.10.2008)

PCT

(10) International Publication Number
WO 2008/121018 A3

(51) International Patent Classification:

A23K 1/00 (2006.01) A23K 1/16 (2006.01)
A23K 1/10 (2006.01) A23K 1/18 (2006.01)

(21) International Application Number:

PCT/RU2008/000150

(22) International Filing Date: 18 March 2008 (18.03.2008)

(25) Filing Language: English

(26) Publication Language: English

(30) Priority Data:

200700781 29 March 2007 (29.03.2007) EA

(71) Applicant (for all designated States except US): **OBSCHESTVO S OGRANICHENNOY OTVETSTVENNOSTJU "MARS"** [RU/RU]; Stupino-1, Moskovskaya obl., 142800 (RU).

(72) Inventors; and

(75) Inventors/Applicants (for US only): **PESKIN, Alexander Vladimirovich** [RU/RU]; Bolshaya Pochtovaya 1/33-259, Moscow, 105082 (RU). **OGNEVA, Elena Vladimirovna** [RU/RU]; Makeeva, 14-14, Kolomna, Moskovskaya obl., 140411 (RU).

(74) Agents: **SAPELNIKOV, Dmitry Alexeevich** et al.; Patent Attorneys Kvashnin, Sapelnikov and Partners, NIIR, ul. Kazakova, 16, Moscow, 105064 (RU).

(81) Designated States (unless otherwise indicated, for every kind of national protection available): AE, AG, AL, AM, AO, AT, AU, AZ, BA, BB, BG, BH, BR, BW, BY, BZ, CA, CH, CN, CO, CR, CU, CZ, DE, DK, DM, DO, DZ, EC, EE, EG, ES, FI, GB, GD, GE, GH, GM, GT, HN, HR, HU, ID, IL, IN, IS, JP, KE, KG, KM, KN, KP, KR, KZ, LA, LC, LK, LR, LS, LT, LU, LY, MA, MD, ME, MG, MK, MN, MW, MX, MY, MZ, NA, NG, NI, NO, NZ, OM, PG, PH, PL, PT, RO, RS, SC, SD, SE, SG, SK, SL, SM, SV, SY, TJ, TM, TN, TR, TT, TZ, UA, UG, US, UZ, VC, VN, ZA, ZM, ZW.

(84) Designated States (unless otherwise indicated, for every kind of regional protection available): ARIPO (BW, GH, GM, KE, LS, MW, MZ, NA, SD, SL, SZ, TZ, UG, ZM, ZW), Eurasian (AM, AZ, BY, KG, KZ, MD, RU, TJ, TM), European (AT, BE, BG, CH, CY, CZ, DE, DK, EE, ES, FI, FR, GB, GR, HR, HU, IE, IS, IT, LT, LU, LV, MC, MT, NL, NO, PL, PT, RO, SE, SI, SK, TR), OAPI (BF, BJ, CF, CG, CI, CM, GA, GN, GQ, GW, ML, MR, NE, SN, TD, TG).

Published:

- with international search report
- before the expiration of the time limit for amending the claims and to be republished in the event of receipt of amendments

(88) Date of publication of the international search report: 14 May 2009

(54) Title: FOOD PRODUCT SIMULATING PIECES OF NATURAL MEAT AND METHOD FOR PRODUCING SAME

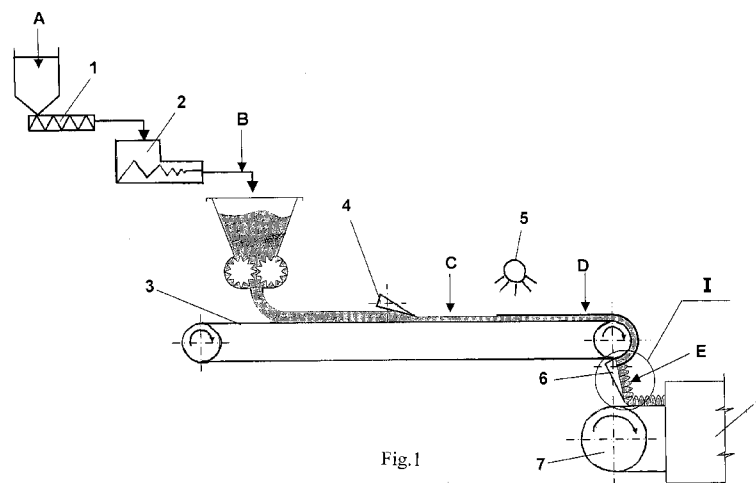


Fig. 1

(57) Abstract: The invention generally relates to the meat industry, specifically it relates to meat products which are firstly intended for pets, in particular for cats and dogs, or other domestic animals whose feeding diet includes natural meat and, more specifically the invention relates to a food product simulating natural meat chunks or pieces and a method for producing same. The disclosure of the invention provides for a food product having pieces simulating a piece of natural meat, wherein one of the surfaces of each piece has a distinctly defined structure similar to the striated muscle fibre structure of natural meat. The disclosure of the invention provides also a method for producing such food product.

WO 2008/121018 A3

INTERNATIONAL SEARCH REPORT

International application No
PCT/RU2008/000150

A. CLASSIFICATION OF SUBJECT MATTER
 INV. A23K1/00 A23K1/10 A23K1/16 A23K1/18

According to International Patent Classification (IPC) or to both national classification and IPC

B. FIELDS SEARCHED

Minimum documentation searched (classification system followed by classification symbols)
 A23K

Documentation searched other than minimum documentation to the extent that such documents are included in the fields searched

Electronic data base consulted during the international search (name of data base and, where practical, search terms used)
 EPO-Internal

C. DOCUMENTS CONSIDERED TO BE RELEVANT

Category*	Citation of document, with indication, where appropriate, of the relevant passages	Relevant to claim No.
X	US 3 883 672 A (BONE DAVID P ET AL) 13 May 1975 (1975-05-13) column 5, line 45 - line 62	1
X	GB 1 474 629 A (UNCLE BEN S AUSTRALIA PTY) 25 May 1977 (1977-05-25) the whole document	1
X	US 2005/031673 A1 (SAYLOCK MICHAEL J [US] ET AL) 10 February 2005 (2005-02-10) paragraphs [0022], [0065], [0084] - [0086], [0090] claims; example 3	1
X	WO 2004/023887 A (NESTEC LTD [CH]; SCHOPF ANDREAS [US]; RAYNER MICHAEL G [US]; RAYNER LU) 25 March 2004 (2004-03-25) the whole document	1

-/--

Further documents are listed in the continuation of Box C. See patent family annex.

* Special categories of cited documents :

A document defining the general state of the art which is not considered to be of particular relevance	*T* later document published after the international filing date or priority date and not in conflict with the application but cited to understand the principle or theory underlying the invention
E earlier document but published on or after the international filing date	*X* document of particular relevance; the claimed invention cannot be considered novel or cannot be considered to involve an inventive step when the document is taken alone
L document which may throw doubts on priority claim(s) or which is cited to establish the publication date of another citation or other special reason (as specified)	*Y* document of particular relevance; the claimed invention cannot be considered to involve an inventive step when the document is combined with one or more other such documents, such combination being obvious to a person skilled in the art.
O document referring to an oral disclosure, use, exhibition or other means	*Z* document member of the same patent family
P document published prior to the international filing date but later than the priority date claimed	

Date of the actual completion of the international search 17 March 2009	Date of mailing of the international search report 27/03/2009
Name and mailing address of the ISA/ European Patent Office, P.B. 5818 Patentlaan 2 NL - 2280 HV Rijswijk Tel. (+31-70) 340-2040. Fax: (+31-70) 340-3016	Authorized officer Popa, Marian

INTERNATIONAL SEARCH REPORT

International application No
PCT/RU2008/000150

C(Continuation). DOCUMENTS CONSIDERED TO BE RELEVANT

Category*	Citation of document, with indication, where appropriate, of the relevant passages	Relevant to claim No.
X	US 6 379 738 B1 (DINGMAN STEVE E [US] ET AL) 30 April 2002 (2002-04-30) paragraph [0004]	1
A	EP 1 736 062 A (NESTLE SA [CH]) 27 December 2006 (2006-12-27) the whole document	

INTERNATIONAL SEARCH REPORT

Information on patent family members

International application No

PCT/RU2008/000150

Patent document cited in search report		Publication date	Patent family member(s)	Publication date
US 3883672	A	13-05-1975	BE 824218 A1	09-07-1975
			CA 1030386 A1	02-05-1978
			DK 650474 A	13-12-1975
			FR 2274236 A1	09-01-1976
			GB 1442058 A	07-07-1976
			IT 1026283 B	20-09-1978
			LU 71628 A1	09-12-1975
			NL 7500236 A	16-12-1975
			SE 7500286 A	15-12-1975
			GB 1474629	A
BE 818574 A1	02-12-1974			
DE 2437721 A1	03-04-1975			
FR 2239954 A1	07-03-1975			
JP 50076251 A	21-06-1975			
LU 70681 A1	10-12-1974			
NL 7410637 A	11-02-1975			
SE 7410094 A	10-02-1975			
US 2005031673	A1	10-02-2005		
WO 2004023887	A	25-03-2004	AU 2003270173 A1	30-04-2004
			BR 0314213 A	12-07-2005
			CA 2498402 A1	25-03-2004
			CN 1688207 A	26-10-2005
			EP 1536692 A1	08-06-2005
			JP 4085088 B2	30-04-2008
			JP 2006511209 T	06-04-2006
			MX PA05002749 A	06-06-2005
			RU 2338390 C2	20-11-2008
			ZA 200502840 A	28-06-2006
			US 6379738	B1
AT 362327 T	15-06-2007			
AU 762722 B2	03-07-2003			
AU 1280001 A	30-05-2001			
BR 0015620 A	22-10-2002			
CA 2390866 A1	25-05-2001			
CN 1423529 A	11-06-2003			
CZ 20021957 A3	14-08-2002			
DE 60034895 T2	24-01-2008			
WO 0135766 A1	25-05-2001			
EP 1231846 A1	21-08-2002			
ES 2284538 T3	16-11-2007			
HK 1050460 A1	28-12-2007			
JP 2003513679 T	15-04-2003			
KR 20070110396 A	16-11-2007			
MX PA02004868 A	30-08-2002			
NO 20022332 A	26-06-2002			
NZ 519088 A	31-10-2003			
US 2002106442 A1	08-08-2002			
ZA 200204774 A	15-09-2003			
EP 1736062	A	27-12-2006	DE 20023862 U1	16-05-2007