

183,602

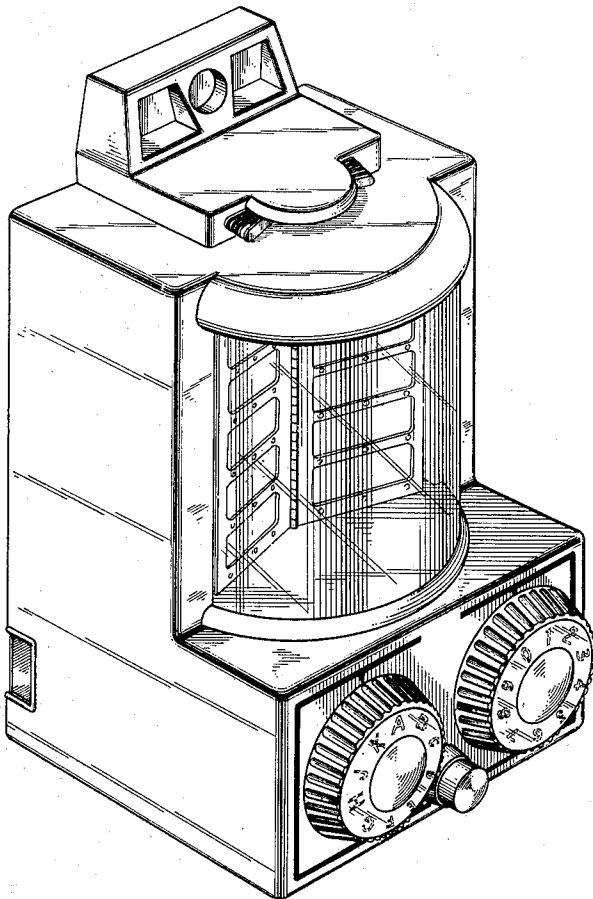
## PHONOGRAPH REMOTE CONTROL UNIT

Lyndon A. Durant, Chicago, Ill.

Application July 10, 1957, Serial No. 46,979

Term of patent 14 years

(Cl. D26—13)



The single figure of the drawing is a front perspective view of a phonograph remote control unit, showing my new design. The undisclosed side of the remote control unit is substantially the same in appearance as the side shown in the drawing.

The dominant features of the design are shown in full lines.

I claim:

The ornamental design for a phonograph remote control unit, as shown and described.

### References Cited in the file of this patent

#### UNITED STATES PATENTS

D. 152,121	Nimitz	Dec. 14, 1948
D. 153,425	Fuller	Apr. 19, 1949
D. 165,760	Jones	Jan. 29, 1952
2,167,061	Andres	July 25, 1939