



US00D870354S

(12) **United States Design Patent**
Arola

(10) **Patent No.:** **US D870,354 S**

(45) **Date of Patent:** **** Dec. 17, 2019**

(54) **LAMP**
(71) Applicant: **LIGHT INSIGHT, S.L.**, El Prat de Llobregat (ES)
(72) Inventor: **Antoni Arola**, Barcelona (ES)
(73) Assignee: **Light Insight, S.L.**, El Prat Llobregat (ES)
(**) Term: **15 Years**
(21) Appl. No.: **35/506,054**
(22) Filed: **Oct. 26, 2018**
(80) **Hague Agreement Data**
Int. Filing Date: **Oct. 26, 2018**
Int. Reg. No.: **DM/103552**
Int. Reg. Date: **Oct. 26, 2018**
Int. Reg. Pub. Date: **Nov. 16, 2018**

(30) **Foreign Application Priority Data**
Apr. 30, 2018 (EM) 005253283-0032
(51) **LOC (12) Cl.** **26-05**
(52) **U.S. Cl.**
USPC **D26/88**
(58) **Field of Classification Search**
USPC D26/72, 74, 76, 78-83, 85, 86, 88, 90, D26/93, 111, 113, 118, 119, 120, 121, D26/122, 138, 139, 140, 141, 142, 152
CPC F21S 2/00; F21S 4/00; F21S 4/003; F21S 4/005; F21S 4/006; F21S 4/007; F21S 4/008; F21S 6/00; F21S 8/00; F21S 8/024; F21S 8/026; F21S 8/031; F21S 8/033; F21S 8/035-037; F21S 8/04; F21S 8/043; F21S 8/063
See application file for complete search history.

(56) **References Cited**
U.S. PATENT DOCUMENTS
D360,496 S * 7/1995 Norman D13/118
D385,326 S * 10/1997 Ey D22/112

D576,340 S * 9/2008 Wanders D26/88
D606,701 S * 12/2009 Chandler D26/141
D615,693 S * 5/2010 Thun D26/88
D626,275 S * 10/2010 Sabernig D26/85
D638,884 S * 5/2011 Shoemaker, Jr. D21/386
D690,452 S * 9/2013 Payne D26/80
D721,453 S * 1/2015 Anastassiades D26/88
D751,235 S * 3/2016 Sonneman D26/88
D755,433 S * 5/2016 Sonneman D26/84
D775,757 S * 1/2017 Anastassiades D26/88
D794,241 S * 8/2017 Huyghe D26/80
D805,237 S * 12/2017 Amato D26/88
D809,704 S * 2/2018 Klus D26/142
D810,990 S * 2/2018 Sempe D26/88
D846,786 S * 4/2019 Tremaine D26/76
D851,068 S * 6/2019 Ulloa D14/217

(Continued)

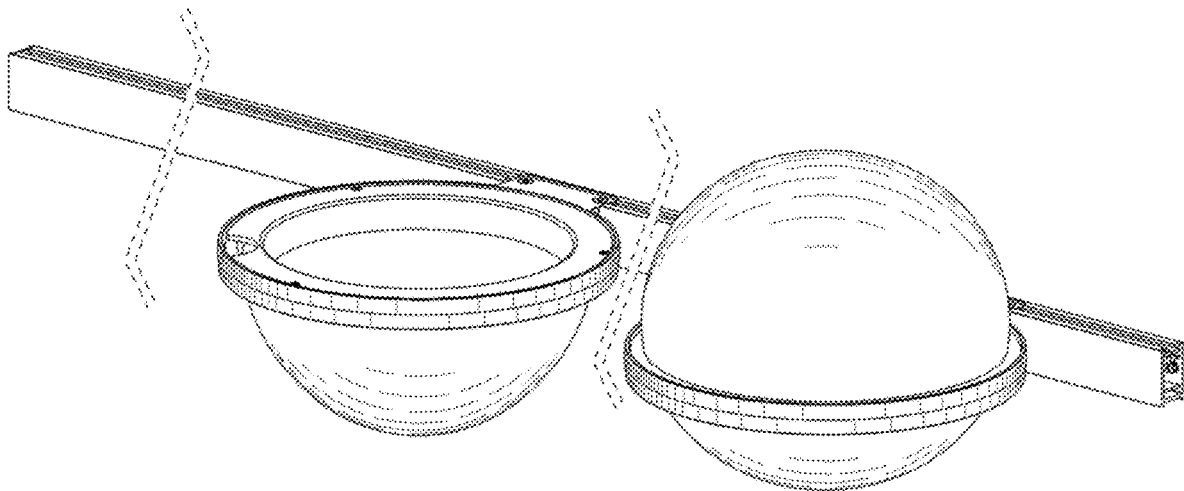
Primary Examiner — Natasha Vujcic
(74) *Attorney, Agent, or Firm* — McCormick, Paulding & Huber PLLC

(57) **CLAIM**
The ornamental design for a lamp, as shown and described.

DESCRIPTION

1. Lamp
1.1 : Perspective
1.2 : Front
1.3 : Back
1.4 : Top
1.5 : Bottom
1.6 : Left
1.7 : Right
The broken lines in the drawings illustrate portions of the lamp which forms no part of the claimed design.
The break lines in figures indicate that the appearance of any portion of the lamp between the break lines forms no part of the claimed design.

1 Claim, 7 Drawing Sheets



(56)

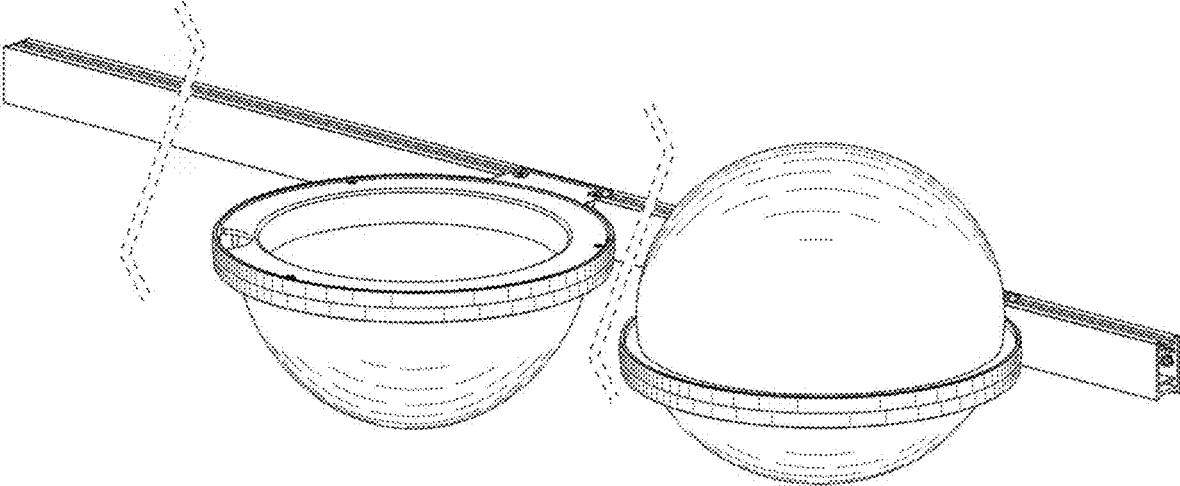
References Cited

U.S. PATENT DOCUMENTS

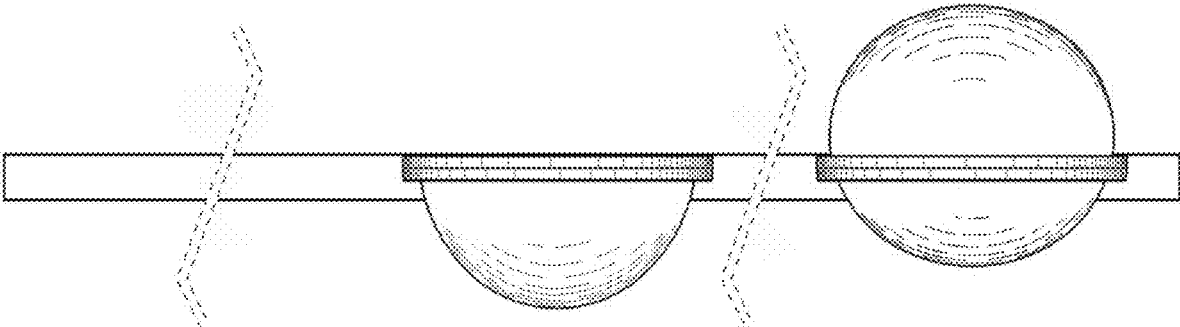
D854,677 S *	7/2019	Haggar	D23/377
2015/0338038 A1 *	11/2015	Feit	F21S 8/061
			362/147

* cited by examiner

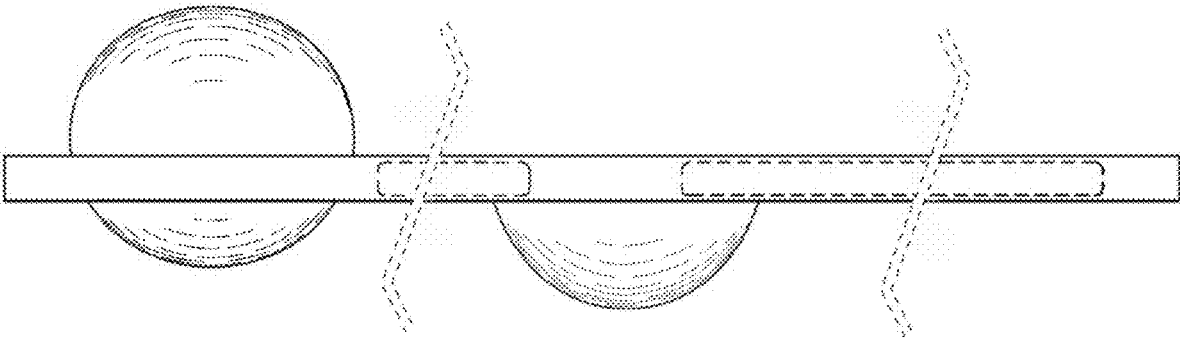
1.1



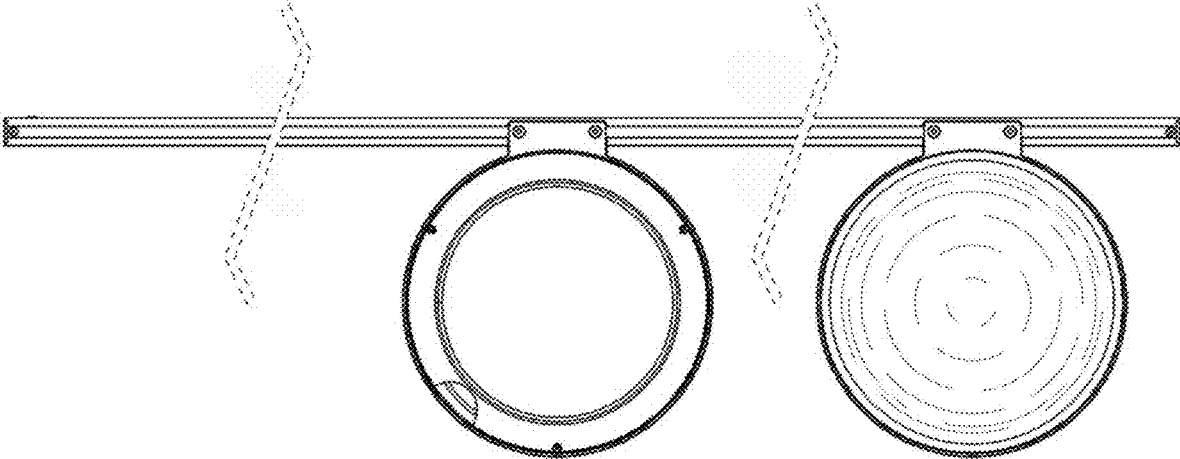
1.2



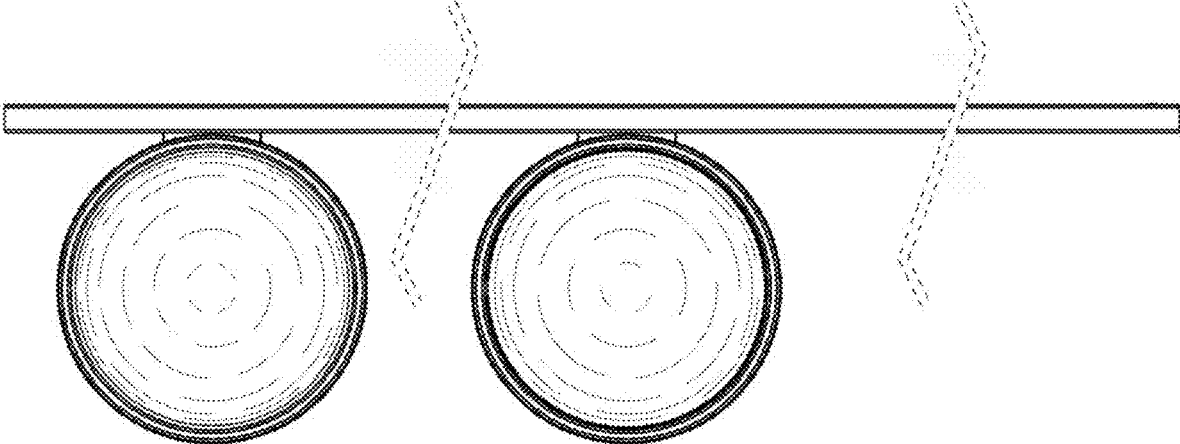
1.3



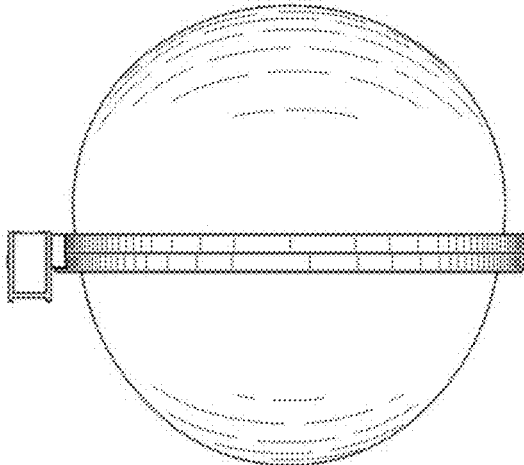
1.4



1.5



1.6



1.7

