



US0D1065490S

(12) **United States Design Patent**  
**Benacquisto et al.**

(10) **Patent No.:** **US D1,065,490 S**

(45) **Date of Patent:** **\*\* Mar. 4, 2025**

(54) **CEILING FAN**

(71) Applicant: **Hunter Fan Company**, Memphis, TN (US)

(72) Inventors: **Justin L. Benacquisto**, New Baltimore, MI (US); **Anthony M. De Leo**, Portage, MI (US)

(73) Assignee: **Hunter Fan Company**, Memphis, TN (US)

(\*\*) Term: **15 Years**

(21) Appl. No.: **29/855,231**

(22) Filed: **Sep. 30, 2022**

(51) **LOC (15) Cl.** ..... **23-04**

(52) **U.S. Cl.**  
USPC ..... **D23/377**

(58) **Field of Classification Search**  
USPC ..... D23/370, 377, 379, 385, 411, 413;  
D26/59, 72, 81  
CPC ..... F04D 25/088; F04D 29/38; F04D 29/384;  
F04D 29/386; F21V 33/0096  
See application file for complete search history.

D778,422 S 2/2017 Gajewski  
D779,052 S 2/2017 Gajewski  
D779,093 S 2/2017 Gajewski  
D788,283 S 5/2017 Busta

(Continued)

**FOREIGN PATENT DOCUMENTS**

WO DM095319 9/2017

**OTHER PUBLICATIONS**

Hunter Fan 44 Inch Commerce Outdoor Ceiling Fan, available at [https://www.hunterfan.com/collections/ceiling-fans/products/ceiling-fans-44-inch-commerce-outdoor-fan734c?nosto\\_source=cmp&nosto=62fe56a1ecc22c0548f15143](https://www.hunterfan.com/collections/ceiling-fans/products/ceiling-fans-44-inch-commerce-outdoor-fan734c?nosto_source=cmp&nosto=62fe56a1ecc22c0548f15143), accessed Aug. 24, 2022, 12 pages.

(Continued)

*Primary Examiner* — Janice Hallmark  
*Assistant Examiner* — Adedoyin Taiwo Odeyale  
(74) *Attorney, Agent, or Firm* — McGarry Bair PC

(57) **CLAIM**

The ornamental design for a ceiling fan as shown and described.

**DESCRIPTION**

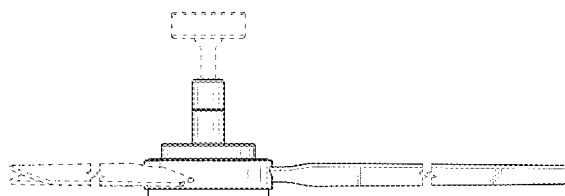
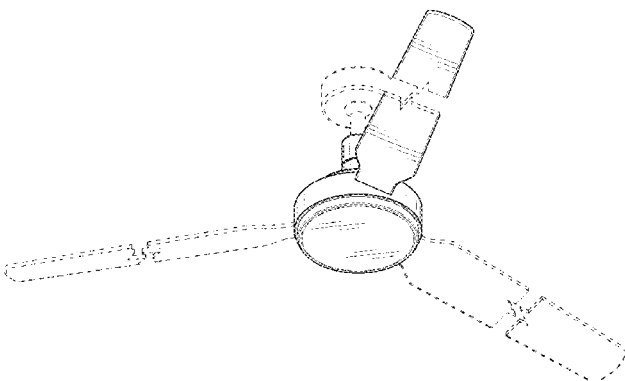
FIG. 1 is a top perspective view of a ceiling fan, showing our new design.  
FIG. 2 is a bottom perspective view of the ceiling fan.  
FIG. 3 is a top view of the ceiling fan.  
FIG. 4 is a bottom view of the ceiling fan.  
FIG. 5 is a front view of the ceiling fan.  
FIG. 6 is a rear view of the ceiling fan.  
FIG. 7 is a right-side view of the ceiling fan; and,  
FIG. 8 is a left-side view of the ceiling fan.  
Portions of the ceiling fan shown in broken lines form no part of the claimed design. Jagged broken lines on the ceiling fan illustrate a symbolic break in length and form no part of the claimed design.

**1 Claim, 8 Drawing Sheets**

(56) **References Cited**

**U.S. PATENT DOCUMENTS**

D298,052 S	10/1988	Sonneman	
D324,924 S	3/1992	Bengochea	
D451,189 S	11/2001	Liu	
D515,695 S	2/2006	Badarello	
D596,336 S *	7/2009	Sabernig	D26/88
D596,734 S *	7/2009	Kihara	D23/377
D599,947 S *	9/2009	Sabernig	D26/88
D627,053 S	11/2010	Pan	
D704,819 S	5/2014	Wang	
D715,917 S	10/2014	Hidalgo	
D726,299 S	4/2015	Schulzman	
D744,634 S	12/2015	Wang	
D751,187 S	3/2016	Dolan	
D761,949 S	7/2016	Badarello	
D773,634 S	12/2016	Wang	



(56)

References Cited

U.S. PATENT DOCUMENTS

D788,286 S	5/2017	Busta	
D792,577 S	7/2017	Gajewski	
D795,412 S	8/2017	Schulzman	
D796,659 S *	9/2017	Schulzman	D23/377
D802,114 S	11/2017	Busta	
D804,646 S	12/2017	Schulzman	
D804,648 S	12/2017	McRoberts	
D806,226 S	12/2017	Gajewski	
D808,513 S	1/2018	Gajewski	
D811,578 S	2/2018	Badarello	
D814,622 S	4/2018	Gajewski	
D825,736 S	8/2018	Badarello	
D831,187 S	10/2018	Schulzman	
D835,250 S	12/2018	Baek et al.	
D844,770 S	4/2019	Schulzman	
D844,771 S	4/2019	Badarello	
D844,772 S	4/2019	Badarello	
D850,602 S *	6/2019	Flores	D26/59
D859,632 S	9/2019	Yang	
D861,152 S	9/2019	Orozco	
D873,987 S *	1/2020	Biancuzzo	D23/377
D902,377 S	11/2020	Norwood et al.	
D909,561 S	2/2021	Badarello	
D909,562 S	2/2021	Badarello	
D970,713 S *	11/2022	McRoberts	D23/377
D991,435 S *	7/2023	McRoberts	D23/411
D1,001,262 S *	10/2023	Jones	D23/377
D1,015,517 S *	2/2024	Pan	D23/370

OTHER PUBLICATIONS

Craftmade Limerick—LIM60AGB 60" Ceiling Fan, available at <https://www.craftmade.com/limerick-lim60agv>, accessed Aug. 24, 2022, 2 pages.

Hunter Trimaran Outdoor 52 Inch Ceiling Fan, available at <https://www.hunterfan.com/collections/ceiling-fans/products/ceiling-fans-trimaran-outdoor-52-inch-famc82?variant=31652397482116>, accessed Aug. 24, 2022, 20 pages.

Hunter Mercado with LED Light 50 Inch Ceiling Fan, available at <https://www.hunterfan.com/collections/ceiling-fans/products/ceiling-fans-mercado-with-led-light-50-inch-fam989?variant=34328079532164>, accessed Aug. 24, 2022, 13 pages.

Casablanca Bullet with LED Light 54 Inch Ceiling Fan, available at <https://www.hunterfan.com/collections/casablanca-ceiling-fans/>

[products/ceiling-fans-casablanca-bullet-with-led-light-54-inch-fam868?nosto\\_source=c%E2%80%A6](https://www.hunterfan.com/collections/ceiling-fans/products/ceiling-fans-casablanca-bullet-with-led-light-54-inch-fam868?nosto_source=c%E2%80%A6), accessed Aug. 24, 2022, 13 pages.

Craftmade Nicolas—NIC56ESP5—56" Ceiling Fan with Blades and Integrated Light Kit, available at <https://www.craftmade.com/catalog/product/view/id/9564/s/nicolas-nic56xxx5/category/3/>, accessed Aug. 24, 2022, 2 pages.

Minka-Aire F524-CL Roto—52" Ceiling Fan, available at <https://www.minkagroup.net/f524-abd.html>, accessed Aug. 24, 2022, 10 pages.

Monte Carlo Jovie 52 Aged Pewter Ceiling Fan, available at <http://www.montecarlofans.com/63389/Jovie-52-Aged-Pewter-3JOVR52AGP.html>, accessed Aug. 24, 2022, 2 pages.

Hunter Fan Presto 52 Inch Ceiling Fan, available at [https://www.hunterfan.com/collections/ceiling-fans/products/ceiling-fans-presto-52-inch-famd78?nosto\\_source=cmp&nosto=62fe56a1eec22c0548f15%E2%80%A6](https://www.hunterfan.com/collections/ceiling-fans/products/ceiling-fans-presto-52-inch-famd78?nosto_source=cmp&nosto=62fe56a1eec22c0548f15%E2%80%A6), accessed Aug. 24, 2022, 19 pages.

Minka-Aire F745-BN Sabot—LED 52" Ceiling Fan, available at <https://www.minkagroup.net/f745-bn.html>, accessed Aug. 24, 2022, 10 pages.

Hunter Fan Kennicott Outdoor 44 Inch Ceiling Fan, available at <https://www.hunterfan.com/collections/ceiling-fans/products/ceiling-fans-kennicott-outdoor-44-inch-famc43?variant=31317913436292>, accessed Aug. 24, 2022, 19 pages.

Fanimation Amped Ceiling Fan, available at <https://fanimation.com/products/fans/indoor/amped/>, accessed Aug. 23, 2022, 6 pages.

Harbor Breeze Camden 52 Inch Matte Black Indoor Ceiling Fan with Light Remote, available at <https://www.lowes.com/pd/Harbor-Breeze-Flanagan-52-in-Matte-Black-Ceiling-Fan-with-Remote-5-Blade/5003466495>, accessed Aug. 23, 2022, 5 pages.

Hunter Pacific International Revolution 3 Ceiling Fan, available at <https://www.hunterpacificinternational.com/revolution-3>, Accessed Aug. 23, 2022, 2 pages.

Craftmade Ricasso—RIC60SB4 60" Ceiling Fan, available at <https://www.craftmade.com/catalog/product/view/id/9589/s/ricasso-ric60sb4/>, accessed Aug. 23, 2022, 2 pages.

Big Ass Fans Haiku L 52", Cocoa/Black Indoor Ceiling Fan, Integrated LED Light, available at [https://store.bigassfans.com/en\\_us/haiku-l-in-cocoa-black](https://store.bigassfans.com/en_us/haiku-l-in-cocoa-black), accessed Aug. 23, 2022, 3 pages.

Hampton Bay Fanelee 54 Inch White Color Changing Integrated LED Brushed Nickel Smart Hubspace Ceiling Fan with Light Kit and Remote, available at <https://www.homedepot.com/p/Hampton-Bay-Fanelee-54-in-White-Color-Changing-Integrated-LED-Brushed-Nickel-Smart-Hubspace-Ceiling-Fan-wit%E2%80%A6>, accessed Aug. 22, 2022, 20 pages.

\* cited by examiner

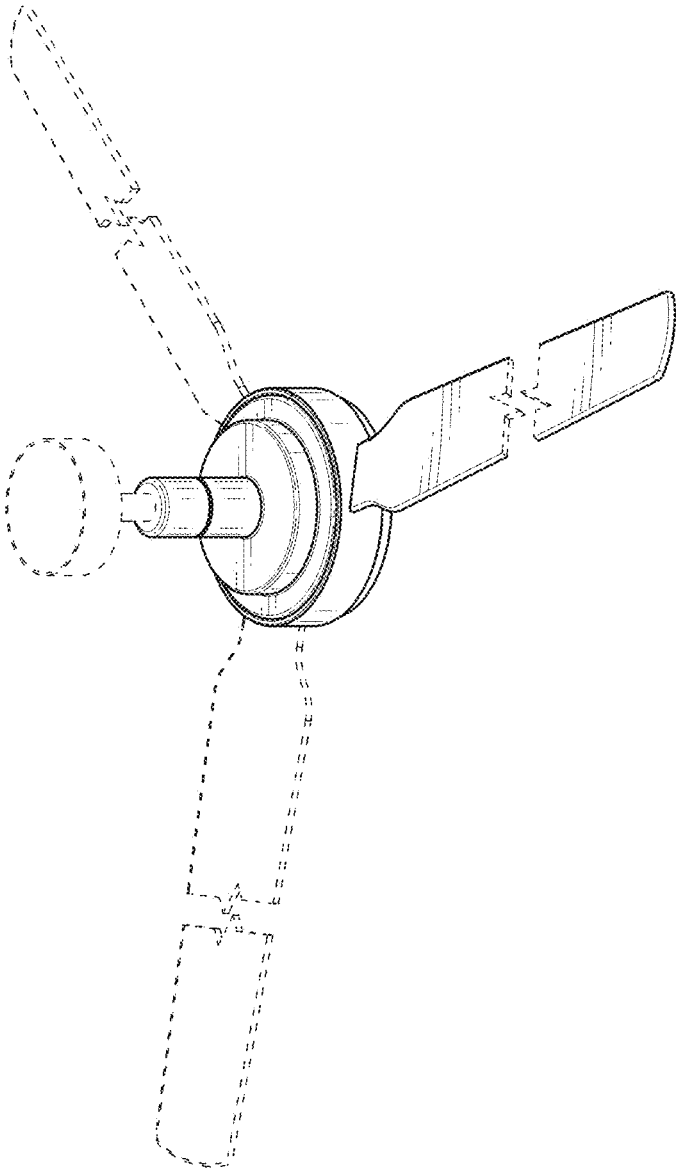


FIG. 1

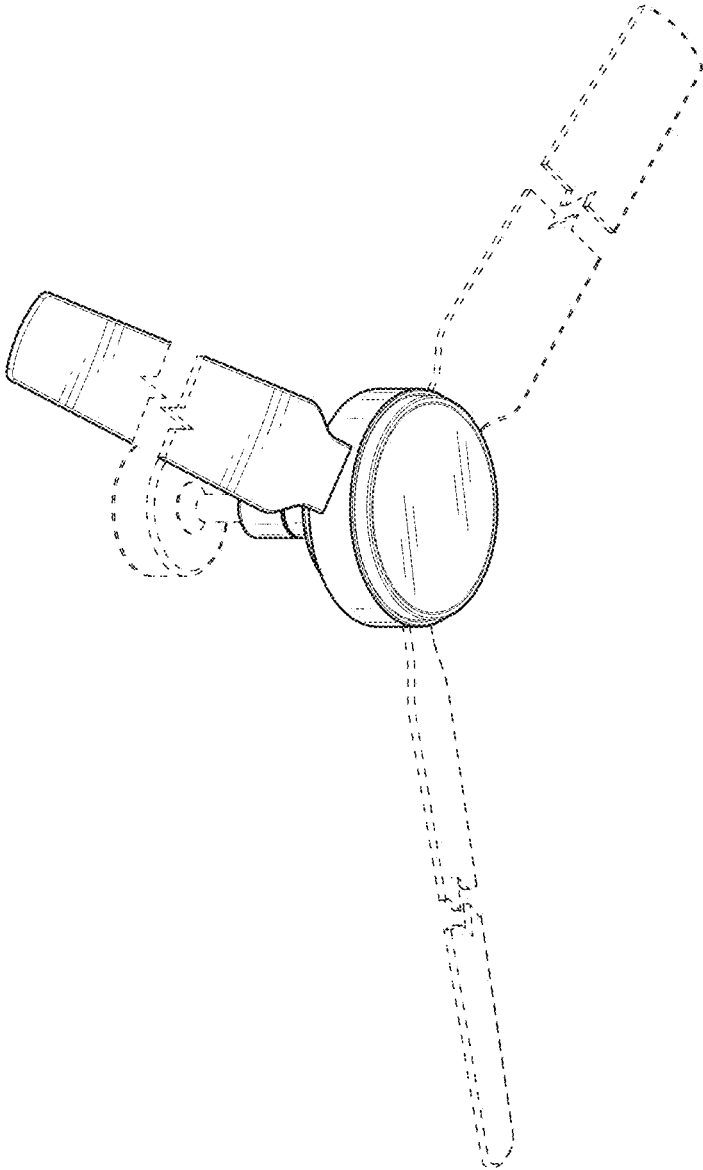


FIG. 2

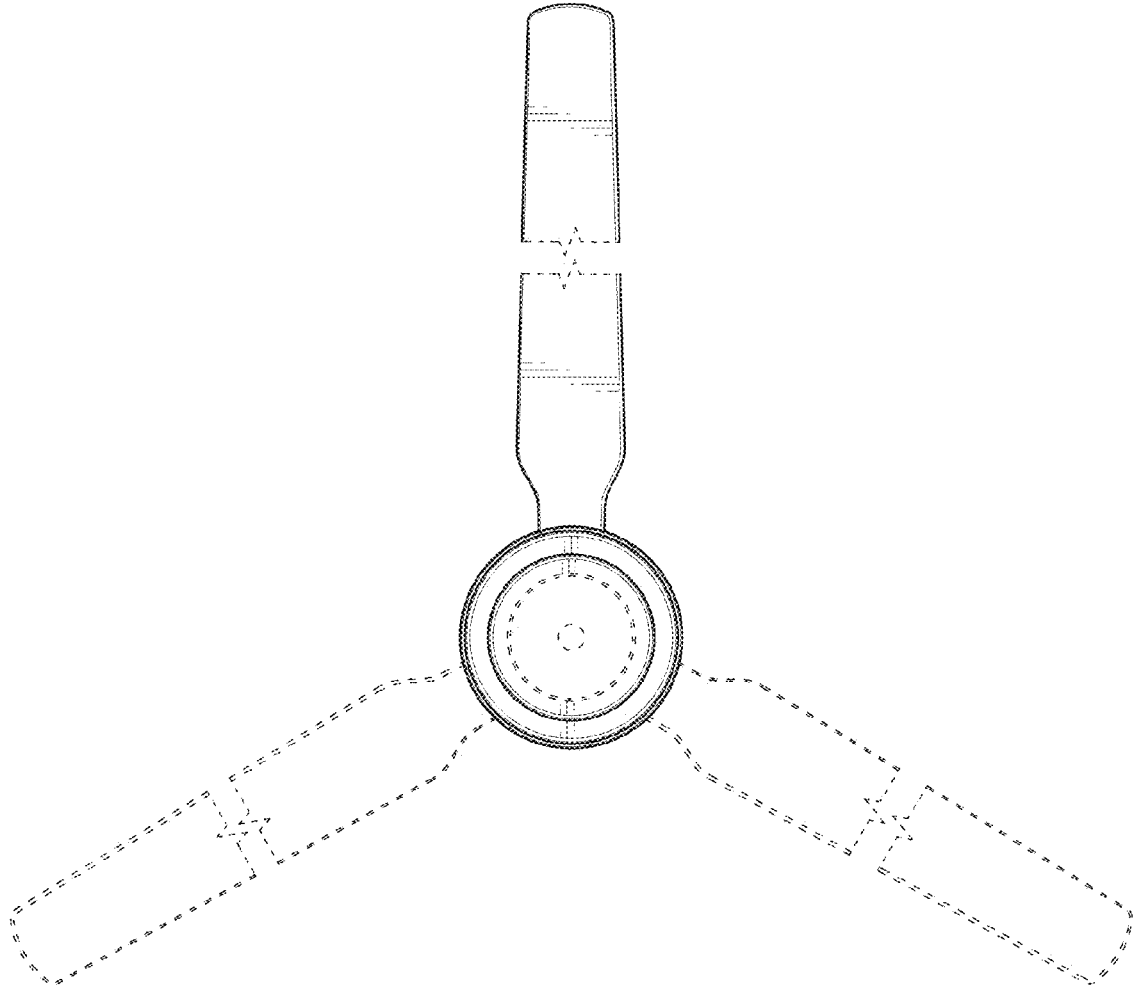


FIG. 3

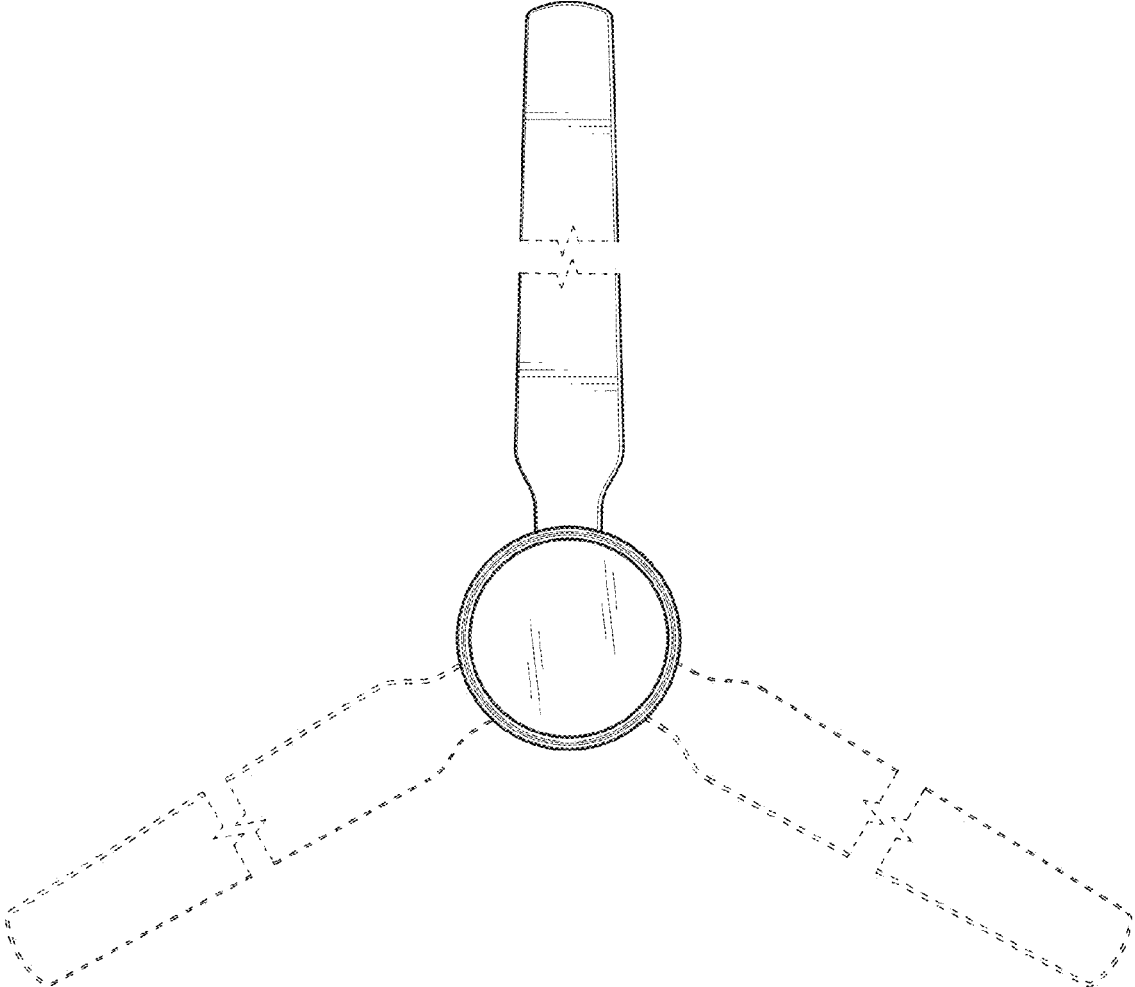


FIG. 4

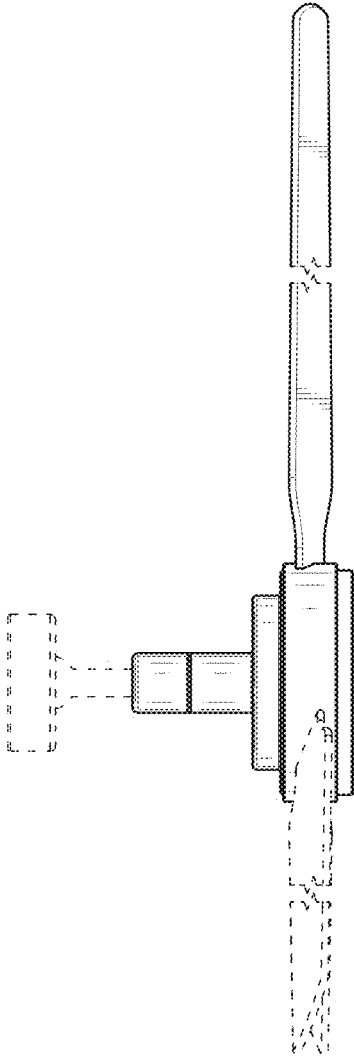


FIG. 5

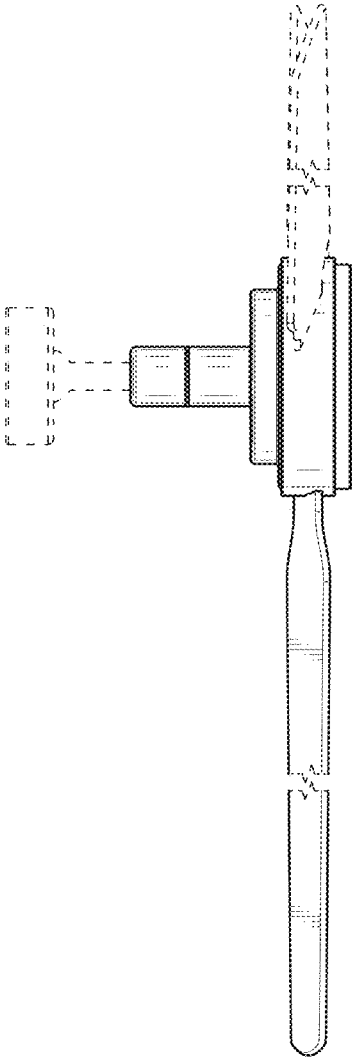


FIG. 6

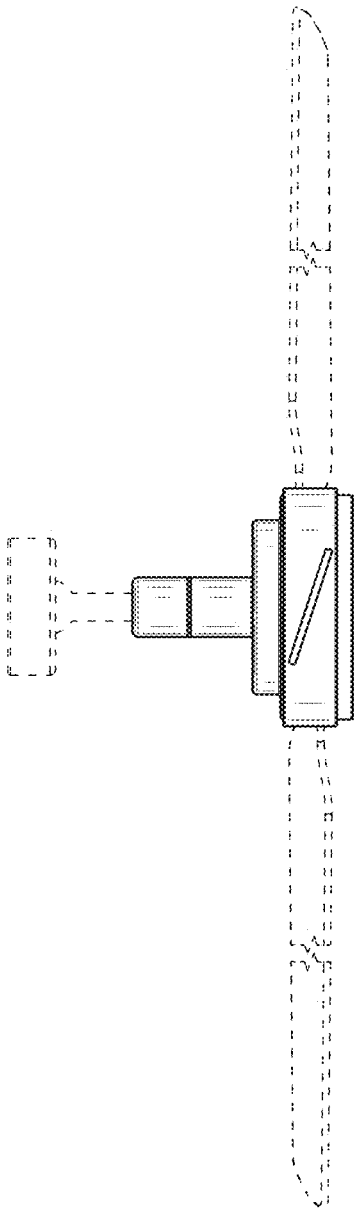


FIG. 7

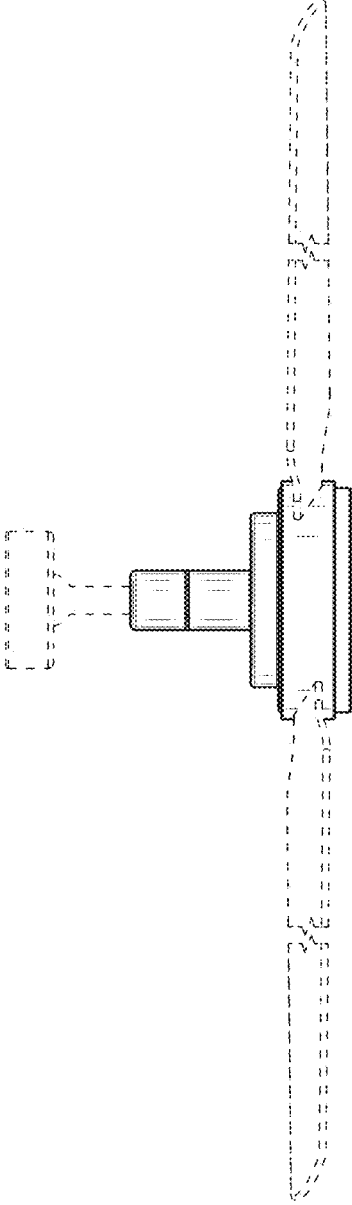


FIG. 8