



US00D613220S

(12) **United States Design Patent**
Ikeda et al.

(10) **Patent No.:** **US D613,220 S**

(45) **Date of Patent:** **** Apr. 6, 2010**

(54) **PAIR OF VEHICLE BODY TRIM PIECES**

(75) Inventors: **Jiro Ikeda**, Manhattan Beach, CA (US);
Roger Brown, Corona, CA (US)

(73) Assignee: **Honda Motor Co., Ltd.**, Tokyo (JP)

(**) Term: **14 Years**

(21) Appl. No.: **29/298,831**

(22) Filed: **Dec. 13, 2007**

(51) **LOC (9) Cl.** **12-08**

(52) **U.S. Cl.** **D12/190**

(58) **Field of Classification Search** D12/190,
D12/181, 400, 90, 91, 92, 114, 199, 196,
D12/197, 86, 171, 172, 173, 169, 163; D11/211,
D11/81, 157, 133, 172; 293/102, 115, 1.07-1.08;
D20/11, 23, 24, 25; 40/760, 591-594; 428/98-99,
428/31

See application file for complete search history.

(56) **References Cited**

U.S. PATENT DOCUMENTS

- D160,548 S * 10/1950 Sheard D12/190
- D176,259 S * 12/1955 Holls D12/190
- D183,103 S * 6/1958 McKichan D12/190
- 3,659,987 A * 5/1972 Mixell et al. 425/97
- 5,063,014 A * 11/1991 Cakmakci 264/151

- 5,267,763 A * 12/1993 Klein 293/128
- D447,983 S * 9/2001 Stoddard et al. D12/91
- 6,318,045 B1 * 11/2001 Kress 52/716.6
- D484,080 S * 12/2003 Yamamoto et al. D12/190

* cited by examiner

Primary Examiner—Caron Veynar

Assistant Examiner—Katrina A Kile

(74) *Attorney, Agent, or Firm*—Plumsea Law Group, LLC;
Mark E. Duell

(57) **CLAIM**

The ornamental design for a pair of vehicle body trim pieces,
as shown and described.

DESCRIPTION

FIG. 1 is an elevational view of a left side body trim piece
showing a first embodiment of our new design;

FIG. 2 is a front perspective view thereof;

FIG. 3 is a rear perspective view thereof;

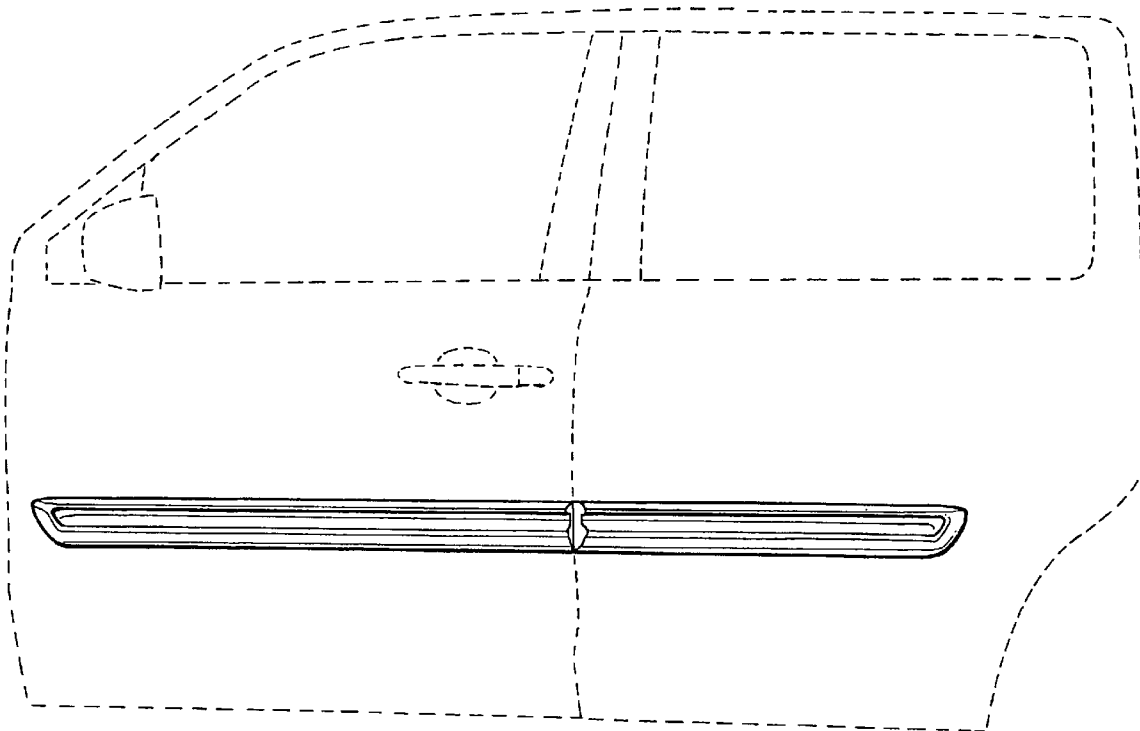
FIG. 4 is an elevational view of a right side body trim piece
showing a second embodiment of our new design;

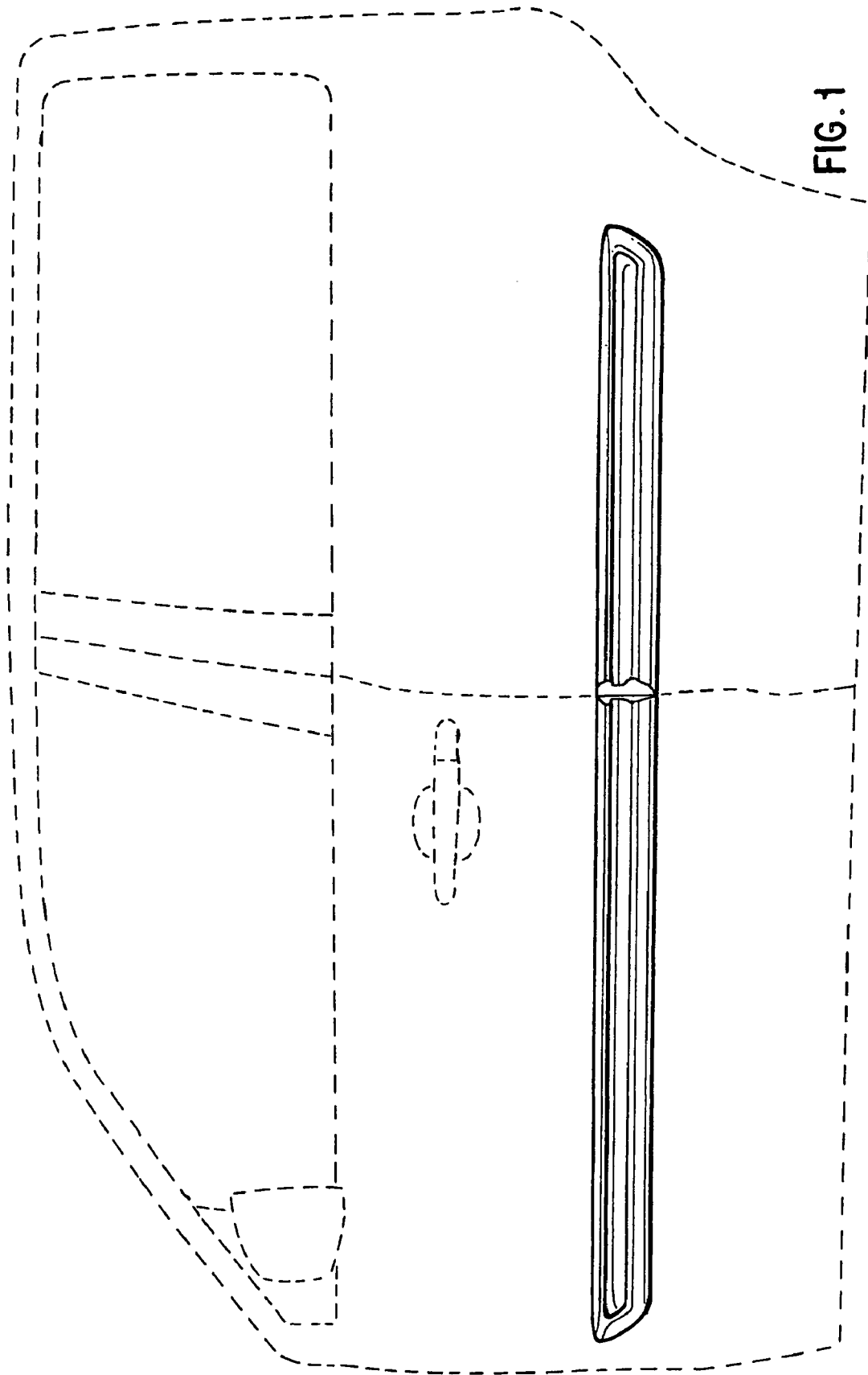
FIG. 5 is a front perspective view thereof; and,

FIG. 6 is a rear perspective view thereof.

In FIGS. 1 and 4, the broken lines show portions of an auto-
mobile and form no part of the claimed design.

1 Claim, 6 Drawing Sheets





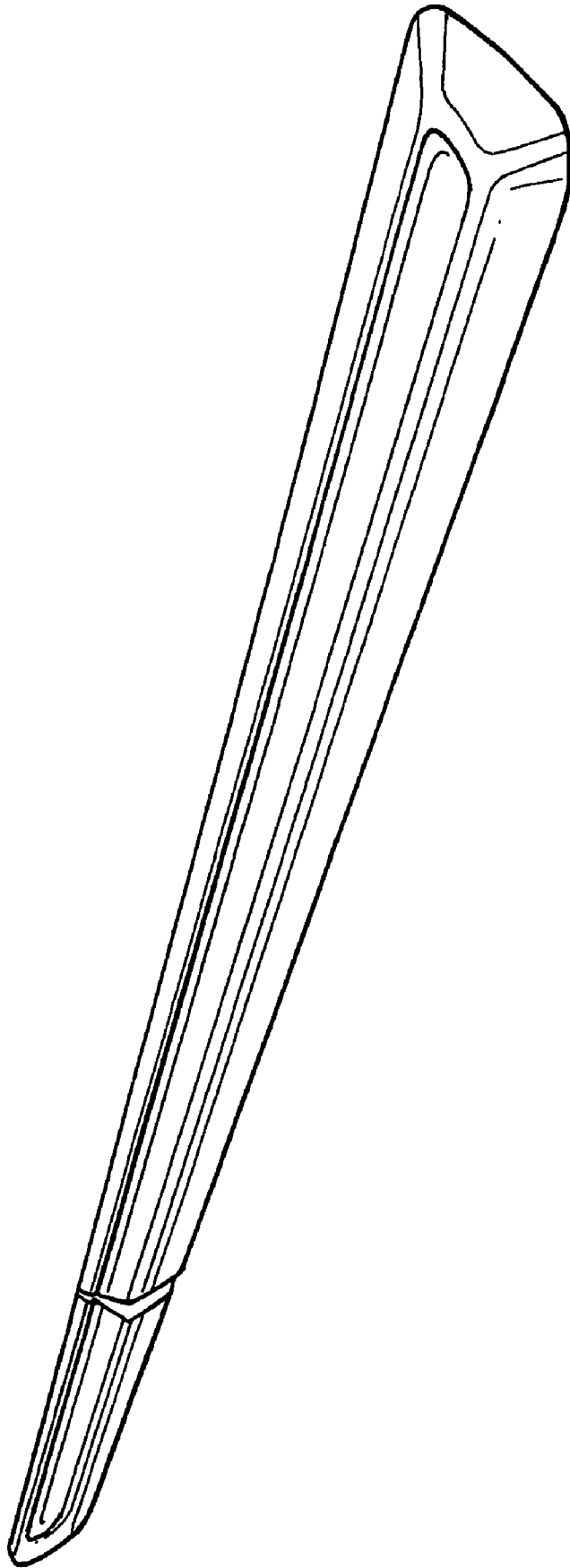


FIG. 2

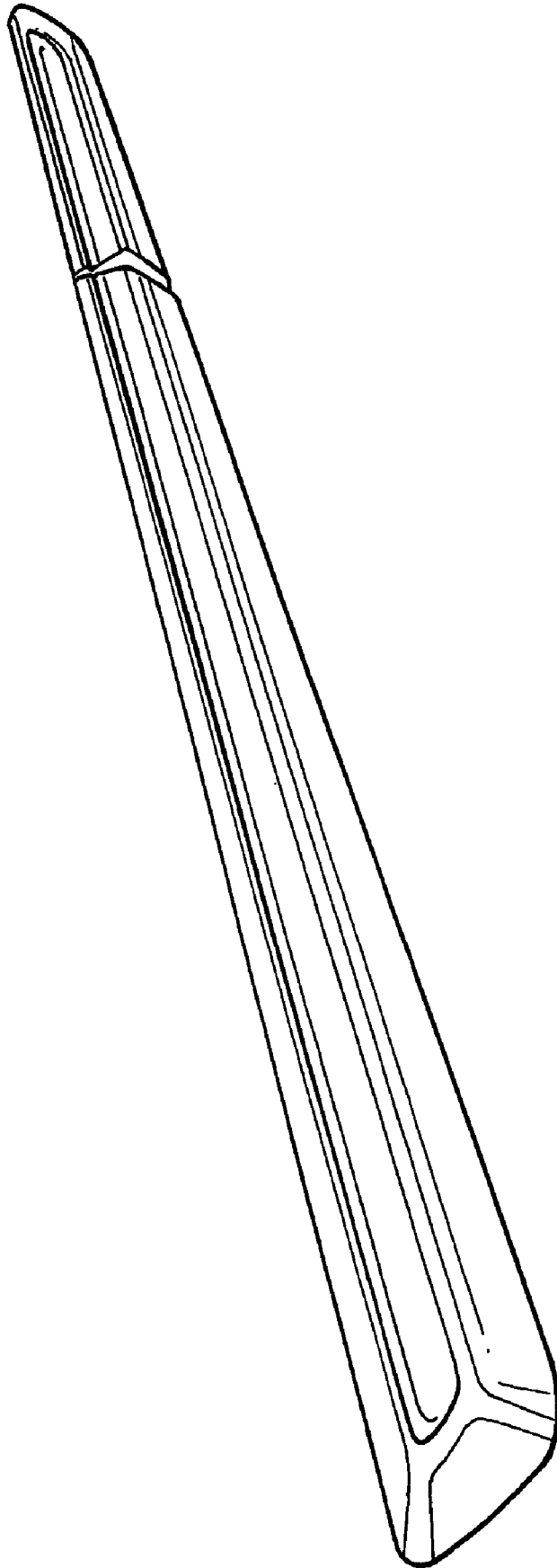


FIG. 3

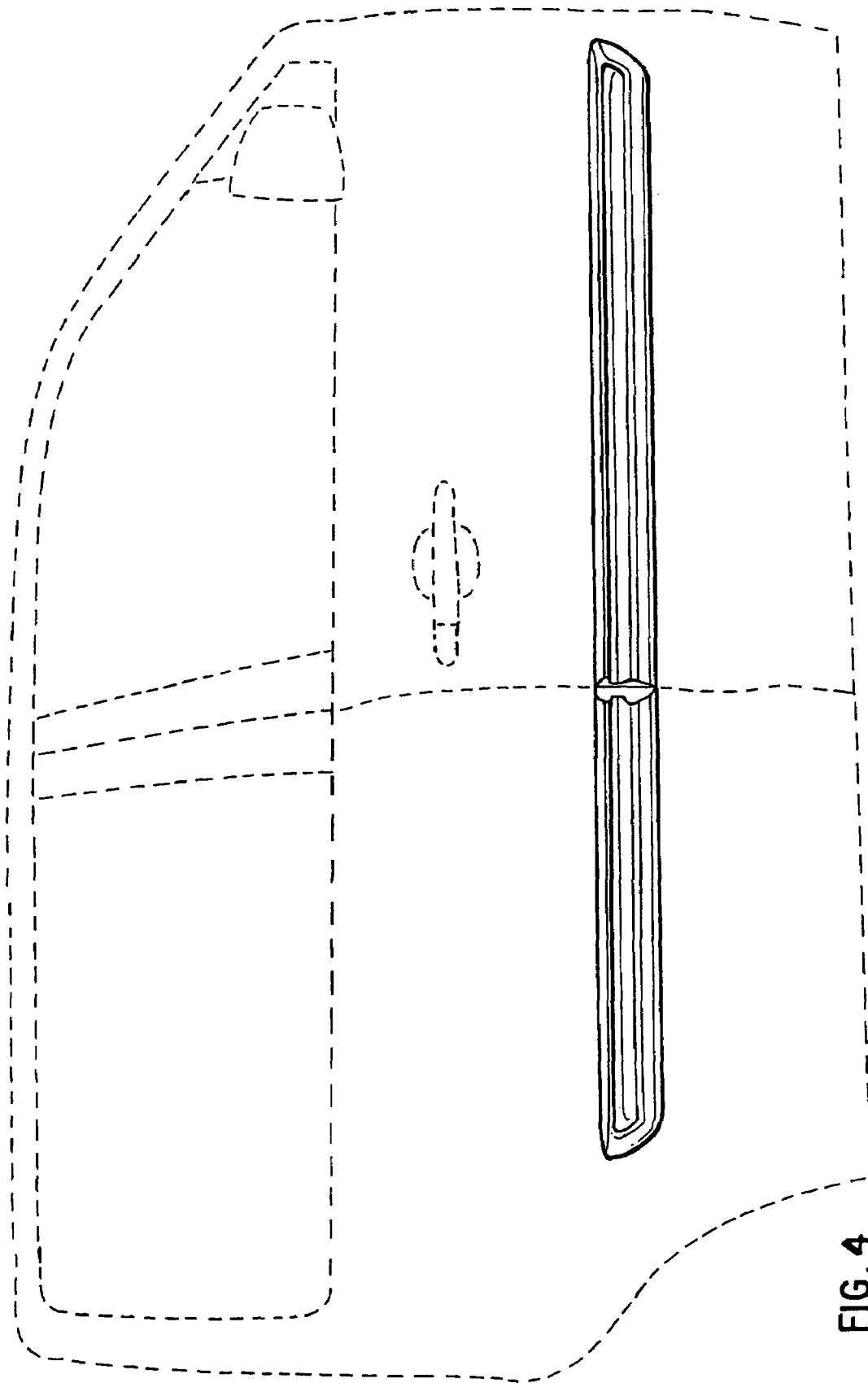


FIG. 4

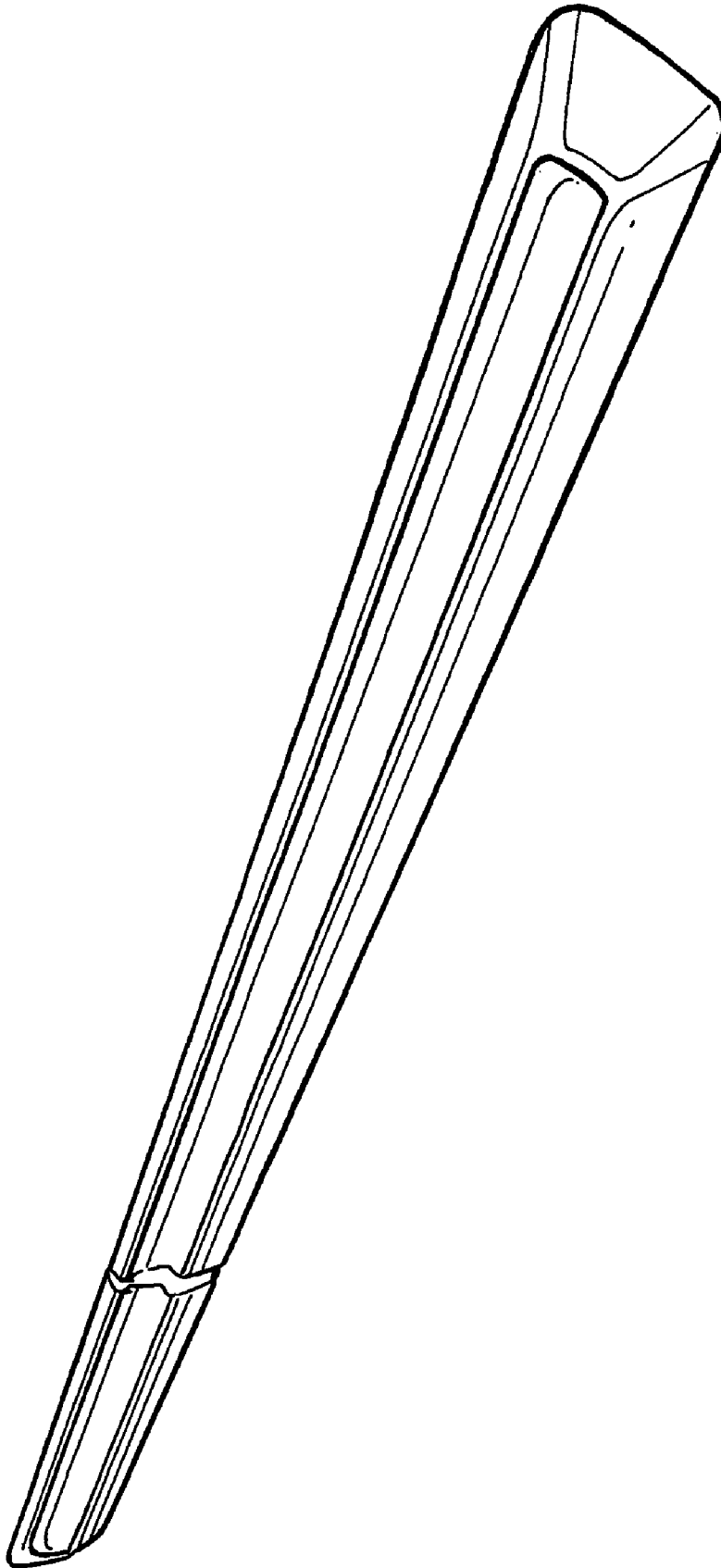


FIG. 5

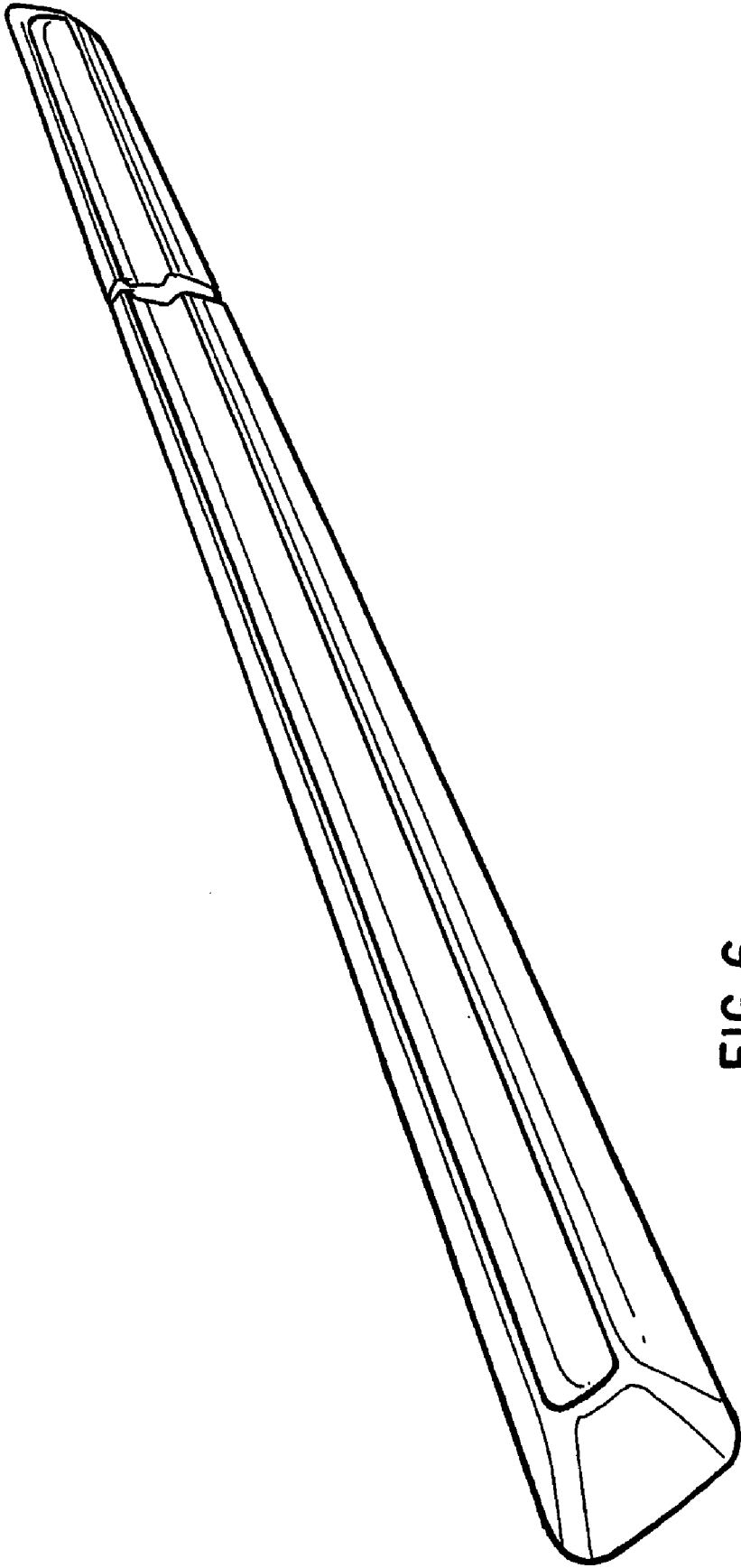


FIG. 6