



US00D976308S

(12) **United States Design Patent** (10) **Patent No.:** **US D976,308 S**
Ishikawa et al. (45) **Date of Patent:** **** Jan. 24, 2023**

(54) **PORTABLE LABEL PRINTER**

(56) **References Cited**

(71) Applicant: **SATO HOLDINGS KABUSHIKI KAISHA**, Tokyo (JP)

U.S. PATENT DOCUMENTS

(72) Inventors: **Toshihiro Ishikawa**, Asaka (JP);
Kazuyuki Hoshi, Tokyo (JP)

D628,620	S	*	12/2010	Beck	D18/50
D685,415	S	*	7/2013	Kinoshita	D18/54
D713,871	S	*	9/2014	Preliasco	D18/14
D765,773	S	*	9/2016	Ozawa	D18/14
D790,006	S	*	6/2017	Yoshida	D18/14
D829,812	S	*	10/2018	Tsiopanos	D18/19
D833,521	S	*	11/2018	Nanno	D18/50
D963,038	S	*	9/2022	Tsiopanos	D18/19

(73) Assignee: **SATO HOLDINGS KABUSHIKI KAISHA**, Tokyo (JP)

(**) Term: **15 Years**

* cited by examiner

(21) Appl. No.: **35/512,287**

Primary Examiner — Khawaja Anwar

(22) Filed: **Jan. 25, 2021**

(74) *Attorney, Agent, or Firm* — Andrew F. Young; Nolte Lackenbach Siegel

(80) **Hague Agreement Data**

Int. Filing Date: **Jan. 25, 2021**
 Int. Reg. No.: **DM/213876**
 Int. Reg. Date: **Jan. 25, 2021**
 Int. Reg. Pub. Date: **Jul. 30, 2021**

(57) **CLAIM**

The ornamental design for a portable label printer, as shown and described.

(51) **LOC (14) Cl.** **18-03**
 (52) **U.S. Cl.**
 USPC **D18/19**

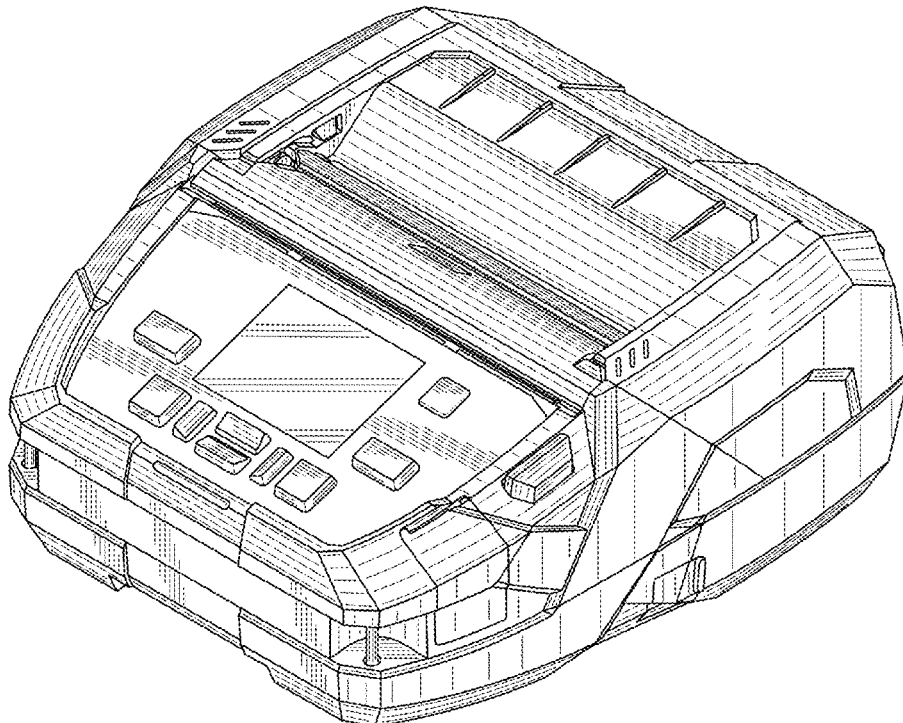
DESCRIPTION

(58) **Field of Classification Search**
 USPC D18/19, 34.3, 36, 43, 46, 47, 50, 53, 56, D18/59
 CPC .. B41F 15/26; B41F 33/0036; B41F 33/0045; B41J 2/17546; G03G 15/04; G03G 15/5016; G03G 15/60; G03G 15/607; G03G 21/0094; G03G 21/1619; G03G 21/1647; G03G 21/1666

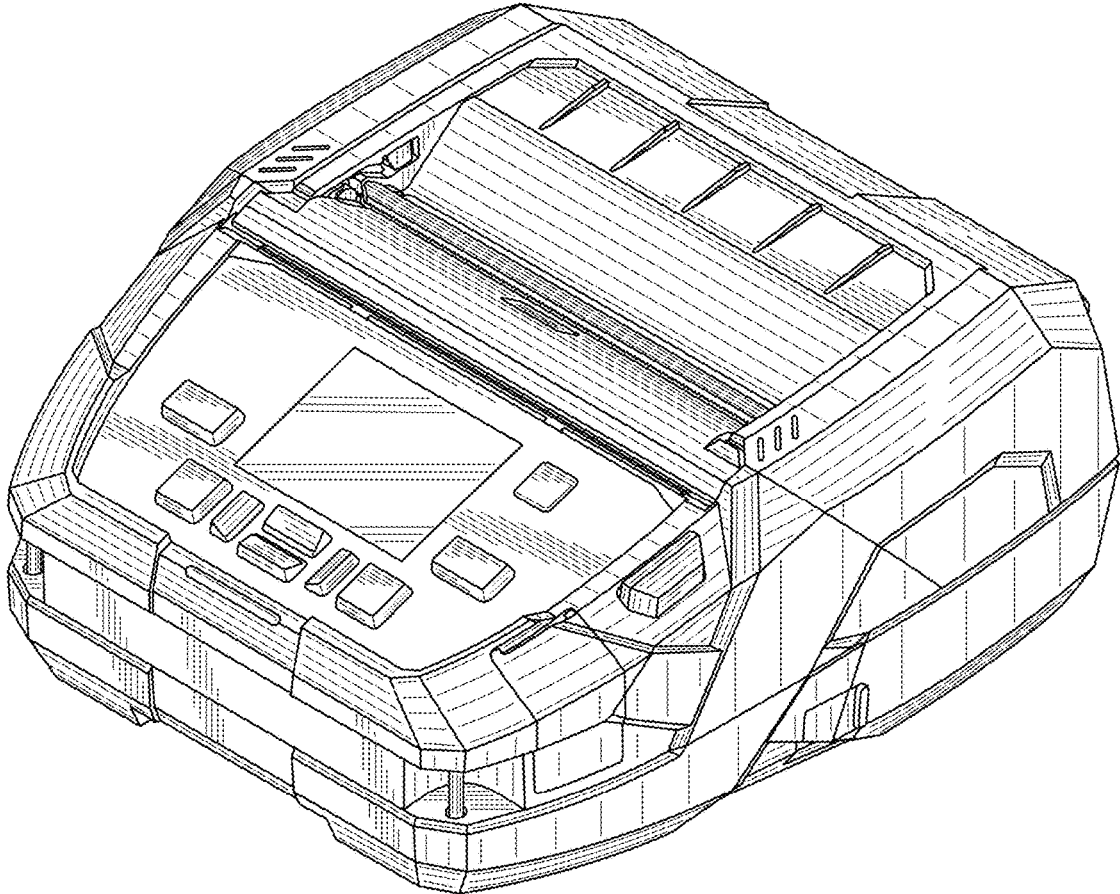
1. Portable label printer
- 1.1 : Perspective
- 1.2 : Perspective
- 1.3 : Front
- 1.4 : Back
- 1.5 : Top
- 1.6 : Bottom
- 1.7 : Right
- 1.8 : Left

See application file for complete search history.

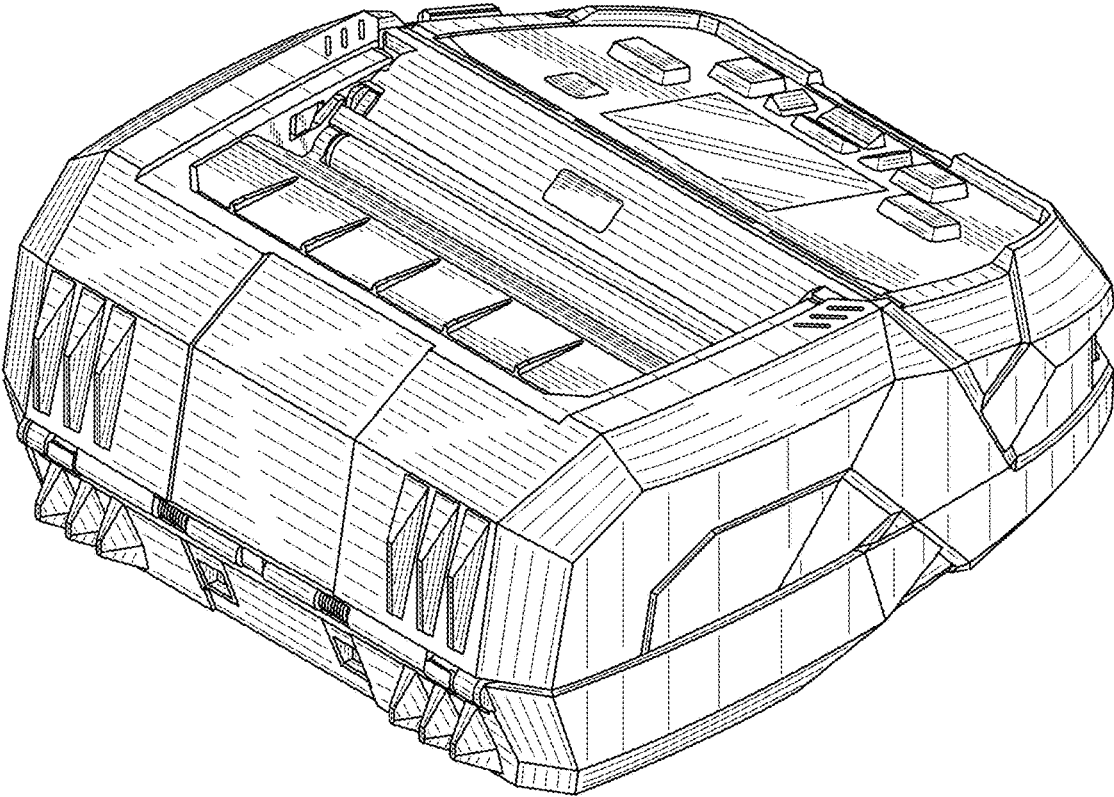
1 Claim, 8 Drawing Sheets



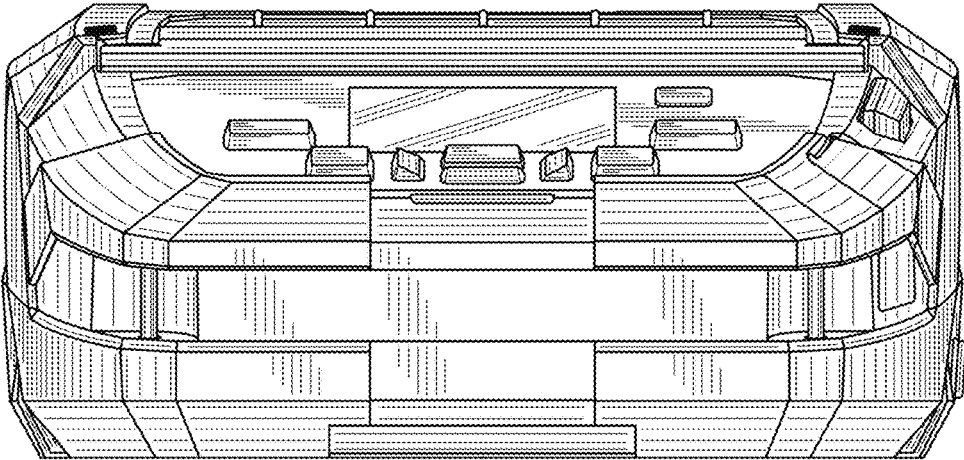
1.1



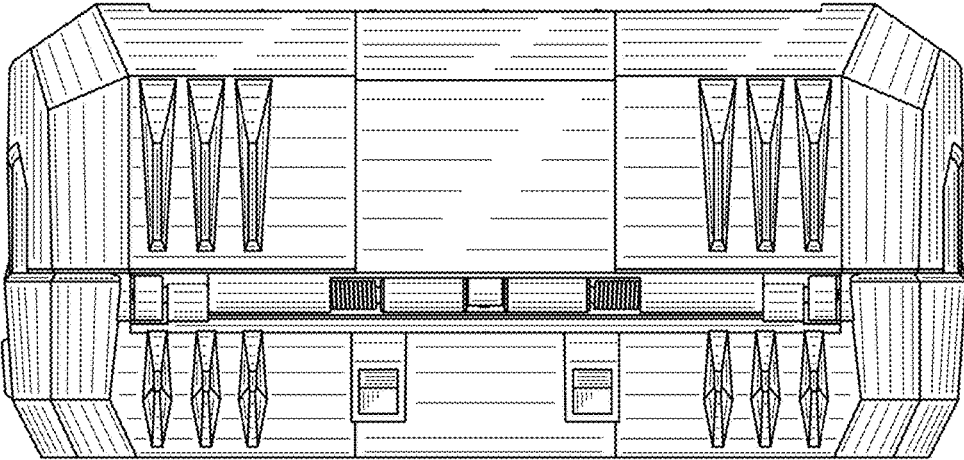
1.2



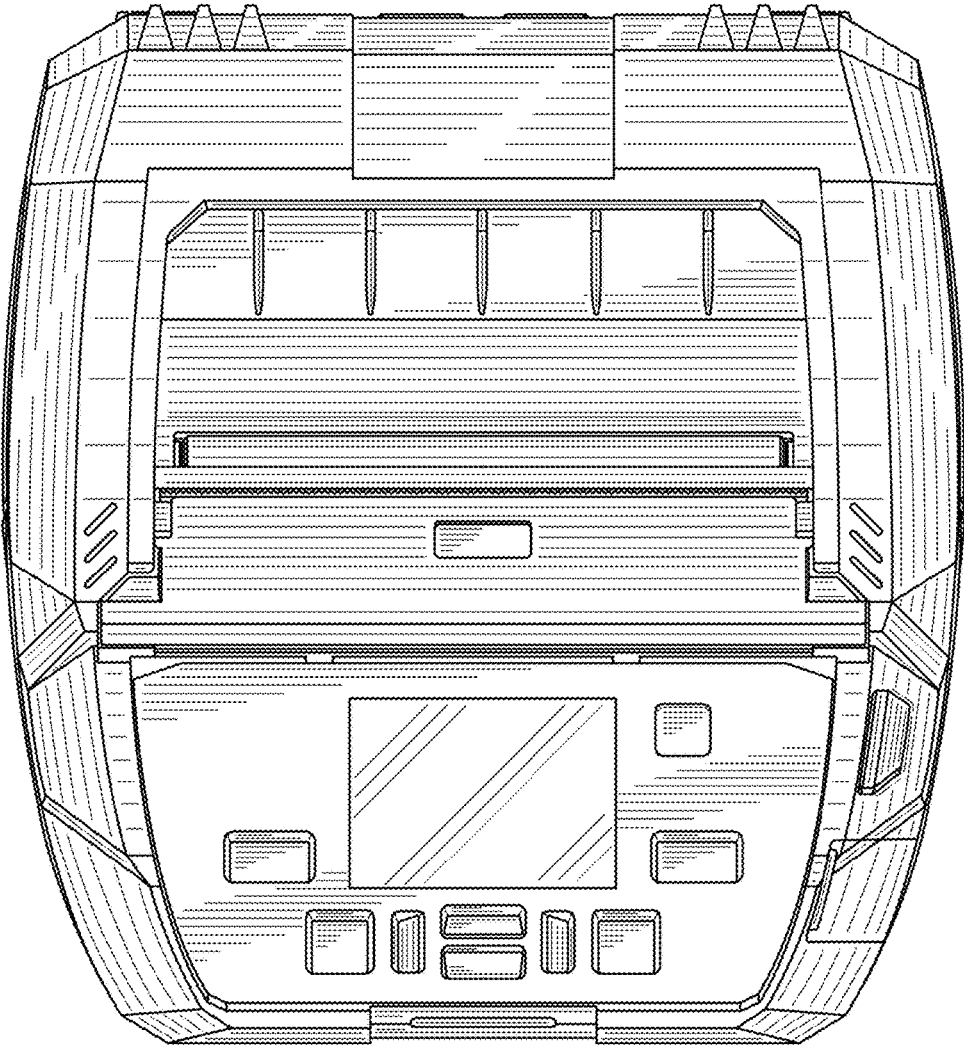
1.3



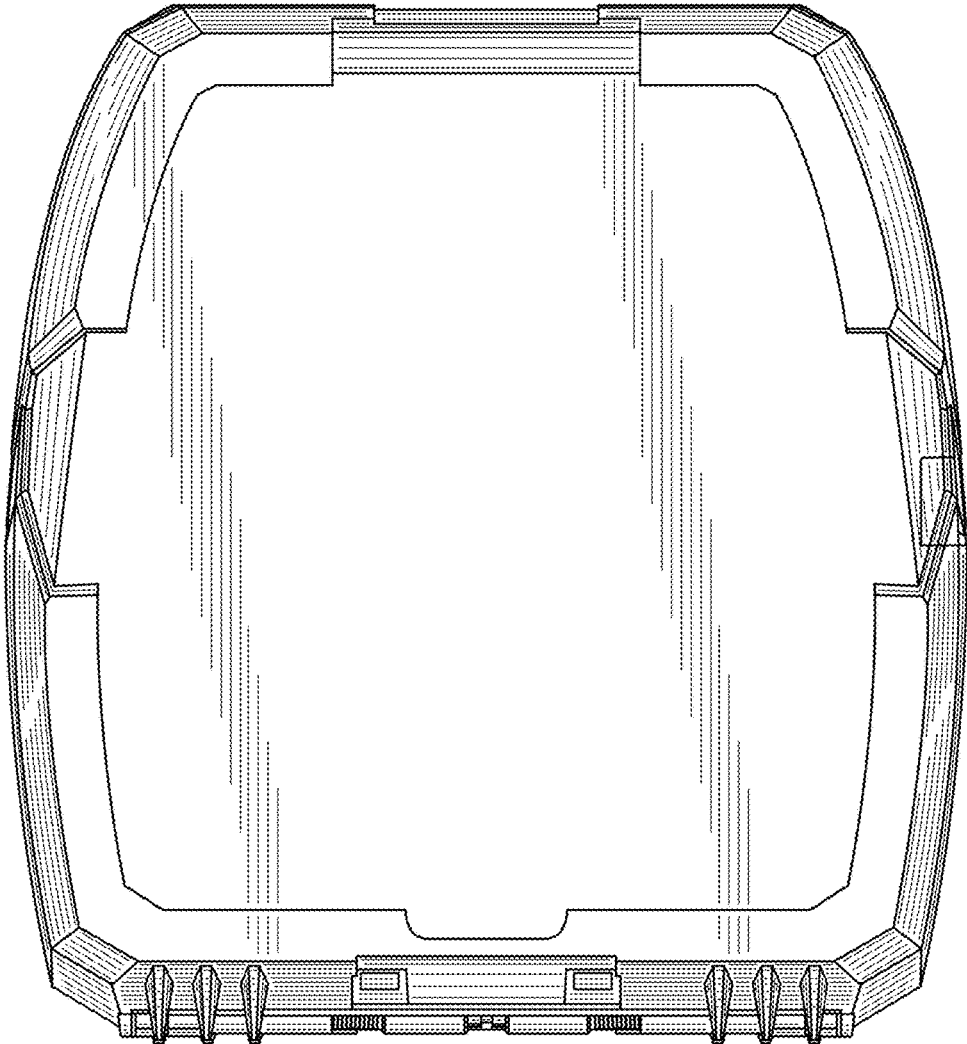
1.4



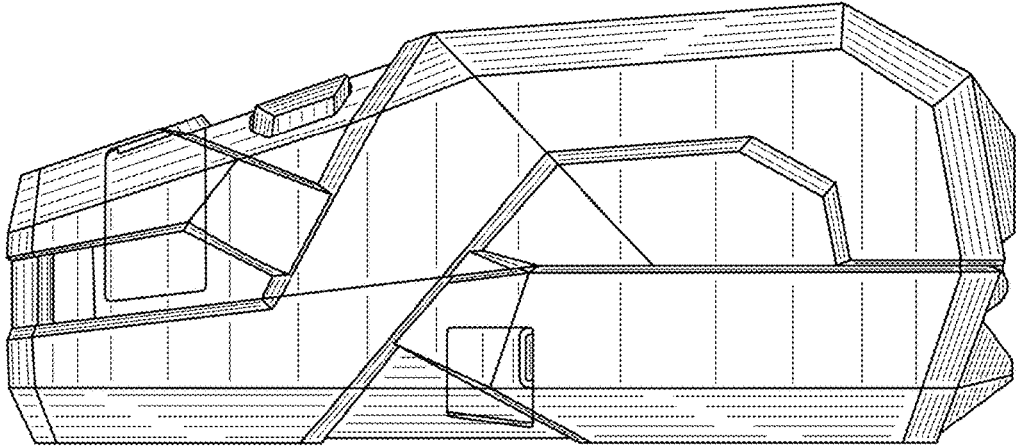
1.5



1.6



1.7



1.8

