



US0D1008564S

(12) **United States Design Patent**
Zheng

(10) **Patent No.:** **US D1,008,564 S**

(45) **Date of Patent:** **** Dec. 19, 2023**

- (54) **BASE UNIT FOR WIG**
- (71) Applicant: **Xuchang Longqi Electronic Commerce Co., Ltd, Xuchang (CN)**
- (72) Inventor: **Qingna Zheng, Xuchang (CN)**
- (73) Assignee: **XUCHANG LONGQI ELECTRONIC COMMERCE CO., LTD, Xuchang (CN)**

2006/0260627 A1* 11/2006 Park A41G 3/00
132/54
2013/0213422 A1* 8/2013 Park A41G 3/00
132/54
2015/0327609 A1* 11/2015 Suh A41G 3/0075
132/54
2016/0113342 A1* 4/2016 Park A41G 3/0033
132/54

* cited by examiner

Primary Examiner — Zenia I Bennett
 (74) *Attorney, Agent, or Firm* — Chun-Ming Shih;
 LANWAY IPR SERVICES

- (**) Term: **15 Years**
- (21) Appl. No.: **29/830,630**

- (22) Filed: **Mar. 14, 2022**
- (51) **LOC (14) Cl.** **28-04**
- (52) **U.S. Cl.**
USPC **D28/93**

- (58) **Field of Classification Search**
USPC D28/92, 93
CPC ... A41G 3/00; A41G 5/00; A41G 5/04; A41G
5/0046; A41G 5/0053; A41G 5/006;
A41G 5/0066; A41G 5/0073
See application file for complete search history.

- (56) **References Cited**
U.S. PATENT DOCUMENTS

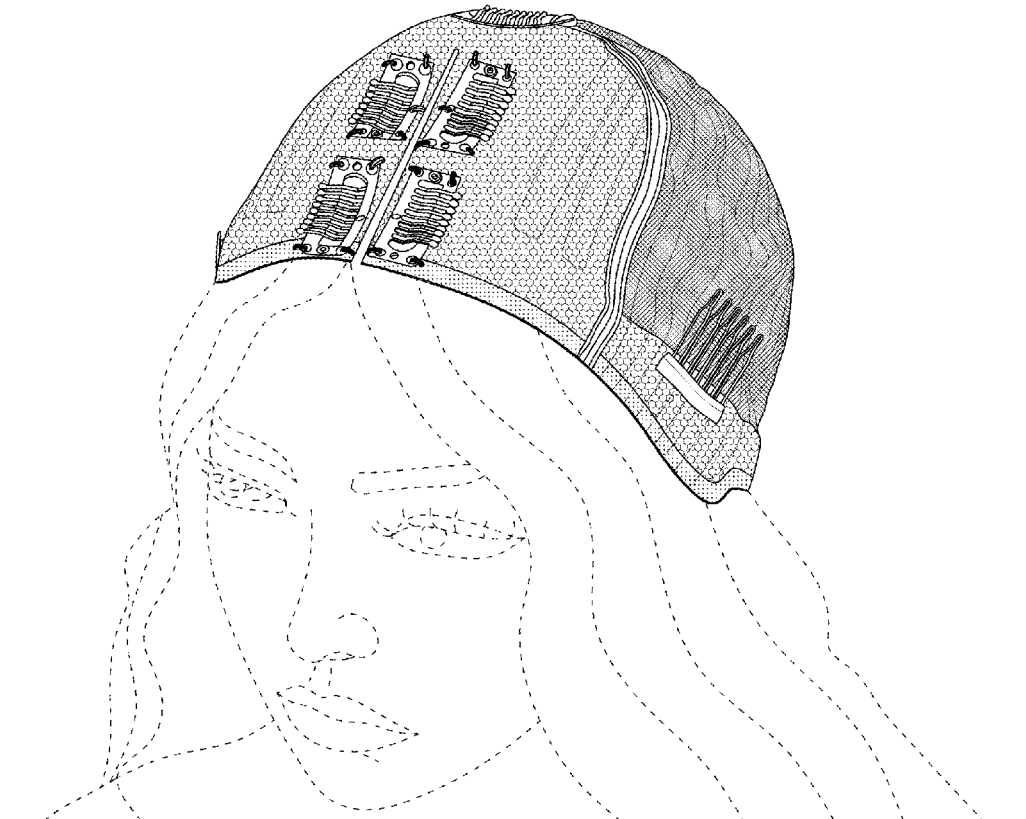
D936,938 S * 11/2021 Sonoyama D2/875
 2004/0139978 A1* 7/2004 Anzivino A41G 3/0041
 132/54

(57) **CLAIM**
 The ornamental design for a base unit for wig, as shown and described.

DESCRIPTION

FIG. 1 is a perspective view of a base unit for wig showing the new design;
 FIG. 2 is a front view thereof;
 FIG. 3 is a back view thereof;
 FIG. 4 is a left side view thereof;
 FIG. 5 is a right side view thereof; and,
 FIG. 6 is a top view thereof.
 The broken lines represent the portions of the design that form no part of the claim.

1 Claim, 6 Drawing Sheets



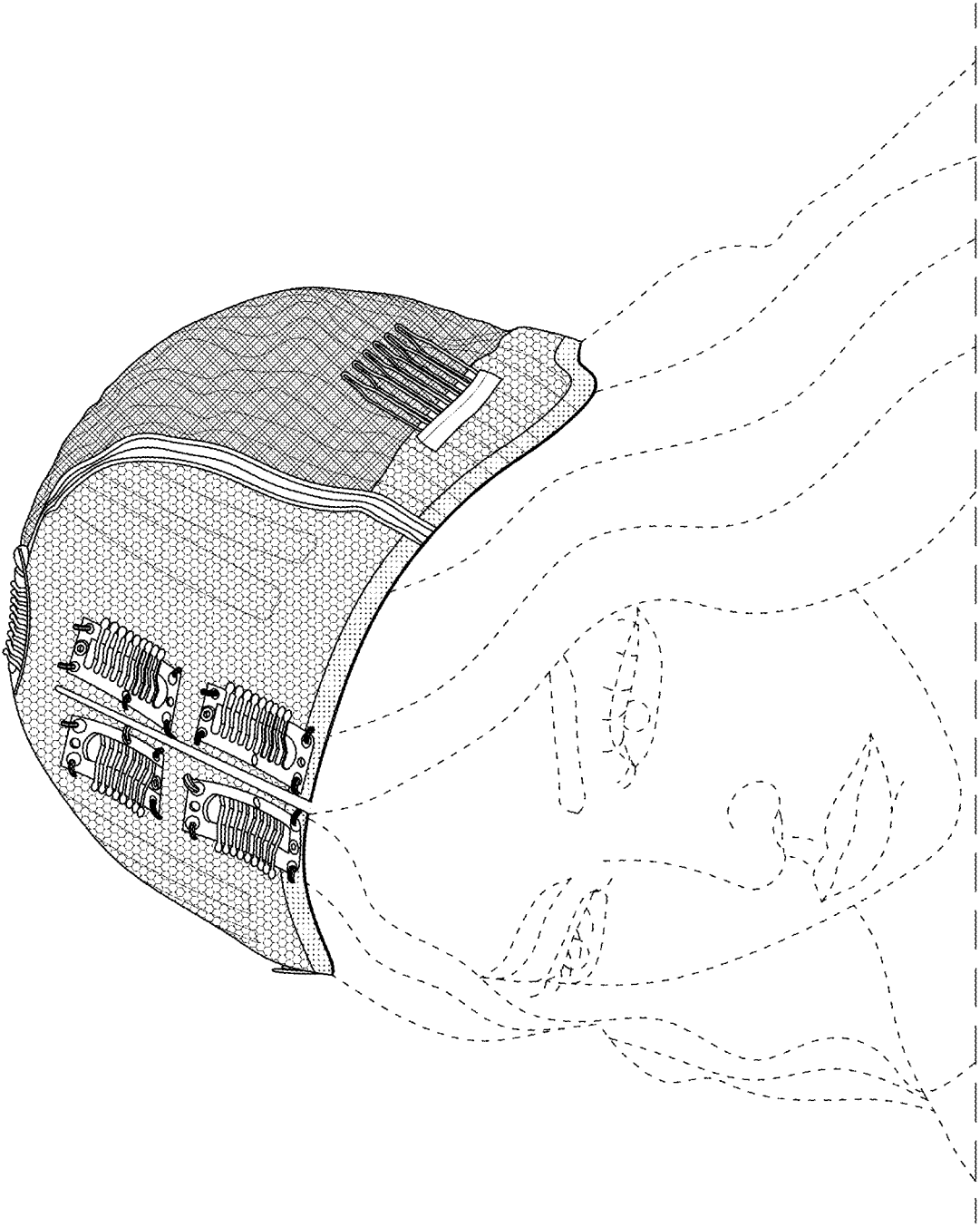


FIG. 1

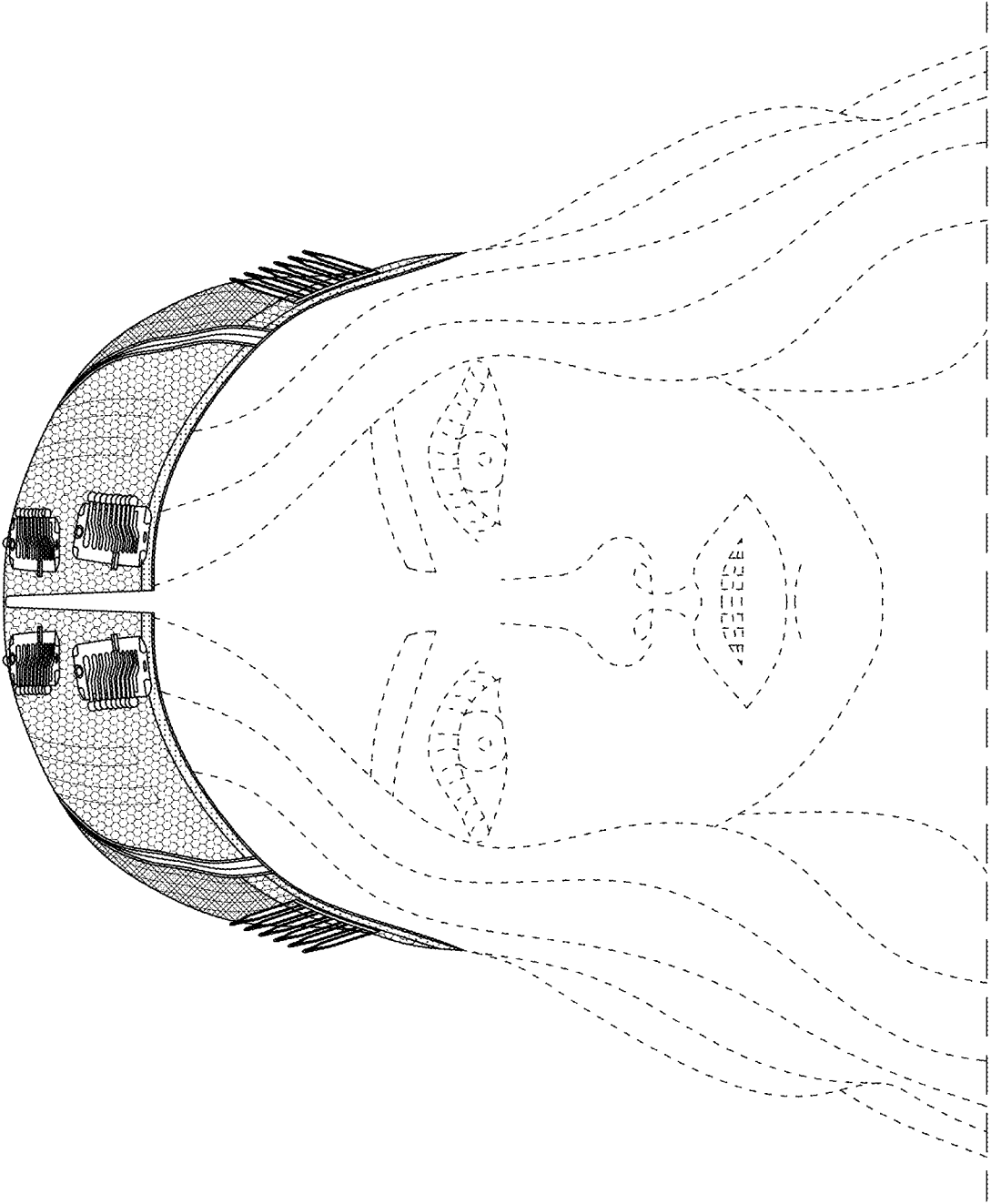


FIG. 2

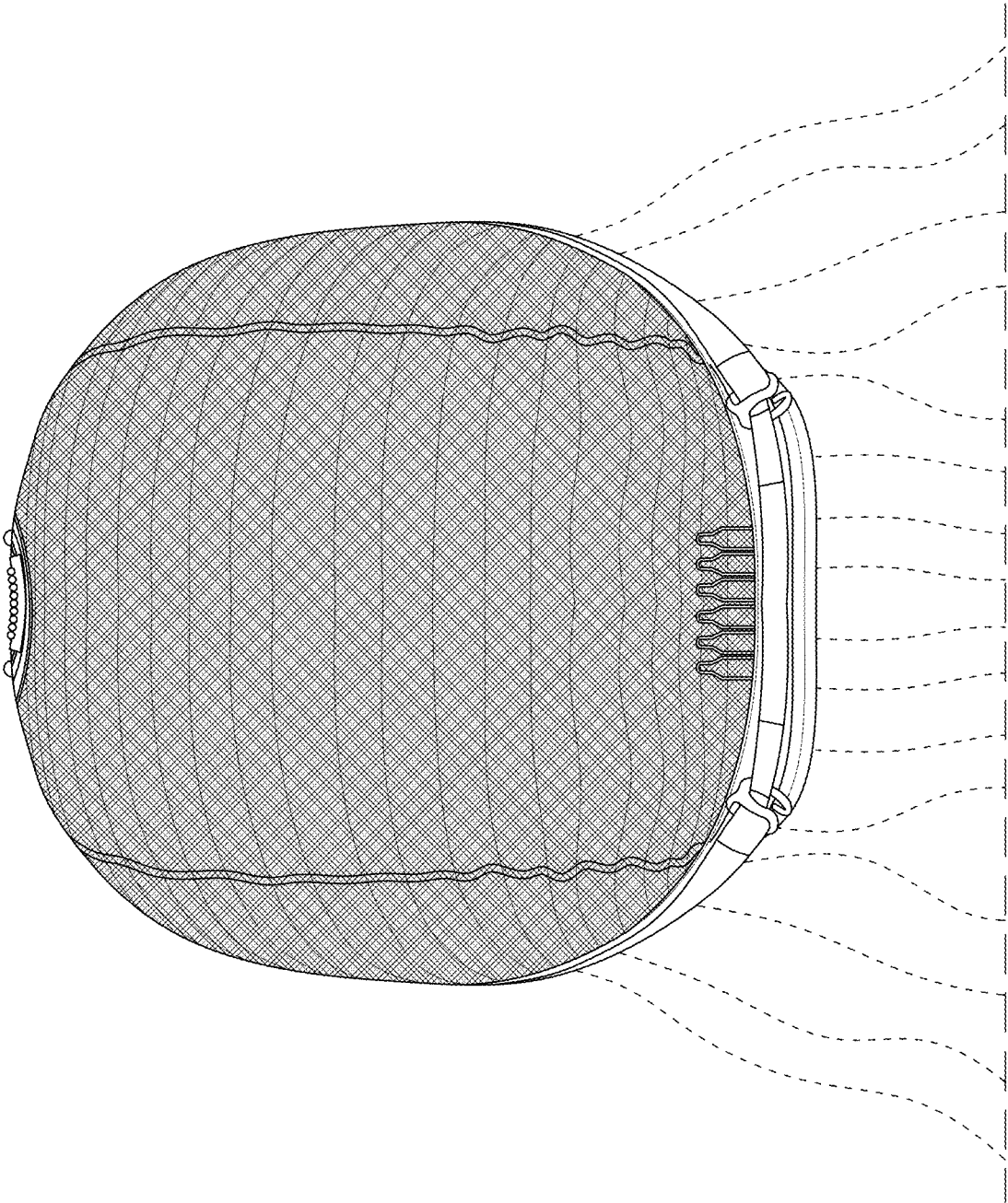


FIG. 3

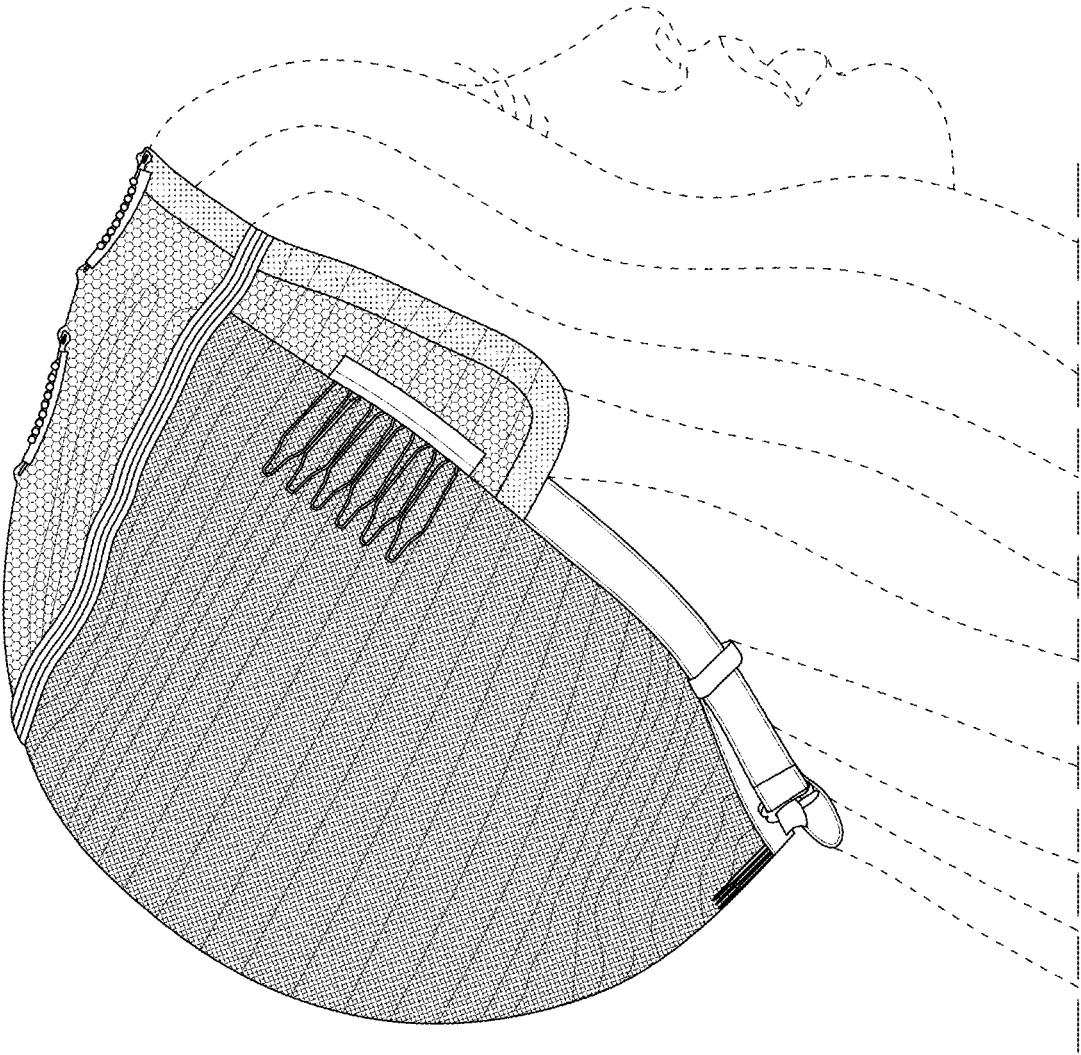


FIG. 4

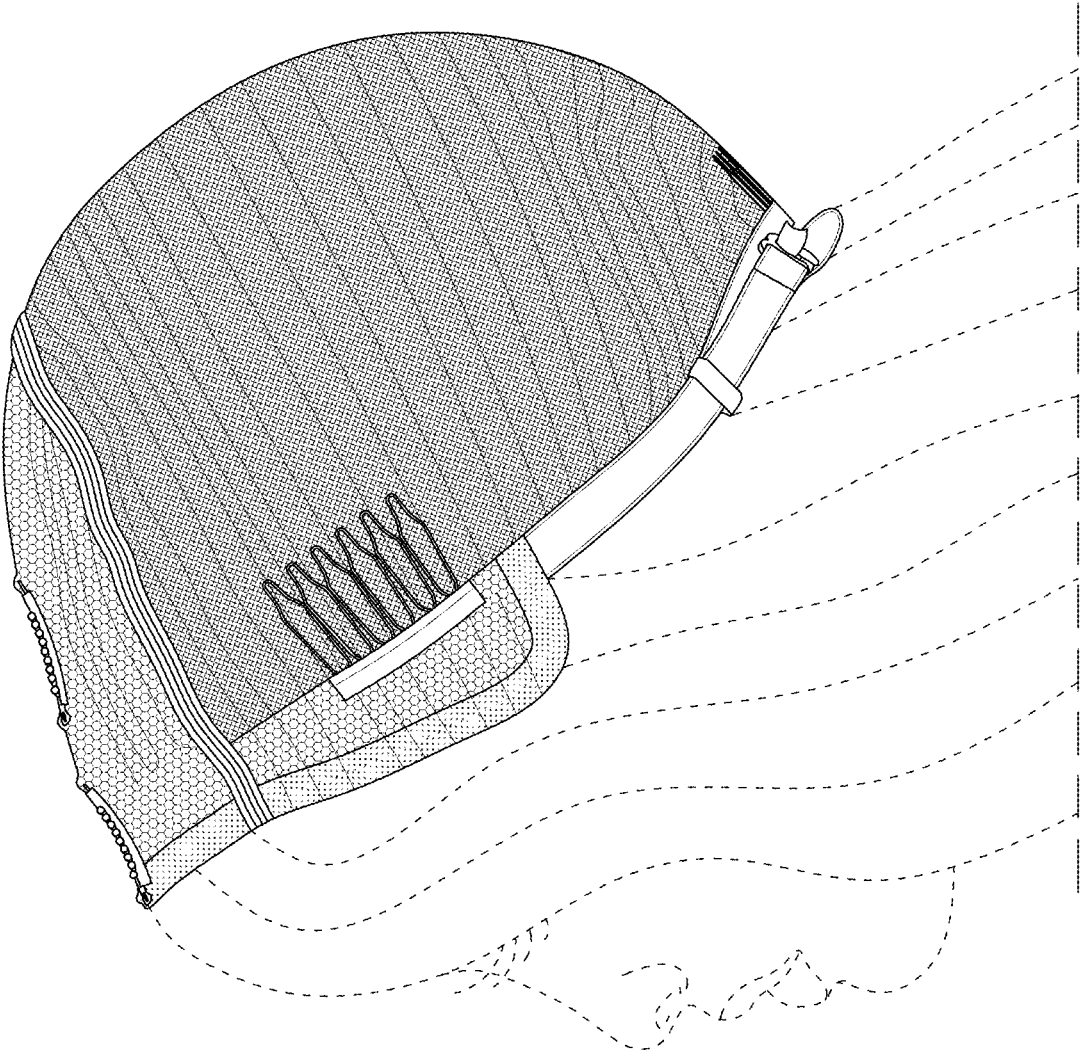


FIG. 5

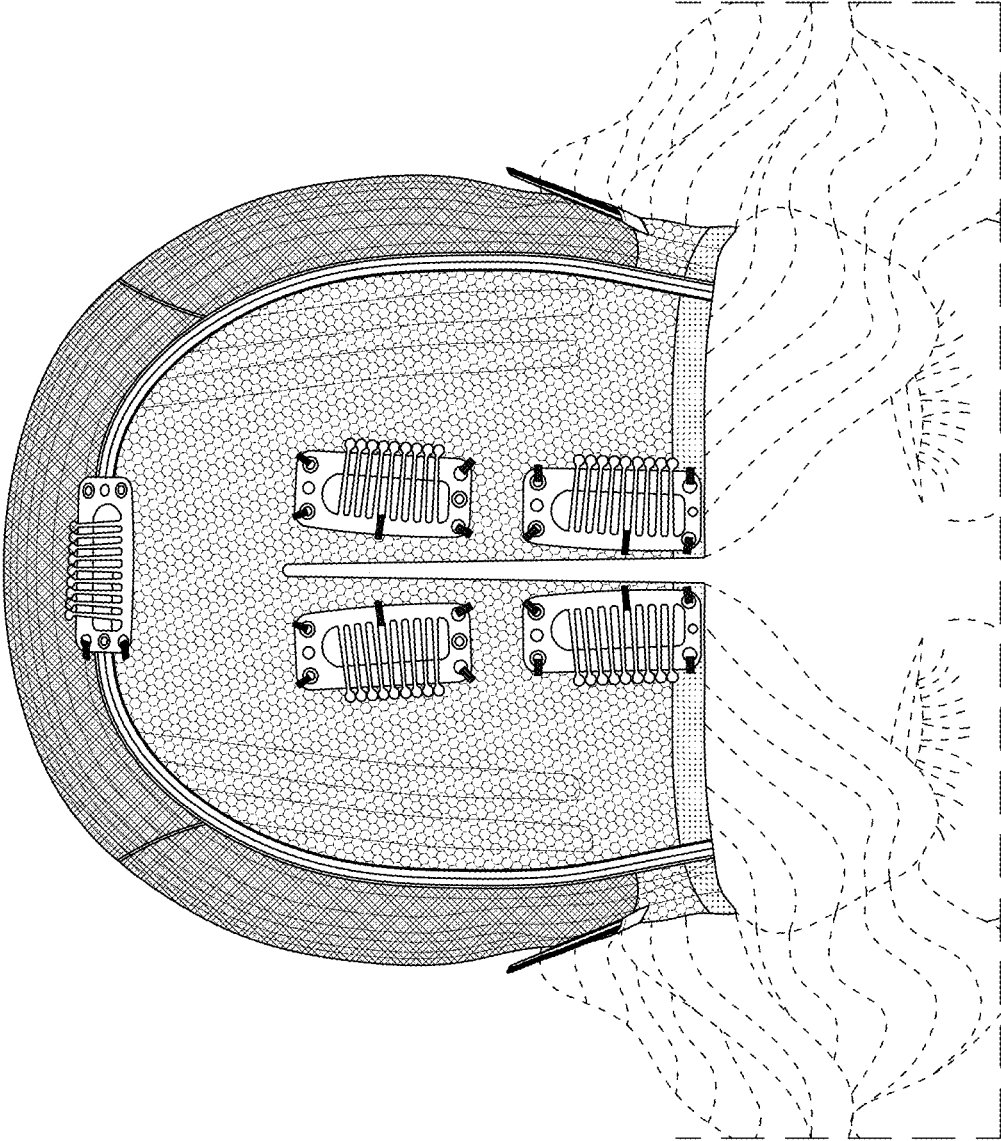


FIG. 6