

(19) World Intellectual Property Organization
International Bureau



(43) International Publication Date
14 January 2010 (14.01.2010)

(10) International Publication Number
WO 2010/005592 A3

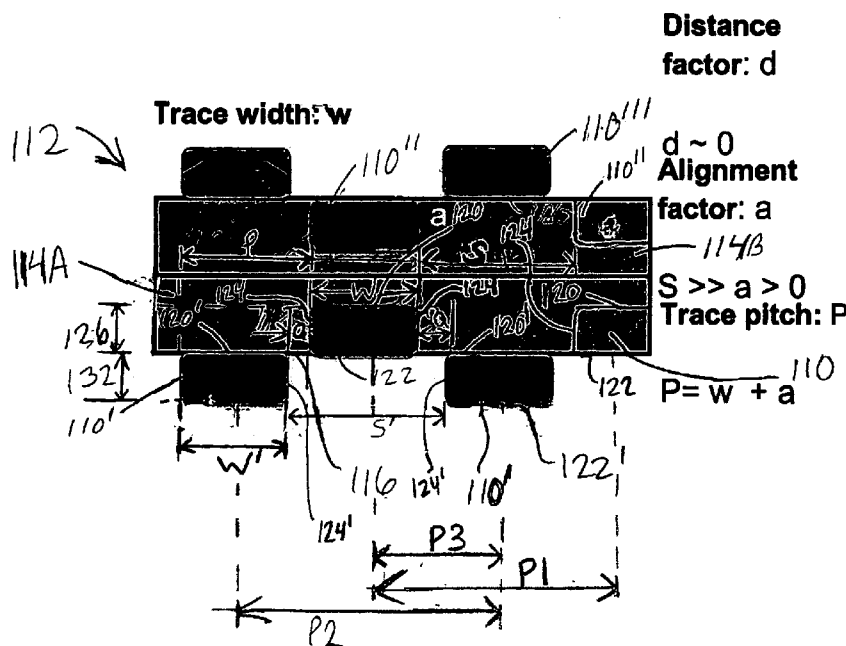
- (51) International Patent Classification:
H01L 23/498 (2006.01) *H01L 21/48* (2006.01)
- (21) International Application Number:
PCT/US2009/004033
- (22) International Filing Date:
8 July 2009 (08.07.2009)
- (25) Filing Language: English
- (26) Publication Language: English
- (30) Priority Data:
61/134,457 9 July 2008 (09.07.2008) US
- (71) Applicant (for all designated States except US):
TESSERA, INC. [US/US]; 3025 Orchard Parkway, San Jose, CA 95134 (US).
- (72) Inventors; and
- (75) Inventors/Applicants (for US only): RYU, Chang, Myung [KR/US]; 3025 Orchard Parkway, San Jose, CA 95134 (US). ENDO, Kimitaka [JP/JP]; 3025 Orchard Parkway, San Jose, CA 95134 (US). HABA, Belgacem [US/US]; 3025 Orchard Parkway, San Jose, CA 95134 (US). KUBOTA, Yoichi [JP/US]; 3025 Orchard Parkway, San Jose, CA 95134 (US).

- (74) Agents: NEFF, Daryl, K. et al.; Lerner, David, Littenberg, Krumholz & Mentlik, LLP, 600 South Avenue West, Westfield, NJ 07090 (US).
- (81) Designated States (unless otherwise indicated, for every kind of national protection available): AE, AG, AL, AM, AO, AT, AU, AZ, BA, BB, BG, BH, BR, BW, BY, BZ, CA, CH, CL, CN, CO, CR, CU, CZ, DE, DK, DM, DO, DZ, EC, EE, EG, ES, FI, GB, GD, GE, GH, GM, GT, HN, HR, HU, ID, IL, IN, IS, JP, KE, KG, KM, KN, KP, KR, KZ, LA, LC, LK, LR, LS, LT, LU, LY, MA, MD, ME, MG, MK, MN, MW, MX, MY, MZ, NA, NG, NI, NO, NZ, OM, PE, PG, PH, PL, PT, RO, RS, RU, SC, SD, SE, SG, SK, SL, SM, ST, SV, SY, TJ, TM, TN, TR, TT, TZ, UA, UG, US, UZ, VC, VN, ZA, ZM, ZW.
- (84) Designated States (unless otherwise indicated, for every kind of regional protection available): ARIPO (BW, GH, GM, KE, LS, MW, MZ, NA, SD, SL, SZ, TZ, UG, ZM, ZW), Eurasian (AM, AZ, BY, KG, KZ, MD, RU, TJ, TM), European (AT, BE, BG, CH, CY, CZ, DE, DK, EE, ES, FI, FR, GB, GR, HR, HU, IE, IS, IT, LT, LU, LV, MC, MK, MT, NL, NO, PL, PT, RO, SE, SI, SK, SM, TR), OAPI (BF, BJ, CF, CG, CI, CM, GA, GN, GQ, GW, ML, MR, NE, SN, TD, TG).

[Continued on next page]

(54) Title: MICROELECTRONIC INTERCONNECT ELEMENT WITH DECREASED CONDUCTOR SPACING

FIG. 3A



(57) Abstract: A microelectronic interconnect element can include a plurality of first metal lines (110) and plurality of second metal lines (110') interleaved with the first metal lines (110). Each of the first and second metal lines has a surface (122), (120') extending within the same reference plane. The first metal lines (110) have surfaces (120) above the reference plane and remote therefrom and the second metal lines (110') have surfaces (122') below the reference plane and remote therefrom. A dielectric layer (114A) can separate a metal line of the first metal lines from an adjacent metal line of the second metal lines.

WO 2010/005592 A3



Published:

(88) Date of publication of the international search report:

7 October 2010

- *with international search report (Art. 21(3))*
- *before the expiration of the time limit for amending the claims and to be republished in the event of receipt of amendments (Rule 48.2(h))*

INTERNATIONAL SEARCH REPORT

International application No
PCT/US2009/004033

A. CLASSIFICATION OF SUBJECT MATTER
 INV. H01L23/498 H01L21/48
 ADD.
 According to International Patent Classification (IPC) or to both national classification and IPC

B. FIELDS SEARCHED
 Minimum documentation searched (classification system followed by classification symbols)
 H01L

Documentation searched other than minimum documentation to the extent that such documents are included in the fields searched

Electronic data base consulted during the international search (name of data base and, where practical, search terms used)
 EPO-Internal

C. DOCUMENTS CONSIDERED TO BE RELEVANT

Category*	Citation of document, with indication, where appropriate, of the relevant passages	Relevant to claim No.
X	EP 0 560 077 A2 (ROGERS CORP [US] ROGERS CORP [DE]) 15 September 1993 (1993-09-15) figure 34	1-13
X	US 2008/020132 A1 (HUEMOELLER RONALD P [US] ET AL HUEMOELLER RONALD PATRICK [US] ET AL) 24 January 2008 (2008-01-24) figure 1N	1-13
X	US 6 150 721 A (BANDYOPADHYAY BASAB [US] ET AL) 21 November 2000 (2000-11-21) figure 2	1-13
X	US 2001/028112 A1 (MA KIN F [US] ET AL) 11 October 2001 (2001-10-11) figure 4	1-13
	----- -/--	

Further documents are listed in the continuation of Box C. See patent family annex.

* Special categories of cited documents :

<p>"A" document defining the general state of the art which is not considered to be of particular relevance</p> <p>"E" earlier document but published on or after the international filing date</p> <p>"L" document which may throw doubts on priority claim(s) or which is cited to establish the publication date of another citation or other special reason (as specified)</p> <p>"O" document referring to an oral disclosure, use, exhibition or other means</p> <p>"P" document published prior to the international filing date but later than the priority date claimed</p>	<p>"T" later document published after the international filing date or priority date and not in conflict with the application but cited to understand the principle or theory underlying the invention</p> <p>"X" document of particular relevance; the claimed invention cannot be considered novel or cannot be considered to involve an inventive step when the document is taken alone</p> <p>"Y" document of particular relevance; the claimed invention cannot be considered to involve an inventive step when the document is combined with one or more other such documents, such combination being obvious to a person skilled in the art.</p> <p>"&" document member of the same patent family</p>
--	--

Date of the actual completion of the international search 26 July 2010	Date of mailing of the international search report 13/08/2010
--	---

Name and mailing address of the ISA/ European Patent Office, P.B. 5818 Patentlaan 2 NL - 2280 HV Rijswijk Tel. (+31-70) 340-2040, Fax: (+31-70) 340-3016	Authorized officer Kästner, Martin
--	--

INTERNATIONAL SEARCH REPORT

International application No

PCT/US2009/004033

C(Continuation). DOCUMENTS CONSIDERED TO BE RELEVANT		
Category*	Citation of document, with indication, where appropriate, of the relevant passages	Relevant to claim No.
X	US 2002/105088 A1 (YANG WON-SUK [KR] ET AL) 8 August 2002 (2002-08-08) figure 2 -----	1-13
X	US 2005/082674 A1 (SETA SHOJI [JP] ET AL) 21 April 2005 (2005-04-21) figure 25 -----	1-13
X	EP 0 966 035 A1 (SIEMENS AG [DE] INFINEON TECHNOLOGIES AG [DE]) 22 December 1999 (1999-12-22) figure 4 -----	1-13

INTERNATIONAL SEARCH REPORT

Information on patent family members

International application No

PCT/US2009/004033

Patent document cited in search report	Publication date	Patent family member(s)	Publication date	
EP 0560077	A2	15-09-1993	US 5440805 A US 5287619 A	15-08-1995 22-02-1994
US 2008020132	A1	24-01-2008	NONE	
US 6150721	A	21-11-2000	WO 9747036 A1 US 5846876 A	11-12-1997 08-12-1998
US 2001028112	A1	11-10-2001	NONE	
US 2002105088	A1	08-08-2002	JP 4283470 B2 JP 2002246466 A KR 20020065983 A	24-06-2009 30-08-2002 14-08-2002
US 2005082674	A1	21-04-2005	NONE	
EP 0966035	A1	22-12-1999	CN 1254949 A DE 69930027 T2 JP 2000031280 A KR 20000006238 A TW 417204 B US 6137178 A	31-05-2000 14-09-2006 28-01-2000 25-01-2000 01-01-2001 24-10-2000