



US00D770626S

(12) **United States Design Patent**
Werner et al.

(10) **Patent No.:** **US D770,626 S**

(45) **Date of Patent:** **** Nov. 1, 2016**

- (54) **DISPLAY FOR DENTAL SCALER**
- (71) Applicant: **Dentsply International, Inc.**, York, PA (US)
- (72) Inventors: **Peter H. Werner**, Columbia, PA (US); **Michael C. Dietrich**, East Petersburg, PA (US); **David J. Kierce**, York, PA (US); **Jeremy J. Kile**, York, PA (US); **Jill C. Denna**, Kalamazoo, MI (US); **Clifford Krapfl**, Chicago, IL (US); **Thomas R. Mitchell**, Chicago, IL (US)
- (73) Assignee: **Dentsply International, Inc.**, York, PA (US)

D661,399 S *	6/2012	Wang	D24/176
8,314,605 B2 *	11/2012	Pruckner	A61C 17/20
				324/120
2007/0166662 A1 *	7/2007	Lint	A61C 17/20
				433/101
2009/0162810 A1 *	6/2009	Werner	A61C 17/20
				433/119
2016/0038257 A1 *	2/2016	Eder	A61C 1/0061
				433/118

* cited by examiner

Primary Examiner — Wan Laymon

(74) *Attorney, Agent, or Firm* — Baker & Hostetler LLP

(**) Term: **15 Years**

(57) **CLAIM**

The ornamental design for a display for a dental scaler, as shown and described.

(21) Appl. No.: **29/530,699**

DESCRIPTION

(22) Filed: **Jun. 18, 2015**

(51) **LOC (10) Cl.** **24-02**

(52) **U.S. Cl.**

USPC **D24/176**

(58) **Field of Classification Search**

USPC D24/176-180; D10/46

CPC A61C 17/20; A61C 1/0007; A61C 1/02;

A61C 1/0084; A61C 1/088

See application file for complete search history.

FIG. 1 is a front perspective view of a display for dental scaler in accordance with our new design; FIG. 2 is a front elevational view thereof; FIG. 3 is a top plan view thereof; FIG. 4 is a front display of FIG. 1 with the environmental structure removed for ease of illustration; FIG. 5 is a second embodiment of the display for dental scaler of FIG. 1; and, FIG. 6 is a third embodiment of the display for dental scaler of FIG. 1.

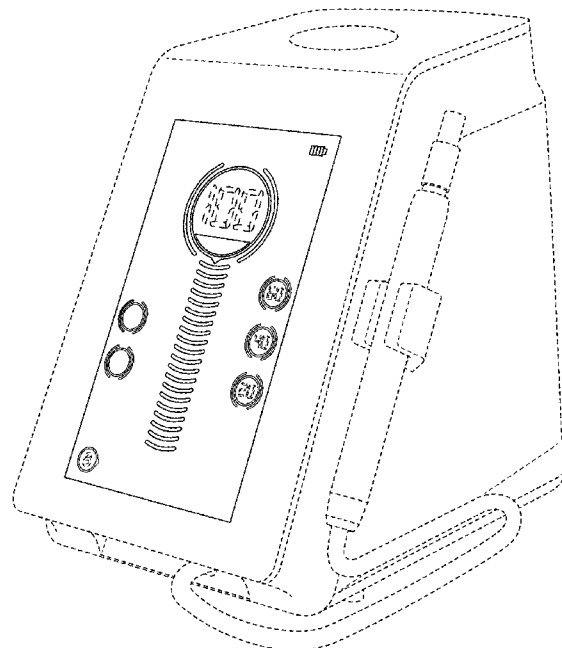
The broken lines showing various features in the figures represent portions of the dental scaler with display that form no part of the claimed design.

(56) **References Cited**

U.S. PATENT DOCUMENTS

7,131,837 B2 *	11/2006	Guaragno	A61C 17/20
				433/119
D539,428 S *	3/2007	Nakanishi	D24/177

1 Claim, 6 Drawing Sheets



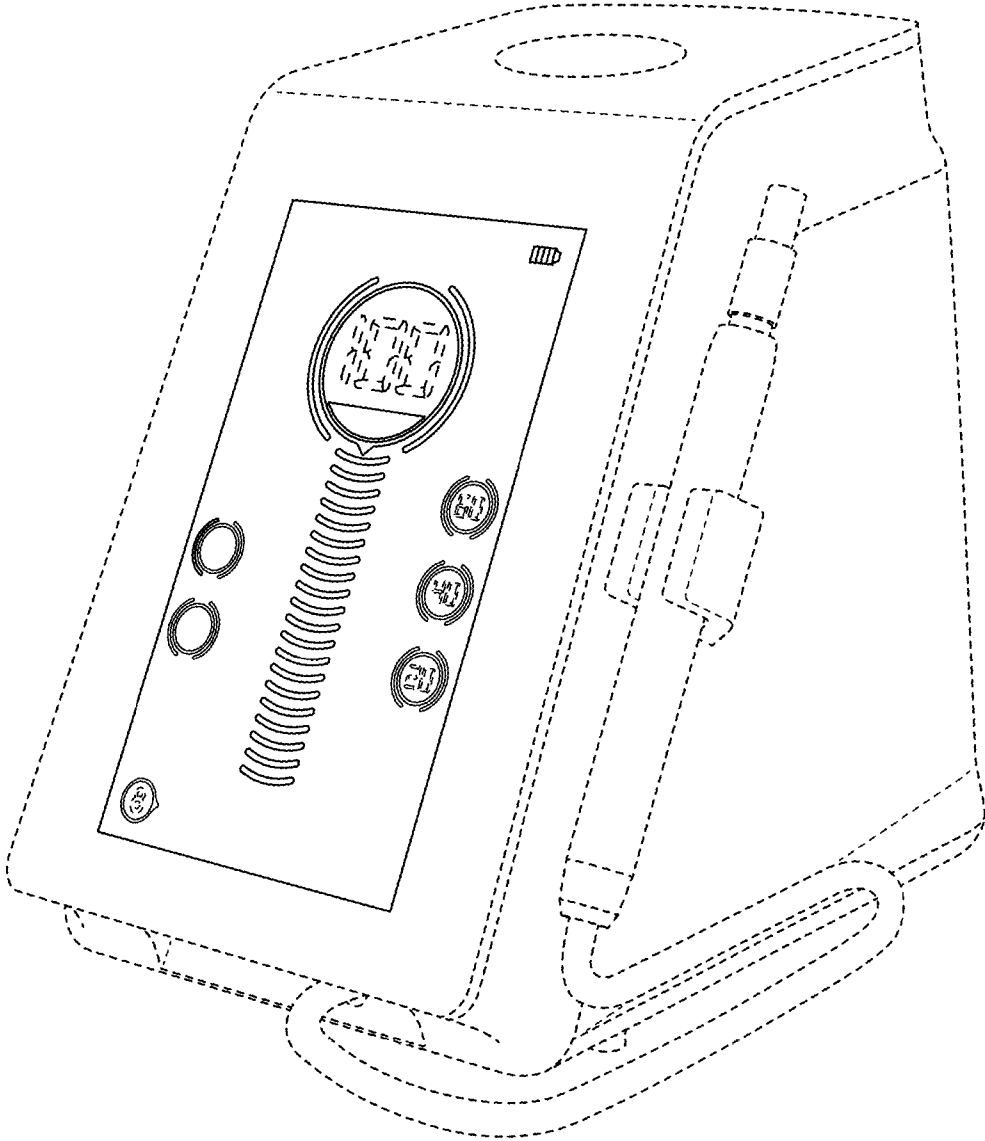


FIG. 1

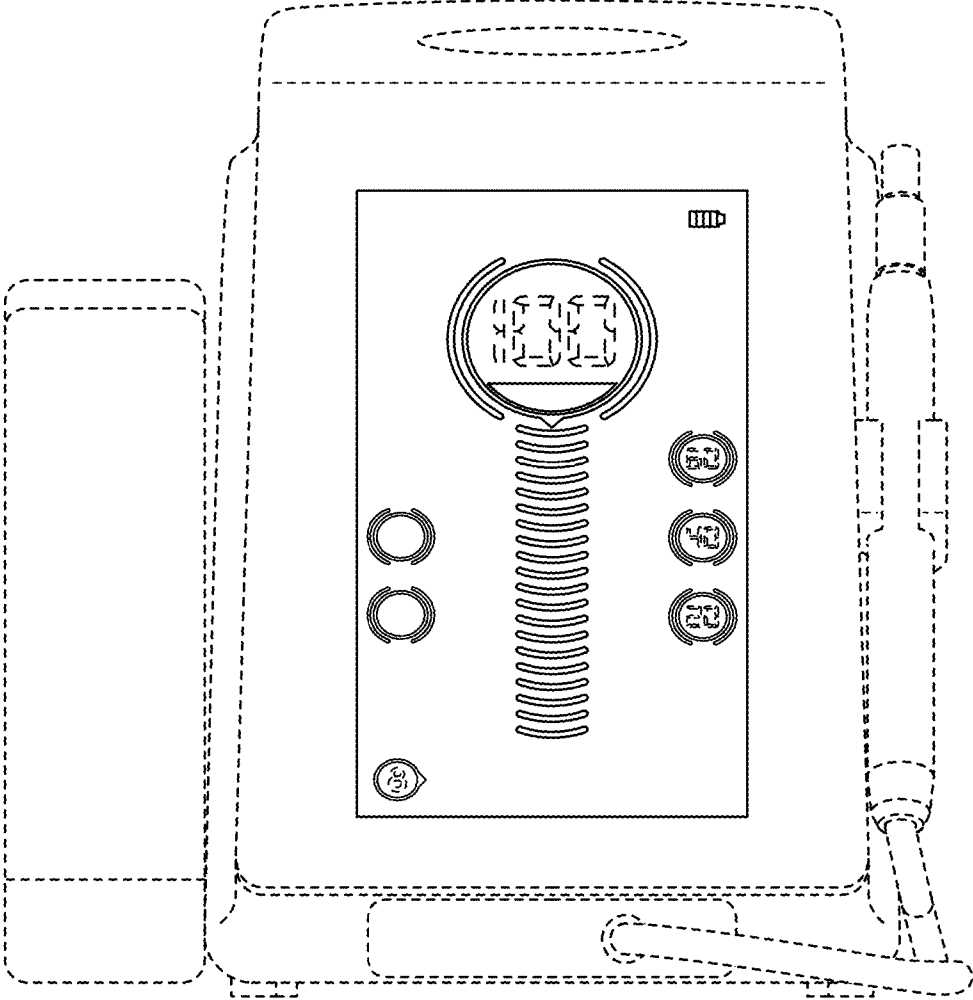


FIG. 2

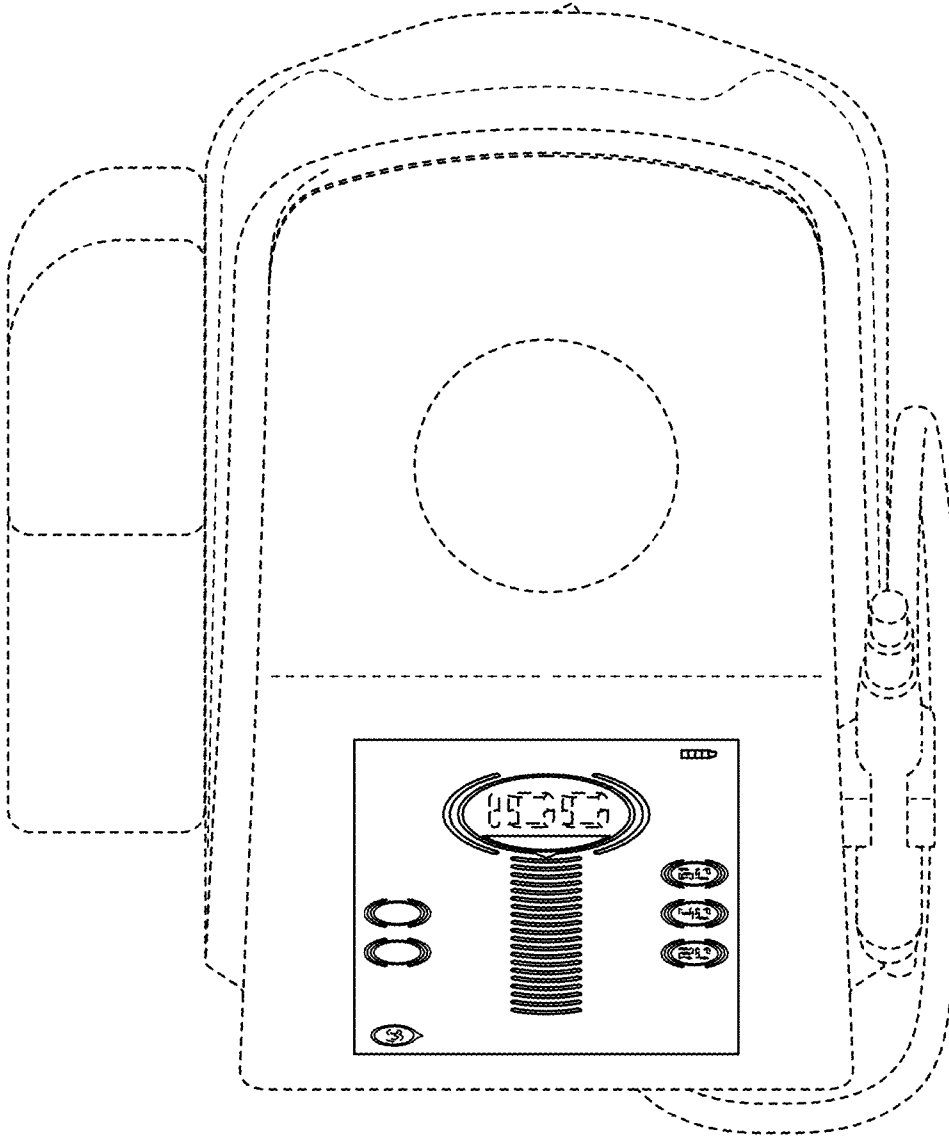


FIG. 3

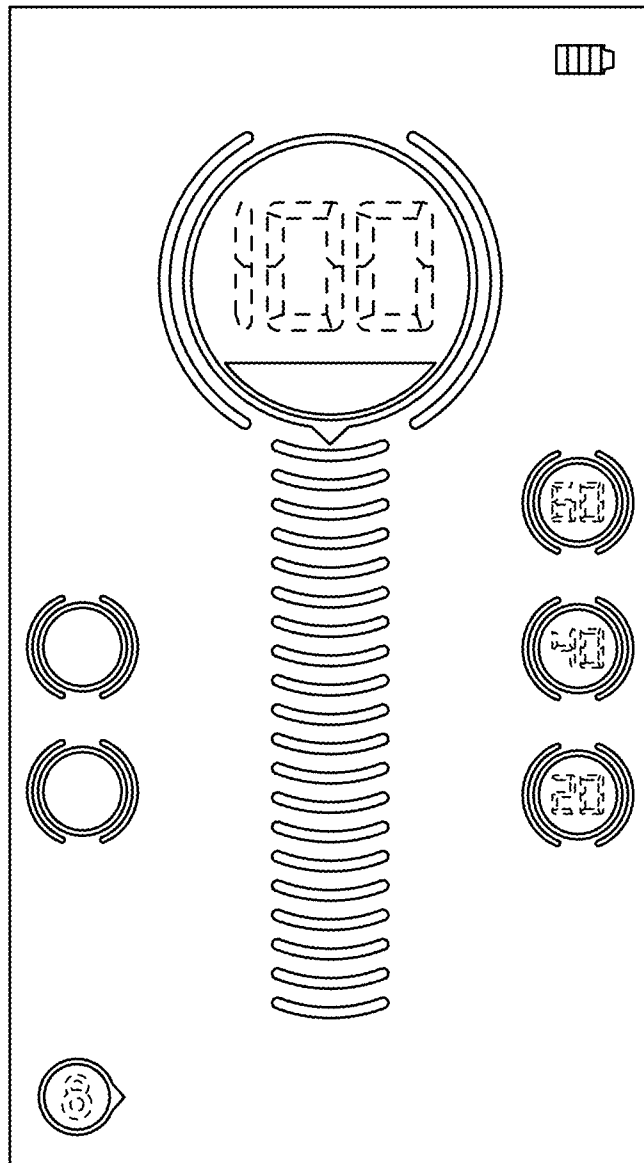


FIG. 4

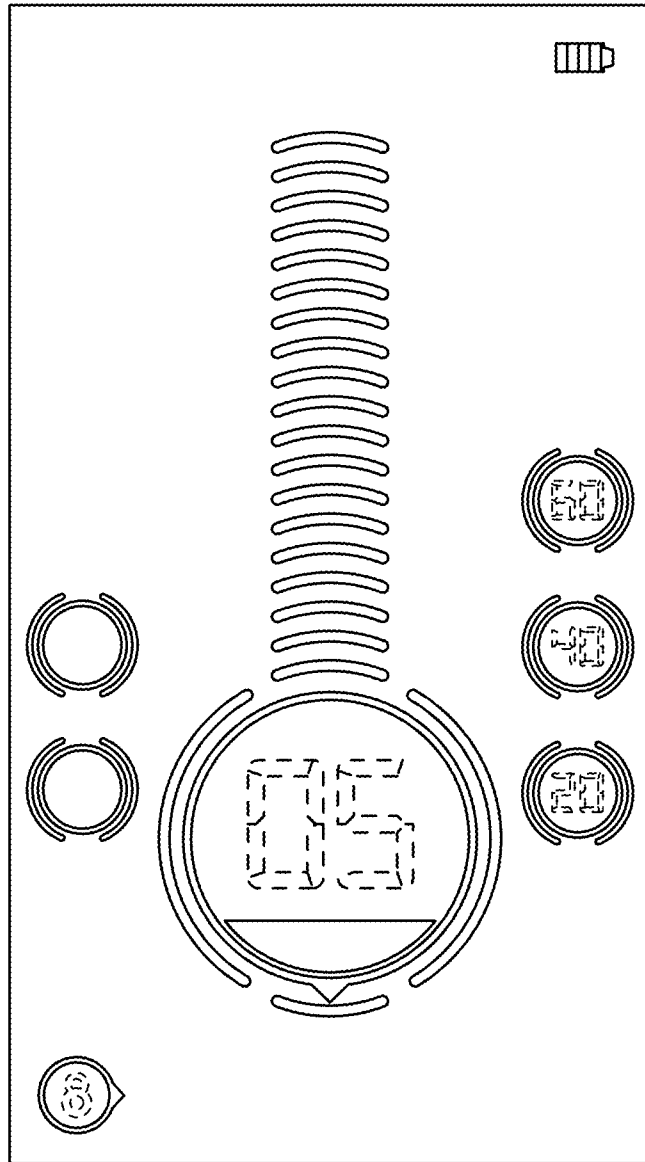


FIG. 5

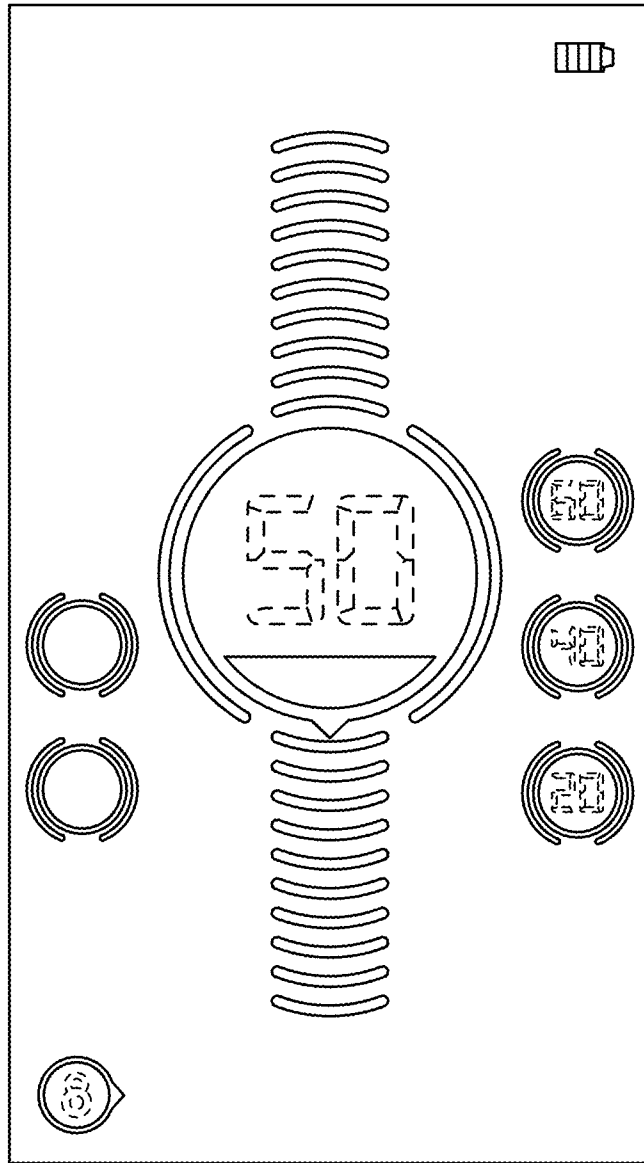


FIG. 6