



(51) International Patent Classification:

A61M 5/24 (2006.01) A61M 39/16 (2006.01)
A61M 15/00 (2006.01) A61M 16/00 (2006.01)

(21) International Application Number:

PCT/EP2011/064166

(22) International Filing Date:

17 August 2011 (17.08.2011)

(25) Filing Language:

English

(26) Publication Language:

English

(30) Priority Data:

61/375,082 19 August 2010 (19.08.2010) US
10188857.6 26 October 2010 (26.10.2010) EP

(71) Applicant (for all designated States except US): **SANOFI-AVENTIS DEUTSCHLAND GMBH** [DE/DE]; Brüningstraße 50, 65929 Frankfurt (DE).

(72) Inventors; and

(75) Inventors/Applicants (for US only): **DAY, Shane, Alistair** [GB/GB]; 25 Sheres Dyche, Warwick, Warwickshire CV34 6BX (GB). **YATES, Barry** [GB/GB]; 1 Towers Close, Kenilworth, Warwickshire CV8 1 (GB). **AVERY, Richard, James, Vincent** [GB/GB]; 28 Nursery Close, Mickleton, Chipping Campden, Gloucestershire GL55 6TX (GB). **MOORE, David** [GB/GB]; 28 Bridle

Path Road, Elmesthorpe, Leicester, Leicestershire LE9 7SA (GB).

(81) Designated States (unless otherwise indicated, for every kind of national protection available): AE, AG, AL, AM, AO, AT, AU, AZ, BA, BB, BG, BH, BR, BW, BY, BZ, CA, CH, CL, CN, CO, CR, CU, CZ, DE, DK, DM, DO, DZ, EC, EE, EG, ES, FI, GB, GD, GE, GH, GM, GT, HN, HR, HU, ID, IL, IN, IS, JP, KE, KG, KM, KN, KP, KR, KZ, LA, LC, LK, LR, LS, LT, LU, LY, MA, MD, ME, MG, MK, MN, MW, MX, MY, MZ, NA, NG, NI, NO, NZ, OM, PE, PG, PH, PL, PT, QA, RO, RS, RU, SC, SD, SE, SG, SK, SL, SM, ST, SV, SY, TH, TJ, TM, TN, TR, TT, TZ, UA, UG, US, UZ, VC, VN, ZA, ZM, ZW.

(84) Designated States (unless otherwise indicated, for every kind of regional protection available): ARIPO (BW, GH, GM, KE, LR, LS, MW, MZ, NA, SD, SL, SZ, TZ, UG, ZM, ZW), Eurasian (AM, AZ, BY, KG, KZ, MD, RU, TJ, TM), European (AL, AT, BE, BG, CH, CY, CZ, DE, DK, EE, ES, FI, FR, GB, GR, HR, HU, IE, IS, IT, LT, LU, LV, MC, MK, MT, NL, NO, PL, PT, RO, RS, SE, SI, SK, SM, TR), OAPI (BF, BJ, CF, CG, CI, CM, GA, GN, GQ, GW, ML, MR, NE, SN, TD, TG).

Declarations under Rule 4.17:

— of inventorship (Rule 4.17(iv))

[Continued on next page]

(54) Title: METHOD AND SYSTEM FOR DETERMINING INFORMATION RELATED TO A DRUG RESERVOIR USING AN ELECTRONIC SENSOR

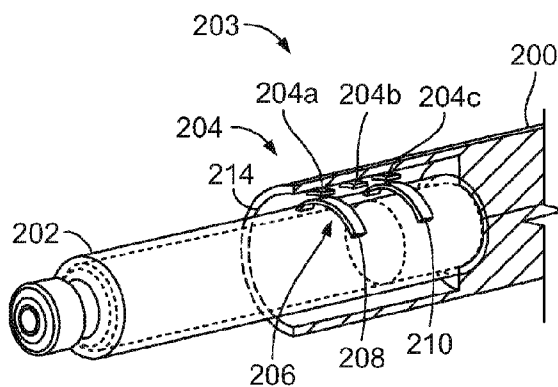


FIG. 2

(57) Abstract: A method and system for detecting information related to a drug reservoir. A medical delivery device (100, 200, 400, 500, 700, 1000, 1100, 1300) may include at least one electronic sensor (204, 204a-c, 502, 1002, 1106a-c) and a decoding module (300). The at least one electronic sensor (204, 204a-c, 502, 1002, 1106a-c) and the decoding module (300) are configured to (i) identify a coding feature (206, 408, 508, 800, 1006, 1010, 1014, 1102) of a drug reservoir (120, 202, 406, 506, 900, 1004, 1104, 306) inserted in the medical delivery device (100, 200, 400, 500, 700, 1000, 1100, 300) and (ii) determine information related to the drug reservoir (120, 202, 406, 506, 900, 1004, 1104, 1306) based on the identified coding feature (206, 408, 508, 800, 1006, 1010, 1014, 1102).





Published:

(88) Date of publication of the international search report:

11 October 2012

- *with international search report (Art. 21(3))*
- *before the expiration of the time limit for amending the claims and to be republished in the event of receipt of amendments (Rule 48.2(h))*

INTERNATIONAL SEARCH REPORT

International application No
PCT/EP2011/064166

A. CLASSIFICATION OF SUBJECT MATTER INV. A61M5/24 A61M15/00 A61M39/16 A61M16/00 ADD.		
According to International Patent Classification (IPC) or to both national classification and IPC		
B. FIELDS SEARCHED		
Minimum documentation searched (classification system followed by classification symbols) A61M		
Documentation searched other than minimum documentation to the extent that such documents are included in the fields searched		
Electronic data base consulted during the international search (name of data base and, where practicable, search terms used) EPO-Internal		
C. DOCUMENTS CONSIDERED TO BE RELEVANT		
Category*	Citation of document, with indication, where appropriate, of the relevant passages	Relevant to claim No.
X,P	WO 2010/092156 A1 (NOVO NORDISK AS [DK]; RASMUSSEN HENRIK [DK]; BERGGREN BO ERIK LENNART) 19 August 2010 (2010-08-19)	1-8, 13-17
A,P	page 3, line 8 - page 10, line 25 page 12, line 17 - page 13, line 13; figures 1,4,6	9-12
X	----- US 2003/006209 A1 (STEFEN BEAT [CH] ET AL STEFFEN BEAT [CH] ET AL) 9 January 2003 (2003-01-09)	1,2,6, 8-12,15, 16
Y	paragraphs [0014] - [0018], [0023] -	18,19
A	[0033]; figures 1-3 ----- -/--	3-5,7, 14,17
<input checked="" type="checkbox"/> Further documents are listed in the continuation of Box C. <input checked="" type="checkbox"/> See patent family annex.		
* Special categories of cited documents :		
"A" document defining the general state of the art which is not considered to be of particular relevance "E" earlier application or patent but published on or after the international filing date "L" document which may throw doubts on priority claim(s) or which is cited to establish the publication date of another citation or other special reason (as specified) "O" document referring to an oral disclosure, use, exhibition or other means "P" document published prior to the international filing date but later than the priority date claimed		"T" later document published after the international filing date or priority date and not in conflict with the application but cited to understand the principle or theory underlying the invention "X" document of particular relevance; the claimed invention cannot be considered novel or cannot be considered to involve an inventive step when the document is taken alone "Y" document of particular relevance; the claimed invention cannot be considered to involve an inventive step when the document is combined with one or more other such documents, such combination being obvious to a person skilled in the art "&" document member of the same patent family
Date of the actual completion of the international search 20 August 2012		Date of mailing of the international search report 29/08/2012
Name and mailing address of the ISA/ European Patent Office, P.B. 5818 Patentlaan 2 NL - 2280 HV Rijswijk Tel. (+31-70) 340-2040, Fax: (+31-70) 340-3016		Authorized officer Messmer, Melitta

INTERNATIONAL SEARCH REPORT

International application No
PCT/EP2011/064166

C(Continuation). DOCUMENTS CONSIDERED TO BE RELEVANT		
Category*	Citation of document, with indication, where appropriate, of the relevant passages	Relevant to claim No.
X	WO 2009/015933 A1 (NOVO NORDISK AS [DK]; NIELSEN SOEREN KRAGH [DK]; BERGGREN BO ERIK [SE]) 5 February 2009 (2009-02-05)	1,15,16, 18
Y	page 3, line 4 - page 6, line 10	19
A	page 8, line 15 - page 13, line 17; figures 1-8	2-14,17
Y	----- WO 03/047657 A2 (DCA DESIGN INT LTD [GB]; WOOLSTON ROBERT [GB]) 12 June 2003 (2003-06-12) page 2, line 23 - line 25 page 3, line 25 - line 31; figure 3	19
A	----- WO 2005/077441 A2 (ARES TRADING SA [CH]; PONGPAIROCHANA VINCENT [CH]; MACLEAN TIMOTHY JOH) 25 August 2005 (2005-08-25) page 11, line 26 - page 12, line 8; figures 1,14	19
Y	----- EP 1 776 975 A2 (LILLY CO ELI [US]) 25 April 2007 (2007-04-25) paragraphs [0049], [0067], [0088] - [0100], [0123]	18
A	----- US 2005/107899 A1 (STEFFEN BEAT [CH]) 19 May 2005 (2005-05-19) paragraph [0034]	15

INTERNATIONAL SEARCH REPORT

Information on patent family members

International application No

PCT/EP2011/064166

Patent document cited in search report	Publication date	Patent family member(s)	Publication date	
WO 2010092156	A1	19-08-2010	CN 102316917 A	11-01-2012
			EP 2396059 A1	21-12-2011
			US 2012101470 A1	26-04-2012
			WO 2010092156 A1	19-08-2010
US 2003006209	A1	09-01-2003	AU 2339601 A	14-08-2001
			US 2003006209 A1	09-01-2003
			WO 0156635 A1	09-08-2001
WO 2009015933	A1	05-02-2009	AT 482433 T	15-10-2010
			CN 101681421 A	24-03-2010
			EP 2158560 A1	03-03-2010
			JP 2010528793 A	26-08-2010
			US 2010194537 A1	05-08-2010
			WO 2009015933 A1	05-02-2009
WO 03047657	A2	12-06-2003	AU 2002350902 A1	17-06-2003
			AU 2009201989 A1	11-06-2009
			BR 0214763 A	09-11-2004
			CA 2469070 A1	12-06-2003
			CN 1599589 A	23-03-2005
			EP 1455728 A2	15-09-2004
			HK 1076243 A1	28-09-2007
			HR P20040522 A2	31-10-2004
			HU 0402615 A2	28-06-2005
			JP 4705327 B2	22-06-2011
			JP 2005511152 A	28-04-2005
			KR 20050058273 A	16-06-2005
			MX PA04005274 A	12-12-2005
			US 2003109845 A1	12-06-2003
			US 2006207959 A1	21-09-2006
			US 2010004617 A1	07-01-2010
			WO 03047657 A2	12-06-2003
			ZA 200404344 A	17-10-2005
WO 2005077441	A2	25-08-2005	AT 551086 T	15-04-2012
			AU 2005211953 A1	25-08-2005
			AU 2011201635 A1	28-04-2011
			BR PI0507550 A	03-07-2007
			CA 2554677 A1	25-08-2005
			CA 2767913 A1	25-08-2005
			CA 2767916 A1	25-08-2005
			CN 1921899 A	28-02-2007
			DK 2298391 T3	14-05-2012
			EA 200601519 A1	29-12-2006
			EP 1715904 A2	02-11-2006
			EP 2298391 A1	23-03-2011
			ES 2385140 T3	18-07-2012
			HR P20120360 T1	31-05-2012
			IL 177375 A	31-05-2011
			IL 205525 A	28-06-2012
			JP 2007522853 A	16-08-2007
			JP 2012050847 A	15-03-2012
			KR 20060111709 A	27-10-2006
			NZ 548819 A	28-05-2010
			PT 2298391 E	02-05-2012
			SI 2298391 T1	29-06-2012
			US 2007197968 A1	23-08-2007

INTERNATIONAL SEARCH REPORT

Information on patent family members

International application No

PCT/EP2011/064166

Patent document cited in search report	Publication date	Patent family member(s)	Publication date
		US 2010160857 A1	24-06-2010
		US 2011201998 A1	18-08-2011
		WO 2005077441 A2	25-08-2005
		ZA 200605750 A	25-04-2007

EP 1776975	A2	25-04-2007	AT 355093 T
			AT 513570 T
			AU 2007201751 A1
			AU 2009201855 A1
			CA 2445511 A1
			CA 2689017 A1
			CA 2689020 A1
			CA 2689022 A1
			DE 60218452 T2
			DK 1392377 T3
			DK 1776975 T3
			EP 1392377 A2
			EP 1776975 A2
			EP 2258424 A2
			EP 2258425 A2
			EP 2275158 A2
			ES 2282434 T3
			JP 4283545 B2
			JP 4955632 B2
			JP 2005508205 A
			JP 2009022768 A
			JP 2012030107 A
			PT 1392377 E
			PT 1776975 E
			US 2004210199 A1
			US 2007123829 A1
			US 2010106098 A1
			WO 02092153 A2

US 2005107899	A1	19-05-2005	AU 2339701 A
			US 2002177923 A1
			US 2005107899 A1
			WO 0156636 A1
