



US00D600765S

(12) **United States Design Patent**  
**Llewellyn et al.**

(10) **Patent No.:** **US D600,765 S**

(45) **Date of Patent:** **\*\* Sep. 22, 2009**

(54) **BACK DESIGN FOR AN IRON GOLF CLUB HEAD**

(75) Inventors: **David Llewellyn**, Duluth, GA (US);  
**Richard Delvac**, Lawrenceville, GA (US);  
**Isamu Toshinari**, Osaka (JP);  
**Tomooki Aoki**, Osaka (JP)

(73) Assignee: **Mizuno USA, Inc.**, Norcross, GA (US)

(\*\*) Term: **14 Years**

(21) Appl. No.: **29/330,012**

(22) Filed: **Dec. 24, 2008**

(51) **LOC (9) Cl.** ..... **21-02**

(52) **U.S. Cl.** ..... **D21/759**

(58) **Field of Classification Search** ..... D21/747-751,  
D21/759; 473/324-331, 350

See application file for complete search history.

(56) **References Cited**

U.S. PATENT DOCUMENTS

D404,780 S *	1/1999	Long	.....	D21/749
D456,056 S *	4/2002	Bakke	.....	D21/747
D539,863 S *	4/2007	Nunez et al.	.....	D21/748
D556,279 S *	11/2007	Lorentzen et al.	.....	D21/747
D591,373 S *	4/2009	Foster et al.	.....	D21/747
D591,808 S *	5/2009	Clausen et al.	.....	D21/747

\* cited by examiner

*Primary Examiner*—Mitchell I Siegel

(74) *Attorney, Agent, or Firm*—Troutman Sanders LLP;  
James Hunt Yancey, Jr.

(57) **CLAIM**

The ornamental design for a back design for an iron golf club head, as shown and described.

**DESCRIPTION**

FIG. 1 illustrates a rear view of a new design of an iron golf club head depicting a triangular-shaped back wall set off from the rear face of the iron golf club head and a badge, including a Y-shaped pad, applied to the rear face of the iron golf club head;

FIG. 2 is a top-rear view of the design shown in FIG. 1 depicting a cavity formed between the rear face of the iron golf club head and the triangular shaped back wall and depicting the badge applied to the rear face of the iron golf club head;

FIG. 3 is a slanted-perspective-rear view of the design shown in FIG. 1 depicting the cavity formed between the rear face and the triangular-shaped back wall;

FIG. 4 is a bottom-perspective view of the design shown in FIG. 1 depicting a bottom perspective of the triangular-shaped back wall;

FIG. 5 is a perspective view of the design shown in FIG. 1 taken from the heel depicting the rear face of the iron golf club head, the triangular-shaped back wall, the cavity formed between the rear face of the iron golf club head and the triangular-shaped back wall, and the badge applied to the rear face of the iron golf club head;

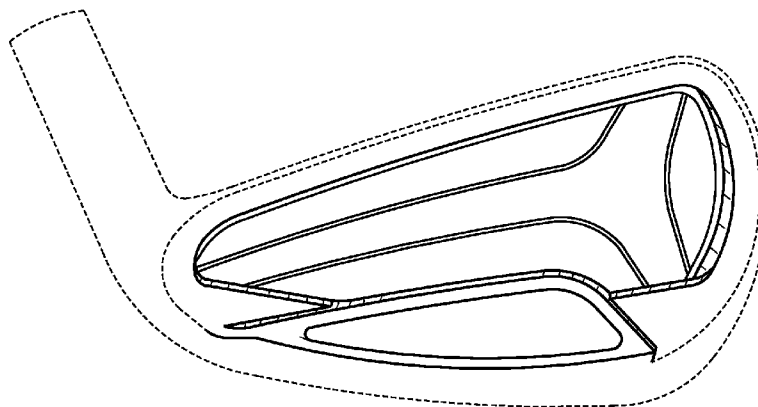
FIG. 6 is a perspective view of the design shown in FIG. 1 taken from the toe depicting the rear face of the iron golf club head, the triangular-shaped back wall, the cavity formed between the rear face and the triangular-shaped back wall, and the badge applied to the rear face of the iron golf club head;

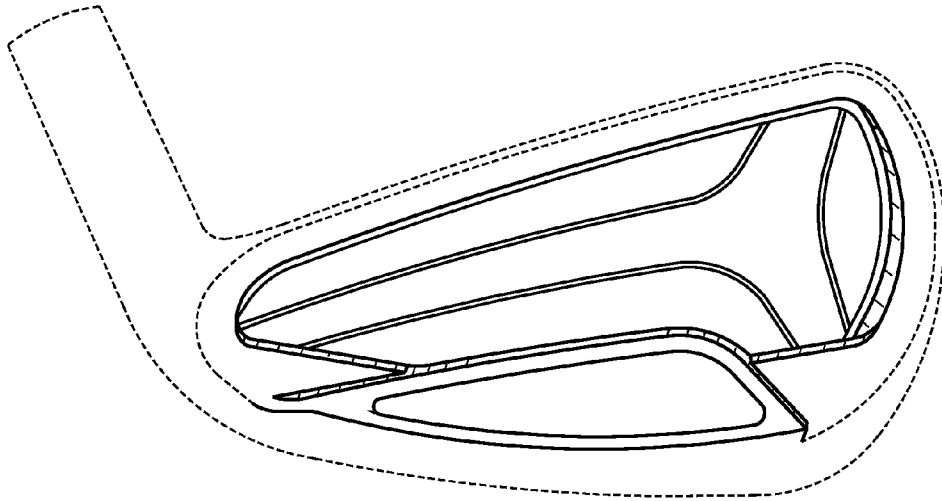
FIG. 7 is a perspective view of the design shown in FIG. 1 taken from the top depicting the rear face of the iron golf club head, the triangular-shaped back wall, the cavity formed between the rear face and the triangular-shaped back wall, and the badge applied to the rear face of the iron golf club head; and,

FIG. 8 is a rear-vertical perspective view of design shown in FIG. 1 depicting the rear face of the iron golf club head, the triangular-shaped back wall, the cavity formed between the rear face and the triangular-shaped back wall, and the badge applied to the rear face of the iron golf club head.

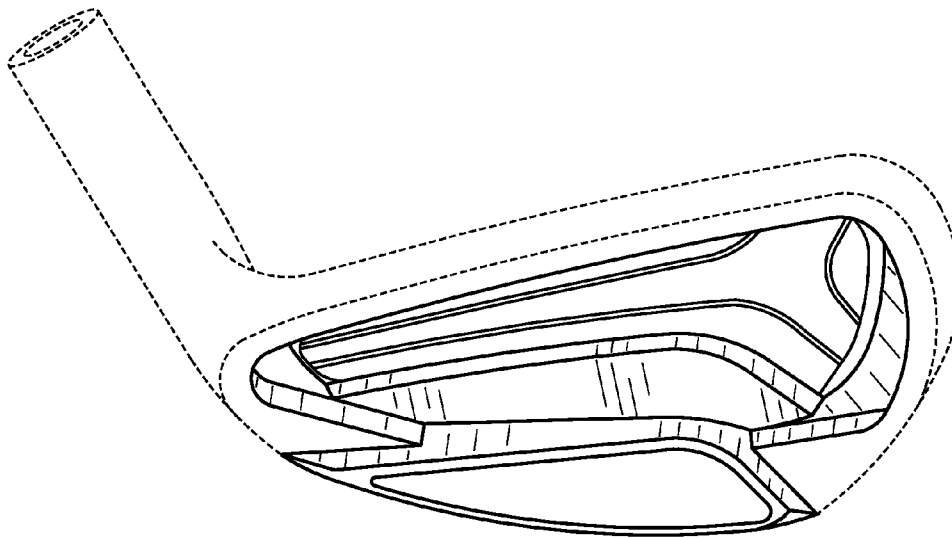
The broken, dashed lines shown in the various figures depicting embodiments of the invention are included for the purpose of illustrating context and do not form any part of the claimed design. In some embodiments, however, the broken, dashed lines may be present in an iron golf club head.

**1 Claim, 4 Drawing Sheets**





*Fig. 1*



*Fig. 2*

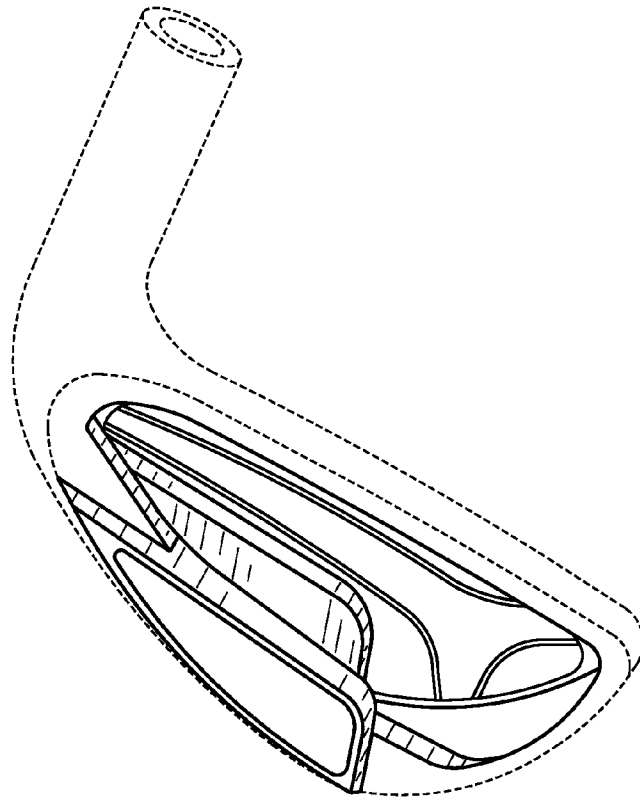


Fig. 3

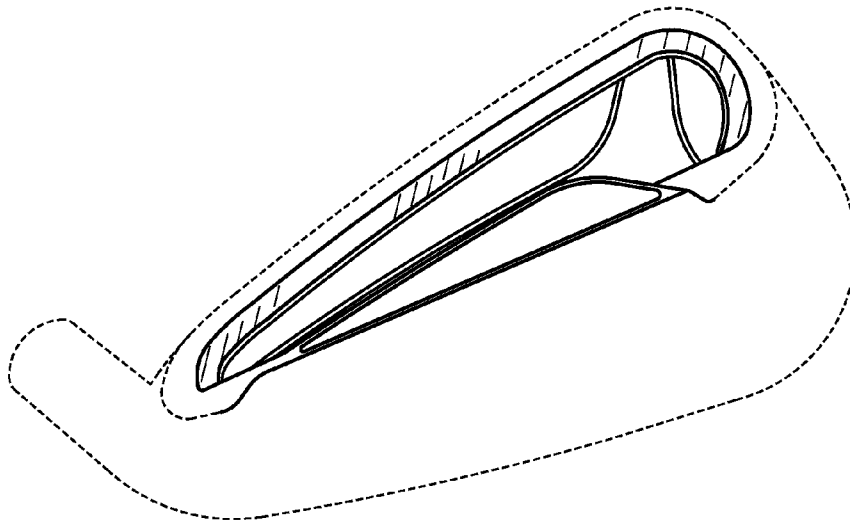
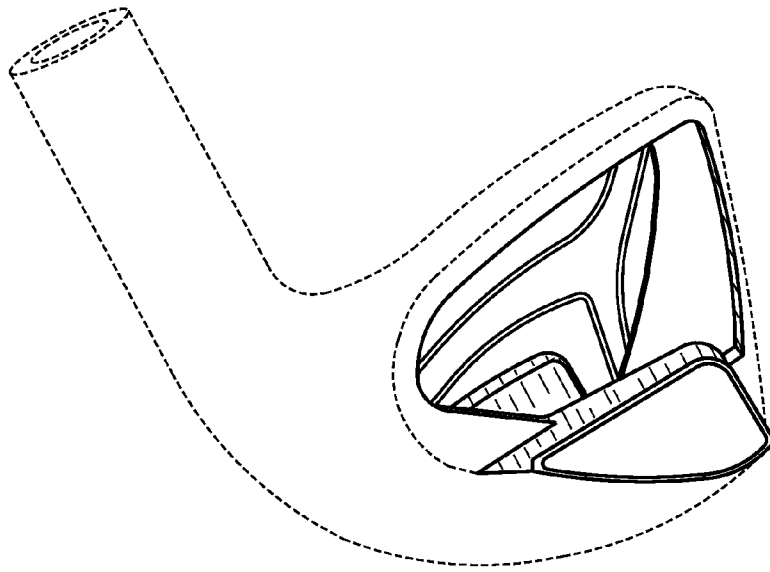
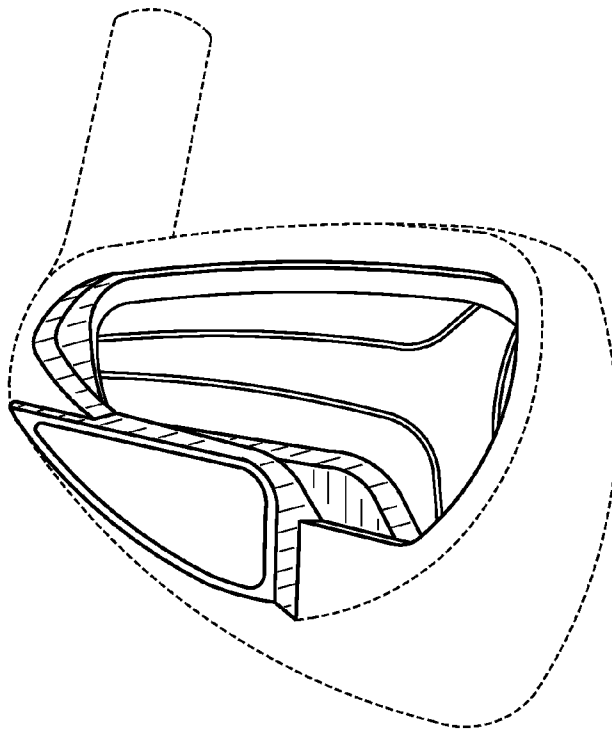


Fig. 4



*Fig. 5*



*Fig. 6*

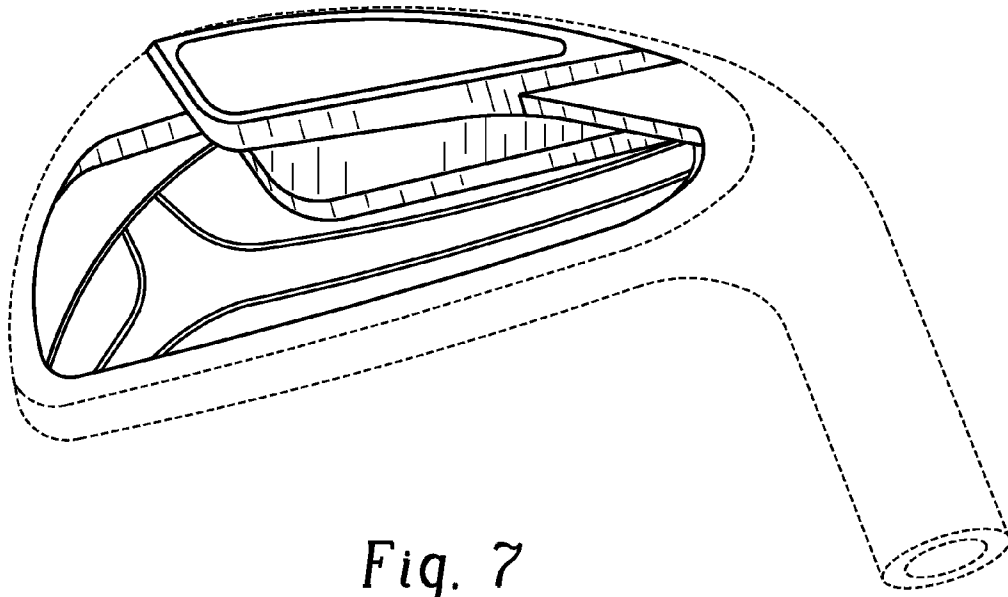


Fig. 7

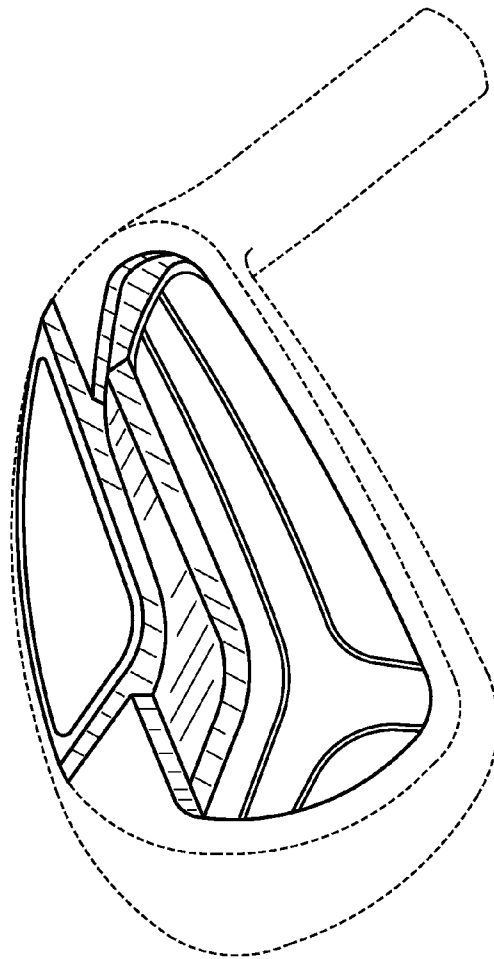


Fig. 8