

(19) World Intellectual Property Organization
International Bureau



(43) International Publication Date
21 September 2006 (21.09.2006)

PCT

(10) International Publication Number
WO 2006/099324 A1

- (51) **International Patent Classification:**
H04L 27/26 (2006.01)
- (21) **International Application Number:**
PCT/US2006/008949
- (22) **International Filing Date:** 10 March 2006 (10.03.2006)
- (25) **Filing Language:** English
- (26) **Publication Language:** English
- (30) **Priority Data:**
60/660,887 10 March 2005 (10.03.2005) US
- (71) **Applicant (for all designated States except US):** QUALCOMM INCORPORATED [US/US]; 5775 Morehouse Drive, San Diego, CA 92121 (US).
- (72) **Inventors; and**
- (75) **Inventors/Applicants (for US only):** KRISHNAMOORTHY, Raghuraman [IN/US]; 8730 Costa Verde Boulevard, #2302, San Diego, CA 92122 (US). LING, Fuyun [US/US]; 17264 Sangallo Lane, San Diego, CA 92127 (US). VIJAYAN, Rajiv [US/US]; 9604 Babauta Road, San Diego, CA 92129 (US).
- (74) **Agents:** WADSWORTH, Philip, R. et al.; 5775 Morehouse Drive, San Diego, CA 92121 (US).

- (81) **Designated States (unless otherwise indicated, for every kind of national protection available):** AE, AG, AL, AM, AT, AU, AZ, BA, BB, BG, BR, BW, BY, BZ, CA, CH, CN, CO, CR, CU, CZ, DE, DK, DM, DZ, EC, EE, EG, ES, FI, GB, GD, GE, GH, GM, HR, HU, ID, IL, IN, IS, JP, KE, KG, KM, KN, KP, KR, KZ, LC, LK, LR, LS, LT, LU, LV, LY, MA, MD, MG, MK, MN, MW, MX, MZ, NA, NG, NI, NO, NZ, OM, PG, PH, PL, PT, RO, RU, SC, SD, SE, SG, SK, SL, SM, SY, TJ, TM, TN, TR, TT, TZ, UA, UG, US, UZ, VC, VN, YU, ZA, ZM, ZW.
- (84) **Designated States (unless otherwise indicated, for every kind of regional protection available):** ARIPO (BW, GH, GM, KE, LS, MW, MZ, NA, SD, SL, SZ, TZ, UG, ZM, ZW), Eurasian (AM, AZ, BY, KG, KZ, MD, RU, TJ, TM), European (AT, BE, BG, CH, CY, CZ, DE, DK, EE, ES, FI, FR, GB, GR, HU, IE, IS, IT, LT, LU, LV, MC, NL, PL, PT, RO, SE, SI, SK, TR), OAPI (BF, BJ, CF, CG, CI, CM, GA, GN, GQ, GW, ML, MR, NE, SN, TD, TG).

Declarations under Rule 4.17:

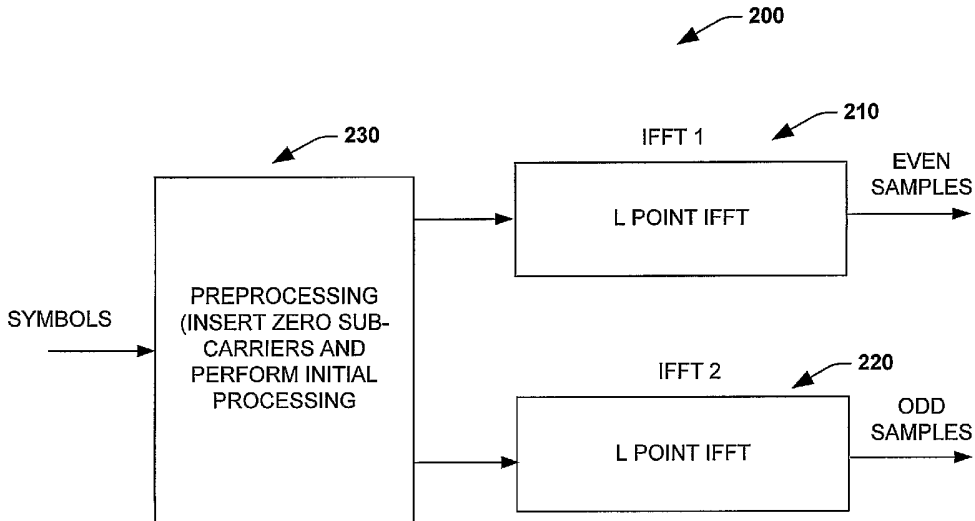
- as to applicant's entitlement to apply for and be granted a patent (Rule 4.17(ii))
- as to the applicant's entitlement to claim the priority of the earlier application (Rule 4.17(iii))

Published:

- with international search report

[Continued on next page]

(54) **Title:** EFFICIENT EMPLOYMENT OF DIGITAL UPSAMPLING USING IFFT IN OFDM SYSTEMS FOR SIMPLER ANALOG FILTERING



(57) **Abstract:** Systems and methods are provided for transmitting OFDM information via IFFT up-sampling components that transmit data at a higher sampling rate than conventional systems to simplify filter requirements and mitigate leakage between symbols. In one embodiment, an NL point IFFT is performed on a zero inserted set of frequency domain symbols. In another embodiment, the NL point IFFT is further optimized by exploiting the fact that (N-I) L of the frequency domain symbols are zero. This enables an embodiment that consists of a pre-processor that multiplies the input samples by complex phase factors, followed by L point IFFTs.

WO 2006/099324 A1



-
- *before the expiration of the time limit for amending the claims and to be republished in the event of receipt of amendments*
- For two-letter codes and other abbreviations, refer to the "Guidance Notes on Codes and Abbreviations" appearing at the beginning of each regular issue of the PCT Gazette.*

EFFICIENT EMPLOYMENT OF DIGITAL UPSAMPLING USING IFFT IN OFDM SYSTEMS FOR SIMPLER ANALOG FILTERING

CROSS REFERENCE TO RELATED APPLICATION

[0001] This application claims the benefit of U.S. Provisional Patent Application Serial No. 60/660,887 filed on March 10, 2005, entitled "Digital upsampling using IFFT" the entirety of which is incorporated herein by reference.

BACKGROUND

I. Field

[0002] The subject technology relates generally to communications systems and more particularly to systems and methods that transmit OFDM information by performing sub-carrier transform operations for transmitters over a higher bandwidth of transmitted samples.

II. Background

[0003] Orthogonal frequency-division multiplexing (OFDM) is a method of digital modulation in which a signal is split into several narrowband channels at different frequencies. The technology was first conceived during research into minimizing interference among channels near each other in frequency. In some respects, OFDM is similar to conventional frequency-division multiplexing (FDM). The difference lies in the way in which the signals are modulated and demodulated. Generally, priority is given to minimizing the interference, or crosstalk, among the channels and symbols comprising the data stream. Less importance is placed on perfecting individual channels.

[0004] In one area, OFDM has also been used in European digital audio broadcast services. The technology lends itself to digital television, and is being considered as a method of obtaining high-speed digital data transmission over conventional telephone lines. It is also used in wireless local area networks. Orthogonal Frequency Division Multiplexing can be considered an FDM modulation technique for transmitting large amounts of digital data over a radio wave where OFDM operates by splitting a radio signal into multiple smaller sub-signals or sub-carriers that are then transmitted simultaneously at different frequencies to the receiver. One advantage of OFDM technology is that it reduces the amount of crosstalk in signal transmissions where

current specifications such as 802.11a WLAN, 802.16 and WiMAX technologies employ various OFDM aspects.

[0005] Traditional OFDM transmitters generally consist of an Inverse Fast Fourier Transform (IFFT) component followed by cyclic prefix addition. This operation is performed at the Nyquist rate at the transmitter which leads to very tight filtering requirements after digital to analog conversion (DAC) in order to remove images separated at the sampling frequency. Such filtering can be achieved in the analog or digital domain but the requirements for tight filtering cause several problems. One obvious problem is the cost associated with implementing a tight or steep filter. For instance, a first order filter would provide plus or minus 20 db per decade of filter roll-off near the corner frequency of the filter. Steeper or tighter 2nd or third order filters would provide 40db or 60 db per decade roll-off respectively and are typically more complex to implement thus increasing filter cost. Implementing filtering in the digital domain leads to long filter lengths, increasing complexity. Also, filtering in the analog or digital domains reduces the resiliency of the transmitted OFDM signal to channel distortions.

SUMMARY

[0006] The following presents a simplified summary of various embodiments in order to provide a basic understanding of some aspects of the embodiments. This summary is not an extensive overview. It is not intended to identify key/critical elements or to delineate the scope of the embodiments disclosed herein. Its sole purpose is to present some concepts in a simplified form as a prelude to the more detailed description that is presented later.

[0007] Systems and methods are provided for transmitting Orthogonal frequency-division multiplexing (OFDM) information via digital up-sampling that employs an Inverse Fast Fourier Transform (IFFT) at the transmitter output which generates samples at a higher sampling rate compared to conventional systems to mitigate transmitter filter requirements. In one embodiment, the IFFT processes OFDM sub-carriers or symbols to generate samples at one or more multiples above the Nyquist sampling rate at the transmitter output which mitigates strident filter requirements and potential leakage between sub-carriers. One implementation includes cascaded Fast Fourier Transforms (IFFT's) which are adapted to perform an IFFT function for the transmitter output. Since the output sample rate is a multiple of the Nyquist rate, a

subset of the inputs to the IFFT is generally always zero. For instance, to generate samples at twice the Nyquist rate, half of the input symbols to the IFFT are zero. The cascade then performs IFFT's over twice (or more multiples) of the desired Nyquist bandwidth which markedly reduces filtering requirements at the transmitter. Thus, an efficient process can be provided for implementing up-sampling in an OFDM system that performs the IFFT over a higher bandwidth of samples in order that the samples generated out of the IFFT are already at a multiple of the Nyquist rate. This is contrasted from traditional up-sampling of a digital signal. In this embodiment, there is no memory across OFDM symbols. The embodiment of the IFFT over the higher bandwidth can be further simplified by exploiting the fact that a subset (*e.g.*, half) of the sub-carriers are zeroed. It is noted that the systems and methods described herein are not restricted to wireless systems and are applicable to all OFDM/DMT systems.

[0008] To the accomplishment of the foregoing and related ends, certain illustrative embodiments are described herein in connection with the following description and the annexed drawings. These aspects are indicative of various ways in which the embodiments may be practiced, all of which are intended to be covered.

BRIEF DESCRIPTION OF THE DRAWINGS

[0009] Fig. 1 is a schematic block diagram illustrating an up-sampling IFFT generator for a wireless network.

[0010] Fig. 2 an example system for performing high bandwidth up-sampling.

[0011] Fig. 3 illustrates an example architecture for configuring a cascaded stage Inverse Fast Fourier Transform (IFFT) block.

[0012] Fig. 4 illustrates an example automatic frequency control block that employs a frequency value determined from a one-shot frequency estimator block.

[0013] Fig. 5 illustrates an example system that performs higher bandwidth transmitter sampling.

[0014] Fig. 6 illustrates an alternative example system that performs higher bandwidth transmitter sampling.

[0015] Fig. 7 illustrates an example process that performs higher bandwidth transmitter sampling.

[0016] Fig. 8 is a diagram illustrating an example user device for a wireless system.

[0017] Fig. 9 is a diagram illustrating an example base station for a wireless system.

[0018] Fig. 10 is a diagram illustrating an example transceiver for a wireless system.

DETAILED DESCRIPTION

[0019] Systems and methods are provided for transmitting OFDM information via IFFT up-sampling components that transmit data over a higher band width than conventional systems to simply filter requirements and mitigate leakage between symbols. In one embodiment, a method is provided for transmitting OFDM symbols. . The method includes zero padding the sub-carriers prior to performing an IFFT to generate samples at N times the Nyquist rate, where N is an integer greater than or equal to 2. This is helpful in mitigating filter requirements and inter symbol interference (ISI).

[0020] As used in this application, the terms “component,” “network,” “system,” and the like are intended to refer to a computer-related entity, either hardware, a combination of hardware and software, software, or software in execution. For example, a component may be, but is not limited to being, a process running on a processor, a processor, an object, an executable, a thread of execution, a program, and/or a computer. By way of illustration, both an application running on a communications device and the device can be a component. One or more components may reside within a process and/or thread of execution and a component may be localized on one computer and/or distributed between two or more computers. Also, these components can execute from various computer readable media having various data structures stored thereon. The components may communicate over local and/or remote processes such as in accordance with a signal having one or more data packets (e.g., data from one component interacting with another component in a local system, distributed system, and/or across a wired or wireless network such as the Internet).

[0021] **Fig. 1** illustrates an up-sampling IFFT generator for a wireless network and system 100. The system 100 includes one or more transmitters 110 that communicate across a wireless network to one or more receivers 120. The receivers 120 can include substantially any type of communicating device such as a cell phone, computer, personal assistant, hand held or laptop devices, and so forth. An Inverse Fast Fourier Transform (IFFT) up-sampling component 130 is provided to transmit an OFDM time domain sample set 140 at multiples of the Nyquist rate namely at N multiples above conventional Nyquist sampling rates. This is achieved by applying a frequency domain

set of symbols at 150 to the IFFT component 130, where input to the IFFT can include adding a subset of zeros at 140. As illustrated, a clock 160 is provided and operates at N multiples of the Nyquist sampling rate. For instance, if 4096 symbols at 150 were to be transmitted over a given timeframe, the clock would be increased such that 8192 samples were transmitted over the same period at 140. By transmitting data at a higher sampling rate, filter requirements can be simplified. This also facilitates inter symbol interference since reduced filter requirements mitigate leakage between symbols. It is noted that the higher bandwidth sampling concepts described herein can be applied to wired and/or wireless communications systems. The system 100 supports a process for transmitting Orthogonal Frequency-Division Multiplexing (OFDM) broadcast information. This includes determining a subset of carriers at 150 to broadcast in an OFDM wireless network and performing a transform at N sample multiples over the subset of carriers at 130 to mitigate filter requirements or noise generation in the wireless network, where N is an integer greater than or equal to 2. This includes processing at least one subset of carriers as desired information and at least one other subset of carriers as zeros at 140.

[0022] In one embodiment, an IFFT performs up-sampling, where a subset of zeros are inserted at 130 to extend the number of frequency domain symbols 150. Further optimization of the IFFT structure that performs up-sampling can be achieved by noting that a significant portion of the frequency domain signals are zero. By exploiting this aspect, a first stage of an NL point IFFT (described below) can be simplified such that the final implementation only requires N, L-point IFFTs with some pre-processing. As will be described in more detail below, a pre-processor receives L input symbols and multiplies them by complex twiddle factors to generate the inputs to the L-point IFFTs. In another embodiment, the system 100 is employed for transmitting OFDM information in a network. The system includes means for transmitting a symbol stream (110); means for transforming the symbol stream according to at least two multiples of a Nyquist sampling rate (130); and means for receiving the symbol stream in the network (120).

[0023] **Fig. 2** illustrates an example system 200 for performing high bandwidth up-sampling. In this example, two Fast Fourier Transform (FFT) blocks (*e.g.*, 4096) are shown at 210 and 220, where the respective FFT blocks are adapted to perform Inverse FFT's or IFFT's. It is noted that the system 200 is merely shown as an illustrative

example and that more generalized systems can be employed having different block configurations than the example. As illustrated, the block at 210 represents an IFFT subset block that generates even samples of a wireless transmitter output. If $x(n)$ is the final transmitted sequence, block 210 produces the sequence $x(2n)$. At 220, a second block performs IFFT's to generate the sequence $x(2n+1)$. As shown, a pre-processing block 230 is employed to process a plurality of frequency domain symbols (*e.g.*, 4096) in this example, insert zero sub-carriers as will be described below, perform initial processing, and generate appropriate inputs to the IFFT blocks 210 and 220. It is noted that the subject technology described herein employs IFFT up-sampling that is at least 2 sample multiples over a conventional up-sampled system.

[0024] Fig. 3 illustrates an example architecture 300 for configuring a cascaded stage Inverse Fast Fourier Transform (IFFT) block. At 310, a target sample rate is selected. In order to generate samples at N times the Nyquist rate, L frequency domain symbols are extended to NL frequency domain symbols by zero insertion at 320. In one specific example, For $N=2$ and $L=4096$, this zero insertion range is shown in Fig. 4. Referring back to Fig. 3, after determining zero insertion requirements at 320, preprocessing and IFFT logic is determined as will be described on more detail below with respect to Fig. 5. The extended frequency domain symbols are processed using a NL point IFFT which can be decomposed into L , N -point IFFTs followed by twiddle multiplication and N , L -point IFFTs. This leads to a simpler design of the analog filters following the digital to analog converter (DAC) at the output of the transmitter.

[0025] Fig. 5 illustrates an example system 500 that performs higher bandwidth transmitter sampling. For an OFDM system with L sub-carriers, a block of N , L point IFFTs are employed as shown at 510 to convert coded bits 520 to respective time domain samples, where the coded bits 520 represent frequency domain symbols and are stored in a symbol map 524. In order to perform an up-sampling by N using IFFTs, an NL point IFFT is performed. From the basic theory of IFFTs, an NL point IFFT can be decomposed into L , N -point IFFTs followed by a twiddle multiplication via multiplier blocks at 530 and N , L -point IFFTs at 510. Also, since only L frequency domain symbols/ OFDM symbol are being transmitted, generally only L of the NL inputs to the NL point IFFT are non-zero. Therefore, the first L , N -point IFFTs can be optimized. The outputs of the L , N -point IFFTs can be computed easily as the input multiplied by an additional twiddle factor as derived below. This is an additional saving in

complexity, on top of the savings in filtering complexity due to using the IFFT to produce samples at a higher rate. It is noted that the outputs of the N L-point IFFTs following the first stage produce the samples $x(nN)$, $x(nN+1)$, $x(nN+2)$ upto $x(nN+(N-1))$ respectively. These outputs are then arranged sequentially at 540 to produce the output samples in the correct order.

[0026] After samples are arranged sequentially, pre-processing 550 such as windowing and cyclic prefix addition is performed before the time domain samples are supplied to a digital to analog converter (DAC) for transmission. As illustrated, coded bits are supplied to the symbol map at 524 which produces an output $X[k]$. Output $X[k]$ drives multiplier blocks 530 to produce $G[k]$ that drives the block of N, L-Point IFFT blocks at 510. Output from the IFFT blocks 510 is sent to a component that performs sequential arrangement of data at 540 and provides output to a post processor 550 at an increased multiple of the Nyquist rate.

[0027] In general, if the inputs to the NL point IFFT are referred as $Z(k)$ and the L symbols to be sent as $X(k)$, $Z(k)$ is related to $X(k)$ as follows:

$$\begin{aligned} Z(k) &= X(k) & 0 \leq k < L/2 \\ Z(k) &= X(k - (N-1).L) & LN-L/2 \leq k < LN \\ Z(k) &= 0 & \text{otherwise} \end{aligned}$$

[0028] Mathematically, time domain samples $x(n)$ can be related to the sub-carrier inputs as:

$$\begin{aligned} x(n) &= \sum_{k=0}^{LN-1} Z(k) W_{LN}^{-kn}, \quad n = 0 \dots LN - 1., \quad W_N = e^{-j\frac{2\pi}{N}} \\ x(Nn + q) &= \sum_{k=0}^{L-1} \sum_{p=0}^{N-1} Z(k + pL) W_{LN}^{-(k+pL).(Nn+q)} \\ x(Nn + q) &= \sum_{k=0}^{L-1} \sum_{p=0}^{N-1} Z(k + pL) W_N^{-pq} . W_{LN}^{-pq} . W_L^{-kn} \\ x(Nn + q) &= \sum_{k=0}^{L-1} W_L^{-kn} \left(\sum_{p=0}^{N-1} Z(k + pL) W_N^{-pq} \right) W_{LN}^{-kq} . \\ x(Nn + q) &= \sum_{k=0}^{L-1} W_L^{-kn} G_q[k] \end{aligned}$$

[0029] It is noted that because most of the sub-carriers are zero, the equation for $G_q[k]$ simplifies to:

Equation 1

$$\begin{aligned}
 G_q[k] &= \left(\sum_{p=0}^{N-1} Z(k + pL) W_N^{-pq} \right) W_{LN}^{-kq} \\
 &= Z(k) W_{LN}^{-kq} && 0 \leq k < L/2 \\
 \text{[0030]} \quad &= Z(k + (N-1)L) W_N^{-(N-1)q} W_{LN}^{-kq} && L/2 \leq k < L \\
 &= X(k) W_{LN}^{-kq} && 0 \leq k < L/2 \\
 &= X(k) W_N^{-(N-1)q} W_{LN}^{-kq} && L/2 \leq k < L
 \end{aligned}$$

[0031] As an example, consider L= 4096, N=2

Therefore,

$$\begin{aligned}
 G_0[k] &= X(k) && 0 \leq k < L \\
 G_1[k] &= X(k) W_{2L}^{-k} && 0 \leq k < L/2 \\
 &= X(k) W_2^{-1} W_{2L}^{-k} && L/2 \leq k < L \\
 &= -X(k) W_{2L}^{-k} && L/2 \leq k < L
 \end{aligned}$$

[0032] Fig. 6 illustrates a specific example system 600 that performs higher bandwidth transmitter sampling, where L = 4096 and N = 2. Coded bits are supplied to a symbol map 610 which fills an even sample IFFT block 620 and an odd sample IFFT block 630 which is also driven by a multiply function at 640. Output from the IFFT blocks 620 and 630 is sent to a component that performs sequential arrangement of data at 650 and provides output to a post processor 660 at twice the Nyquist rate. The post processor 660 can provide aspects such as sample windowing and cyclic prefix addition before driving a digital to analog converter (DAC).

[0033] In general, up-sampling can be performed using an IFFT that leads to an implementation with lower complexity, both in terms of easier analog filtering and easier digital filtering. It is noted that performing up-sampling using an IFFT does not employ memory across OFDM symbols. Therefore, this embodiment does not reduce the margin of the OFDM /DMT system to channel delay spread. The IFFT can be further simplified by decomposing it into L N-point IFFTs followed by N L-point IFFTs as noted above with respect to Fig. 5.

[0034] Figs. 7 illustrates an example IFFT transmission processes for wireless systems. While, for purposes of simplicity of explanation, the methodology is shown and described as a series or number of acts, it is to be understood and appreciated that

the processes described herein are not limited by the order of acts, as some acts may occur in different orders and/or concurrently with other acts from that shown and described herein. For example, those skilled in the art will understand and appreciate that a methodology could alternatively be represented as a series of interrelated states or events, such as in a state diagram. Moreover, not all illustrated acts may be required to implement a methodology in accordance with the subject methodologies disclosed herein.

[0035] Fig. 7 illustrates an example IFFT transmission process 700. Proceeding to 710, decompose NL point IFFTs into cascade of N L-point IFFTs and L N-Point IFFTs.. . At 720, transmitter input data is determined. Such data can include voice or computer communications data to be transmitted across a wireless network. At 730, pre-process input data and optimize pre-processing by taking zero sub-carriers into account. At 740, perform N L-Point IFFTs. At 750, up-sampled data is transmitted at an increased sample rate to one or more receivers.

[0036] Fig. 8 is an illustration of a user device 800 that is employed in a wireless communication environment, in accordance with one or more aspects set forth herein. User device 800 comprises a receiver 802 that receives a signal from, for instance, a receive antenna (not shown), and performs typical actions thereon (*e.g.*, filters, amplifies, down converts, *etc.*) the received signal and digitizes the conditioned signal to obtain samples. Receiver 802 can be a non-linear receiver. A demodulator 804 can demodulate and provide received pilot symbols to a processor 806 for channel estimation. Processor 806 can be a processor dedicated to analyzing information received by receiver 802 and/or generating information for transmission by a transmitter 816, a processor that controls one or more components of user device 800, and/or a processor that both analyzes information received by receiver 802, generates information for transmission by transmitter 816, and controls one or more components of user device 800. User device 800 can additionally comprise memory 808 that is operatively coupled to processor 806.

[0037] It will be appreciated that the data store (*e.g.*, memories) components described herein can be either volatile memory or nonvolatile memory, or can include both volatile and nonvolatile memory. By way of illustration, and not limitation, nonvolatile memory can include read only memory (ROM), programmable ROM (PROM), electrically programmable ROM (EPROM), electrically erasable ROM (EEPROM), or flash memory. Volatile memory can include random access memory

(RAM), which acts as external cache memory. By way of illustration and not limitation, RAM is available in many forms such as synchronous RAM (SRAM), dynamic RAM (DRAM), synchronous DRAM (SDRAM), double data rate SDRAM (DDR SDRAM), enhanced SDRAM (ESDRAM), Synchlink DRAM (SLDRAM), and direct Rambus RAM (DRRAM). The memory 808 of the subject systems and methods is intended to comprise, without being limited to, these and any other suitable types of memory. User device 800 further comprises a background monitor 814 for processing data, a symbol modulator 814 and a transmitter 816 that transmits the modulated signal.

[0038] **Fig. 9** illustrates an example system 900 that comprises a base station 902 with a receiver 910 that receives signal(s) from one or more user devices 904 through a plurality of receive antennas 906, and a transmitter 924 that transmits to the one or more user devices 904 through a transmit antenna 908. Receiver 910 can receive information from receive antennas 906 and is operatively associated with a demodulator 912 that demodulates received information. Demodulated symbols are analyzed by a processor 914 and which is coupled to a memory 916 that stores information related to user ranks, lookup tables related thereto, and/or any other suitable information related to performing the various actions and functions set forth herein. A modulator 922 can multiplex a signal for transmission by a transmitter 924 through transmit antenna 908 to user devices 904.

[0039] **Fig. 10** shows an exemplary wireless communication system 1000. The wireless communication system 1000 depicts one base station and one terminal for sake of brevity. However, it is to be appreciated that the system can include more than one base station and/or more than one terminal, wherein additional base stations and/or terminals can be substantially similar or different for the exemplary base station and terminal described below.

[0040] Referring now to **Fig. 10**, on a downlink, at access point 1005, a transmit (TX) data processor 1010 receives, formats, codes, interleaves, and modulates (or symbol maps) traffic data and provides modulation symbols ("data symbols"). A symbol modulator 1015 receives and processes the data symbols and pilot symbols and provides a stream of symbols. A symbol modulator 1020 multiplexes data and pilot symbols and provides them to a transmitter unit (TMTR) 1020. Each transmit symbol may be a data symbol, a pilot symbol, or a signal value of zero. The pilot symbols may be sent continuously in each symbol period. The pilot symbols can be frequency division multiplexed (FDM), orthogonal frequency division multiplexed (OFDM), time

division multiplexed (TDM), frequency division multiplexed (FDM), or code division multiplexed (CDM).

[0041] TMTR 1020 receives and converts the stream of symbols into one or more analog signals and further conditions (*e.g.*, amplifies, filters, and frequency up converts) the analog signals to generate a downlink signal suitable for transmission over the wireless channel. The downlink signal is then transmitted through an antenna 1025 to the terminals. At terminal 1030, an antenna 1035 receives the downlink signal and provides a received signal to a receiver unit (RCVR) 1040. Receiver unit 1040 conditions (*e.g.*, filters, amplifies, and frequency down converts) the received signal and digitizes the conditioned signal to obtain samples. A symbol demodulator 1045 demodulates and provides received pilot symbols to a processor 1050 for channel estimation. Symbol demodulator 1045 further receives a frequency response estimate for the downlink from processor 1050, performs data demodulation on the received data symbols to obtain data symbol estimates (which are estimates of the transmitted data symbols), and provides the data symbol estimates to an RX data processor 1055, which demodulates (*i.e.*, symbol de-maps), de-interleaves, and decodes the data symbol estimates to recover the transmitted traffic data. The processing by symbol demodulator 1045 and RX data processor 1055 is complementary to the processing by symbol modulator 1015 and TX data processor 1010, respectively, at access point 1005.

[0042] On the uplink, a TX data processor 1060 processes traffic data and provides data symbols. A symbol modulator 1065 receives and multiplexes the data symbols with pilot symbols, performs modulation, and provides a stream of symbols. A transmitter unit 1070 then receives and processes the stream of symbols to generate an uplink signal, which is transmitted by the antenna 1035 to the access point 1005.

[0043] At access point 1005, the uplink signal from terminal 1030 is received by the antenna 1025 and processed by a receiver unit 1075 to obtain samples. A symbol demodulator 1080 then processes the samples and provides received pilot symbols and data symbol estimates for the uplink. An RX data processor 1085 processes the data symbol estimates to recover the traffic data transmitted by terminal 1030. A processor 1090 performs channel estimation for each active terminal transmitting on the uplink. Multiple terminals may transmit pilot concurrently on the uplink on their respective assigned sets of pilot subbands, where the pilot subband sets may be interlaced.

[0044] Processors 1090 and 1050 direct (*e.g.*, control, coordinate, manage, *etc.*) operation at access point 1005 and terminal 1030, respectively. Respective processors

1090 and 1050 can be associated with memory units (not shown) that store program codes and data. Processors 1090 and 1050 can also perform computations to derive frequency and impulse response estimates for the uplink and downlink, respectively.

[0045] For a software implementation, the techniques described herein may be implemented with modules (*e.g.*, procedures, functions, and so on) that perform the functions described herein. The software codes may be stored in memory units and executed by processors. The memory unit may be implemented within the processor or external to the processor, in which case it can be communicatively coupled to the processor via various means as is known in the art.

[0046] What has been described above includes exemplary embodiments. It is, of course, not possible to describe every conceivable combination of components or methodologies for purposes of describing the embodiments, but one of ordinary skill in the art may recognize that many further combinations and permutations are possible. Accordingly, these embodiments are intended to embrace all such alterations, modifications and variations that fall within the spirit and scope of the appended claims. Furthermore, to the extent that the term “includes” is used in either the detailed description or the claims, such term is intended to be inclusive in a manner similar to the term “comprising” as “comprising” is interpreted when employed as a transitional word in a claim.

WHAT IS CLAIMED IS:

CLAIMS

1. A method for transmitting OFDM information, comprising:
determining a set of sub-carriers to broadcast in an OFDM network; and
performing a transform at N sample multiples over the sub-carriers to mitigate filter requirements or noise generation in the network, where N is an integer greater than or equal to 2.
2. The method of claim 1, further comprising processing at least one subset of carriers as desired information and at least one other subset of carriers as zeros.
3. The method of claim of claim 1, further comprising processing the zeros during even or odd samples at a transmitter performing the transform.
4. The method of claim 3, the transform is an Inverse Fast Fourier Transform (IFFT).
5. The method of claim 4, the IFFT is performed as a cascade of Fast Fourier Transforms (FFTs).
6. The method of claim 5, further comprising at least two cascades to perform up-sampling at least twice the Nyquist sampling rate.
7. The method of claim 6, the cascades are employed to mitigate filtering requirements at an OFDM transmitter.
8. The method of claim 6, the cascades are employed to mitigate leakage between OFDM symbols or sub-carriers.

9. The method of claim 1, further comprising decomposing an 8192 point IFFT into two 4096 IFFT's.
10. The method of claim 9, further comprising determining at least two additional IFFT stages.
11. The method of claim 10, further comprising employing at least one memory block to process the IFFT operations.
12. A transmitter module for a wireless network system, comprising:
 - a processor to generate a carrier subset for a transmitter;
 - a clock adapted to operate at multiples of a Nyquist rate for the transmitter; and
 - a transform component to generate samples according to at least twice the Nyquist rate in order to mitigate filter requirements for the transmitter.
13. The module of claim 12, further comprising at least two Inverse Fast Fourier Transform (IFFT) components to generate samples at a higher sampling rate.
14. The module of claim 13, the IFFT components are adapted from Fast Fourier Transform (FFT) components.
15. The module of claim 13, the IFFT components generate one or more even and odd samples.
16. The module of claim 15, further comprising a pre-processor that performs zero insertion on an input frequency domain symbol set.
17. The module of claim 16, further comprising at least one memory to operate an FFT block adapted to perform an IFFT.
18. A system for transmitting OFDM information in a network, comprising:
 - means for transmitting a symbol stream;

means for transforming the symbol stream according to at least two multiples of a Nyquist sampling rate; and

means for receiving the symbol stream in the network.

19. A machine readable medium having machine executable instructions stored thereon, comprising:

determining a carrier subset for a transmitter;

applying zero padding to a frequency domain symbol set to produce at least twice the number of frequency domain symbols; and

applying the extended set of symbols to an IFFT to generate samples for transmission in a network.

20. The machine readable medium of claim 19, further comprising performing an N multiple IFFT on the carrier subset.

21. The machine readable medium of claim 20, further comprising decomposing the IFFT into a cascade of FFT's.

22. The machine readable medium of claim 21, further comprising segregating the cascade for even and odd IFFT samples.

23. The machine readable medium of claim 22, further comprising performing an NL point IFFT this decomposed into L, N-point IFFTs.

24. The machine readable medium of claim 23, further comprising performing a multiplication and N, L-point IFFTs.

25. The machine readable medium of claim 24, further comprising decomposing the IFFTs into L N-point IFFTs followed by N L-point IFFTs.

26. A machine readable medium having a data structure stored thereon, comprising:
a plurality of data fields storing a transmitter symbol set; and
a plurality of data fields to perform an IFFT on the symbol set, where the IFFT is divided into at least two data processing fields; and
employing at least one of the data processing fields for zero padding operations.

27. The machine readable medium of claim 26, further comprising segregating the two cascade fields for even and odd processing fields.
28. A wireless communications transmitter, comprising:
a memory that stores an IFFT to perform an up-sampling operation; and
a processor to insert zeros that extend a number of frequency domain symbols that are submitted to the up-sampling operation.
29. A wireless communications network, comprising:
a base station adapted to perform Inverse Fast Fourier Transforms (IFFT) of a symbol set at an increased sample multiple, where the sample multiple is at least two times over a Nyquist sampling criterion; and
at least one wireless receiver to receive the symbol set across the wireless communications network.

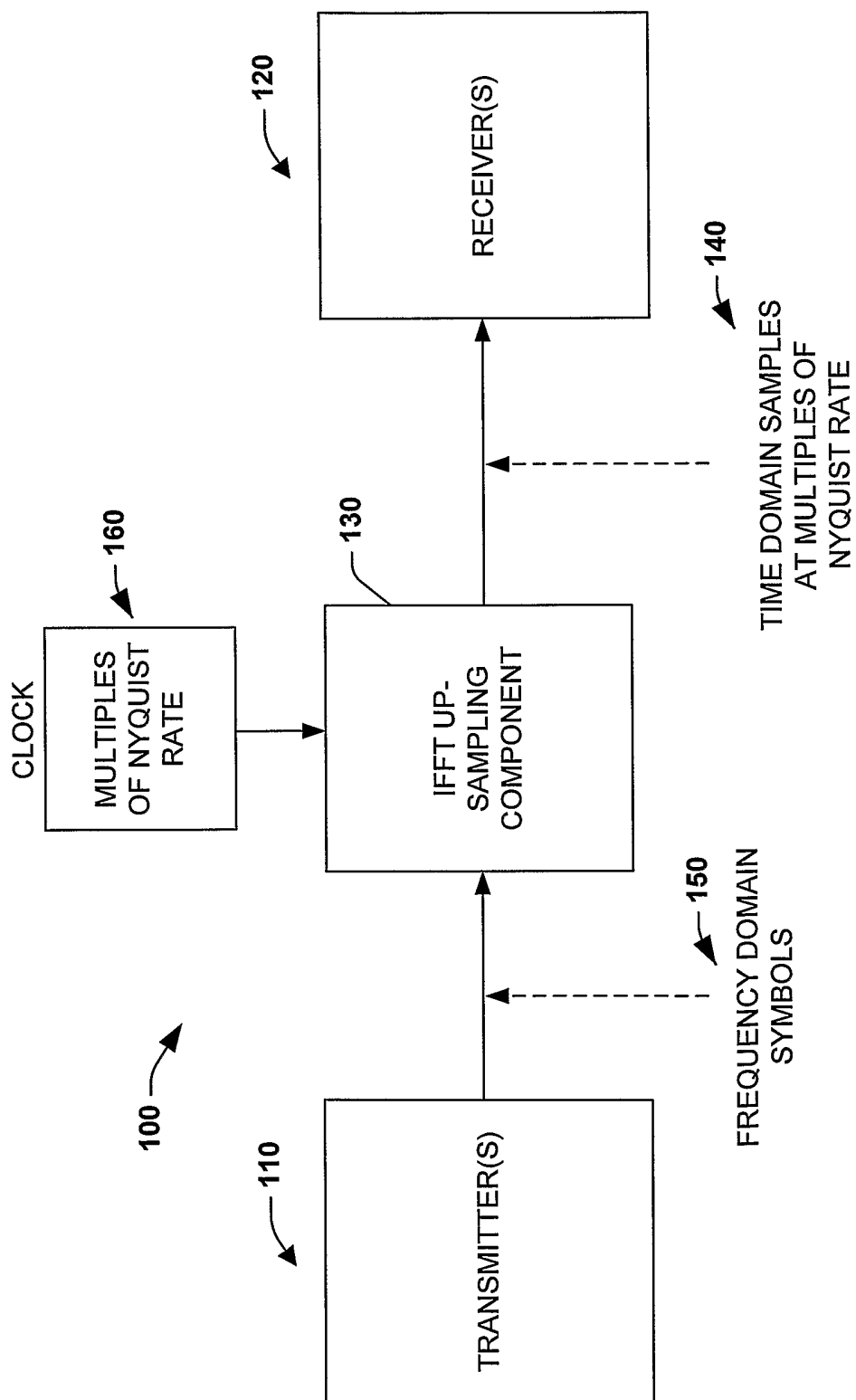


FIG. 1

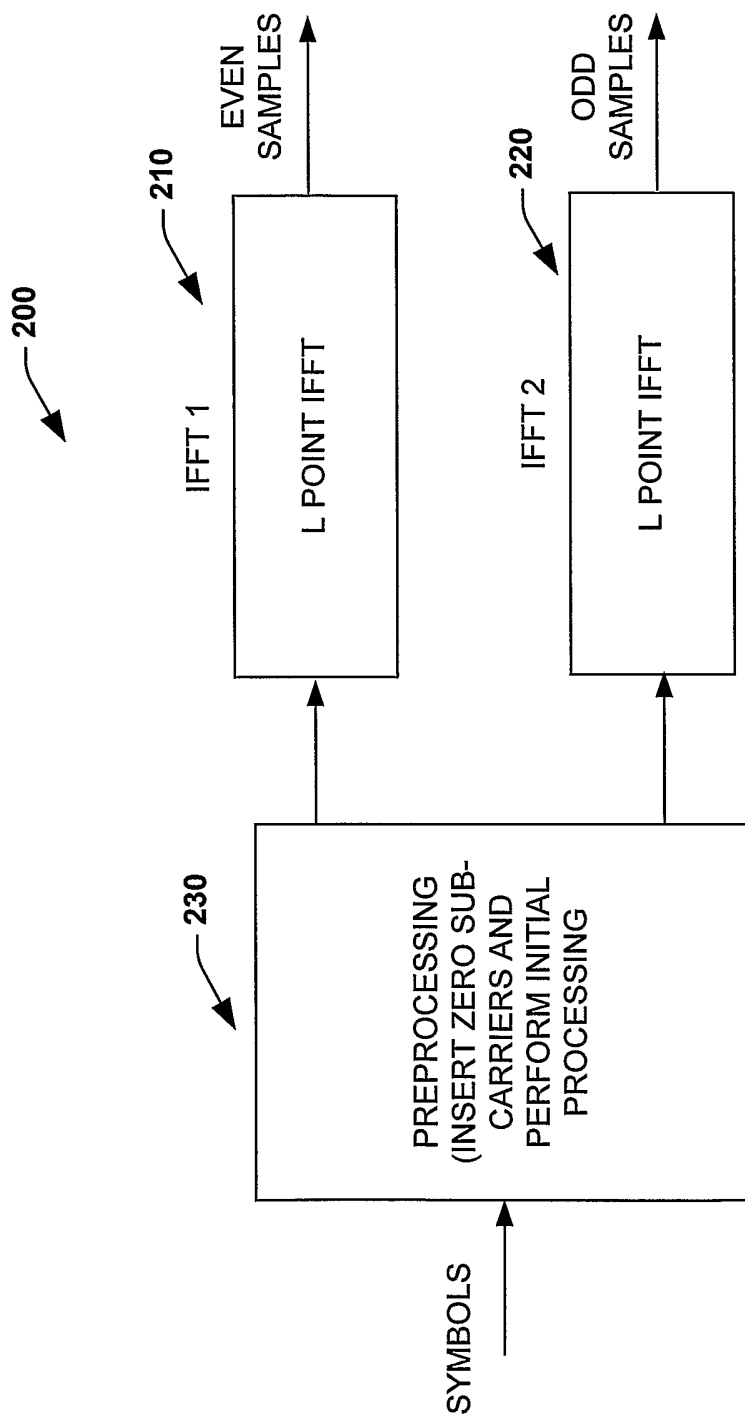


FIG. 2

3/10

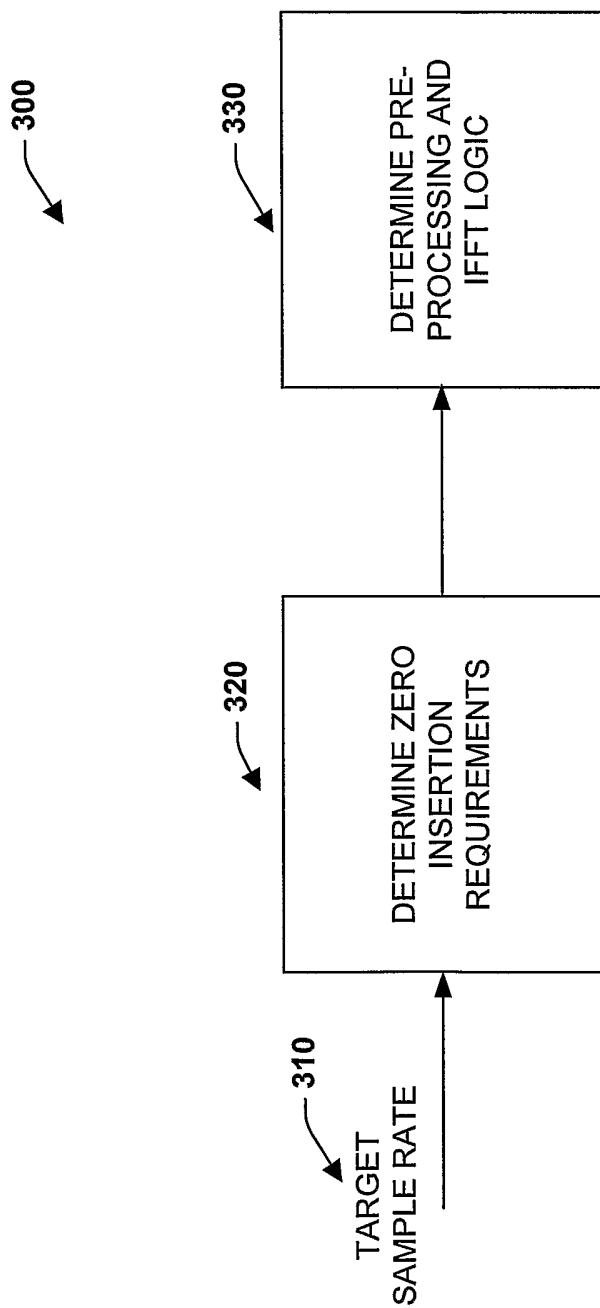


FIG. 3

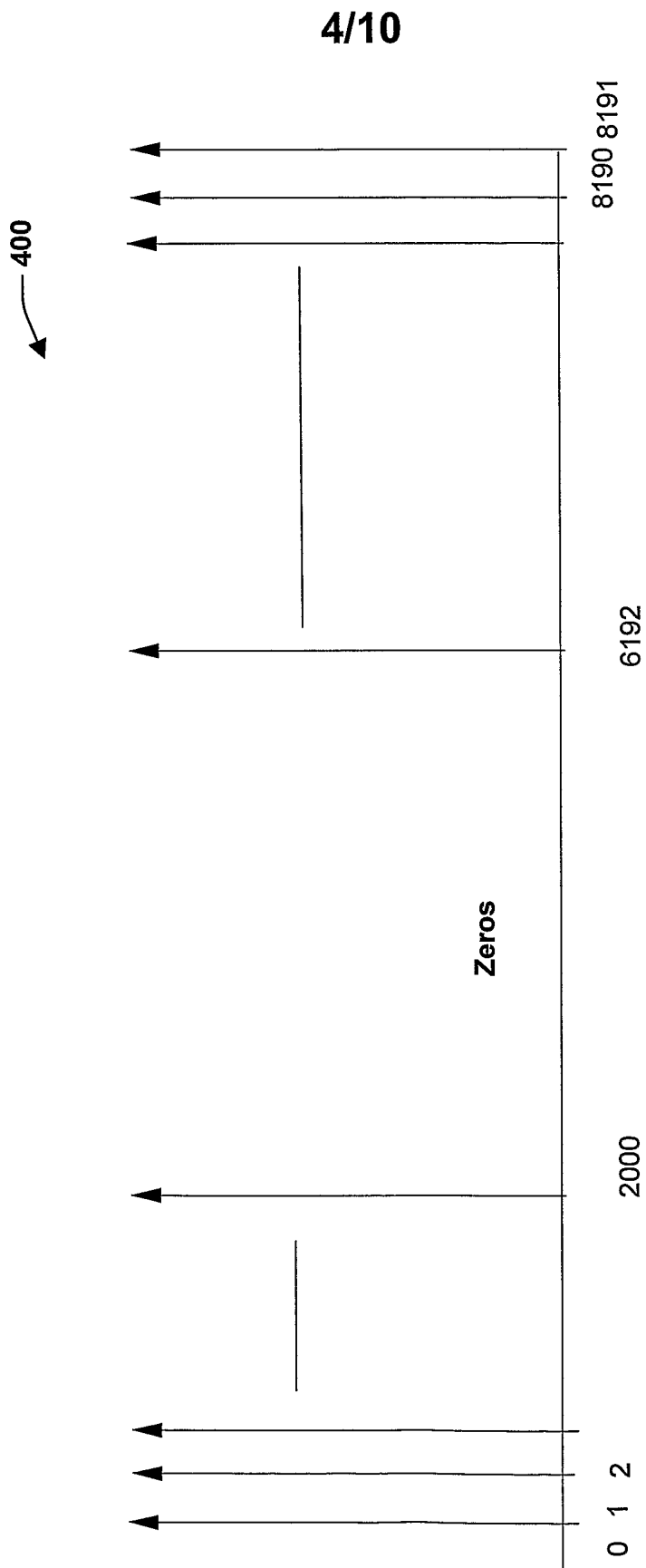


FIG. 4

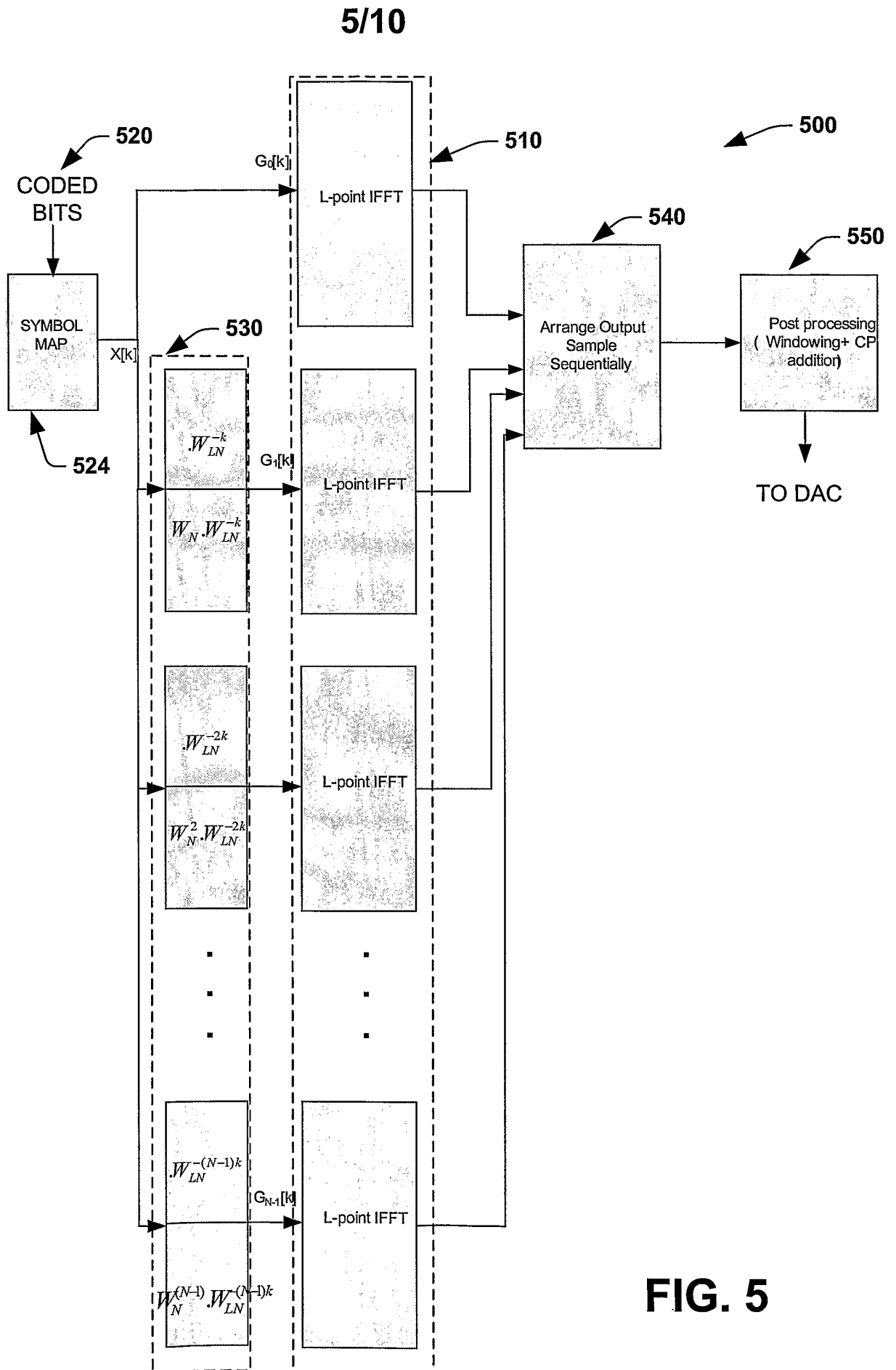


FIG. 5

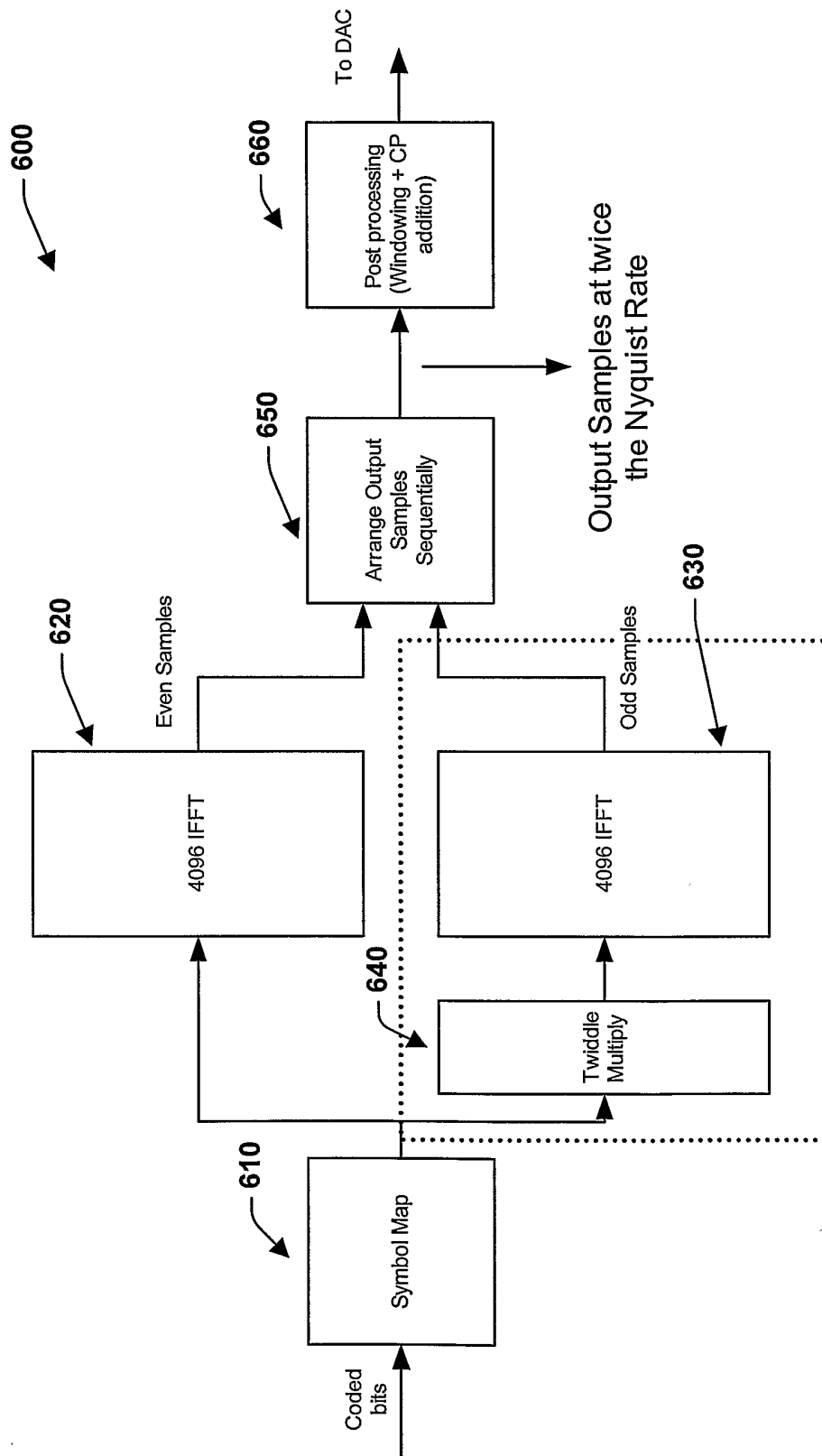


FIG. 6

7/10

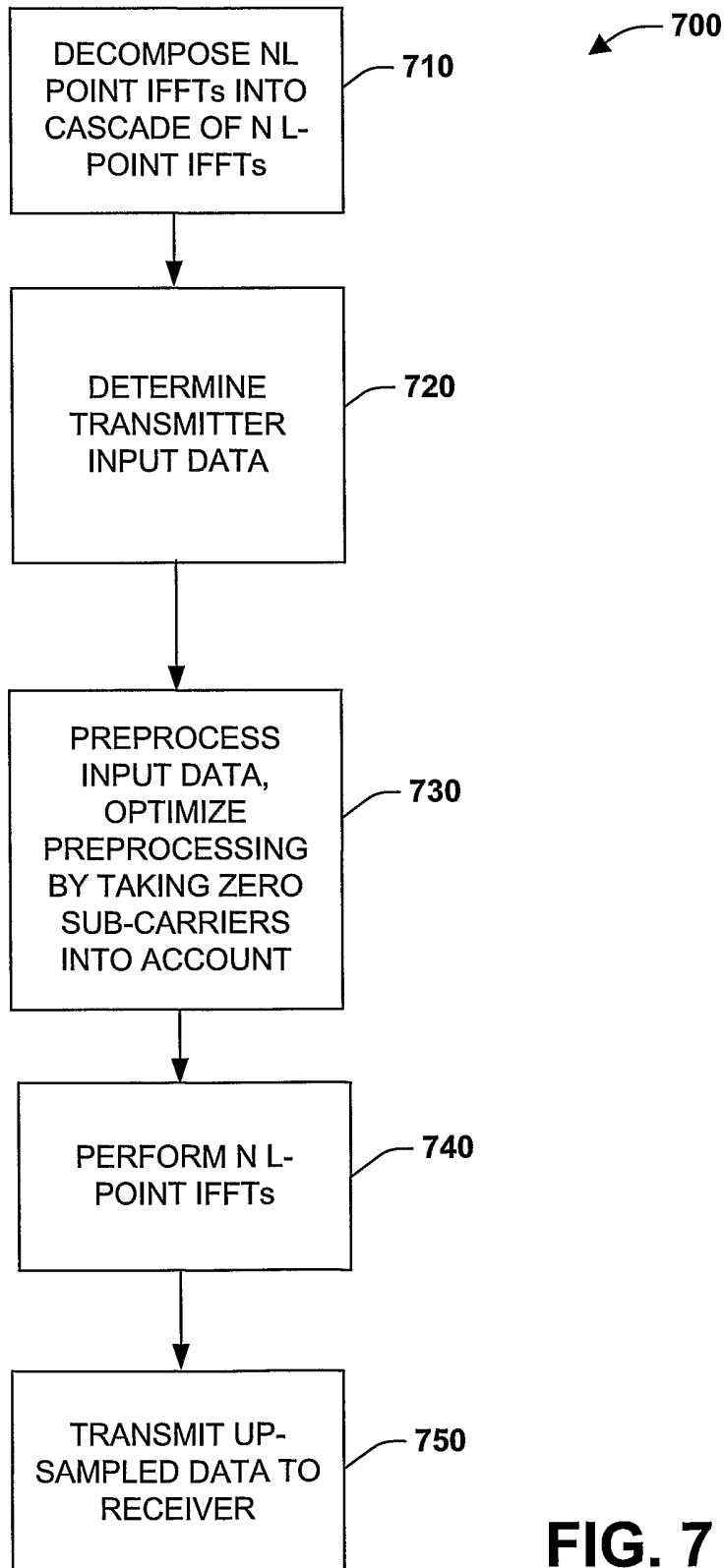


FIG. 7

8/10

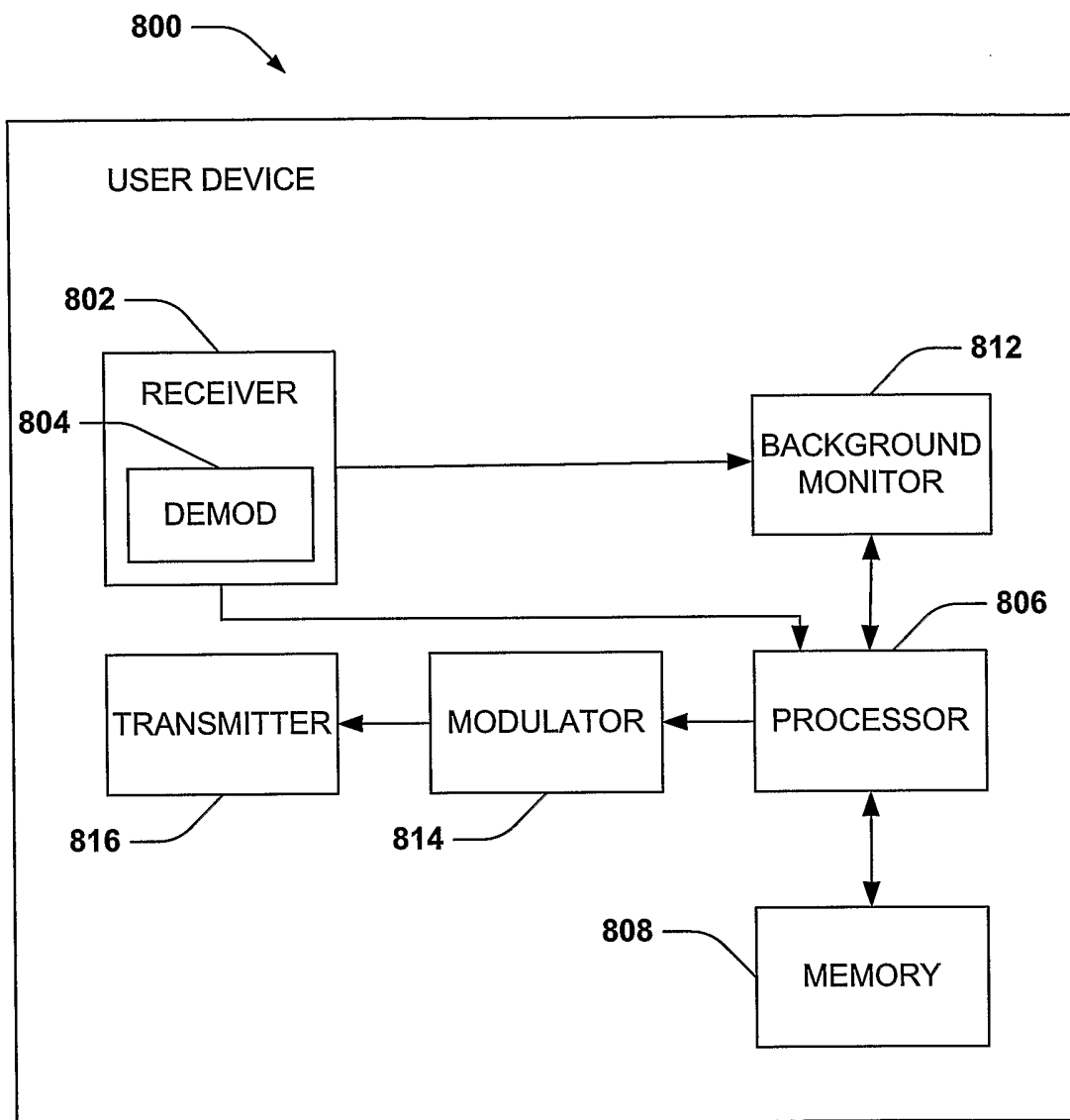


FIG. 8

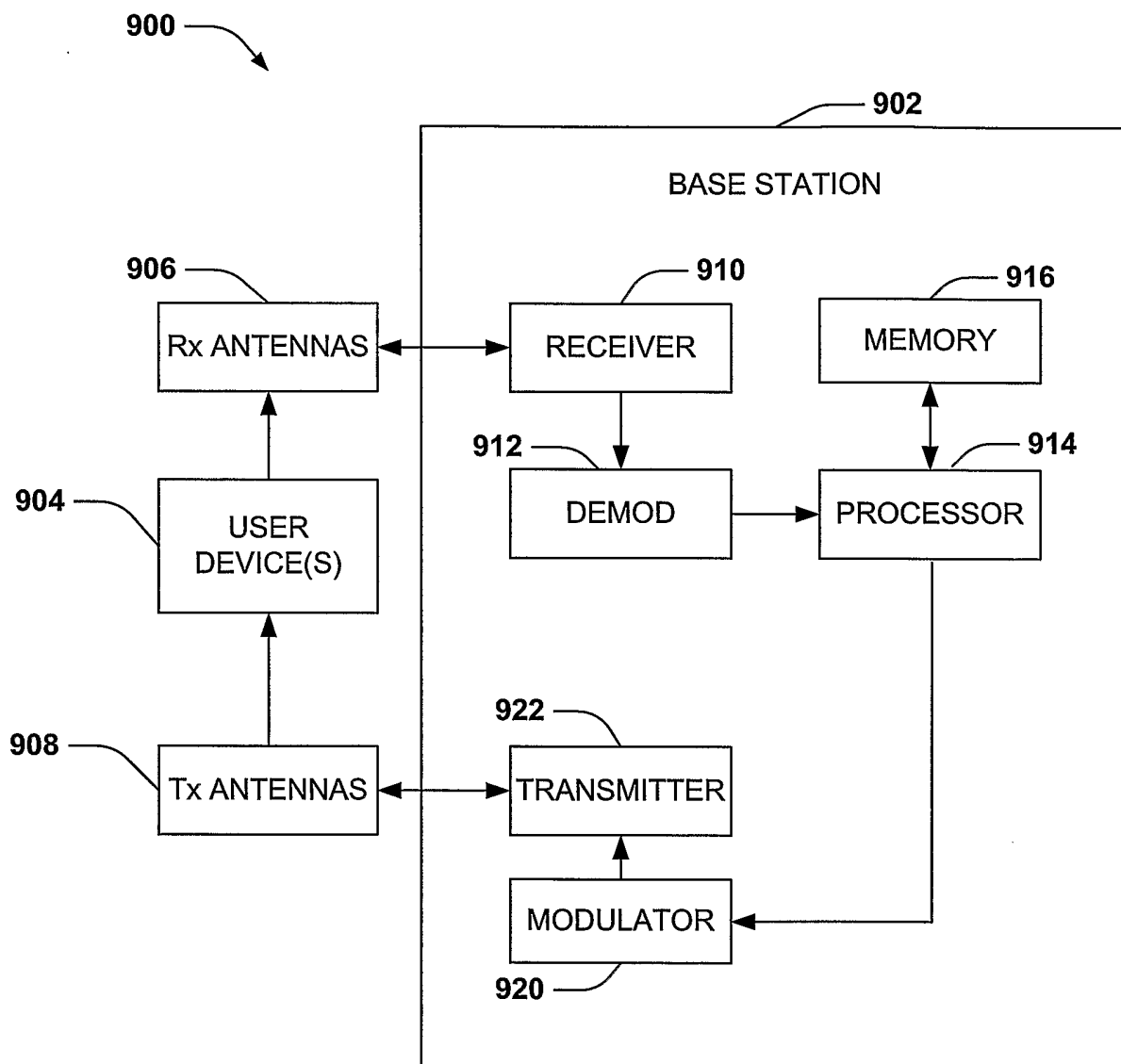


FIG. 9

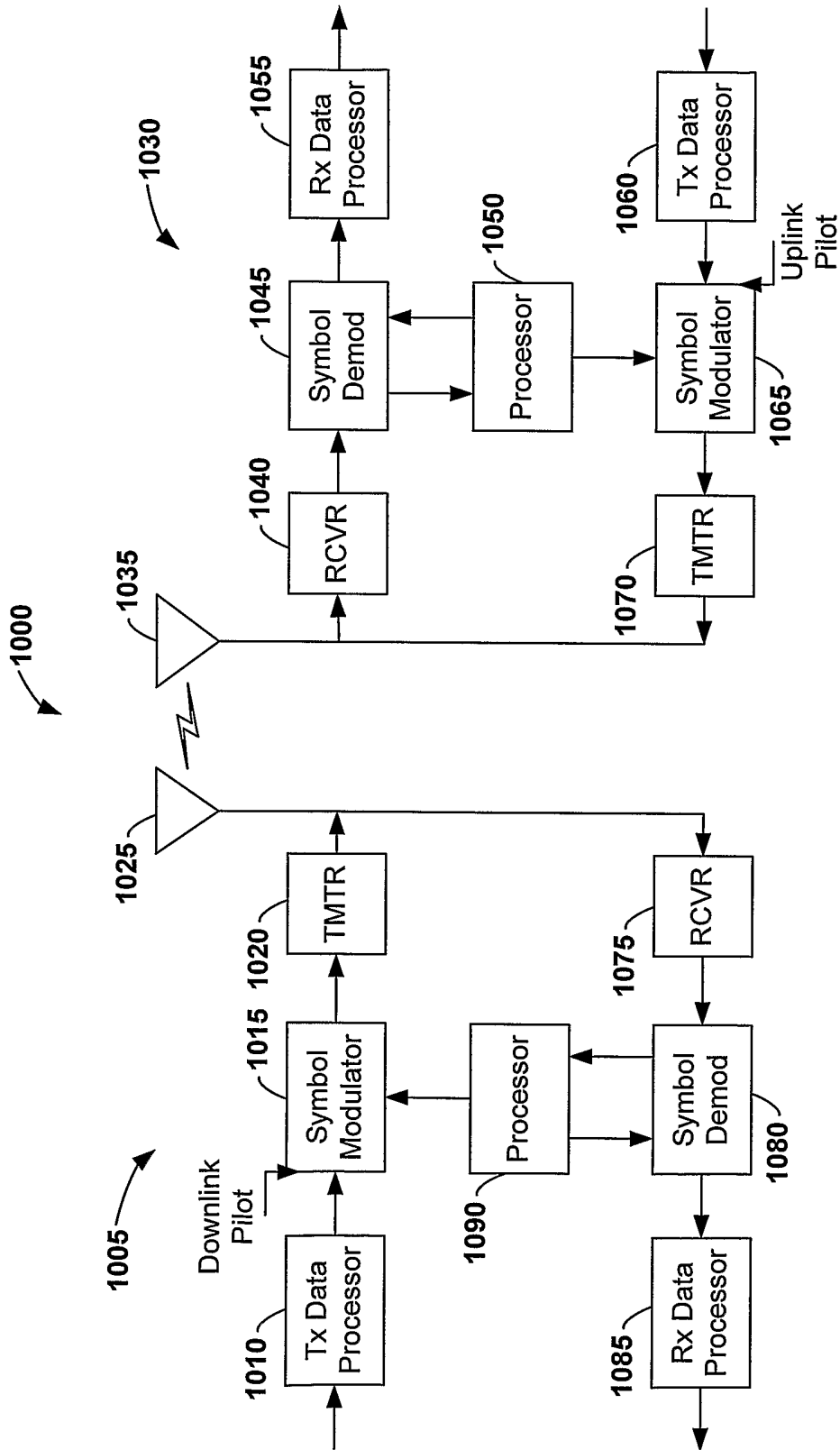


FIG. 10

INTERNATIONAL SEARCH REPORT

International application No
PCT/US2006/008949

A. CLASSIFICATION OF SUBJECT MATTER INV. H04L27/26 . According to International Patent Classification (IPC) or to both national classification and IPC		
B. FIELDS SEARCHED Minimum documentation searched (classification system followed by classification symbols) H04L Documentation searched other than minimum documentation to the extent that such documents are included in the fields searched Electronic data base consulted during the international search (name of data base and, where practical, search terms used) EPO-Internal, INSPEC		
C. DOCUMENTS CONSIDERED TO BE RELEVANT		
Category*	Citation of document, with indication, where appropriate, of the relevant passages	Relevant to claim No.
X	US 2003/189894 A1 (NEE RICHARD VAN ET AL) 9 October 2003 (2003-10-09) paragraph [0021] figure 3	1-29
X	EP 0 869 646 A (LUCENT TECHNOLOGIES INC) 7 October 1998 (1998-10-07) page 4, line 53 - page 5, line 2	1-29
X	US 2002/105901 A1 (CHINI AHMAD ET AL) 8 August 2002 (2002-08-08) claim 1 figure 1	1-29
	----- -/--	
<input checked="" type="checkbox"/> Further documents are listed in the continuation of Box C. <input checked="" type="checkbox"/> See patent family annex.		
* Special categories of cited documents : *A* document defining the general state of the art which is not considered to be of particular relevance *E* earlier document but published on or after the international filing date *L* document which may throw doubts on priority claim(s) or which is cited to establish the publication date of another citation or other special reason (as specified) *O* document referring to an oral disclosure, use, exhibition or other means *P* document published prior to the international filing date but later than the priority date claimed *T* later document published after the international filing date or priority date and not in conflict with the application but cited to understand the principle or theory underlying the invention *X* document of particular relevance; the claimed invention cannot be considered novel or cannot be considered to involve an inventive step when the document is taken alone *Y* document of particular relevance; the claimed invention cannot be considered to involve an inventive step when the document is combined with one or more other such documents, such combination being obvious to a person skilled in the art. *&* document member of the same patent family		
Date of the actual completion of the international search		Date of mailing of the international search report
4 July 2006		17/07/2006
Name and mailing address of the ISA/ European Patent Office, P.B. 5818 Patentlaan 2 NL - 2280 HV Rijswijk Tel. (+31-70) 340-2040, Tx. 31 651 epo nl, Fax: (+31-70) 340-3016		Authorized officer Douglas, I

INTERNATIONAL SEARCH REPORT

International application No
PCT/US2006/008949

C(Continuation). DOCUMENTS CONSIDERED TO BE RELEVANT		
Category*	Citation of document, with indication, where appropriate, of the relevant passages	Relevant to claim No.
X	<p>OUNG K B; DARNELL M; BOUSSAKTA S: "Embedded channel estimation for OFDM: types of sources and performance" PROCEEDINGS OF THIRD INTERNATIONAL SYMPOSIUM ON COMMUNICATION SYSTEMS NETWORKS AND DIGITAL SIGNAL PROCESSING, [Online] 15 July 2002 (2002-07-15), pages 125-128, XP002388375 Sheffield, UK Retrieved from the Internet: URL:http://www.scit.wlv.ac.uk/{jphb/cp4040 /rolandonotes/CSNDSP2002/Papers/D1/D1.4.pd f> [retrieved on 2006-06-28] paragraph [02.4]</p> <p style="text-align: center;">-----</p>	1-29
X	<p>"Agilent Option UND Generating Digital Modulation with the Agilent ESG-D Series Dual Arbitrary Waveform Generator" [Online] 6 March 2002 (2002-03-06), AGILENT TECHNOLOGIES , U.S.A , XP002388380 Retrieved from the Internet: URL:http://www.educatorscorner.com/media/A N_5966-4097E.pdf> [retrieved on 2006-06-28] page 1 - page 40 page 16 page 27 - page 28</p> <p style="text-align: center;">-----</p>	1-29
A	<p>DUHAMEL P ET AL: "FAST FOURIER TRANSFORMS: A TUTORIAL REVIEW AND A STATE OF THE ART" SIGNAL PROCESSING, ELSEVIER SCIENCE PUBLISHERS B.V. AMSTERDAM, NL, vol. 19, no. 4, 1 April 1990 (1990-04-01), pages 259-299, XP000113680 ISSN: 0165-1684 paragraph [04.1] paragraph [07.1]</p> <p style="text-align: center;">-----</p>	5,6,9, 10,13, 14,21

INTERNATIONAL SEARCH REPORT

Information on patent family members

International application No PCT/US2006/008949

Patent document cited in search report		Publication date		Patent family member(s)		Publication date
US 2003189894	A1	09-10-2003		NONE		
EP 0869646	A	07-10-1998	DE	69806669 D1		29-08-2002
			DE	69806669 T2		03-04-2003
			JP	3324983 B2		17-09-2002
			JP	10303848 A		13-11-1998
			US	6005840 A		21-12-1999
US 2002105901	A1	08-08-2002	AU	2002248409 A1		19-08-2002
			WO	02063843 A2		15-08-2002