



- (51) **International Patent Classification:**  
*G01N 1/31* (2006.01) *G01N 35/10* (2006.01)
- (21) **International Application Number:**  
PCT/IB2010/055978
- (22) **International Filing Date:**  
21 December 2010 (21.12.2010)
- (25) **Filing Language:** Italian
- (26) **Publication Language:** English
- (30) **Priority Data:**  
60/288,398 21 December 2009 (21.12.2009) US
- (71) **Applicant (for all designated States except US):** IN-TELSINT S.R.L. [IT/IT]; Via Rivoli 122, I-10090 Villarbase (IT).
- (72) **Inventors; and**
- (75) **Inventors/Applicants (for US only):** COMETTO, Sergio [IT/IT]; Via Gino 21, I-10090 Sangano (IT). BUTTU, Pierluigi [IT/IT]; Via Tirso 35, I-08020 Gavoi (IT).
- (74) **Agents:** GERVASI, Gemma et al.; Corso di Porta Vittoria 9, I-20122 Milano (IT).
- (81) **Designated States (unless otherwise indicated, for every kind of national protection available):** AE, AG, AL, AM, AO, AT, AU, AZ, BA, BB, BG, BH, BR, BW, BY, BZ, CA, CH, CL, CN, CO, CR, CU, CZ, DE, DK, DM, DO,

DZ, EC, EE, EG, ES, FI, GB, GD, GE, GH, GM, GT, HN, HR, HU, ID, IL, IN, IS, JP, KE, KG, KM, KN, KP, KR, KZ, LA, LC, LK, LR, LS, LT, LU, LY, MA, MD, ME, MG, MK, MN, MW, MX, MY, MZ, NA, NG, NI, NO, NZ, OM, PE, PG, PH, PL, PT, RO, RS, RU, SC, SD, SE, SG, SK, SL, SM, ST, SV, SY, TH, TJ, TM, TN, TR, TT, TZ, UA, UG, US, UZ, VC, VN, ZA, ZM, ZW.

- (84) **Designated States (unless otherwise indicated, for every kind of regional protection available):** ARIPO (BW, GH, GM, KE, LR, LS, MW, MZ, NA, SD, SL, SZ, TZ, UG, ZM, ZW), Eurasian (AM, AZ, BY, KG, KZ, MD, RU, TJ, TM), European (AL, AT, BE, BG, CH, CY, CZ, DE, DK, EE, ES, FI, FR, GB, GR, HR, HU, IE, IS, IT, LT, LU, LV, MC, MK, MT, NL, NO, PL, PT, RO, RS, SE, SI, SK, SM, TR), OAPI (BF, BJ, CF, CG, CI, CM, GA, GN, GQ, GW, ML, MR, NE, SN, TD, TG).

**Declarations under Rule 4.17:**

- as to applicant's entitlement to apply for and be granted a patent (Rule 4.17(ii))
- of inventorship (Rule 4.17(iv))

**Published:**

- with international search report (Art. 21(3))

- (88) **Date of publication of the international search report:**  
24 November 2011

(54) **Title:** DEVICE AND METHOD FOR THE AUTOMATIC, HIGH-PRECISION AND HIGH- ACCURACY DEPOSITION OF REAGENTS ON BIOLOGICAL SPECIMENS

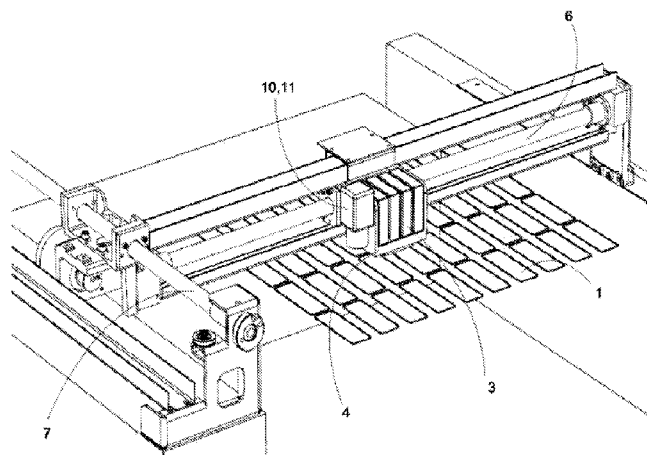


Fig. 10

(57) **Abstract:** Device for the automatic deposition of reagents on one or more biological specimens to be colored on one or more slides, comprising: 2D maps acquisition means of the spatial positions of said biological specimens to be colored on said slides, deposition means of the reagents only on said spatial positions, on the basis of the information contained in said 2D maps.



# INTERNATIONAL SEARCH REPORT

International application No PCT/IB2010/055978
---

<b>A. CLASSIFICATION OF SUBJECT MATTER</b> INV. G01N1/31 ADD. G01N35/10		
According to International Patent Classification (IPC) or to both national classification and IPC		
<b>B. FIELDS SEARCHED</b>		
Minimum documentation searched (classification system followed by classification symbols) G01N		
Documentation searched other than minimum documentation to the extent that such documents are included in the fields searched		
Electronic data base consulted during the international search (name of data base and, where practical, search terms used)  EPO-Internal		
<b>C. DOCUMENTS CONSIDERED TO BE RELEVANT</b>		
Category*	Citation of document, with indication, where appropriate, of the relevant passages	Relevant to claim No.
X	US 2003/081209 A1 (TAKAHASHI SATOSHI [JP] ET AL) 1 May 2003 (2003-05-01) paragraph [0010] paragraph [0012] sentence 6, paragraph 14 paragraph [0015] sentence 2, paragraph 28 - sentence 3 sentence 4, paragraph 29 - sentence 5 sentence 1, paragraph 30 sentence 3, paragraph 36 sentence 7, paragraph 36; claim 6 figure 1  <div style="text-align: center;">----- -/--</div>	1-9
<input checked="" type="checkbox"/> Further documents are listed in the continuation of Box C. <span style="margin-left: 200px;"><input checked="" type="checkbox"/> See patent family annex.</span>		
* Special categories of cited documents :		
"A" document defining the general state of the art which is not considered to be of particular relevance "E" earlier document but published on or after the international filing date "L" document which may throw doubts on priority claim(s) or which is cited to establish the publication date of another citation or other special reason (as specified) "O" document referring to an oral disclosure, use, exhibition or other means "P" document published prior to the international filing date but later than the priority date claimed	"T" later document published after the international filing date or priority date and not in conflict with the application but cited to understand the principle or theory underlying the invention "X" document of particular relevance; the claimed invention cannot be considered novel or cannot be considered to involve an inventive step when the document is taken alone "Y" document of particular relevance; the claimed invention cannot be considered to involve an inventive step when the document is combined with one or more other such documents, such combination being obvious to a person skilled in the art. "&" document member of the same patent family	
Date of the actual completion of the international search	Date of mailing of the international search report	
19 August 2011	31/08/2011	
Name and mailing address of the ISA/ European Patent Office, P.B. 5818 Patentlaan 2 NL - 2280 HV Rijswijk Tel. (+31-70) 340-2040, Fax: (+31-70) 340-3016	Authorized officer  Mauritz, Jakob	

## INTERNATIONAL SEARCH REPORT

International application No  
PCT/IB2010/055978

C(Continuation). DOCUMENTS CONSIDERED TO BE RELEVANT

Category*	Citation of document, with indication, where appropriate, of the relevant passages	Relevant to claim No.
X	US 2008/278706 A1 (MURAYAMA YOHEI [JP] ET AL) 13 November 2008 (2008-11-13) figure 1 paragraph [0050] paragraph [0052] paragraph [0061] paragraph [0076]	1-9
A	----- DE 103 23 776 A1 (VULKAN TECHNIC MASCHINEN KONST [DE]) 9 December 2004 (2004-12-09) claim 1; figure 1	9
A	----- DE 10 2008 018982 A1 (MERZ HARTMUT [DE]; WOLK VAN DER [DE]) 5 November 2009 (2009-11-05) figure 3	1-9
A	----- US 5 839 091 A (RHETT NORMAN K [US] ET AL) 17 November 1998 (1998-11-17) column 3, line 48 -----	1-9

# INTERNATIONAL SEARCH REPORT

Information on patent family members

International application No PCT/IB2010/055978
---

Patent document cited in search report	Publication date	Patent family member(s)	Publication date
US 2003081209 A1	01-05-2003	JP 3902939 B2 JP 2003130866 A	11-04-2007 08-05-2003
-----			
US 2008278706 A1	13-11-2008	JP 2008275550 A	13-11-2008
-----			
DE 10323776 A1	09-12-2004	NONE	
-----			
DE 102008018982 A1	05-11-2009	EP 2269028 A2 WO 2009127394 A2 US 2011143393 A1	05-01-2011 22-10-2009 16-06-2011
-----			
US 5839091 A	17-11-1998	US 6349264 B1	19-02-2002
-----			