



US00D643252S

(12) **United States Design Patent**
Seidl et al.

(10) **Patent No.:** **US D643,252 S**

(45) **Date of Patent:** **** Aug. 16, 2011**

(54) **CUP HOLDER**

(75) Inventors: **Kenneth G. Seidl**, Port Washington, WI (US); **Michael Burwell**, Cedarburg, WI (US)

(73) Assignee: **Raffel Systems, LLC**, Germantown, WI (US)

(**) Term: **14 Years**

(21) Appl. No.: **29/382,151**

(22) Filed: **Dec. 29, 2010**

Related U.S. Application Data

(63) Continuation of application No. 12/847,823, filed on Jul. 30, 2010, which is a continuation of application No. 11/410,547, filed on Apr. 25, 2006, now Pat. No. 7,766,293.

(51) **LOC (9) Cl.** **07-01**

(52) **U.S. Cl.** **D7/619.1**

(58) **Field of Classification Search** D7/619.1-625, D7/605, 608; 248/311.2, 309.1, 311.3, 346.11, 248/314; 211/71.01, 74

See application file for complete search history.

(56) **References Cited**

U.S. PATENT DOCUMENTS

D442,833 S * 5/2001 Shuman D7/608
D505,300 S * 5/2005 Walsh D7/608
D604,564 S * 11/2009 Walter D7/620

* cited by examiner

Primary Examiner — Terry Wallace

(74) *Attorney, Agent, or Firm* — Casimir Jones S.C.

(57) **CLAIM**

The ornamental design for a cup holder, as shown and described.

DESCRIPTION

FIG. 1 is a perspective view showing my new design; FIG. 2 is a second perspective view thereof; FIG. 3 is a top plan view thereof; FIG. 4 is a bottom plan view thereof; FIG. 5 is a front elevational view thereof; FIG. 6 is a rear elevational view thereof; FIG. 7 is a left side elevational view thereof; and, FIG. 8 is a right side elevational view thereof.

1 Claim, 2 Drawing Sheets

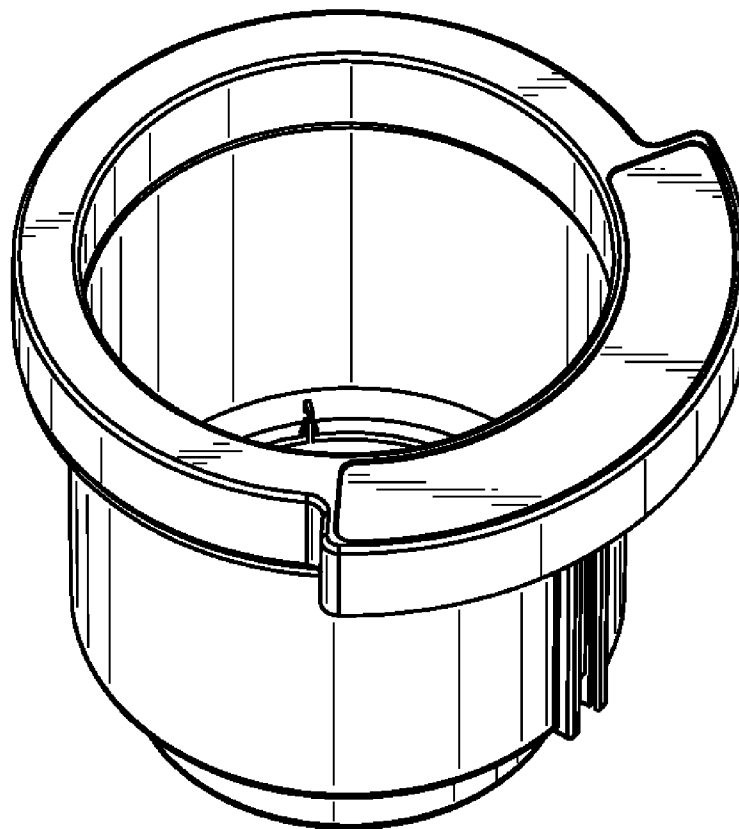


Fig. 1

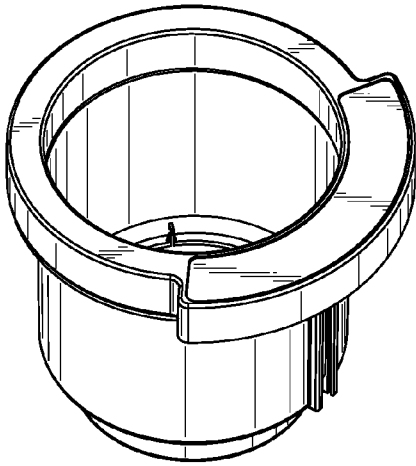


Fig. 2

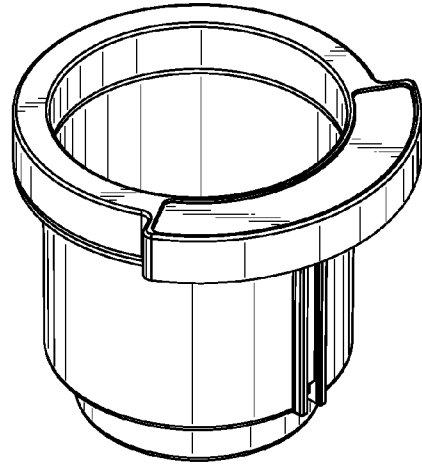


Fig. 3

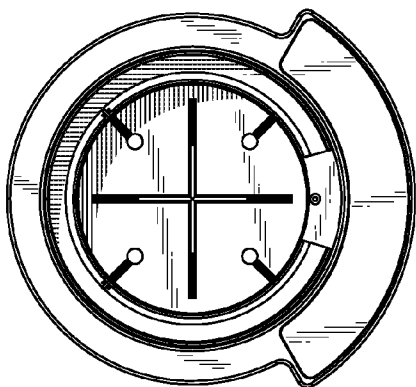


Fig. 4

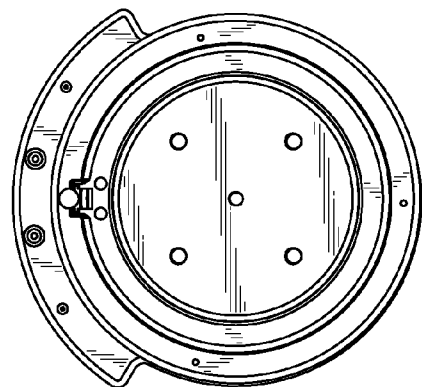


Fig. 5

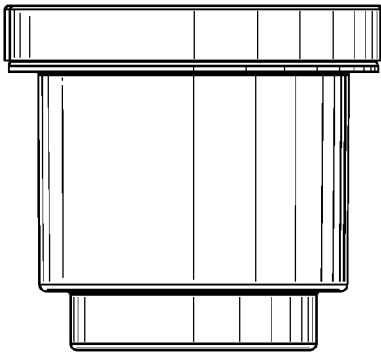


Fig. 6

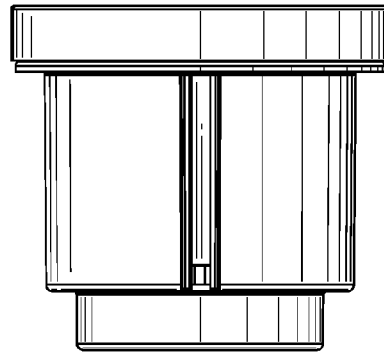


Fig. 7

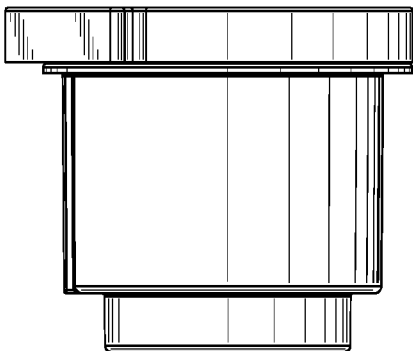


Fig. 8

