

(19) World Intellectual Property Organization
International Bureau



(43) International Publication Date
26 October 2006 (26.10.2006)

PCT

(10) International Publication Number
WO 2006/113886 A3

(51) International Patent Classification:
H05B 6/80 (2006.01)

(21) International Application Number:
PCT/US2006/014932

(22) International Filing Date: 20 April 2006 (20.04.2006)

(25) Filing Language: English

(26) Publication Language: English

(30) Priority Data:
60/673,189 20 April 2005 (20.04.2005) US

(71) Applicant (for all designated States except US):
STEAMWAY FRANCHISE SALES, INC. [US/US];
2128 South Leslie Lane, Scottsburg, Indiana 47170 (US).

(72) Inventors; and

(75) Inventors/Applicants (for US only): **HOPKINS, Gary, L., Sr.** [US/US]; 2138 South Leslie Lane, Scottsburg, Indiana 47170 (US). **HOPKINS, Gary, L., II** [US/US]; 2128 South Leslie Lane, Scottsburg, Indiana 47170 (US).

(74) Agent: **CARRITHERS, David, W.**; CARRITHERS LAW OFFICE, PLLC, 6060 Dutchman's Lane, Suite 140, Louisville, Kentucky 40205 (US).

(81) Designated States (unless otherwise indicated, for every kind of national protection available): AE, AG, AL, AM,

AT, AU, AZ, BA, BB, BG, BR, BW, BY, BZ, CA, CH, CN, CO, CR, CU, CZ, DE, DK, DM, DZ, EC, EE, EG, ES, FI, GB, GD, GE, GH, GM, HR, HU, ID, IL, IN, IS, JP, KE, KG, KM, KN, KP, KR, KZ, LC, LK, LR, LS, LT, LU, LV, LY, MA, MD, MG, MK, MN, MW, MX, MZ, NA, NG, NI, NO, NZ, OM, PG, PH, PL, PT, RO, RU, SC, SD, SE, SG, SK, SL, SM, SY, TJ, TM, TN, TR, TT, TZ, UA, UG, US, UZ, VC, VN, YU, ZA, ZM, ZW.

(84) Designated States (unless otherwise indicated, for every kind of regional protection available): ARIPO (BW, GH, GM, KE, LS, MW, MZ, NA, SD, SL, SZ, TZ, UG, ZM, ZW), Eurasian (AM, AZ, BY, KG, KZ, MD, RU, TJ, TM), European (AT, BE, BG, CH, CY, CZ, DE, DK, EE, ES, FI, FR, GB, GR, HU, IE, IS, IT, LT, LU, LV, MC, NL, PL, PT, RO, SE, SI, SK, TR), OAPI (BF, BJ, CF, CG, CI, CM, GA, GN, GQ, GW, ML, MR, NE, SN, TD, TG).

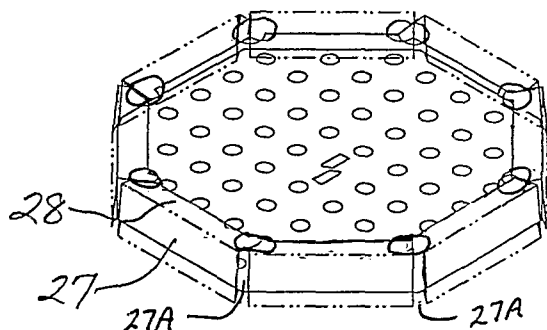
Published:

- with international search report
- before the expiration of the time limit for amending the claims and to be republished in the event of receipt of amendments

(88) Date of publication of the international search report:
8 November 2007

For two-letter codes and other abbreviations, refer to the "Guidance Notes on Codes and Abbreviations" appearing at the beginning of each regular issue of the PCT Gazette.

(54) Title: SUSCEPTOR PANEL FOR BROWN AND CRISP MICROWAVING PACKAGE



(57) Abstract: A container made of material suitable for use in a microwave having a food supporting tray in the container, a film of microwave interactive susceptor material is located at preselected locations within the container and relative to food that is supported on the tray with means for supporting the food support tray in selected space relation with respect to a surface on which the tray rests whereby food on the tray is elevated with respect to such surface.

WO 2006/113886 A3

INTERNATIONAL SEARCH REPORT

International application No.

PCT/US 06/14932

A. CLASSIFICATION OF SUBJECT MATTER IPC (8) - H05B 6/80 (2007.01) USPC - 219/730 According to International Patent Classification (IPC) or to both national classification and IPC		
B. FIELDS SEARCHED Minimum documentation searched (classification system followed by classification symbols) IPC (8) - H05B 6/80 (2007.01) USPC - 219/730 Documentation searched other than minimum documentation to the extent that such documents are included in the fields searched USPC - 219 - text word limited - see below Electronic data base consulted during the international search (name of data base and, where practicable, search terms used) PUBWEST (PGPB.USPT.USOC.EPAB.JPAB) Terms - fold raised supported spaced sides tabs microwave Google - Susceptor Panel For Brown And Crisp Microwaving Package; Susceptor Panel For Brown Crisp Microwaving Package tray fold		
C. DOCUMENTS CONSIDERED TO BE RELEVANT		
Category*	Citation of document, with indication, where appropriate, of the relevant passages	Relevant to claim No.
X -- Y Y	US 6,359,272 B1 (SADEK et al.) 19 March 2002 (19.03.2002), entire document, especially col 10, ln 1-4; col 10, ln 17-27; col 10, ln 62-65; FIG. 9; FIG. 10 US 4,801,774 A (HART) 31 January 1989 (31.01.1989), entire document, especially col 2, ln 43-49; col 2, ln 55-58	1-18, 21 ----- 19-20 19-20
<input type="checkbox"/> Further documents are listed in the continuation of Box C. <input type="checkbox"/>		
* Special categories of cited documents: "A" document defining the general state of the art which is not considered to be of particular relevance "E" earlier application or patent but published on or after the international filing date "L" document which may throw doubts on priority claim(s) or which is cited to establish the publication date of another citation or other special reason (as specified) "O" document referring to an oral disclosure, use, exhibition or other means "P" document published prior to the international filing date but later than the priority date claimed "I" later document published after the international filing date or priority date and not in conflict with the application but cited to understand the principle or theory underlying the invention "X" document of particular relevance: the claimed invention cannot be considered novel or cannot be considered to involve an inventive step when the document is taken alone "Y" document of particular relevance: the claimed invention cannot be considered to involve an inventive step when the document is combined with one or more other such documents, such combination being obvious to a person skilled in the art "&" document member of the same patent family		
Date of the actual completion of the international search 18 Jul 2007 (18.07.2007)		Date of mailing of the international search report 25 SEP 2007
Name and mailing address of the ISA/US Mail Stop PCT, Attn: ISA/US, Commissioner for Patents P.O. Box 1450, Alexandria, Virginia 22313-1450 Facsimile No. 571-273-3201		Authorized officer: Lee W. Young PCT Helpdesk: 571-272-4300 PCT OSP: 571-272-7774