

(19) World Intellectual Property Organization  
International Bureau



(43) International Publication Date  
16 November 2006 (16.11.2006)

PCT

(10) International Publication Number  
**WO 2006/121754 A3**

- (51) International Patent Classification:  
A61M 31/00 (2006.01) A61D 7/00 (2006.01)
- (21) International Application Number:  
PCT/US2006/017150
- (22) International Filing Date: 3 May 2006 (03.05.2006)
- (25) Filing Language: English
- (26) Publication Language: English
- (30) Priority Data:  
60/678,125 5 May 2005 (05.05.2005) US
- (71) Applicant (for all designated States except US): **ROBERT H. CARPENTER DVM, PC** [US/US]; 1303 Pecan Street, Bastrop, Texas 78602 (US).

AT, AU, AZ, BA, BB, BG, BR, BW, BY, BZ, CA, CH, CN, CO, CR, CU, CZ, DE, DK, DM, DZ, EC, EE, EG, ES, FI, GB, GD, GE, GH, GM, HR, HU, ID, IL, IN, IS, JP, KE, KG, KM, KN, KP, KR, KZ, LC, LK, LR, LS, LT, LU, LV, LY, MA, MD, MG, MK, MN, MW, MX, MZ, NA, NG, NI, NO, NZ, OM, PG, PH, PL, PT, RO, RU, SC, SD, SE, SG, SK, SL, SM, SY, TJ, TM, TN, TR, TT, TZ, UA, UG, US, UZ, VC, VN, YU, ZA, ZM, ZW.

(84) Designated States (unless otherwise indicated, for every kind of regional protection available): ARIPO (BW, GH, GM, KE, LS, MW, MZ, NA, SD, SL, SZ, TZ, UG, ZM, ZW), Eurasian (AM, AZ, BY, KG, KZ, MD, RU, TJ, TM), European (AT, BE, BG, CH, CY, CZ, DE, DK, EE, ES, FI, FR, GB, GR, HU, IE, IS, IT, LT, LU, LV, MC, NL, PL, PT, RO, SE, SI, SK, TR), OAPI (BF, BJ, CF, CG, CI, CM, GA, GN, GQ, GW, ML, MR, NE, SN, TD, TG).

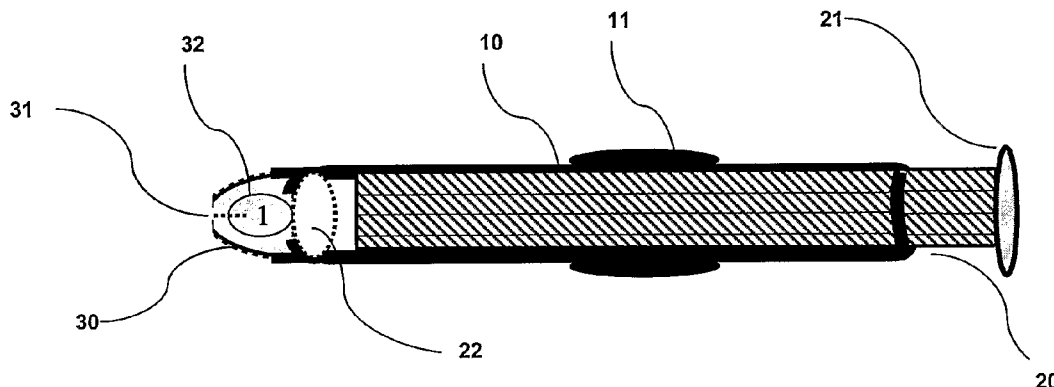
- (72) Inventors; and
- (75) Inventors/Applicants (for US only): **WESTERHOLM, Erin, Carpenter** [US/US]; 1305 Madeline Place, Fort Worth, Texas 76107 (US). **CARPENTER, Robert, Hunt** [US/US]; 1303 Pecan Street, Bastrop, Texas 78602 (US).
- (74) Common Representative: **CARPENTER, Robert, Hunt**; 1303 Pecan Street, Bastrop, Texas 78602 (US).
- (81) Designated States (unless otherwise indicated, for every kind of national protection available): AE, AG, AL, AM,

**Published:**  
— with international search report  
— before the expiration of the time limit for amending the claims and to be republished in the event of receipt of amendments

(88) Date of publication of the international search report:  
22 March 2007

For two-letter codes and other abbreviations, refer to the "Guidance Notes on Codes and Abbreviations" appearing at the beginning of each regular issue of the PCT Gazette.

(54) Title: DEVICE CAPABLE OF DELIVERY OF HIGHLY SOLUBLE PHARMACEUTICAL DOSE FORMS INTO BODY SPACES



(57) Abstract: A medicinal applicator that includes a flexible tube with a bore hole or lumen traversing the entire length of the flexible tube from a proximal end of the flexible tube to a distal end of the flexible tube; a plunger traversing the bore hole or lumen of the flexible tube; an elastic membrane having a self-sealing and relatively watertight opening and covering the bore hole or lumen forming a delivery end of the flexible tube; and a removable finger retaining loop is detailed. In a preferred embodiment, the delivery end of the flexible tube and the plunger form a therapeutic holding chamber that remains watertight under the physiological conditions of a body cavity until the plunger is depressed at the proximal end mechanically propelling the medicament through the watertight opening of the elastic membrane into the body cavity.

WO 2006/121754 A3

# INTERNATIONAL SEARCH REPORT

International application No  
PCT/US2006/017150

**A. CLASSIFICATION OF SUBJECT MATTER**  
 INV. A61M31/00 A61D7/00

According to International Patent Classification (IPC) or to both national classification and IPC

**B. FIELDS SEARCHED**  
 Minimum documentation searched (classification system followed by classification symbols)  
 A61M A61J A61D A61F A61C A61B A61K

Documentation searched other than minimum documentation to the extent that such documents are included in the fields searched

Electronic data base consulted during the international search (name of data base and, where practical, search terms used)  
 EPO-Internal, WPI Data

**C. DOCUMENTS CONSIDERED TO BE RELEVANT**

Category*	Citation of document, with indication, where appropriate, of the relevant passages	Relevant to claim No.
X	US 4 578 061 A (LEMELSON JEROME H [US]) 25 March 1986 (1986-03-25) column 3, line 53 - column 4, line 17; figures 2,3 column 7, line 34 - column 7, line 58; figures 2,3 -----	9
A	FR 2 794 372 A (LABORATOIRES DOMS ADRIAN) 8 December 2000 (2000-12-08) page 1, line 5 - page 1, line 7 page 2, line 6 - page 3, line 4 page 5, line 7 - page 5, line 24; figures 1-3 ----- <div style="text-align: center;">-/--</div>	1-8,10

Further documents are listed in the continuation of Box C.       See patent family annex.

\* Special categories of cited documents :

<p>"A" document defining the general state of the art which is not considered to be of particular relevance</p> <p>"E" earlier document but published on or after the international filing date</p> <p>"L" document which may throw doubts on priority claim(s) or which is cited to establish the publication date of another citation or other special reason (as specified)</p> <p>"O" document referring to an oral disclosure, use, exhibition or other means</p> <p>"P" document published prior to the international filing date but later than the priority date claimed</p>	<p>"T" later document published after the international filing date or priority date and not in conflict with the application but cited to understand the principle or theory underlying the invention</p> <p>"X" document of particular relevance; the claimed invention cannot be considered novel or cannot be considered to involve an inventive step when the document is taken alone</p> <p>"Y" document of particular relevance; the claimed invention cannot be considered to involve an inventive step when the document is combined with one or more other such documents, such combination being obvious to a person skilled in the art.</p> <p>"&amp;" document member of the same patent family</p>
--	--

Date of the actual completion of the international search  <b>10 January 2007</b>	Date of mailing of the international search report  <b>17/01/2007</b>
---	---

Name and mailing address of the ISA/ European Patent Office, P.B. 5818 Patentlaan 2 NL - 2280 HV Rijswijk Tel. (+31-70) 340-2040, Tx. 31 651 epo nl, Fax: (+31-70) 340-3016	Authorized officer  <b>Rolland, Philippe</b>
---	--

## INTERNATIONAL SEARCH REPORT

International application No  
PCT/US2006/017150

C(Continuation). DOCUMENTS CONSIDERED TO BE RELEVANT		
Category*	Citation of document, with indication, where appropriate, of the relevant passages	Relevant to claim No.
A	US 5 788 664 A (SCALISE ET AL) 4 August 1998 (1998-08-04) column 1, line 6 - column 1, line 21 column 2, line 45 - column 3, line 56; claim 1; figures 1-4 -----	1-8,10
A	US 2003/158510 A1 (HUANG DEBORAH) 21 August 2003 (2003-08-21) page 1, paragraph 10 page 1, paragraph 20 - page 2, paragraph 24; figures 2-8 -----	1-8,10
A	FR 2 524 309 A (LISS IRENE) 7 October 1983 (1983-10-07) page 1, line 33 - page 2, line 17 page 3, line 1 - page 4, line 14; figures 1-3 -----	1-8,10

FURTHER INFORMATION CONTINUED FROM PCT/ISA/ 210

Continuation of Box II.1

Claims Nos.: 11-17

Rule 39.1(iv) PCT - Method for treatment of the human or animal body by surgery

-----

Continuation of Box II.2

Claims Nos.: 17

The subject-matter of Claim 17 relates to drawings, which is not allowable under Rule 6.2 (a) PCT, and lacks clarity (Art. 6 PCT), as it is unclear which are the technical features necessary to achieve the result desired.

The applicant's attention is drawn to the fact that claims relating to inventions in respect of which no international search report has been established need not be the subject of an international preliminary examination (Rule 66.1(e) PCT). The applicant is advised that the EPO policy when acting as an International Preliminary Examining Authority is normally not to carry out a preliminary examination on matter which has not been searched. This is the case irrespective of whether or not the claims are amended following receipt of the search report or during any Chapter II procedure. If the application proceeds into the regional phase before the EPO, the applicant is reminded that a search may be carried out during examination before the EPO (see EPO Guideline C-VI, 8.5), should the problems which led to the Article 17(2) declaration be overcome.

# INTERNATIONAL SEARCH REPORT

International application No.  
PCT/US2006/017150

## Box II Observations where certain claims were found unsearchable (Continuation of item 2 of first sheet)

This International Search Report has not been established in respect of certain claims under Article 17(2)(a) for the following reasons:

1.  Claims Nos.: 11-17  
because they relate to subject matter not required to be searched by this Authority, namely:  
Rule 39.1(iv) PCT - Method for treatment of the human or animal body by surgery
2.  Claims Nos.: 17  
because they relate to parts of the International Application that do not comply with the prescribed requirements to such an extent that no meaningful International Search can be carried out, specifically:  
see FURTHER INFORMATION sheet PCT/ISA/210
3.  Claims Nos.:  
because they are dependent claims and are not drafted in accordance with the second and third sentences of Rule 6.4(a).

## Box III Observations where unity of invention is lacking (Continuation of item 3 of first sheet)

This International Searching Authority found multiple inventions in this international application, as follows:

see additional sheet

1.  As all required additional search fees were timely paid by the applicant, this International Search Report covers all searchable claims.
2.  As all searchable claims could be searched without effort justifying an additional fee, this Authority did not invite payment of any additional fee.
3.  As only some of the required additional search fees were timely paid by the applicant, this International Search Report covers only those claims for which fees were paid, specifically claims Nos.:
4.  No required additional search fees were timely paid by the applicant. Consequently, this International Search Report is restricted to the invention first mentioned in the claims; it is covered by claims Nos.:

### Remark on Protest

The additional search fees were accompanied by the applicant's protest.

No protest accompanied the payment of additional search fees.

FURTHER INFORMATION CONTINUED FROM PCT/ISA/ 210

This International Searching Authority found multiple (groups of) inventions in this international application, as follows:

1. claims: 1-8,10

directed to a medicinal applicator with a manual guiding system

---

2. claim: 9

directed to a medicinal applicator with a video guiding system

---

# INTERNATIONAL SEARCH REPORT

Information on patent family members

International application No

PCT/US2006/017150

Patent document cited in search report		Publication date	Patent family member(s)	Publication date
US 4578061	A	25-03-1986	NONE	
FR 2794372	A	08-12-2000	NONE	
US 5788664	A	04-08-1998	NONE	
US 2003158510	A1	21-08-2003	GB 2385273 A	20-08-2003
FR 2524309	A	07-10-1983	NONE	