

(19) World Intellectual Property Organization
International Bureau



(10) International Publication Number
WO 2011/007349 A1

(43) International Publication Date
20 January 2011 (20.01.2011)

(51) International Patent Classification:
H04L 12/28 (2006.01) *G06F 19/00* (2006.01)
A63F 9/24 (2006.01)

(21) International Application Number:
PCT/IL2010/000559

(22) International Filing Date:
13 July 2010 (13.07.2010)

(25) Filing Language: English

(26) Publication Language: English

(30) Priority Data:
61/225,756 15 July 2009 (15.07.2009) US
61/254,882 26 October 2009 (26.10.2009) US
61/267,595 8 December 2009 (08.12.2009) US

(72) Inventor; and

(71) Applicant : **BINDER, Yehuda** [IL/IL]; 30 Yeshurun Street, 45200 Hod Hasharon (IL).

(74) Agent: **REINHOLD COHN & PARTNERS**; P.O.B. 13239, 61131 Tel-Aviv (IL).

(81) Designated States (unless otherwise indicated, for every kind of national protection available): AE, AG, AL, AM, AO, AT, AU, AZ, BA, BB, BG, BH, BR, BW, BY, BZ,

CA, CH, CL, CN, CO, CR, CU, CZ, DE, DK, DM, DO, DZ, EC, EE, EG, ES, FI, GB, GD, GE, GH, GM, GT, HN, HR, HU, ID, IL, IN, IS, JP, KE, KG, KM, KN, KP, KR, KZ, LA, LC, LK, LR, LS, LT, LU, LY, MA, MD, ME, MG, MK, MN, MW, MX, MY, MZ, NA, NG, NI, NO, NZ, OM, PE, PG, PH, PL, PT, RO, RS, RU, SC, SD, SE, SG, SK, SL, SM, ST, SV, SY, TH, TJ, TM, TN, TR, TT, TZ, UA, UG, US, UZ, VC, VN, ZA, ZM, ZW.

(84) Designated States (unless otherwise indicated, for every kind of regional protection available): ARIPO (BW, GH, GM, KE, LR, LS, MW, MZ, NA, SD, SL, SZ, TZ, UG, ZM, ZW), Eurasian (AM, AZ, BY, KG, KZ, MD, RU, TJ, TM), European (AL, AT, BE, BG, CH, CY, CZ, DE, DK, EE, ES, FI, FR, GB, GR, HR, HU, IE, IS, IT, LT, LU, LV, MC, MK, MT, NL, NO, PL, PT, RO, SE, SI, SK, SM, TR), OAPI (BF, BJ, CF, CG, CI, CM, GA, GN, GQ, GW, ML, MR, NE, SN, TD, TG).

Published:

- with international search report (Art. 21(3))
- before the expiration of the time limit for amending the claims and to be republished in the event of receipt of amendments (Rule 48.2(h))

(54) Title: SEQUENTIALLY OPERATED MODULES

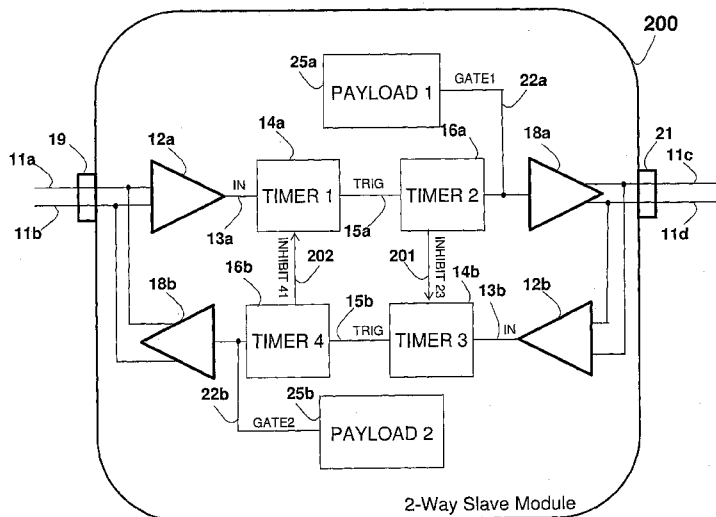


FIG. 20

(57) Abstract: Method, modules and a system formed by connecting the modules for controlling payloads. An activation signal is propagated in the system from one module to the modules connected to it. Upon receiving an activation signal, the module (after a pre-set or random delay) activates a payload associated with it, and transmits the activation signal (after another pre-set or random delay) to one or more modules connected to it. The system is initiated by a master module including a user activated switch producing the activation signal. The activation signal can be propagated in the system in one direction from the master to the last module, or carried bi-directionally allowing two way propagation, using a module which revert the direction of the activation signal propagation direction. A module may be individually powered by an internal power source such as a battery, or connected to an external power source such as AC power.

WO 2011/007349 A1

SEQUENTIALLY OPERATED MODULES

CROSS-REFERENCE TO RELATED APPLICATIONS

5 Priority is claimed for U.S. Provisional Applications 61/225,756, filed July 15, 2009; 61/254,882, filed October 26, 2009; and 61/267,595, filed December 8, 2009, the disclosures of which are incorporated herein by reference.

FIELD OF THE INVENTION

10 The present invention relates generally to a system including interconnected modules, and, more particularly, to a system wherein a signal, such as a payload control or activation signal, is propagated sequentially from one module to another module connected thereto for controlling a payload or payloads.

BACKGROUND OF THE INVENTION

15 Examples of a distributed control system having modules connected for distributed control of payloads are disclosed in U.S. Patent 5,841,360 to Binder entitled: "Distributed Serial Control System", in U.S. Patent 6,480,510 to the same inventor entitled: "Local area network of serial intelligent cells", and in U.S. Patent 6,956,826 to the same inventor entitled: "Local area network for distributing data communication, sensing and control signals", which are all incorporated in their entirety for all purposes as if fully set forth herein.

20 Toys are known in the art for providing amusement, education and entertainment particularly for children. Toy building sets and building blocks known as LEGO® bricks are disclosed in U.S. Patent 3,034,254 to Christiansen entitled: "Toy Building Sets and Building Blocks". Examples of electrically conductive toys such as conductive LEGO® bricks are disclosed in U.S. Patent 6,805,605 to Reining *et al.* entitled: "Electrically Conductive Block Toy", in U.S. Patent 4,883,440 to Bolli entitled: "Electrified Toy Building Block with Zig-Zag Current Carrying Structure", and in U.S. Patent 5,848,503 to Toft *et al.* entitled: "Constructional Building Set Having an Electric Conductor", which are all incorporated in their entirety for all purposes as if fully set forth herein. Three-dimensional conductive building block toys are

disclosed in U.S. Patent Application Publication Number 2007/0184722 to Doherty entitled: "Powered Modular Building Block Toy", which is incorporated in its entirety for all purposes as if fully set forth herein.

In consideration of the foregoing, it would be an advancement in the art to provide a method and system that is simple, cost-effective, faithful, reliable, has a minimum part count, minimum hardware, and / or uses existing and available components for providing additional functionalities, amusement, education, entertainment and a better user experience relating to control of one or more payloads.

SUMMARY OF THE INVENTION

In one aspect of the present invention, a module or modules each having payload (or payloads) and related methods are described, and a system formed by plurality of connected modules. The payload (or payloads) in the system are activated or controlled based on a logic embedded in the modules or the system. The payloads may be activated or controlled sequentially, wherein a payload in a module is activated based on an activation signal propagated in the system according to the modules connection scheme.

A module may include a payload functionality, which includes receiving an activation signal, waiting for a pre-set time period and then activating (or controlling) a payload associated with the module. Further, the module may transmit the activation signal to another connected module concurrently with the payload activation (or control), or after a pre-set time period (independent from the former time period). A payload functionality may include two timers, one used for the initial delay from receiving the activation signal until generating an activation of the payload via an activation or control port, and another timer triggered at the end of the initial delay and active until transmitting the activation signal to a connected module. Each of the timers may be delay-line or monostable based. The payload may be part of the payload functionality and may be integrated within the module housing, or can be external to the module and activated or controlled via a corresponding connector. Further, payload activation may use either level activation ('active low' or 'active high') or edge triggering (rising or trailing edge).

In one aspect, a timer (or both timers) introduces a random time delay selected within a specified range. The delay can be randomly selected upon power up and retained throughout the operation until de-energized, or can be selected each time the activation signal is propagated through the module. The random delay scheme includes a random signal generator coupled to

the timer to control its delay. The random signal generator may be based on a digital random signal generator having a digital output. Alternatively, the random signal generator may be based on analog random signal generator having an analog output. Analog random signal generator may use a digital random signal generator which output is converted to analog using analog to digital converter, or can use a repetitive analog signal generator (substantially not synchronized to any other timing in the system) which output is randomly time sampled by a sample and hold. A random signal generator (having either analog or digital output) can be hardware based, using a physical process such as thermal noise, shot noise, nuclear decaying radiation, photoelectric effect or other quantum phenomena, or can be software based, using a processor executing an algorithm for generating pseudo-random numbers which approximates the properties of random numbers.

A module includes one or more connectors for connecting to other modules for forming a system. In one aspect, each connector is used for connecting to a single other module using a point-to-point connection scheme. A connection may be input only, being operative only to receive an activation signal from the connected module, and thus including a line receiver connected to the connector for receiving the activation signal. A connection may be output only, being operative only to transmit an activation signal to the connected module, and thus including a line driver connected to the connector for receiving the activation signal. A connection may double as both input and output functions, being operative both to transmit an activation signal to the connected module by a line driver and to receive an activation signal from the connected module by a line receiver. The connection may use balanced (e.g. RS-422 or RS-485) or single-ended communication (e.g. RS-232 or RS-423), using corresponding line driver and / or line receiver, and may use either level activation ('active low' or 'active high') or edge triggering (rising or trailing edge).

A module may include the payload functionality connected to an input (or input / output connection), wherein the activation signal received from the line receiver initiates the payload functionality. Further, a module may include the payload functionality connected to an output (or input / output connection), wherein the activation signal output from the payload functionality is fed to the line driver and transmitted to the connected module. Furthermore, a module that includes two or more connections may include multiple payload functionalities, each connected between an input connection and an output connection of the module.

Modules may have different activation signal routing schemes. A basic slave module includes two connections (with payload functionality connected therebetween), and is operative to propagate an activation signal between these connections. A splitter functionality, included for example in a basic splitter module, involves receiving an activation signal in a single connection and transmitting it (e.g., after a delay and / or payload functionality operation) to two or more connections. A loopback functionality, included for example in a basic loopback module, involves transmitting of an activation signal to the connection it was received from (e.g., after a delay and / or payload functionality operation). A master module include means, such as a manually operated switch, to produce an activation signal without receiving any such activation signal from a connected module, and thus initiates the propagation of the activation signal in a system. A module may double to include various functionalities, such as a slave / splitter module including both slave and splitter functionalities, a master / loopback module including both master and loopback functionalities, and a master / splitter module including both master and splitter functionalities. The signal propagation within a module may use either level activation ('active low' or 'active high') or edge triggering (rising or trailing edge), or any combination thereof.

The propagation of the activation signal in the system may be unidirectional (e.g., simplex) using 1-way modules, operative to pass the activation signal only in one direction (from an upstream connection to one or few downstream connections). In such system, the activation signal is initiated in a master module, and then it propagates through the connected modules downstream (away from the master module) until reaching the module (or the modules) connected only upstream, rendering the system idle afterwards. The system remains idle until the sequence is re-initiated by the master module, since each such initiation produces a single propagation from the master module downstream.

The activation signal can be initiated by a switch, such as a human operated mechanical switch, which is housed in the master module or connected thereto via a connector. Alternatively or additionally, the master module may repetitively generate activation signal upon powering up or controlled by the user (e.g. via a switch). Further, the activation signal may be triggered by a physical phenomenon using an appropriate sensor, such as a sensor responsive to temperature, humidity, pressure, audio, vibration, light, motion, sound, proximity, flow rate, electrical voltage, and electrical current. The activation signal may be generated in response to comparing the sensor output (after conditioning) with a set value. The sensor and its related circuits (e.g.

amplifier, comparator and reference generator) may be partly or fully housed within the master module enclosure, or external to it.

The propagation of the activation signal in the system may be bidirectional using 2-way modules, operative to pass the activation signal in both directions (from an upstream connection to one or few downstream connections and from a downstream connection to one or few upstream connections). The activation signal passing between two modules may be half-duplex or full duplex. Full duplex transmission may use a dedicated wire pair for each direction, totaling four conductors. Alternatively, a hybrid circuitry may be used providing two-way communication over two conductors. In a 2-way system, the activation signal is initiated in a master module, and then it propagates through the connected modules downstream (away from the master module) until reaching the module (or the modules) having a loopback functionality. The loopback function reverts the propagation direction from downstream to upstream towards the master module. Upon reaching the master module the system remains idle until the sequence is re-initiated by the master module, since each such initiation produces a single propagation cycle from the master module downstream followed by a single upstream sequence ending in the master module. In the case wherein the master module further includes a loopback functionality, the activation signal will be reverted downstream again, causing infinite system cycling downstream and upstream.

A payload may be controlled by a control signal, which may be the activation signal or depend on the activation signal, such that the payload is activated when the control signal is active. Alternatively, the module may be latched and stays activated upon triggered by a control signal. Further, a payload may be toggle controlled, wherein the control signal shifts the payload from a state to another state (or between two states such as 'on' and 'off') each time the control signal is active.

A module may be individually powered from a power source. The power source may be integrated into the module enclosure, and can be a battery, either primary or rechargeable type, which may reside in a battery compartment. Alternatively, the power source may reside external to the module enclosure, such as powering from AC power outlet via common AC/DC adapter containing a step-down transformer and an AC to DC converter (rectifier). A DC / DC converter may be used in order to adapt the power voltage from a source into one or more voltages used by the various module electrical circuits.

Alternatively, a remote powering scheme may be used, wherein a single connection to a power source may be used to power few or all of the modules in the system. A module is powered from the power carrying wires, and may supply the power to other modules connected to it. The power may be carried (either as AC or as DC power) to the modules in the system over wires connecting the modules. Dedicated power conductors may be used, being separated from the wires used for propagating the activation signal. The same connector may be used to connect to both the power and the activation signals wires. Similarly, the same wire pair (or wire pairs) carrying the activation signal (or other data) may be concurrently used to carry the power signal (either as AC or as DC power). The activation signal and the power signal are concurrently carried over the same wires either using multiplexing such as frequency division multiplexing (FDM) wherein filters are used to separate and / or combine the signals, or by using split-tap transformer or by using phantom channel for carrying the power. In the case of remote powering, a powering functionality (either as a dedicated powering module or integrated with another module functionality) is used in order to connect to be fed from the power source, and to the system module (or modules) in order to feed the power signal over the power wires, without interfering with the activation signal propagation.

A payload associated with a module may be either housed within the module enclosure, or be external to the module and connected to it via a connector. Further, a payload may be powered from the same power source as the one powering the associated module, or may be powered from a dedicated or separated power source. Payload activation may include its powering by a switch connected between a power source and the payload, where the switch is activated based on the activation signal.

In one aspect of the invention, the payload control involves randomness. For example, a signal representing a value within a specified range is connected to the payload for controlling it. The value can be randomly selected upon power up and retained throughout the operation until the module is de-energized, or can be selected each time the activation signal is propagated through the module and is operative to activate the payload. The randomness is based on a random signal generator, which may be based on a digital random signal generator having a digital output or an analog output. Analog random signal generator may use a digital random signal generator which output is converted to analog using analog to digital converter, or can use a repetitive analog signal generator (substantially not synchronized to any other timing in the system) which output is randomly time sampled by a sample and hold. A random signal

generator (having either analog or digital output) can be hardware based using a physical process, or can be software based, using an processor executing an algorithm for generating pseudo-random numbers which approximates the properties of random numbers.

5 The payload may be randomly inhibited from being activated (e.g. even in the case of activation signal received in a module). The activation of the payload may dependent upon a random signal generator (analog or digital), which output is compared (using analog or digital comparator) with a specified value (analog or digital reference). The specified value, and the probability of the random signal to generate a signal above or below this value, determines the probability of activating the payload. Further, multiple payload can be used, wherein a single (or
10 few) payloads are selected to be activated based on a random process.

A module may activate or control a single payload or plurality of payloads. The plurality of payloads can be all activated together in response to an activation signal, or alternatively may use different delays associated with each payload, generated by a distinct related timer. Alternatively, one payload may be activated (or controlled) each time an activation signal is
15 received. The activated payload may be selected sequentially or randomly. Further, a different payload may be selected based on the direction of the activation signal propagation in the system.

Few or all the modules in a system can share the control of a single or a plurality of payloads. The wires used to activate or control the shared payload (or payloads) are connected in
20 parallel (or serially) to all modules involved in the payloads control. The payloads control wires can be routed along the system by dedicated connectors used to connect each pair of modules connected for passing the activation signal therebetween. Further, the same connectors used for connecting the modules for passing the activation signal (or the power signal, in the case of remote powering) may be used to connect the payload control / activation wires, as part of the
25 system wiring infrastructure.

The payload may be controlled by an analog signal port, such as analog voltage, current or resistance. The analog signal port may be connected via the system wiring or externally to two or more modules, or to all modules in the system, thus sharing the analog control capability. Upon activation of a module, an analog signal is connected to the analog control port for
30 controlling the payload.

In one aspect of the invention a device for passing a signal from a first device to a second device identical to the first device and for using the signal to control a payload is

described, the device comprising a first connector for connecting to the first device, a first line receiver coupled to the first connector for receiving a first signal from the first device, a first timer coupled to the line receiver for producing a second signal that is delayed by a first time period from the first signal, a second connector, capable of mating with the first connector, configured to be connectable to the second device, a first line driver coupled between the first timer and the second connector and operative to transmit the second signal to a line receiver of the same type as the first line receiver in the second device, a control circuit coupled to the first line receiver for generating a control signal in response to the first signal, the control circuit having a control port coupleable to control the payload by the control signal, and a single enclosure housing the first and second connectors, the first line receiver, the first line driver, the first timer and the control port. The first line receiver may be operative to receive the first signal in an unbalanced signal form (such as substantially according to RS-232 or RS-423 standards), and the first line driver may be operative to transmit the second signal in an unbalanced signal form (such as substantially according to RS-232 or RS-423 standards). Alternatively or additionally, the first line receiver may be operative to receive the first signal in a balanced signal form (such as substantially according to RS-422 or RS-485 standards), and the first line driver may be operative to transmit the second signal in a balanced signal form (such as substantially according to RS-422 or RS-485 standards). The device may further include a firmware and a processor for executing instruction embedded in the firmware, and the processor may be coupled to control the control port.

The control circuit may comprise a second timer for producing a control signal that is constituted by the first signal delayed by a second time period, and each of the first and second timers may be an RC based monostable circuit or a delay line. Further, each of the first and second time periods may be set by a user.

The device may be used in combination with the payload, and the payload may be housed within the single enclosure and connected to the control port to be controlled by the control signal. The control port may be a connector that is connectable to control the payload.

In one aspect, the device may further comprise a third connector capable of mating with the first connector for connecting to a third device identical to the second device, and a second line driver coupled between the first timer and the third connector, the device may further be operative to transmit the second signal to a line receiver of the same type as the first line receiver in the third device. The device may further comprise in its single enclosure a second timer

coupled between the first line receiver and the second line driver for producing a third signal that is delayed by a second time period from the first signal, and the second line driver may be connected for transmitting the third signal to the third device.

The device may further be operative for two way operation, and further may comprise a
5 second line receiver coupled to the second connector for receiving a third signal from the second device, and a second line driver coupled to the first connector and to the second line receiver for transmitting the third signal to the first device. Further, the device may comprise a second timer coupled between the second line receiver and the second line driver for producing a fourth signal that is delayed by a second time period from the first signal, and further the second line driver
10 may be connected for transmitting the third signal to the first device. The control circuit may be coupled to the second line receiver and the control signal may be generated in response to the third signal. The second signal may be carried over a first wire pair and the third signal may be carried over a second wire pair distinct from the first wire pair, or alternatively the second and third signals may be carried over the same single wire pair. In the latter case, the device may
15 comprise a three-port circuit (which may be based on a hybrid circuit) coupled between the first line driver, the second line receiver and the second connector, and the three-port circuit may be operative to substantially pass only the second signal between the first line driver and the second connector and to substantially pass only the third signal between the second connector and the second line receiver.

The device may comprise a power source (which may be housed in the device single
20 enclosure) for powering the first line receiver, the first line driver, and the first timer. The power source may be a primary type battery or a rechargeable type battery, and the battery may be housed in a battery compartment. Further, the battery may feed a DC/DC converter coupled to it. Alternatively or in addition, the device may be powered from an external power source such as
25 domestic AC power outlet, and may further comprise a power connector for connecting to the power source and for powering the first line receiver, the first line driver, and the first timer from the power source. The device may further comprise an AC/DC adapter powered from the AC power outlet, and the AC/DC adapter may comprise a step-down transformer and an AC/DC converter for DC powering the device. Further, a payload (which may be in the single enclosure)
30 may be coupled to the power connector for being powered from the external power source.

Alternatively or in addition, the device may be adapted for remote powering from the first device, wherein the first line receiver, the first line driver, and the first timer are coupled to

be powered by a power signal from the first connector. The second connector may be also coupled to the power signal for supplying power to the second device. The power signal may be a DC power signal, and the device further may comprise a DC/DC converter powered by the DC power signal from the first connector. The device may further comprise a power supply powered
5 from the power signal, for powering the first line receiver, the first line driver, and the first timer. The first signal may be carried over a first wire pair and the power signal may be carried over a second wire pair distinct from the first wire pair, or alternatively the first signal and the power signal may be carried concurrently over the same wires. In the latter case, the device may further comprise a power/data splitter/combiner coupled between the first line receiver, the first
10 connector and the power supply, the power/data splitter/combiner being operative to substantially pass only the first signal between the first line receiver and the first connector and to substantially pass only the power signal between the first connector and the power supply.

The power signal and the first signal are carried together over the same wires using Frequency Division Multiplexing (FDM), where the power signal is carried at a single frequency
15 and the first signal is carried in a frequency band distinct from the single frequency. The power/data splitter/combiner may comprise a first filter operative to substantially pass only the single frequency and a second filter operative to substantially pass only the frequency band. Alternatively or in addition, the power/data splitter/combiner may comprise a center tap transformer and a capacitor connected between the transformer windings. In one aspect, the
20 power signal and the first signal may be carried using a phantom channel, where the power signal is carried over the phantom channel formed by two center-tap transformers in the power/data splitter/combiner.

In one aspect of the invention, the device comprises a power source (which may be in the device single enclosure) for powering the first line receiver, the first line driver, and the first
25 timer. The device may further comprise, or can be used with, a payload. The payload may be in the device single enclosure and may be powered from the power source. Alternatively or in addition, the device may comprise a payload connector connectable to the payload and being coupled to the power source for powering the payload from the power source. The device may further comprise electrically activated switch (connected to be activated by the control port) that
30 is connected between the payload and the power source, for powering the payload upon activation of the electrically activated switch by the control port.

The device may further comprise a random signal generator connected for controlling a parameter in the device allowing for device random operation. The random signal generator may be based entirely on hardware and may be based on a physical process such as a thermal noise, a shot noise, decaying nuclear radiation, a photoelectric effect and a quantum phenomenon.

5 Alternatively or in addition, the random signal generator may include software (such as an algorithm for generating pseudo-random numbers) and a processor executing the software, and may be coupled to the first timer for controlling the delay introduced by it. Further, the random signal generator may be coupled for controlling or activating the payload. The random signal generator may be activated only at power up of the device for generating a single output value, or activated upon receiving the first signal from the first line receiver. The random signal generator output may be used to activate a switch in the device. The device may further comprise a reference signal source (having analog or digital output) and a comparator (analog or digital) connected to provide a digital logic signal based on comparing the random signal generator output and the reference signal source output. The random signal generator may provide an analog or digital output, the reference signal source may provide an analog or digital signal output, and the comparator may be an analog or digital comparator. The device may be used to control multiple payloads and may comprise a plurality of reference signal sources and a plurality of comparators, wherein the comparators are connected to provide digital logic signals based on comparing the random signal generator output and the reference signal source outputs; and the digital logic signals may be coupled to control or activate a respective one of the multiple payloads.

10
15
20

In one aspect of the invention, a device for randomly delaying an activation signal to a payload is described. The device may comprise a first connector for connecting to a wiring, a line receiver coupled to the first connector for receiving an activation signal from the wiring, a first timer coupled to the line receiver for producing a delayed activation signal that is delayed by a first time period from the activation signal, a control port coupleable to activate the payload by coupling the delayed activation signal to the payload, a random signal generator operative to output a random signal and being coupled to control the delay produced by the first timer, and a single enclosure housing the first connector, the line receiver, the first timer, the random signal generator and the control port. The random signal generator may be based entirely on hardware and may be based on a physical process such as a thermal noise, a shot noise, decaying nuclear radiation, a photoelectric effect and a quantum phenomenon. Alternatively or in addition, the

25
30

random signal generator may include software (such as an algorithm for generating pseudo-random numbers) and a processor executing the software, and may be coupled to the first timer for controlling the delay introduced by it.

In one aspect of the invention, a device for randomly activating a payload is described.

5 The device may comprise a first connector for connecting to a wiring, a line receiver coupled to the first connector for receiving an activation signal from the wiring, at least one payload, a control port couplable to activate the payload by coupling a control signal to it, a first timer coupled between the line receiver and the control port for producing a control signal in response to the activation signal being delayed by a controlled first time period, a random signal generator
10 operative to output a random signal, the random signal generator being coupled to control the delay of the first timer, a reference signal source for producing a reference signal, a comparator coupled to provide a digital logic signal based on comparing the random signal with the reference signal, the digital logic signal being coupled to the control port, and a single enclosure housing the first connector, the line receiver, the first timer, the reference signal
15 source, the comparator the control port and the random signal generator, wherein the control port is operative to activate the payload in response to the delayed activation signal received by the line receiver and the digital logic signal. The random signal generator may be based entirely on hardware and may be based on a physical process such as a thermal noise, a shot noise, decaying nuclear radiation, a photoelectric effect and a quantum phenomenon. Alternatively or in
20 addition, the random signal generator may include software (such as an algorithm for generating pseudo-random numbers) and a processor executing the software, and may be coupled to the first timer for controlling the delay introduced by it. The random signal generator may provide an analog output or a digital number output, the reference signal source may provide analog signal output or a digital number output, and the comparator may be a digital or analog
25 comparator. The device may be couplable to control multiple payloads, and further comprise a plurality of reference signal sources and plurality of comparators, the comparators are connected to provide digital logic signals based on comparing the random signal generator output and the reference signal source outputs, and the digital logic signals are couplable to control or activate a respective one of the multiple payloads.

30 In one aspect according to the invention, a set of at least three modules or devices connectable to form a system for sequentially activating payloads is described. The set may comprise first, second and third modules or devices (which may be identical to one another),

each module being associated with a respective payload, and being housed in a respective single enclosure, each module may comprise a first type connector and a second type connector, all of the first type connectors being identical to one another, all of the second type connectors being identical to one another, and each of the first type connectors being configured to mate with any one of the second type connectors, and each of the modules further comprises a control port for controlling an associated payload, wherein the second connector of the first module is connectable to the first connector of the second module and the second connector of the second module is connectable to the first connector of the third module to form a system, and further wherein each module in the system may be operative to receive a first signal at the first type connector, to control the associated payload based on the first signal, to produce a second signal that is a time delayed version (which may be randomly selected within a specified range) of the first signal, and to transmit the second signal to the second type connector. The first and second modules may be mechanically attachable to each other and the third and second modules may be mechanically attachable to each other (such as only by the connectors). Each of the payloads is housed within the single enclosure of the associated module, or alternatively the payloads may be external to the single enclosure of each associated module, where each module comprises a third connector for connecting to the associated payload. Each module may comprise, in its single enclosure, a power source for powering the module, such as a primary type battery or a rechargeable type battery. A payload (which may be housed in the module single enclosure) may be powered from the power source.

The system may be formed when the second connector of the first module is connected to the first connector of the second module and the second connector of the second module is connected to the first connector of the third module. The first signals and the second signals may be carried between the modules in the system as balanced or unbalanced signals. The system may support two-way operation where each module may be further operative to receive a third signal at the second connector, to control the associated payload based on the third signal, to produce a fourth signal that is a time delayed version of the third signal, and to transmit the fourth signal to the first connector. The communication between two connected modules may be carried out using four conductors, including two conductors for each direction of communication, or may use only two conductors (e.g., using hybrid circuit). The system may be powered from a single external power source such as domestic AC power, and each module may further comprise in its respective single enclosure a payload that is powered from the external

power source. Further, the modules may be connected to supply power from one module to another module connected to the one module.

In one aspect of the invention, the device may comprise or used with a payload (which may be in the device enclosure). The payload may be an annunciator for issuing an announcement using visual signaling. Such visual signaling device may be a smoke generator or a visible light emitter such as a semiconductor device, an incandescent lamp, or a fluorescent lamp. The visible light emitter may be adapted for a steady illumination and for blinking, and may be mounted for illuminating a theme or shape of the device a part of or all of an image, or be associated with a theme or shape of the device. Alternatively or in addition, the payload may an annunciator for issuing an announcement an audible signaling using an audible signaling device such as an electromechanical or a piezoelectric sound generator (e.g. a buzzer, a chime, or a ringer). Alternatively or in addition, the audible signaling device may comprise a loudspeaker and a digital/analog converter coupled to the loudspeaker, and may be operative to generate a single tone or multiple tones (or musical tunes). Further, the sound emitted from the audible signaling device may be associated with the device theme or shape, or may emit sound which is a characteristic sound a household appliance, a vehicle, an emergency vehicle, an animal or a musical instrument. Furthermore, the sound emitted from the audible signaling device may be a song, a melody, or a human voice talking, such as a syllable, a word, a phrase, a sentence, a short story, or a long story, based on speech synthesis or pre-recorded sound.

The payload may comprise a visual signaling device which may contain a visible light emitter based on a semiconductor device (e.g. LED – Light Emitting Diode), an incandescent lamp or a fluorescent lamp. The illumination may be blinking or steady, and can further be used to illuminate part of the module or the system or both. The visible light emitter positioning, appearance, type, color or steadiness may be associated with the module or system theme or shape.

The payload may comprise an audible signaling device which may be based on electromechanical or piezoelectric means capable of generating single or multiple tones, and can be a buzzer, a chime or a ringer. In one aspect of the invention, the audible signaling device comprising a loudspeaker and a digital to analog converter coupled to the loudspeaker. The volume, type, steadiness, pitch, rhythm, dynamics, timbre or texture of the sound emitted from the audible signaling device may be associated with the module or system theme or shape. Alternatively, the sound emitted from the audible signaling device is a song or a melody,

wherein the song or melody name or content relates to the module or system theme or shape. In one aspect, the sound emitted from the audible signaling device is a human voice talking sounding of a syllable, a word, a phrase, a sentence, a short story or a long story, using speech synthesis or being pre-recorded.

5 The above summary is not an exhaustive list of all aspects of the present invention. Indeed, the inventor contemplates that his invention includes all systems and methods that can be practiced from all suitable combinations and derivatives of the various aspects summarized above, as well as those disclosed in the detailed description below and particularly pointed out in the claims filed with the application. Such combinations have particular advantages not
10 specifically recited in the above summary.

 It is understood that other embodiments of the present invention will become readily apparent to those skilled in the art from the following detailed description, wherein are shown and described only embodiments of the invention by way of illustration. As will be realized, the invention is capable of other and different embodiments and its several details are capable of
15 modification in various other respects, all without departing from the scope of the present invention as defined by the claims. Accordingly, the drawings and detailed description are to be regarded as illustrative in nature and not as restrictive.

 The above and other features and advantages of the present invention will become more fully apparent from the following description, drawings and appended claims, or may be learned
20 by the practice of the invention as set forth hereinafter. It is intended that all such additional apparatus and advantages be included within this description, be within the scope of the present invention, and be protected by the accompanying claims.

 The preferred embodiments of the invention presented here are described below in the drawings and detailed specification. Unless specifically noted, it is intended that the words and
25 phrases in the specification and the claims be given the plain, ordinary and accustomed meaning to those of ordinary skill in the applicable arts. If any other special meaning is intended for any word or phrase, the specification will clearly state and define the special meaning.

 Likewise, the use of the words "function" or "means" in the Specification or Description of the Drawings is not intended to indicate a desire to invoke the special provisions of 35 U.S.C.
30 112, Paragraph 6, to define the invention. To the contrary, if the provisions of 35 U.S.C. 112; Paragraph 6 are sought to be invoked to define the inventions, the claims will specifically state the phrases "means for" or "step for," and will clearly recite a function, without also reciting in

such phrases any structure, material or act in support of the function. Even when the claims recite a "means for" or "step for" performing a defined function, if the claims also recite any structure, material or acts in support of that means or step, or that perform the function, then the intention is not to invoke the provisions of 35 U.S.C. 112, Paragraph 6. Moreover, even if the provisions of 35 U.S.C. 112, Paragraph 6 are invoked to define the claimed inventions, it is intended that the inventions not be limited only to the specific structure, material or acts that are described in the preferred embodiments, but in addition, include any and all structures, materials or acts that perform the claimed function, along with any and all known or later-developed equivalent structures, material or acts for performing the claimed function.

BRIEF DESCRIPTION OF THE FIGURES

The invention is herein described, by way of non-limiting example only, with reference to the accompanying figures and drawings, wherein like designations denote like elements. Understanding that these drawings only provide information concerning typical embodiments of the invention and are not therefore to be considered limiting in scope:

FIG. 1 illustrates a schematic electrical diagram of part of a slave module according to an aspect of the invention;

FIG. 2 illustrates a schematic timing diagram relating to a slave module according to an aspect of the invention;

FIG. 3 illustrates a schematic electrical diagram of part of a slave module according to an aspect of the invention;

FIG. 4 illustrates a schematic electrical diagram of part of a slave module according to an aspect of the invention;

FIG. 5 illustrates a schematic electrical diagram of part of a system according to an aspect of the invention;

FIG. 5a illustrates a schematic timing diagram relating to a system according to an aspect of the invention;

FIGS. 5b, 5c, 5d and 5e illustrate a schematic timing table relating to a system according to various aspects of the invention;

FIG. 6 illustrates a schematic electrical diagram of part of a splitter module according to an aspect of the invention;

FIG. 7 illustrates a schematic electrical diagram of part of a splitter module according to an aspect of the invention;

FIG. 8 illustrates a schematic electrical diagram of part of a splitter module according to an aspect of the invention;

5 FIG. 9 illustrates a schematic electrical diagram of part of a splitter module according to an aspect of the invention;

FIG. 10 illustrates a schematic electrical diagram of part of a splitter module according to an aspect of the invention;

10 FIG. 11 illustrates a schematic electrical diagram of part of a slave / splitter module according to an aspect of the invention;

FIG. 12 illustrates a schematic electrical diagram of part of a system according to an aspect of the invention;

FIG. 13 illustrates a schematic electrical diagram of part of a system according to an aspect of the invention;

15 FIG. 14a illustrates a schematic electrical diagram of part of a master module according to an aspect of the invention;

FIG. 14b illustrates a schematic electrical diagram of part of a master module according to an aspect of the invention;

20 FIG. 15 illustrates a schematic electrical diagram of part of a master module according to an aspect of the invention;

FIG. 16 illustrates a schematic electrical diagram of part of a master module according to an aspect of the invention;

FIG. 17 illustrates a schematic electrical diagram of part of a system employing a master module according to an aspect of the invention;

25 FIG. 18 illustrates a schematic electrical diagram of part of a system employing a master module according to an aspect of the invention;

FIG. 18a illustrates a schematic electrical diagram of part of a system employing a master module according to an aspect of the invention;

30 FIGS. 19, 19a and 19b illustrate a schematic electrical diagram of part of a master module according to an aspect of the invention;

FIGS. 20, 20a, 20b and 20c illustrate a schematic electrical diagram of part of a 2-way slave module according to an aspect of the invention;

FIGS. 21, 21a and 21b illustrate a schematic electrical diagram of part of a 2-way slave module having a single payload according to an aspect of the invention;

FIG. 21c illustrates a schematic electrical diagram of part of a 2-way slave module according to an aspect of the invention;

5 FIG. 21d illustrates a schematic electrical diagram of part of two connected 2-way slave modules according to an aspect of the invention;

FIG. 21e illustrates a schematic electrical diagram of part of a 2-way slave module according to an aspect of the invention;

10 FIG. 22 illustrates a schematic electrical diagram of part of a system using 2-way slave modules according to an aspect of the invention;

FIGS. 22a, 22b and 22c illustrate a schematic timing table relating to a system according to various aspects of the invention;

FIG. 23 illustrates a schematic electrical diagram of part of a loopback module according to an aspect of the invention;

15 FIG. 24 illustrates a schematic electrical diagram of part of a system using 2-way slave modules, a master module and a loopback module according to an aspect of the invention;

FIGS. 24a, 24b and 24c illustrate a schematic timing table relating to a 2-way system according to various aspects of the invention;

20 FIG. 25 illustrates a schematic electrical diagram of part of a 2-way splitter module according to an aspect of the invention;

FIG. 25a illustrates a schematic electrical diagram of part of a 2-way slave / splitter module according to an aspect of the invention;

FIG. 25b illustrates a schematic electrical diagram of part of a 2-way slave / splitter module according to an aspect of the invention;

25 FIG. 26 illustrates a schematic electrical diagram of part of a system using 2-way slave modules, a master module, a 2-way slave / splitter module and a loopback module according to an aspect of the invention;

FIG. 26a illustrates a schematic timing table relating to a 2-way system according to various aspects of the invention;

30 FIG. 27 illustrates a schematic electrical diagram of part of a system using 2-way slave modules, a master module, a 2-way slave / splitter module and a loopback module according to an aspect of the invention;

FIG. 27a illustrates a schematic timing table relating to a 2-way system according to various aspects of the invention;

FIG. 28 illustrates a schematic electrical diagram of part of a 2-way master module according to an aspect of the invention;

5 FIG. 29 illustrates a schematic electrical diagram of part of a system using 2-way slave modules, a 2-way master module and a loopback module according to an aspect of the invention;

FIG. 29a illustrates a schematic timing table relating to a 2-way system according to various aspects of the invention;

10 FIG. 29b illustrates a schematic timing table relating to a 2-way system according to various aspects of the invention;

FIG. 30 illustrates a schematic electrical diagram of part of a 2-way master module according to an aspect of the invention;

15 FIG. 31 illustrates a schematic electrical diagram of part of a system using 2-way slave modules, a 2-way splitter module, a 2-way master module and a loopback module according to an aspect of the invention;

FIG. 31a illustrates a schematic electrical diagram of part of a system using 2-way slave modules, a 2-way splitter module and two 2-way master modules according to an aspect of the invention;

20 FIG. 32 illustrates schematic timing diagrams relating to a payload control according to various aspects of the invention;

FIG. 32a illustrates a schematic electrical diagram of part of a module according to an aspect of the invention;

25 FIG. 32b illustrates a schematic electrical diagram of part of a module according to an aspect of the invention;

FIG. 33 illustrates a schematic electrical diagram of part of a battery-powered slave module according to an aspect of the invention;

FIG. 33a illustrates a schematic electrical diagram of part of an externally-powered slave module according to an aspect of the invention;

30 FIG. 34 illustrates a schematic electrical diagram of part of a remotely-powered slave module according to an aspect of the invention;

FIG. 35 illustrates a schematic electrical diagram of part of a battery-powered powering module according to an aspect of the invention;

FIG. 36 illustrates a schematic electrical diagram of part of an externally powered powering module according to an aspect of the invention;

5 FIG. 37 illustrates a schematic electrical diagram of part of an AC-powered powering module according to an aspect of the invention;

FIG. 38 illustrates a schematic electrical diagram of part of the power related circuits of a splitter module according to an aspect of the invention;

10 FIG. 39 illustrates a schematic electrical diagram of part of the power related circuits of a master module according to an aspect of the invention;

FIG. 40 illustrates a schematic electrical diagram of part of a remote powered system using 2-way slave modules, a master module, a powering module, a 2-way slave / splitter module and a loopback module according to an aspect of the invention;

15 FIG. 41 illustrates a schematic electrical diagram of part of the power related circuits of an AC powered powering / master module according to an aspect of the invention;

FIG. 42 illustrates a schematic electrical diagram of part of the power related circuits of a battery powered powering / master module according to an aspect of the invention;

FIG. 43 illustrates a schematic electrical diagram of part of a remotely powered slave module according to an aspect of the invention;

20 FIG. 44 illustrates a schematic electrical diagram of part of a powering module for a remote powered system according to an aspect of the invention;

FIG. 45 illustrates a schematic electrical diagram of part of a powering / master module for a remote powered system according to an aspect of the invention;

25 FIG. 46 illustrates a schematic electrical diagram of part of a loopback module for a remote powered system according to an aspect of the invention;

FIG. 47 illustrates a schematic electrical diagram of part of a power / data splitter / combiner for a remote powered system according to an aspect of the invention;

FIG. 48 illustrates a schematic electrical diagram of part of a power / data splitter / combiner for a remote powered system according to an aspect of the invention;

30 FIG. 49 illustrates a schematic electrical diagram of part of a power / data splitter / combiner for a remote powered system according to an aspect of the invention;

FIG. 50 illustrates a schematic electrical diagram of part of a slave module for a remote powered system according to an aspect of the invention;

FIG. 51 illustrates a schematic electrical diagram of part of a slave module for a remote powered system according to an aspect of the invention;

5 FIG. 52 illustrates a schematic electrical diagram of part of a slave module for a remote powered system powering external payload according to an aspect of the invention;

FIG. 53 illustrates a schematic electrical diagram of part of a slave module for a remote powered system controlling external payload according to an aspect of the invention;

10 FIG. 54 illustrates a schematic electrical diagram of part of a slave module for a remote powered system controlling external payload according to an aspect of the invention;

FIG. 55 illustrates a schematic electrical diagram of part of a slave module for a remote powered system controlling and powering external payload according to an aspect of the invention;

15 FIG. 56 illustrates a schematic electrical diagram of part of a slave module using random delay according to an aspect of the invention;

FIG. 57 illustrates a schematic electrical diagram of part of a slave module using random delay according to an aspect of the invention;

FIGS. 58 and 58a illustrate a schematic electrical diagram of part of a slave module using random delay according to an aspect of the invention;

20 FIGS. 59 and 59a illustrate a schematic electrical diagram of part of a slave module using random payload control according to an aspect of the invention;

FIG. 59b illustrates a schematic electrical diagram of part of a slave module using random payload selection according to an aspect of the invention;

25 FIG. 60 depicts a perspective pictorial top view of a module enclosure according to an aspect of the invention;

FIG. 61 depicts a perspective pictorial top view of two slave modules according to an aspect of the invention;

FIG. 61a depicts a perspective pictorial side view of two slave modules according to an aspect of the invention;

30 FIG. 62 d depicts a perspective pictorial side view of two connected slave modules according to an aspect of the invention;

FIG. 62a depicts a perspective pictorial top view of three connected slave modules according to an aspect of the invention;

FIGS. 63 and 63a depict a perspective pictorial top view of two splitter modules according to an aspect of the invention;

5 FIG. 64 depicts a perspective pictorial top view of a battery-powered slave module according to an aspect of the invention;

FIGS. 64a and 64b depict a perspective pictorial top view an AC-powered master module according to an aspect of the invention;

10 FIGS. 65 and 65a depict a perspective pictorial top view of a system including a master module and three slave modules according to an aspect of the invention;

FIGS. 66 and 66a depict a perspective pictorial top view of a system including a master module and a splitter module according to an aspect of the invention;

FIGS. 67 and 67a depict a perspective pictorial top view of a system including a master module, two splitter modules and slave modules according to an aspect of the invention;

15 FIGS. 68 and 68a depict a perspective pictorial top view an AC-powered master / splitter module according to an aspect of the invention;

FIG. 69 depicts a perspective pictorial top view of a triangle-shaped AC-powered master / splitter module according to an aspect of the invention;

20 FIG. 70 depicts a perspective pictorial top view of a system including a master / splitter module connected to three branches according to an aspect of the invention;

FIG. 71 depicts a perspective pictorial top view of a square-shaped AC-powered master / splitter module according to an aspect of the invention;

FIG. 72 depicts a perspective pictorial top view of a system including a master / splitter module connected to four branches according to an aspect of the invention;

25 FIG. 73 depicts a perspective pictorial top view of a round-shaped AC-powered master / splitter module according to an aspect of the invention;

FIG. 74 depicts a perspective pictorial top view of a system including a master / splitter module connected to five branches according to an aspect of the invention;

30 FIGS. 75 and 75a depict a perspective pictorial view of a duck shaped modules according to an aspect of the invention;

FIG. 76 depicts a perspective pictorial view of a system including duck shaped modules according to an aspect of the invention;

FIGS. 77 and 77a depict perspective pictorial views of a locomotive and train-car shaped modules according to an aspect of the invention;

FIGS. 78 and 78a depict perspective pictorial views of a train shaped system according to an aspect of the invention;

5 FIG. 79 depicts pictorial views of a slave module using LEGO® strips according to an aspect of the invention;

FIGS. 80, 80a and 80b depict pictorial views of connected slave module using LEGO® strips according to an aspect of the invention;

10 FIG. 81 depicts a perspective pictorial view of a master module with LEGO® strips according to an aspect of the invention;

FIG. 82 depicts a perspective pictorial view of a system using a master module with LEGO® strips according to an aspect of the invention;

FIG. 83 depicts a perspective pictorial view of a system using a master module with LEGO® strips according to an aspect of the invention;

15 FIG. 84 depicts a perspective pictorial view of a slave module with multiple payloads and user controls according to an aspect of the invention;

FIG. 85 depicts a perspective pictorial view of a 3-D system according to an aspect of the invention;

20 FIG. 86 depicts a perspective pictorial view of a 3-D system according to an aspect of the invention;

FIG. 87 depicts a perspective pictorial view of a traffic-lights shaped 3-D system according to an aspect of the invention;

FIG. 88 depicts a perspective pictorial view of a signage system example according to an aspect of the invention;

25 FIG. 89 depicts a perspective pictorial view of a signage system example according to an aspect of the invention;

FIG. 90 illustrates a schematic electrical diagram of part of a slave module connected to control multiple payloads according to an aspect of the invention;

30 FIG. 91 illustrates a schematic electrical diagram of part of slave modules connected to control multiple payloads according to an aspect of the invention;

FIG. 92 illustrates a schematic electrical diagram of part of slave modules connected to control multiple payloads according to an aspect of the invention;

FIG. 93 illustrates a schematic electrical diagram of part of slave modules connected to control a payload according to an aspect of the invention;

FIG. 93a illustrates a schematic electrical diagram of part of slave modules connected to a control a payload according to an aspect of the invention;

5 FIG. 94 illustrates a schematic electrical diagram of part of slave modules connected to control a payload according to an aspect of the invention;

FIG. 95 illustrates a schematic electrical diagram of part of slave modules connected to control a sound generator according to an aspect of the invention;

10 FIG. 96 depicts a perspective pictorial view of music slave modules according to an aspect of the invention;

FIG. 96a depicts a perspective pictorial view of connected music slave modules according to an aspect of the invention;

FIGS. 97 and 97a depict a perspective pictorial view of music slave modules according to an aspect of the invention;

15 FIG. 97b depicts a perspective pictorial view of connected music slave modules according to an aspect of the invention;

FIG. 98 depicts a perspective front pictorial view of a drum-beating toy connected to a slave module according to an aspect of the invention;

20 FIG. 98a depicts a perspective rear pictorial view of a drum-beating toy according to an aspect of the invention;

FIG. 98b depicts a perspective rear pictorial view of drum-beating toy slave modules according to an aspect of the invention;

FIG. 98c depicts a perspective rear pictorial view of drum-beating toy slave module connected to slave modules according to an aspect of the invention;

25 FIG. 99 depicts a perspective front pictorial view of a cymbals-beating toy connected to a slave module according to an aspect of the invention; and

FIG. 99a depicts a perspective rear pictorial view of a cymbals-beating toy according to an aspect of the invention.

DETAILED DESCRIPTION

30 The principles and operation of a system according to the present invention may be understood with reference to the figures and the accompanying description wherein similar

components appearing in different figures are denoted by identical reference numerals. The drawings and descriptions are conceptual only. In actual practice, a single component can implement one or more functions; alternatively, each function can be implemented by a plurality of components and circuits. In the figures and descriptions, identical reference numerals indicate those components that are common to different embodiments or configurations. Identical numerical references (even in the case of using different suffix, such as **5**, **5a**, **5b** and **5c**) refer to functions or actual devices that are either identical, substantially similar or having similar functionality. It will be readily understood that the components of the present invention, as generally described and illustrated in the figures herein, could be arranged and designed in a wide variety of different configurations. Thus, the following more detailed description of the embodiments of the apparatus, system, and method of the present invention, as represented in the figures herein, is not intended to limit the scope of the invention, as claimed, but is merely representative of embodiments of the invention.

All directional references used herein (e.g., upper, lower, upwards, downwards, left, right, leftward, rightward, top, bottom, above, below, vertical, horizontal, clockwise, and counterclockwise, etc.) are only used for identification purposes to aid the reader's understanding of the present invention, and do not create limitations, particularly as to the position, orientation, or use of the invention. The terms 'left', 'former', 'upwards' and 'upstream' herein refer to a direction (such as a signal flow or signal direction) towards a master module. Similarly, the terms 'right', 'downwards', 'downstream' and 'next' refer to a direction or flow (such as signal flow or signal direction) away from the master module.

While the modules herein are described as connected using wires or conductors, any type of conductive transmission line can be equally used. The terms 'wire', 'conductor', 'line', 'transmission line', 'cable', 'wiring', 'wire pair' as used herein should be interpreted to include any type of conductive transmission-line, and specifically a metallic transmission line comprising two or more conductors used to carry electrical signals. Non-limiting examples are coaxial cable, PCB (Printed Circuit Board) connections and twisted pair, the latter including both UTP (Unshielded Twisted-Pair) and STP (shielded twisted-pair), as well as connections within Application Specific Integrated Circuits (ASICs). Similarly, any PAN (Personal Area Network), LAN (Local Area Network), MAN (Metropolitan Area Network) or WAN (Wide Area Network) wiring may be used as the wired medium. Further, the modules may be

connected directly by plugging mating connectors, with any cable or wiring connected between the connectors.

FIG. 1 shows a schematic electrical diagram of a slave module 10 according to one embodiment of the invention. An activation signal is received from a former module over conductors 11a and 11b via connector 19, and received by line receiver 12. The line receiver 12 typically converts the received signal to the logic levels used by the module internal digital logic circuits (e.g., CMOS, TTL, LSTTL and HCMOS). The conductors 11a and 11b may be individual wires or bundled in a cable connecting slave module 10 with the former module. In the example shown, slave module 10 is connected to the former module using a point-to-point connection and employing a balanced interface circuit. For example, industry standard TIA/EIA-422 (a.k.a. RS-422) can be used for the connection, and the line receiver 12 may be an RS-422 compliant line receiver, such as RS-422 receiver MAX3095, available from Maxim Integrated Products, Inc. of Sunnyvale, California, U.S.A., described in the data sheet "±15kV ESD-Protected, 10Mbps, 3V/5V, Quad RS-422/RS-485 Receivers" publication number 19-0498 Rev.1 10/00, which is incorporated in its entirety for all purposes as if fully set forth herein.

American national standard ANSI/TIA/EIA-422-B (formerly RS-422) and its international equivalent ITU-T Recommendation V.11 (also known as X.27), are technical standards that specify the "electrical characteristics of the balanced voltage digital interface circuit". These technical standards provide for data transmission, using balanced or differential signaling, with unidirectional/non-reversible, terminated or non-terminated transmission lines, point to point. Overview of the RS-422 standard can be found in National Semiconductor Application Note 1031 publication AN012598 dated January 2000 and titled: "TIA/EIA-422-B Overview" and in B&B Electronics publication "RS-422 and RS-485 Application Note" dated June 2006, which are incorporated in their entirety for all purposes as if fully set forth herein. While shown in FIG. 1 as un-terminated, a termination may be connected to the line receiver 12 inputs (typically a resistor with resistance matching the wiring characteristic impedance), in order to avoid reflections for supporting high data rate and long distances.

Alternatively, in order to improve the common-mode noise rejection capability and to allow higher data rates, a balanced and differential interface is preferably used, as described above regarding using RS-422 in module 10 shown in FIG. 1. For simplicity sake, the specification describes only a balanced interface (with the exception of module 40 shown in FIG. 4). However, unbalanced interface may be equally used.

The line receiver 12 outputs a digital signal 'IN' to TIMER1 14 over connection 13. TIMER1 14 delays the incoming signal 'IN' for a pre-determined period 't1', and produces a delayed signal 'TRIG' over connection 15. This delay allows for internal activities within the slave module 10 and the activation of payload 25 to start only after a pre-determined interval of time 't1' has lapsed from the activity related to the former module. In an embodiment where such delay may not be required, the TIMER1 14 may be omitted and the line receiver 12 may be connected directly to TIMER2 16, or alternately the TIMER1 is set to minimum or zero time delay ($t1=0$). The signal 'TRIG' is received by TIMER2 16, which in turn produces a signal 'GATE' over connection 22 for a pre-determined period 't2'. The signal 'GATE' is connected as a control to activate payload 25. The signal 'GATE' is also connected to a line driver 18, which is preferably a mating driver to the line receiver 12. For example, the balanced interface line driver 18 may be an RS-422 driver such as RS-422 transmitter MAX3030E, available from Maxim Integrated Products, Inc. of Sunnyvale, California, U.S.A., described in the data sheet "±15kV ESD-Protected, 3.3V Quad RS-422 Transmitters" publication number 19-2671 Rev.0 10/02, which is incorporated in its entirety for all purposes as if fully set forth herein. The line driver 18 is feeding conductors 11c and 11d via connector 21, connecting the slave module 10 to the next module. The line driver 18 typically converts the logic levels used by the module internal digital logic circuits (e.g., CMOS, TTL, LSTTL and HCMOS) to a signal to be transmitted. The next module can start its operation upon activation of the 'GATE' signal (hence immediately after the delay period of 't1'), or alternately after the 'GATE' signal is de-activated (hence after a period of $t1+t2$).

The slave module 10 operation thus involves activating the payload 25 (via signal 'GATE') for a period of $t2$, after a delay of a period of $t1$ starting at reception of a signal from the former module, and signaling the next module concurrently with or after the end of the activation of the payload 25.

The transfer of information such as the activation signal between two modules commonly makes use of a line driver for transmitting the signal to the conductors serving as the transmission medium connecting the two modules, and a line receiver for receiving the transmitted signal from the transmission medium. The communication may use a proprietary interface or preferably an industry standard, which typically defines the electrical signal characteristics such as voltage level, signaling rate, timing and slew rate of signals, voltage withstanding levels, short-circuit behavior, and maximum load capacitance. Further, the industry

standard may define the interface mechanical characteristics such as the pluggable connectors and pin identification and pin-out. In one example, the module circuit can use an industry or other standard used for interfacing serial binary data signals. Preferably the line drivers and line receivers and their associated circuitry will be protected against electrostatic discharge (ESD),
5 electromagnetic interference (EMI / EMC) and against faults (fault-protected), and employs proper termination, failsafe scheme and supports live insertion. Preferably, a point-to-point connection scheme is used, wherein a single line driver is communicating with a single line receiver. However, multi-drop or multi-point configurations may as well be used. Further, the line driver and the line receiver may be integrated into a single IC (Integrated Circuit),
10 commonly known as transceiver IC.

In one example, the transmission is unbalanced (single-sided), as shown for slave module 40 shown in FIG. 4, and employing a single-sided line receiver 43 receiving the activation signal carried over wire 11a with respect to ground 11b via connector 41, as well as a single-sided line driver 44 transmitting the activation signal to wire 11c with respect to ground
15 wire 11d via connector 42. Such transmission scheme may be based on the serial binary digital data standard Electronic Industries Association (EIA) and Telecommunications Industry Association (TIA) EIA / TIA-232, also known as Recommended Standard RS-232 and ITU-T (The Telecommunication Standardization Sector (ITU-T) of the International Telecommunication Union (ITU)) V.24 (formerly known as CCITT Standard V.24). Similarly,
20 RS-423 based serial signaling standard may be used. For example, RS-232 transceiver MAX202E may be used, available from Maxim Integrated Products, Inc. of Sunnyvale, California, U.S.A., described in the data sheet "±12kV ESD-Protected, +5V RS-232 Transceivers" publication number 19-0175 Rev.6 3/05, which is incorporated in its entirety for all purposes as if fully set forth herein.

25 Each of the timers may be implemented as a monostable circuit, producing a pulse of set length when triggered. In one example, the timers are based on RC based popular timers such as 555 and 556, such as ICM7555 available from Maxim Integrated Products, Inc. of Sunnyvale, California, U.S.A., described in the data sheet "General Purpose Timers" publication number 19-0481 Rev.2 11/92, which is incorporated in its entirety for all purposes as if fully set forth
30 herein. Examples of general timing diagrams as well as monostable circuits are described in Application Note AN170 "NE555 and NE556 Applications" from Philips semiconductors dated

12/1988. Alternatively, a passive or active delay line may be used. Further, a processor based delay line can be used, wherein the delay is set by its firmware.

A schematic timing diagram 20 of the slave module 10 is shown in FIG. 2. Referring to FIG.1 and FIG. 2, chart 'IN' 26 shows the signal 'IN' 13, chart 'TRIG' 27 shows the signal 'TRIG' 15, and chart 'GATE' 28 shows the signal 'GATE' 22. The trailing edge of the signal 'IN' 13 (active-low) triggers TIMER1 14 (active-high) to produce the signal 'TRIG' 15 for a period of t1. After the lapsing of the t1 period, the trailing edge of the signal 'TRIG' 15 triggers TIMER 2 16 to produce the signal 'GATE' 22 (active-high) for a period of t2. It is apparent to anyone skilled in the art that all signals described herein may be either 'active low' (wherein activation or logical-true is represented by a low electrical signal) or 'active high'(wherein activation or logical-true is represented by an high electrical signal), and that signaling can be based on trailing or rising transitions of signals.

The slave module 10 has been exemplified in FIG. 1 to include the payload 25 as an integral part of the slave module 10. In one embodiment, the payload 25 can be external to the housing of a module. FIG. 3 shows a slave module 30 wherein the payload 25 is external to the slave module 30, and connected thereto via connector 31 connecting the signal 'GATE' 22 to the payload 25. In such configuration, the flexibility of connecting various types of payload 25 is provided.

In one embodiment, the pre-set time periods t1 and t2 are identical to all modules in the systems, allowing for similar (or identical) timing schemes uniformly executed in the system, and for a system built from identical or interchangeable modules. In an alternative embodiment, one, few or all of the modules in the system have individually set time periods, allowing the flexibility of different settling time periods effecting the operation of modules or adapting the periods for activating individual payloads. Further, each timer with a module may be individually set. In the latter case, the time period produced by an individual timer in an individual module can be continuously adjusted, for example to obtain any time period selected within the 0 to 20 seconds range. In one example, the adjusting mechanism is based on a potentiometer, which resistance value impacts the set time period, as shown for slave module 30 shown in FIG. 3, illustrating potentiometer 32 connected to control the time period t1 associated with TIMER1 14. The potentiometer 32 may be a linear potentiometer or a logarithmic potentiometer. In an alternative embodiment, the time period of a timer is selected from few discrete values. For example, the time period may be selected from 0, 5, 10, 15 and 20 seconds.

Such configuration is exemplified relating to **TIMER2 16** in slave module **30** shown in **FIG. 3**. Two resistors **R1 34a** and **R2 34b** are shown, connected via switch **33**, which selects only one of the resistors, to affect the time period **t2** produced by **TIMER2 16**. The different resistance value of each of the resistors that is selected by the switch **33** results in a different time period set. It is
5 apparent that any timer in any module may use either continuous or discretely selected time periods.

The slave module **30** shown in **FIG. 3** is shown to have an integrated potentiometer **32** and an integrated switch **33** for locally setting the time period of the timers **13** and **16**. Alternatively, the time setting may be remotely controlled, by a device external to the module
10 being set. In one alternative embodiment, the slave module **30** is set via a device connected thereto. In one example, a module may be controlled by another module connected to it directly or via the system, such as setting from a central module (e.g., a master module). Further, one timer in a slave module may be locally set while the other timer is remotely set.

In the example of slave module **40** shown in **FIG. 4**, two control signals 't1 Control' and
15 't2 Control' are used for remotely setting the time period of the timers. The slave module **40** connects via connector **41** to the former module to receive the 't1 Control' control signal over wire **11e**, which is connected to **TIMER1 14** for setting its time period. Similarly, the slave module **40** connects via connector **41** to the former module to receive the 't2 Control' control signal over wire **11f**, which is connected to **TIMER2 16** for setting its time period. The two
20 signals 't1 Control' and 't2 Control' are further being passed to the respective wires **11g** and **11h** via connector **42** for passing these control signal to the next module. This mechanism allows setting and changing the time periods of few or all modules from a central module (e.g., a master module) by propagating the control signals from module to module over the system. The time period setting information carried over the control signals may use analog amplitude (e.g.,
25 proportional or logarithmic voltage / current representing the desired value), Pulse Wide Modulation (PWM), digital data representing the value or any other encoding or modulation scheme. Further, each signal line may use a distinct representation scheme.

A system (or a sub-system) **50** is shown in **FIG. 5**, including four connected slave modules **10a**, **10b**, **10c** and **10d**. Each slave module is based on slave module **10** shown in **FIG. 1**, or based on slave module **30** shown in **FIG. 3**, or alternatively based on slave module **40** shown in **FIG. 4**. The slave modules are connected using point-to-point topology, wherein each connection connects two, and only two slave modules. Slave module **10a** contains connector
30

19a for connecting to a former module via wires 11a and 11b, and connects to the next slave module 10b via wires 11c and 11d connected to the connector 21a. Slave module 10b contains connector 19b for connecting to the former slave module 10a via wires 11c and 11d, and connects to the next slave module 10c via wires 11e and 11f connected to connector 21b. Slave module 10c contains connector 19c for connecting to the former slave module 10b via wires 11e and 11f, and connects to the next slave module 10d via wires 11g and 11h connected to connector 21c. Slave module 10d contains connector 19d for connecting to the former slave module 10c via wires 11g and 11h, and can connect to the next slave module via connector 21d. During operation, activation signals received by slave module 10a over wires 11a and 11b activate the payload (after a delay, if implemented) in the slave module 10a (or connected to slave module 10a). At later stage, the activation signal is propagated to activate the payload associated with slave module 10b, and sequentially to slave modules 10c and 10d.

A timing diagram 55 of the system 50 of FIG. 5 is shown in FIG. 5a. The signal IN_a 51 is received by slave module 10a via wires 11a and 11b, and its trailing edge triggers a timer for producing signal TRIG_a 52 in slave module 10a, resulting in a signal for a period of t1. The trailing edge of the signal TRIG_a 52 triggers the signal GATE_a 53 in slave module 10a, which is used to activate the payload associated with slave module 10a for a period t2. The signal GATE_a 53 is transmitted to the next slave module 10b over wires 11c and 11d, and the trailing edge of signal GATE_a 53 triggers a timer in slave module 10b to produce signal TRIG_b 56 for a period of t1. The trailing edge of the signal TRIG_b 56 triggers the signal GATE_b 57 in slave module 10b, which is used to activate the payload associated with slave module 10b for a period t2. The signal GATE_b 57 is transmitted to the next slave module 10c over wires 11e and 11f, and the trailing edge of signal GATE_b 57 triggers a timer in slave module 10c to produce signal TRIG_c 58 for a period of t1. The trailing edge of the signal TRIG_c 58 triggers the signal GATE_c 59 in slave module 10c, which is used to activate the payload associated with slave module 10c for a period t2. Similarly, the activation signals propagate via the system sequentially activating the payloads in the slave modules according to the connection scheme, wherein each slave module activates its own payload and send the relevant activation information to the next connected slave module.

The sequential operation of the payloads associated with the connected slave modules is schematically shown as table 65 in FIG. 5b. Column 62a relates to the time lapsed in the system, wherein each row 61a-g is associated with a time period of operation of a specific one of the

slave modules, starting with receiving an activation signal (e.g., triggering timer1, such as TRIG signal rising in FIG. 5a) until signaling the next module to be activated (e.g., end of timer2 period, such as trailing edge of the GATE signal in FIG. 5a). In the example of system 50, four slave modules are connected, wherein column #1 62b is associated with the payload of slave module 10a, column #2 62c is associated with the payload of slave module 10b, column #3 62d is associated with the payload of slave module 10c, and column #4 62e is associated with the payload of slave module 10d. TIME=0 row 61a relates to the time before receiving any activation signal in the slave modules, and thus all payloads are in an 'OFF' state. As a result of receiving an activation signal by slave module 10a, the associated payload is activated, represented as 'ON' in TIME=1 row 61b. Upon timer2 16 expiration in the slave module 10a, the payload is deactivated and reverts to 'OFF' state. Similarly, as a result of receiving an activation signal by slave module 10b, the payload is activated, represented as 'ON' in TIME=2 row 61c. Next, the payload of slave module 10b is deactivated and reverts to 'OFF' state. Next, as a result of receiving an activation signal by slave module 10c, the module payload is activated, represented as 'ON' in TIME=3 row 61d, followed by deactivation of the payload of slave module 10c (reverts to 'OFF' state). Next, as a result of receiving activation signal by slave module 10d, the payload is activated, represented as 'ON' in TIME=4 row 61e, followed by deactivation of the payload of slave module 10d (reverts to 'OFF' state). At stages TIME=5 61f and TIME=6 61g, no payload is activated (all in 'OFF' state), reverting to the original TIME=0 61a idle status.

The system 50 operation was exemplified in FIGS. 5a and 5b regarding a single activation signal propagating sequentially in the system from slave module 10a, to slave modules 10b, 10c and ending in 10d. In another example shown in table 66 in FIG. 5c, two activation signals are concurrently distributed over the system. Until the state in TIME=2 in row 61c, the table is the same as table 65. In TIME=3, an additional activation signal is received by slave module 10a, hence the payload associated with slave module 10a is re-activated, as shown in 'ON' state relating to module #1 column 62b in TIME=3 in row 61d. Next, the activation signal is propagating to the next slave module 10b, turning its payload again to 'ON' state shown in TIME=4 row 61e relating to column #2 62c in the table 66. Next, the activation signal is propagating to the next slave module 10c, turning its payload to 'ON' state shown in TIME=5 row 61f relating to column #3 62d in the table 66. The sequence stops after re-activating the next

slave module **10d**, turning its payload to 'ON' state shown in TIME=6 row **61g** relating to column #4 **62e** in the table **66**.

In the examples above, the payload **25** associated with a slave module **10** was described as being activated as long as the GATE signal **22** produced by timer2 **16** is active. In an alternative embodiment of a module or of a payload, the payload **25** is triggered to start its action by the GATE **22** signal produced by the timer2 **16**, but then stays activated. The payload **25** may stay activated indefinitely, or as long as power is supplied thereto. Alternatively, the payload **25** activation may be terminated after a pre-set time period, either by using another timer in the module or as part of the payload. In yet another alternative, the payload **25** may be deactivated by another control, internal or external to the payload **25**.

Table **67** in FIG. 5d is based on table **65** shown in FIG. 5b, however table **67** shows the payload **25** status in the case wherein the payload stays activated after being triggered by the GATE **22** signal. The table **67** shows that the payloads associated with the slave modules stays activated ('ON' state) once they have been triggered.

In one embodiment, the payload is toggle controlled, wherein each triggering event causes the payload to switch to an alternate state, for example by using a toggle switch. Table **68** in FIG. 5e is based on table **66** shown in FIG. 5c, however shows the toggle-controlled payload **25** status. For example, the status of the payload associated with slave module #3 is shown in column **62d**. The first activation in TIME=3 in row **61d** activates the payload into 'ON' state, and the payload stays in this state through TIME=4 in row **61e**. In TIME=5 shown in row **61f** another activation signal is produced as a result of a second activation signal propagated via the system, and the second activation signal shifts the payload back to the 'OFF' state. In this mechanism, the next activation signal will re-activate the payload.

The system **50** shown in FIG. 5 provides the example of slave modules connected in cascade, wherein each slave module is connected to activate a single next slave module. Alternatively, a system can be formed such that a module (such as a slave module) is connected to simultaneously activate multiple slave modules. A splitting functionality may be used in order to propagate the activation from a single module to a plurality of modules. An exemplary splitter module **60** is shown in FIG. 6. Splitter module **60** is connected to a former module (which may be any module, such as a slave module) using wires **11a** and **11b** via connector **19**. The splitter module **60** can be connected to three next modules via three connections. The first connection to a next module uses wires **11c** and **11d** via connector **21a**, the second connection to a second next

module uses wires **11e** and **11f** via connector **21b**, and the third connection to a third next module uses wires **11g** and **11h** via connector **21c**. While the examples herein refer splitting to three next modules, it is apparent that splitter modules (such as module **60**) may equally support two, four or any other number of connections, by having the appropriate number of downstream connectors and associated circuitry.

In the example of splitter module **60** shown in FIG. 6, the three outgoing connections (via connectors **21a**, **21b** and **21c**) are connected directly to the incoming connector **19**, so that the received signal is just split and fed unchanged simultaneously to the outgoing connections. Such configuration may be used in the case of a driver (such as the balanced line driver **18** or the unbalanced line driver **44**) capable of driving multiple receivers (such as balanced line receiver **12** or unbalanced line receiver **43** respectively). For example, RS-422 standard supports such a point-to-multipoint scheme. An alternative splitter module **70** is shown in FIG. 7, containing a receiver **12** for receiving and constructing the 'IN' signal **13**, and feeding the 'IN' signal **13** to three line drivers **18a**, **18b** and **18c**, connected respectively to the three connectors **21a**, **21b** and **21c**. In this configuration, the activation signal is received, and repeated by being re-transmitted without any signal splitting. An alternative splitter module **80** is shown in FIG. 8, containing a receiver **12** for receiving and constructing the 'IN' signal **13**, and feeding the 'IN' signal **13** to a single line driver **18**, connected in parallel to the three outgoing connectors **21a**, **21b** and **21c**. In this configuration, the activation signal is reconstructed and repeated to all the connections.

In another example, the splitter module contains the timing functionalities of a slave module. Such a splitter module **90** is shown in FIG. 9. Splitter module **90** is based on splitter module **70** shown in FIG. 7, added to the timers used in slave module **10**. The signal 'IN' **13** is delayed first by **TIMER1 14** producing the signal 'TRIG' **15**, which in turn feeds **TIMER2 16**. The delayed signal is simultaneously transmitted to the three next modules via connectors **21a**, **21b** and **21c**. The activation signal is thus delayed similar to the delay introduced by a slave module, before being propagated simultaneously to the next modules. While two timers **TIMER1 14** and **TIMER2 16** are disclosed, a single timer may also be used to introduce a delay in the activation signal propagation. In yet another example, a different delay may be introduced to each of the next connected modules. Such a splitter module **100** is shown in FIG. 10. Splitter module **100** is based on splitter module **90** shown in FIG. 9, where a set of timers is connected in the path connecting to each of the outgoing connections. **TIMER1 14a** produces a delayed activation signal 'TRIG' **15a**, fed to **TIMER2 16a** for creating additional delay, and the delayed

signal is transmitted to wires **11c** and **11d** via line driver **18a**. Hence, the delay introduced from the input to the module connected to wires **11c** and **11d** is dependent upon the settings of timers **TIMER1 14a** and **TIMER2 16a** only. Similarly, **TIMER1 14b** produces a delayed activation signal 'TRIG' **15b**, fed to **TIMER2 16b** for creating additional delay, and the delayed signal is transmitted to wires **11e** and **11f** via line driver **18b**. Hence, the delay introduced from the input to the module connected to wires **11e** and **11f** is dependent upon the settings of timers **TIMER1 14b** and **TIMER2 16b** only. Further, **TIMER1 14c** produces a delayed activation signal 'TRIG' **15c**, fed to **TIMER2 16c** for creating additional delay, and the delayed signal is transmitted to wires **11g** and **11h** via line driver **18c**. Hence, the delay introduced from the input to the module connected to wires **11g** and **11h** is dependent upon the settings of timers **TIMER1 14c** and **TIMER2 16c** only. The time delays in each of the three paths may be identical, similar or substantially distinct from the other paths.

In one example, the slave module and the splitter functionalities are combined into a single slave / splitter module. Such a slave / splitter module **110** is shown in FIG. 11. Slave / splitter module **110** includes all the slave module **10** functionalities. Added to the line driver **18a** (representing driver **18** shown in FIG. 1) connected to wires **11c** and **11d** via connector **21a** (representing connector **21** shown in FIG. 1), two additional drivers **18b** and **18c** are connected to the 'GATE' signal **22**, respectively connected to connectors **21b** and **21c** for connecting to the next modules via wire set **11e, 11f** and set **11g, 11h**.

An example of a system **120** including a splitter module **60** is shown in FIG. 12. An activation signal is carried over wires **11a** and **11b** and received by slave module **10a** via connector **19a**. The activation signal propagates from slave module **10a** via connector **21a** over wires **11c** and **11d** to splitter module **60** incoming connector **19e**. The activation signal then propagates into three distinct paths. The first path includes connection from splitter module **60** connector **21e** to slave module **10b** connector **19b** over wires **11c** and **11d**. The second path includes connection from splitter module **60** connector **21f** to slave module **10c** connector **19c** over wires **11g** and **11h**. The third path includes connection from splitter module **60** connector **21g** to slave module **10d** connector **19d** over wires **11i** and **11j**. Since splitter module **60** shown in FIG. 6 does not introduce any delay, the activation signal is simultaneously and without delay transmitted to the three slave modules **10b, 10c** and **10d**. Splitter module **60** in FIG. 12 may be substituted with splitter module **70** shown in FIG. 7 or with splitter module **80** shown in FIG. 8. In another example, splitter module **60** in FIG. 12 may be substituted with splitter module **90**

shown in FIG. 9, thus introducing a delay in the activation signal propagation via the splitter module 90. Similarly, splitter module 60 in FIG. 12 may be substituted with splitter module 100 shown in FIG. 10, thus introducing an individual delay in each of the distribution paths. Further, splitter module 60 in FIG. 12 may be substituted with slave / splitter module 110 shown in FIG. 11, thus both introducing a delay and further activating a payload 25 associated with the slave / splitter 110. The slave modules 10b, 10c and 10d may be further connected downstream to additional slave or splitter modules. The modules connected in system 120 are connected in point-to-point topology, wherein each wiring connects two and only two modules, each connected to one end of the wiring, allowing easy installation and superior communication performance.

An example of a system 130 including two splitter modules 60a and 60b is shown in FIG. 13, wherein splitter module 60b is replacing slave module 10d of system 120. An activation signal is carried over wires 11a and 11b and received by slave module 10a via connector 19a. The activation signal propagates from slave module 10a via connector 21a over wires 11c and 11d to splitter module 60a incoming connector 19e. The activation signal then propagates into three distinct paths. The first path includes the connection from splitter module 60a connector 21e to slave module 10b connector 19b over wires 11c and 11d. The second path includes the connection from the splitter module 60a connector 21f to slave module 10c connector 19c over wires 11g and 11h. The third path includes connection from splitter module 60a connector 21g to splitter module 60b connector 19f over wires 11i and 11j. The splitter module 60b may be further connected downstream via each of its connectors 21h, 21i and 21j. In one example, both splitter modules 60a and 60b are identical, for example based on splitter module 60 shown in FIG. 6. Alternatively, each of the splitter modules 60a and 60b may be independently substituted with any of the described splitter modules or slave / splitter module. While the system 130 was shown in FIG. 13 to include two splitter (or slave / splitter) modules, any number of splitter modules may be used. Further, a system may be formed using only splitter modules, and any combination of slave, splitter, and slave / splitter modules may be formed.

Slave and splitter modules acts as repeaters that repeat activation signals received from former modules to next modules. The activation signal in the system is generated in a master module. The core function of a master module is to transmit a trailing edge signal serving as an activation signal (such as the 'IN' signal 51 shown in FIG. 5a) to the connected module or

modules (being slave or splitter modules). A basic master module 140 is shown in FIG. 14a, containing a line driver 18 transmitting to wires 11c and 11d via connector 21. A switch 141 is connected to the line driver 18 input, so that upon activation of the switch 141 (for example, by pressing a push button switch) an activation signal is transmitted over wires 11c and 11d to a module connected thereto. FIG. 14b shows a master module 145 including timing and payload functionalities similar to a slave module. The structure of the master module 145 is based on the structure of the slave module 10 shown in FIG. 1, wherein the activation is not triggered by a former module but rather by the switch 141 connected for triggering TIMER1 14 instead of the 'IN' signal 13. Such a master module 145 allows for payload 25 activation in the same scheme as in a slave module.

Master module 145 shown in FIG. 14b above provides the example of a single downstream connection connected to activate a single next slave (or splitter) module. Alternatively, a master module may include a splitting functionality so that it can be connected to simultaneously activate multiple slave (or splitter or any combination thereof) modules. An exemplary master module 150 is shown in FIG. 15 which is capable of activating three downstream connected modules. While the examples herein refer to activating three next modules, it is apparent that master modules may equally activate two, four or any other number of connections, by having the appropriate number of downstream connectors and associated circuitry. The master module 150 is based on the master module 145 structure shown in FIG. 14b. Added to the driver 18a (representing line driver 18 of master module 145 shown in FIG. 14b), the 'GATE' signal 22 is fed in parallel to line driver 18b, which is in turn connected to connector 21b for transmitting to the next module via wires 11e and 11f, and to line driver 18c, which is in turn connected to connector 21c for transmitting to the next module via wires 11g and 11h. Such construction allows for simultaneous transmission of the activation signal to the three modules (such as slave or splitter modules) via connectors 21a, 21b and 21c.

Another example of a master module 160 is shown in FIG. 16, wherein delayed timers TIMER1 14 and TIMER2 16 are connected between the 'GATE' signal 22 (which also serves as the 'IN' signal 13) and the line drivers 18, enabling different delays in each of the three downstream paths. TIMER1 14a is fed from the 'GATE' signal 22 produced by the TIMER2 16, and produces the delayed signal 'TRIG' 15a, which in turn triggers TIMER2 16a connected to line driver 18a for transmitting to wires 11c and 11d via connector 21a. TIMER1 14b is fed from the 'GATE' signal 22 produced by the TIMER2 16, and produces the delayed signal

'TRIG' 15b, which in turn triggers TIMER2 16b connected to line driver 18b for transmitting to wires 11e and 11f via connector 21b. Similarly, TIMER1 14c is fed from the 'GATE' signal 22 produced by the TIMER2 16, and produces the delayed signal 'TRIG' 15c, which in turn triggers TIMER2 16c connected to line driver 18c for transmitting to wires 11g and 11h via connector 21c. Three distinct paths are thus formed, each via different set of timers, and thus can be individually set for a different delay.

A system 170 employing a master module 140 is shown in FIG. 17. System 170 is based on system 50 shown in FIG. 5, wherein slave module 10a is substituted with master module 140 shown in FIG. 14a. System 170 is a self-contained system, wherein upon activation of the switch 141 in the master module 140, the activation signal is propagating sequentially to slave module 10b, then to slave module 10c, and ending with slave module 10d. The payloads 25 in the slave module in the system 170 are thus activated one after the other, according to connection order of the slave modules. Similarly, a system 180 employing a master module 140 is shown in FIG. 18. System 180 is based on system 130 shown in FIG. 13, wherein slave module 10a is substituted with master module 140 shown in FIG. 14a. System 180 is a completed system wherein upon activation of the switch 141 in the master module 140, the activation signal is propagating to splitter module 60a, and sequentially in parallel to slave module 10b, slave module 10c, and splitter module 60b. The master module 145 shown in FIG. 14b may be equally employed in systems 170 and 180 instead of the illustrated master module 140. In this case, a delay is introduced by the timers between activating switch 141 in master module 145 and the activation signal transmission over the master module 145 outgoing connection. Further, the payload 25 in master module 145 will be the first payload to be activated in the system. In both systems, a repeated activation of the switch 141 in the master module will initiate another activation signal to be propagated through the system.

An exemplary system 185 employing a master module 160 is shown in FIG. 18a. When pressing the switch 141 in master module 160, the payload 25 in master module 160 is first activated (after the time delay determined by timers 14 and 16 in the master module 160). The activation signal is then split into three paths. The first path involves propagation of the activation signal to slave module 10b via connector 21e and wires 11c and 11d. The signal is received by slave module 10b via its incoming connector 19b, and consequentially transmitted to the splitter module 60b via connector 21b and wires 11i and 11j. The activation signal is received by splitter module 60b via its connector 19f, and consequentially split into three paths

via connectors **21h**, **21i** and **21j**. The second path involves propagation of the activation signal to slave module **10c** via connector **21f** and wires **11g** and **11h**. The third path involves propagation of the activation signal to slave module **10d** via connector **21g** and wires **11e** and **11f**. The activation signal is received by slave module **10d** via its connector **19d**, and consequentially transmitted from connector **21d** of slave module **10d** to slave module **10a** via its connector **19a** and wires **11a** and **11b**.

In one aspect of the invention, the master module is autonomous and free-running and is not dependent upon manual activation of a human user. In one example, the **TIMER1 14** is an astable multi-vibrator that repetitively periodically generates activation pulses (as if the switch **141** is repetitively activated). The activation pulses can be provided immediately after the master module is powered on or may be dependent to start upon user activation (e.g., by the switch **141**, serving as enabling switch to start the activation signals train). Further, the activation signal may be generated based on Time-Of-Day (TOD). In this configuration, a master module is set to generate an activation signal at a specific time of the day. For example, a master module can be set to communicate on a daily basis at 2:00 AM. In such a case, every day at 2:00 AM the master module will commence activation by generating an activation signal. Further, the master module can be set to activate a plurality of times during a 24-hour day, or alternatively, to commence activation less frequently than daily, such as once a week, once a month and so forth. In one example, the master module contains a real-time clock that keeps a track of the time, and stores (preferably in non-volatile memory) the parameter of the time of day wherein the activation signal should be initiated.

In one example, the activation is initiated external to the master module, rather than by a switch **141** as shown in FIGS. 14–16. Such a master module **190** is shown in FIG. 19, which is exemplified based on the master module **150** shown in FIG. 15. The switch **141** is external to the master module **190** enclosure, and connected to activate the **TIMER1 14** via connector **191**. Such configuration allows for remote initiation of the master module **190**, and thus activation of the related system.

In one example, the system is triggered in response to a physical phenomenon, as a substitute or in addition to any manual or automatic activation. Such a master module **195** is shown in FIG. 19a. The timer **14** is initiated (or enabled) by an electrically controlled switch **193**, replacing or supplementing the manual switch **141**. The sensor **194** provides an output in response to a physical, chemical, or biological phenomenon. For example, the sensor **194** may

be a thermistor or a platinum resistance temperature detector, a light sensor, a pH probe, a microphone for audio receiving, or a piezoelectric bridge. The sensor output is amplified by amplifier 192. Other signal conditioning may also be applied in order to improve the handling of the sensor output, such as attenuation, delay, filtering, amplifying, digitizing and any other signal manipulation. The comparator 593 activates the switch 193 (and thus initiates an activation signal) based on comparing between the sensor output (amplified and / or conditioned) and a reference voltage 592, providing a set reference voltage signal. For example, the sensor can be a temperature sensor, and the reference voltage 592 is set to 30°C. As such, a single activation signal (or starting or a train of activation pulses) will be triggered upon sensing of a temperature above 30°C. Similarly, digital equivalent circuitry may be used, wherein the sensor provides digital value, the comparator 593 is replaced with a digital comparator, and the reference voltage 592 is replaced with a register or another memory storing a digital value.

In an alternative embodiment, the sensor 194 is external to the master module enclosure, as shown in FIG. 19b, wherein the sensor 194 is connected to the master module 199 via connector 196. In such scenario, the master module 199 is initiated based on a value measured at a remote location. Similarly, the amplifier 192, the comparator 593 and the voltage reference 592 can be, each or all, external to the master module casing.

The modules and systems above exemplified a unidirectional propagation of the activation signal, typically starting at the master module and distributed only downstream away from the master module. In another example, the propagation of the activation signal may be bi-directional. An example of a slave module 200 supporting two-way routing is shown in FIGS. 20, 20a and 20b. The slave module 200 basically contains two unidirectional slave modules, each connected to propagate the activation signal opposite to the other. The slave module 200 is shown to contain two functionalities of the slave module 10 shown in FIG. 1. An activation signal received in connector 19 from wires 11a and 11b is routed via a line receiver 12a producing 'IN' signal 13a, connected to TIMER1 14a, which produces a delayed signal 'TRIG' 15a fed to TIMER2 16a, which in turn activates payload 25a via 'GATE1' signal 22a, also connected to line driver 18a connected to connector 21 for supplying the activation signal over wires 11c and 11d. The line receiver 12a, 'IN' signal 13a, TIMER1 14a, signal 'TRIG' 15a, TIMER2 16a, PAYLOAD1 25a, 'GATE1' signal 22a, and line driver 18a respectively correspond to slave module 10 line receiver 12, 'IN' signal 13, TIMER1 14, signal 'TRIG' 15, TIMER2 16, payload 25, 'GATE' signal 22, and line driver 18. As such, any activation signal

received from a former module will in time activate PAYLOAD1 25a, and will be output after a set delay to the next module. The slave module 200 further contains the line receiver 12b, 'IN' signal 13b, TIMER3 14b, signal 'TRIG' 15b, TIMER4 16b, PAYLOAD2 25b, 'GATE2' signal 22b, and line driver 18b, which respectively correspond to slave module 10 line receiver 12, 'IN' signal 13, TIMER1 14, signal 'TRIG' 15, TIMER2 16, payload 25, 'GATE' signal 22, and line driver 18. The latter set is connected to carry signals from the next module over the wires 11c and 11d via connector 21 to the former module over wires 11a and 11b via connector 19.

The slave module 200 acts as a two-way repeater, wherein an activation signal received from upstream activates PAYLOAD1 25a and is repeated downstream, while an activation signal received from downstream activates PAYLOAD2 25b and is repeated upwards. In order to avoid an outgoing activation signal to be received as false input, TIMER2 16a provides 'INHIBIT 23' signal to TIMER3 14b over connection 201 for inhibiting the activation as a result of the receipt of an input when GATE1 22a signal is transmitted to the next module. Similarly, TIMER4 16b provides 'INHIBIT41' signal to TIMER1 14a over connection 202 for inhibiting the timer operation upon receipt of an input when GATE2 22b signal is transmitted to the former module. Alternatively, the outgoing signal may be connected to the line receiver to inhibit its operation upon transmitting to the corresponding connection. Such a 2-way slave module 209 is shown in FIG. 20c. The outgoing 'GATE1' signal 22a serves also as 'INHIBIT 212' signal connected over connection 207 to line receiver 12b, for inhibiting any output by the receiver 12b when line driver 18a is transmitting. Similarly, the outgoing 'GATE2' signal 22b serves also as 'INHIBIT 412' signal connected over connection 208 to line receiver 12a, for inhibiting any output by the receiver 12a when line driver 18b is transmitting.

The timing and payload functionalities of the 2-way slave module 200 can be arranged into a sub-module 205 designated as 'payload & Timing Block' shown in FIG. 20a. The downstream path from port A 206a includes receiving the 'IN' signal 13a, which is transmitted as delayed signal 'GATE1' 22a to port B 206b. The downstream path includes TIMER1 14a, TIMER2 16a, PAYLOAD 25a and the connections therebetween. Similarly, the upstream path from port D 206d includes receiving the 'IN' signal 13b, which is transmitted as delayed signal 'GATE2' 22b to port C 206c. The upstream path includes TIMER3 14b, TIMER4 16b, PAYLOAD 25b and the connections therebetween. The 2-way slave module 200 is shown in FIG. 20b to be formed from the sub-module 205, which connected via the respective

transmitters and receivers to the corresponding connectors, thus forming the functionalities of the slave module **200** shown in FIG. 20.

The 2-Way slave module **200** shown in FIG. 20 showed an example of having two payloads designated as PAYLOAD1 **25a** and PAYLOAD2 **25b**. The first payload is activated upon receiving a downstream propagated activation signal and the latter payload being activated by the upstream propagated activation signal. Alternatively, a single payload can be used, activated by either the upstream or the downstream activation signal propagated via the 2-way slave module. Such a 2-way slave module **210** is shown in FIG. 21, including a payload **25** being operated by an activation signal received in either direction. The two payload **25** activation signals 'GATE1' **22a** and 'GATE2' **22b** signals are being or-ed by the 'OR' gate **211**, to produce a 'GATE12' signal **22c** connected for activation of the payload **25**. In this scheme the existence of either 'GATE1' **22a** or 'GATE2' **22b** activation signal will cause activation of the payload **25** via 'GATE12' **22c** activation signal. Similarly, other logical functions such as 'AND', 'NOR', 'EXCLUSIVE-OR' may be implemented by using other gates as a substitute or as addition to the 'OR' gate **211**.

The timing and payload functionalities of the 2-way slave module **210** can be arranged into a sub-module **215** designated as 'payload & Timing Block' shown in FIG. 21a. The downstream path from port A **206a** includes receiving the 'IN' signal **13a**, which is transmitted as delayed signal 'GATE1' **22a** to port B **206b**. The downstream path includes TIMER1 **14a**, TIMER2 **16a**, and the connections therebetween. Similarly, The upstream path from port D **206d** includes receiving the 'IN' signal **13b**, which is transmitted as delayed signal 'GATE2' **22b** to port C **206c**. The upstream path includes TIMER3 **14b**, TIMER4 **16b** and the connections therebetween. The two 'GATE' signals are or-ed by the 'OR' gate **211** to activate the payload **25**. The 2-way slave module **210** is shown in FIG. 21b to be formed from the sub-module **215**, which connected via the respective transmitters and receivers to the corresponding connectors, thus forming the functionalities of the 2-way slave module **210** shown in FIG. 20.

The 2-way communication interface may use the EIA/TIA-485 (formerly R S-485), which supports balanced signaling and multipoint / multi-drop wiring configurations. Overview of the RS-422 standard can be found in National Semiconductor Application Note 1057 publication AN012882 dated October 1996 and titled: "Ten ways to Bulletproof RS-485 Interfaces", which is incorporated in their entirety for all purposes as if fully set forth herein. In this case, RS-485 supporting line receivers and line driver are used, such as for example, RS-485

transceiver MAX3080 may be used, available from Maxim Integrated Products, Inc. of Sunnyvale, California, U.S.A., described in the data sheet "Fail-Safe, High-Speed (10Mbps), Slew-Rate-Limited RS-485/RS-422 Transceivers" publication number 19-1138 Rev.3 12/05, which is incorporated in its entirety for all purposes as if fully set forth herein.

5 The activation signal or any other communication between two connected modules may use half-duplex, wherein the transmission is in both directions, but only in one direction at a time or full-duplex. Alternatively, the transmission may be full duplex, allowing simultaneous data or activation signal transmission in both directions. An example of a 2-way slave module 216 supporting full-duplex is shown in FIG. 21c. The connection between the modules involves
10 four conductors grouped into two conductor pairs, wherein each pair is carrying a signal only in one direction. Line receiver 12a is connected to receive activation signal from an upstream module via connector 19 over wires 11a and 11b. Line driver 18b is connected to transmit activation signal to an upstream module via connector 19 over wires 11a1 and 11b1. Since different transmission paths are used, the independent signals may be carried in either direction.
15 Similarly, line receiver 12b is connected to receive activation signal from a downstream module via connector 21 over wires 11c1 and 11d1, and line driver 18a is connected to transmit activation signal to a downstream module via connector 21 over wires 11c and 11d. View 217 in FIG. 21d shows the connection between 2-way slave modules 216a and 216b, each built according to module 216. The line driver 18b of module 216a transmits only to line receiver 12b
20 of module 216a via wires 11a and 11b. Similarly, the line driver 18b of module 216a transmits only to line receiver 12b of module 216b via wires 11a1 and 11b1.

In another example, the 2-way simultaneous signal propagation (such as full-duplex) is provided over two conductors using hybrid circuitry, similar to the telephone hybrids that are used within the Public Switched Telephone Network (PSTN) wherever an interface between
25 two-wire and four-wire circuits is needed. A two-wire circuit has both speech directions on the same wire pair, as exemplified by the usual POTS home or small business telephone line. Within the telephone network, switching and transmission are almost always four-wire with the two sides being separated. The fundamental principle is that of impedance matching. The send signal is applied to both the telephone line and a 'balancing network' that is designed to have the
30 same impedance as the line. The receive signal is derived by subtracting the two, thus canceling the send audio. Early hybrids were made with transformers configured as hybrid coils that had an extra winding which could be connected out of phase. The name 'hybrid' comes from these

special mixed-winding transformers. A hybrid may use passive (commonly resistors based) or active (power-consuming) circuitry. A hybrid circuit commonly has three ports: a 'T/R' port for connecting to the wire pair carrying signals in both ways; an 'R' port extracting received signal from the wire pair; and a 'T' port for receiving the signal to be transmitted to the wire pair.

5 A 2-way slave module **218** based on a hybrid scheme is shown in FIG. 21e. The hybrid **219b** is handling the upstream connection and is connected between the line driver **18b**, line receiver **12a** and connector **19**. The 'T/R' port is connected to the wire pair **11a** and **11b** connecting to a module upstream. The 'R' port extracts the signal received and is connected to line receiver **12a**, and the 'T' port injects the signal to be transmitted and is connected to line
10 driver **18b**. Similarly, the hybrid **219a** is handling the downstream connection and is connected between the line driver **18a**, line receiver **12b** and connector **21**. The 'T/R' port is connected to the wire pair **11c** and **11d** connecting to a module downstream. The 'R' port extracts the signal received and is connected to line receiver **12b**, and the 'T' port injects the signal to be transmitted and is connected to line driver **18a**. Examples of hybrid circuits are disclosed in U.S.
15 Patents 3,877,028, 3,970,805, 4,041,252, 4,064,377 and 4,181,824, which are all incorporated in their entirety for all purposes as if fully set forth herein.

A system **220** formed by 2-way slave modules **200** is shown in FIG. 22. System **220** is based on system **50** shown in FIG. 5, wherein the one-way slave modules **10** are replaced with the 2-way slave modules, each based on the 2-way slave module **200** shown in FIG. 20.
20 Alternatively, slave modules based on the 2-way slave module **210** shown in FIG. 21 may be used. The 2-way slave modules are connected using point-to-point topology, wherein each connection connects two, and only two slave modules. The 2-way slave module **200b** contains connector **19b** for connecting to a former 2-way slave module via wires **11c** and **11d**, and connects to the next 2-way slave module **200c** via wires **11e** and **11f** connected to connector
25 **21b**. The 2-way slave module **200c** contains connector **19c** for connecting to the former 2-way slave module **200b** via wires **11e** and **11f**, and connects to the next 2-way slave module **200d** via wires **11i** and **11j** connected to connector **21c**. The 2-way slave module **200d** contains connector **19d** for connecting to the former 2-way slave module **200c** via wires **11i** and **11j**, and can connect to the next 2-way slave module over wires **11k** and **11l** via connector **21d**.

30 During operation, an activation signal received by 2-way slave module **200b** over wires **11c** and **11d** activates the payload (after a delay, if implemented) in the 2-way slave module **200b** (or connected to slave module **200b**). At a later stage, the activation signal is propagated to

activate the payload associated with the 2-way slave module **200c**, and sequentially to the 2-way slave module **200d**. System **220** supports bi-directional signal flow, and thus an activation signal received from the next 2-way module over the wires **11k** and **11l** will propagate upwards. The activation signal received by 2-way slave module **200d** over wires **11k** and **11l** activates the payload (after a delay, if implemented) in the 2-way slave module **200d** (or connected to slave module **200d**). At a later stage, the activation signal is propagated upstream to activate the payload associated with the 2-way slave module **200c**, and sequentially to the 2-way slave module **200b**.

The timing diagram **221** of system **220** is shown in FIG. 22a, corresponding to the unidirectional system timing diagram **65** shown in FIG. 5b. Column **62a** relates to the time lapsed in the system, wherein each row **61a-j** is associated with a time period of operation of a specific one of the 2-way slave modules, starting with receiving an activation signal until signaling the next module to be activated. In the example of system **220**, three 2-way slave modules are connected, wherein column #1 **62c** is associated with the one of the payloads of the 2-way slave module **200b**, column #2 **62d** is associated with the payload of slave module **200c**, column #3 **62e** is associated with the payload of slave module **200d**. From TIME=0 **61a** to TIME=4 **61e** is an example of a downstream propagation, similar to the one-way system **50**. TIME=0 row **61a** relates to the time before receiving any activation signal in the slave modules, and thus all payloads are in 'OFF' state. As a result of receiving activation signal by 2-way slave module **200b**, its payload (the downstream payload **25a** shown for 2-way slave module **200** or the payload **25** of 2-way slave module **210**) is activated, represented as 'ON' in TIME=1 row **61b**. Upon timer2 **16a** expiration in slave module **200b**, the payload is deactivated and reverts to 'OFF' state. Similarly, as a result of receiving activation signal by slave module **200c**, its payload (the downstream payload **25a** shown for 2-way slave module **200** or the payload **25** of 2-way slave module **210**) is activated, represented as 'ON' in TIME=2 row **61c**. Next, the payload of slave module **200c** is deactivated and reverts to 'OFF' state. Next, as a result of receiving activation signal by 2-way slave module **200d**, its payload (the downstream payload **25a** shown for 2-way slave module **200** or the payload **25** of 2-way slave module **210**) is activated, represented as 'ON' in TIME=3 row **61d**, followed by deactivation of the payload of 2-way slave module **200d** (reverts to 'OFF' state). At stages TIME=4 **61e**, no payload is activated (all in 'OFF' state), reverting to the original TIME=0 **61a** idle status.

From TIME=5 **61f** to TIME=8 **61i** is an example of an upstream propagation. TIME=4 row **61e** relates to the time before receiving the upstream activation signal by the 2-way slave modules, and thus all payloads are in 'OFF' state. As a result of receiving activation signal by 2-way slave module **200d**, its payload (the downstream payload **25b** shown for 2-way slave module **200** or the payload **25** of 2-way slave module **210**) is activated, represented as 'ON' in TIME=5 row **61f**. Upon timer2 **16b** expiration in slave module **200d**, the payload is deactivated and reverts to 'OFF' state. Similarly, as a result of receiving activation signal by 2-way slave module **200c**, its payload (the downstream payload **25b** shown for 2-way slave module **200** or the payload **25** of 2-way slave module **210**) is activated, represented as 'ON' in TIME=6 row **61g**. Next, the payload of slave module **200c** is deactivated and reverts to 'OFF' state. Next, as a result of receiving activation signal by 2-way slave module **200b**, its payload (the downstream payload **25b** shown for 2-way slave module **200** or the payload **25** of 2-way slave module **210**) is activated, represented as 'ON' in TIME=7 row **61h**, followed by deactivation of the payload of 2-way slave module **200b** (reverts to 'OFF' state). At stages TIME=4 **61e** and at TIME=9 **61j**, no payload is activated (all in 'OFF' state), reverting to the original TIME=0 **61a** idle status.

Each of payload **25a** and **25b** shown as part of 2-way slave module **200** may be of the type that stays activated after being triggered by the corresponding GATE signal, as was exemplified above in table **67** in FIG. 5d. Similarly, the payload **25** shown as part of 2-way slave module **210** may be of the type that stays activated after being triggered by the corresponding GATE signal. A timing diagram in table **222** shown in FIG. 22b corresponds to 2-way slave module **200** based system where the two payloads **25a** and **25b** are each of the type that stays activated after being triggered. Since payload **25a** is activated upon receiving a downstream activation signal, the payload **25a** in the 2-way slave module **200b** is activated in TIME=1 row **61b** and stays activated, and similarly the payload **25a** in the 2-way slave modules **200c** and **200d** are respectively activated in TIME=2 row **61c** and TIME=3 row **61d** and stays activated thereafter (noted as ON1 in table **222**). Since payload **25b** is activated upon receiving an upstream activation signal, the payload **25b** in the 2-way slave module **200d** is activated in TIME=5 row **61f** and stays activated, and similarly the payload **25b** in the 2-way slave modules **200c** and **200b** are respectively activated in TIME=6 row **61g** and TIME=7 row **61h** and stays activated thereafter together with the payload **25a** (noted as ON12 in table **222**).

In one embodiment, the payload **25a** or the payload **25b** of slave module **200** (or both) are toggle controlled, wherein each triggering event causes the payload to switch to an alternate

state, for example by using a toggle switch, similar to the one-way associated table 68 in FIG. 5e. A timing diagram in table 223 shown in FIG. 22c corresponds to the system 220 employing 2-way slave module 210 where the payload 25 is of a toggle type. In this case, any activation signal, either downstream or upstream, will switch the payload 25 of the corresponding 2-way slave module to an alternate state. The first activation in TIME=1 in row 61b activates the payload 25 in the 2-way slave module 210b (replacing module 200b in system 220) into 'ON' state, and the payload stays in this state through TIME=6 in row 61g, where the upstream activation signal will toggle the payload into an 'OFF' state. The payload 25 in the 2-way slave module 210c (replacing module 200c in system 220) is activated in TIME=2 in row 61c 10 activates into 'ON' state, and the payload stays in this state through TIME=5 in row 61f, where the upstream activation signal will toggle the payload into an 'OFF' state. Similarly, the payload 25 in the 2-way slave module 210d (replacing module 200d in system 220) is activated in TIME=3 in row 61d activates into 'ON' state, and the payload stays in this state through TIME=4 in row 61e, where the upstream activation signal will toggle the payload into an 'OFF' state. In this mechanism, the next activation, either downstream or upstream, signal will re- 15 activate the payload.

A loopback module may be used in order to invert the direction of the propagation of the activation signal in a system, either from downstream to upstream directions or vice versa. An example of a loopback module 230 is shown in FIG. 23. The loopback module 230 includes all 20 the functionalities of slave module 10 shown in FIG. 1, such as incoming connector 19, line receiver 12, TIMER1 14, TIMER2 16, payload 25 and line driver 18. Similar to the slave module 10, the payload 25 will be activated as a response to receiving an activation signal, and after such activation the activation signal will be transmitted via line driver 18. However, the loopback module 230 is distinct from a slave module by having only a single network 25 connection via connector 19, and where the output of the line driver 18 is connected to the connector 19. Thus, after the corresponding delays, an activation signal received in connector 19 from the former module via wires 11a and 11b, will be transmitted back to the system via connector 19 to the same wires 11a, and 11b, thus inverting the direction of the activation signal propagation. In order to avoid the activation signal to be looped back to the loopback module and causing infinite triggering sequence, TIMER2 16 is connected to TIMER1 14 via 30 connection 231 carrying 'INHIBIT21' signal, inhibiting TIMER1 14 to be triggered during the activation of TIMER2 16. Alternatively, the signal 'GATE' 22 can be connected to the line

receiver 12 via connection 232 carrying the 'INHIBIT412' signal, which inhibits the receiving of any signal when line driver 18 is transmitting out the activation signal. Other similar mechanisms to avoid the internal loopback may be equally used. In other examples, the loopback module only involves the receiving and transmitting functionalities, without employing any payload or any payload activation functions.

An example of a 2-way system 240 is shown in FIG. 24, based on the 2-way system 220 shown in FIG. 22. A master module 140 is added upstream to the 2-way slave module 200b using connector 21a for connecting the master module 140 to wires 11c and 11d. The loopback module 220 is connected downstream from the 2-way slave module 200d using connector 19e for connecting to the wires 11k and 11l. The system 240 is idle until initiated by activating the switch in the master module 140. After activating the payload in the master module 140 the activating signal is propagated downstream sequentially activating the payloads in modules 200b, 200c and 200d, and then activating the payload in the loopback module 220. The loopback module 220 then initiates an activating signal towards the 2-way slave module 200d, thus starting upstream propagation. The upstream propagation involves sequential activation of the payloads in the 2-way slave modules 200d, 200c and 200b, until reaching the master module 140. The system 240 then remains idle until further initiating of an activating sequence by the master module 140.

A timing diagram 241 of system 240 is shown in FIG. 24a. The column 62a relates to the time lapsed in the system, wherein each row 61a-j is associated with a time period of operation of a specific one of the 2-way slave modules, starting with receiving an activation signal until signaling the next module to be activated. The column #1 62g is associated with the payload in the master module 140 in system 240. The column #2 62c is associated with the payload (or one of the payloads in case of multiple payloads) of the 2-way slave module 200b, column #3 62d is associated with the payload of slave module 200c, column #4 62e is associated with the payload of slave module 200d. The column #5 62h is associated with the payload in the loopback module 220 in system 240. From TIME=1 61b to TIME=5 61e is an example of a downstream propagation, similar to the one-way system 50. TIME=0 row 61a relates to the time before receiving any activation signal in the slave modules, and thus all payloads are in 'OFF' state. As a result of initiating by activating a switch in the master module 140, its payload is activated, represented as 'ON' in TIME=1 row 61b. Sequentially after the activation signal is received by the 2-way slave module 200b, its payload (the downstream

payload **25a** shown for 2-way slave module **200** or the payload **25** of 2-way slave module **210**) is activated, represented as 'ON' in TIME=2 row **61c**. Upon timer2 **16a** expiration in slave module **200b**, the payload is deactivated and reverts to 'OFF' state. Similarly, as a result of receiving an activation signal by slave module **200c**, its payload (the downstream payload **25a** shown for 2-way slave module **200** or the payload **25** of 2-way slave module **210**) is activated, represented as 'ON' in TIME=3 row **61d**. Next, the payload of slave module **200c** is deactivated and reverts to 'OFF' state. Next, as a result of receiving activation signal by 2-way slave module **200d**, its payload (the downstream payload **25a** shown for 2-way slave module **200** or the payload **25** of 2-way slave module **210**) is activated, represented as 'ON' in TIME=4 row **61e**, followed by deactivation of the payload of 2-way slave module **200d** (reverts to 'OFF' state). At stages TIME=5 **61f**, the payload in the loopback module **220** is activated. The loopback module **220** initiates an upstream activation, sequentially activating the payload in the 2-way slave module **200d** in stage TIME=6 **61g**, the payload in the 2-way slave module **200c** in stage TIME=7 **61h**, and ending with activating the payload in the 2-way slave module **200b** in stage TIME=8 **61i**, thus reverting to system idle state in TIME=9 **61j**. Similar to the above discussion, table **242** in FIG. 24b shows the timing diagram in case of payloads that stays 'ON' after being activated, and table **243** in FIG. 24c shows the timing diagram in case of payloads which are toggle-controlled.

An example of a splitter module **250** for use in 2-way systems is shown in FIG. 25. While the 2-way splitter modules are described herein as splitting into three paths, it is apparent that splitting to any number of ports may be used, such as two, four, five or any other number for creating multiple propagation paths. The downstream path in 2-way splitter module **250** is similar to the unidirectional splitter **70** in FIG. 7 described above. An activation signal from wires **11a** and **11b** via connector **19** is received by line receiver **12a**, which simultaneously feeds the line drivers **18b**, **18c** and **18d** respectively connected to connectors **21a**, **21b** and **21c**. In the upstream path, an activation signal received from wires **11c** and **11d** via connector **21a** is received by line receiver **12b** producing 'GATE B' signal over connection **242b**, an activation signal received from wires **11e** and **11f** via connector **21b** is received by line receiver **12c** producing 'GATE C' signal over connection **242c**, and an activation signal received from wires **11g** and **11h** via connector **21c** is received by line receiver **12d** producing 'GATE D' signal over connection **242d**. The three signals 'GATE B', 'GATE C', and 'GATE D' are or-ed by the 'OR' gate **241a**, feeding line driver **18a** connected to transmit the activation signal upstream via

connector **19**. In this configuration, a downstream activation signal is simultaneously distributed to all three downstream connected modules (connected via connectors **21a**, **21b** and **21c**). Any upstream activation signal received in one of the downstream connections (via connectors **21a**, **21b** and **21c**) will be simultaneously propagated upstream via connector **19**.

5 An alternative 2-way splitter / slave module **251** is shown in FIG. 25a. A Payload & Timing Block 1 **215a** is added in the path connecting to the connector **21a**, a Payload & Timing Block 2 **215b** is added in the path connecting to the connector **21b**, and a Payload & Timing Block 2 **215c** is added in the path connecting to the connector **21c**. The added blocks introduce delays in the activation signal either in the downstream propagation, or in the upstream
10 propagation or both. The delays can be the same or different. Further, a payload **25** is added in each block **215** as shown in FIG. 25a, activated in either direction of the activation signal flow. Alternatively, one, part or all of the blocks **215a**, **215b** and **215c** may be substituted with the Payload and Timing Block **205** shown in FIG. 20a, offering two distinct payloads **25a** and **25b**, one activated by the downstream signal and the other activated by the upstream signal. In
15 general, the various payloads in such a 2-way splitter / slave module may be each individually operated by a corresponding activation signal relating to one of the directions (upstream or downstream) and to one of the connections. Alternatively, various dependencies may be implemented between the payloads. For example, a payload may be operated using an 'OR' gate, thus being activated by any one of the activation signals flowing through the module. In
20 another example, a payload may be operated using an 'AND' gate, thus being activated only when plurality of the activation signals are flowing through the module. Other logic schemes may be equally applied.

A 2-way system **260** containing a 2-way slave / splitter module **251** is shown in FIG. 26 and is based on system **240** shown in FIG. 24. The 2-way slave / splitter module **251** is
25 connected between 2-way slave modules **200b** and **200c**, wherein slave module **200b** is connected to the upstream connector **19f** and slave module **200c** connected to the downstream connector **21j**. The 2-way slave / splitter module **251** is further, via the downstream connector **21h**, connecting to wires **11m** and **11n** to the 2-way slave module **200e** via its connector **19f**.

System **260** timing diagram is shown in table **261** in FIG. 26a which is based on table
30 **241** shown in FIG. 24a. The added column #6 **62i** corresponds to the state of one of the payloads in the 2-way slave / splitter module **251**, and the added column #7 **62j** corresponds to the state of one of the payloads in the 2-way slave module **200e**. In TIME=3 **61d**, one or more of the

payloads of 2-way slave / splitter module **251** is activated. Assuming the delays introduced by the 2-way slave / splitter module **251** in all paths are the same, then next in TIME=4 **61e**, both the 2-way slave module **200e** and the 2-way slave module **200c** are activated. The downstream propagation continues in TIME=5 **61f** and TIME=6 **61g**, respectively turning 'ON' the payloads in the 2-way slave module **200d** and the loopback module **220**. The loopback module **220** initiates the upstream propagation, sequentially activating in TIME=7 **61h** module **200d**, in TIME=8 **61i** module **200c**, in TIME=9 **61i** 2-way slave / splitter module **51**, ending with TIME=10 **61k** module **200b**. The system then reverts to its original idle state.

Another example of a 2-way slave / splitter module **255** is shown in FIG. 25b, based on the 2-way slave / splitter module **251** shown in FIG. 25a. An 'OR' gate **241b** is connected between the Payload & Timing Block 1 **215a** and the line driver **18b**. The 'OR' gate **241b** performs the 'or' operator on the downstream activation signal output from the 'Payload & Timing Block 1' **215a**, the 'GATE C' signal, which is the output of the upstream activation signal output from the 'Payload & Timing Block 2' **215b**, and the 'GATE D' signal, which is the output of the upstream activation signal output from the 'Payload & Timing Block 3' **215c**. Thus, any activation signal received from any one of the connections (other than the connector **21a** port to which the activation signal is transmitted) of the 2-way slave /splitter module (either upstream or downstream) will be repeated (after the appropriate delay and payload activation, if implemented) to the next module connected over wires **11c** and **11d** via connector **21a**. Similarly, an 'OR' gate **241c** is connected between the 'Payload & Timing Block 2' **215b** and the line driver **18c**. The 'OR' gate **241c** performs the 'or' operator on the downstream activation signal output from the 'Payload & Timing Block 2' **215b**, the 'GATE B' signal, which is the output of the upstream activation signal output from the 'Payload & Timing Block 1' **215a**, and the 'GATE D' signal, which is the output of the upstream activation signal output from the 'Payload & Timing Block 3' **215c**. Thus, any activation signal received from any one of the connections (other than the connector **21b** port to which the activation signal is transmitted) of the 2-way slave /splitter module (either upstream or downstream) will be repeated (after the appropriate delay and payload activation, if implemented) to the next module connected over wires **11e** and **11f** via connector **21b**. Further, an 'OR' gate **241d** is connected between the 'Payload & Timing Block 3' **215c** and the line driver **18d**. The 'OR' gate **241d** performs the 'or' operator on the downstream activation signal output from the 'Payload & Timing Block 3' **215c**, the 'GATE B' signal, which is the output of the upstream activation signal output from the

'Payload & Timing Block 1' **215a**, and the 'GATE C' signal, which is the output of the upstream activation signal output from the 'Payload & Timing Block 2' **215b**. Thus, any activation signal received from any one of the connections (other than the connector **21c** port to which the activation signal is transmitted) of the 2-way slave /splitter module (either upstream or downstream) will be repeated (after the appropriate delay and payload activation, if implemented) to the next module connected over wires **11g** and **11h** via connector **21c**. Hence, the 2-way splitter / slave module **255** is operative to repeat an activation signal received in any one of its connections (either upstream or downstream) to all other connections.

A 2-way system **270** containing a 2-way slave / splitter module **255** is shown in FIG. 27 and is based on system **260** shown in FIG. 26. The 2-way slave / splitter module **250** is substituted with the 2-way slave / splitter module **255**. In such a scheme, any activation signal received by the 2-way slave / splitter module **255** in any one of its connections, will be propagated to all the other connections. System **270** timing diagram is shown in table **271** in FIG. 27a, which is based on table **261** shown in FIG. 26a. The downstream propagation is identical to the system **260** operation. However, in the upstream direction, an activation signal reaching the 2-way slave / splitter module **255** will be distributed upstream to the 2-way slave module **200b** (as before), and also to the downstream connected 2-way slave module **200e**, activating it as shown as 'ON' in TIME=10 **61k**.

A 2-way master module **280** is shown in FIG. 28, based on unidirectional master module **145** shown in FIG. 14b. An 'OR' gate **241b** is added between the switch **141** and TIMER1 **14**, supporting the former functionality of the master module **145** of initiating an activation signal by activating switch **141**. A line receiver **12a** is connected to the connector **21a**, and thus receiving any upstream activation signal received from wires **11a** and **11b**. The received activation signal is then fed to the OR gate **241b**, and causing the received activation signal to initiate TIMER1 **14** as if initiated by the switch **141**, which will initiate a new activating sequence downwards. Hence, the 2-way master module **280** includes a loopback functionality (similar to loopback module **220**), reverting an upstream to downstream propagation of the activation signal.

An example of a 2-way system **290** containing a 2-way master module **280** is shown in FIG. 29, and is based on system **240** shown in FIG. 24. The 1-way master module **140** is substituted with the 2-way master module **280**, thus any upstream activation signal received by the 2-way master module **280** will activate its internal payload **25** and will be looped back downwards as if the activation switch **141** has been re-activated. In such a scheme, the activation

signal is reverted from downstream to upstream by the loopback module 220, and the activation signal is reverted from upstream to downstream by the 2-way master module 280. Thus after a single activation of the system (by switch 141 in the 2-way master module 280), the activation signal will infinitely propagate downstream and upstream without any external intervention. A system 290 timing diagram is shown in table 291 in FIG. 29a, which is based on table 241 shown in FIG. 24a. The system 290 operation until TIME=8 61i is identical to the sequence in table 241, including activation in TIME=1 61b, downstream propagation until TIME=5 61f when the loopback module 220 is activated, following the upstream propagation until TIME=8 61i. The upstream activation signal reaches the 2-way master module 280 and activates its payload 25 in TIME=9 61j. The 2-way master module 280 also reverts the system 290 to downstream propagation by sending activation to the 2-way slave module 22b, activated in TIME=10 61k, followed by activating of the 2-way slave module 200c in TIME=11 61l. The system 290 status in TIME=9 61j is identical to its status in TIME=1 61b, the system 290 status in TIME=10 61k is identical to its status in TIME=2 61c, wherein the 2-way slave module 200b is activated, and similarly the system 290 status in TIME=11 61l is identical to its status in TIME=3 61d wherein the 2-way slave module 200c is activated. The sequence including the states TIME=1 61b to TIME=8 61i will thus be repeated infinitely. Table 292 in FIG. 29b shows the system 290 states in the case wherein all the payloads are toggle-controlled.

Another example of a 2-way master module 300 is shown in FIG. 30, based on unidirectional master module 160 shown in FIG. 16. Three line receivers 12b, 12c and 12d are added, connected to receive upstream activation signal from the respective connectors 21a, 21b and 21c. The three upstream activation signals received are or-ed, together with the switch 141 activation signal, by the 'OR' gate 241, which output activates TIMER1 14. In this configuration, the initiation of a downstream sequence by activating the switch 141 is retained, added to the functionality that any upstream signal received from one of the connector 21a, 21b and 21c will both activate the payload 25 in the 2-way master module 300 and will further initiate a downstream sequence in all the connected downstream paths. In an alternative embodiment, the reverting from upstream to downstream in the activated paths will exclude the path from which the activation signal was received, similar to the functionality of the splitter 255 shown in FIG. 25b.

An example of a 2-way system 310 containing a 2-way master module 300 is shown in FIG. 31, having similar topology such as the unidirectional system 185 shown in FIG. 18a. The

one-way slave modules **10a**, **10b**, **10c** and **10d** are respectively substituted with the 2-way slave modules **200a**, **200b**, **200c** and **200d**, and the 1-way splitter module **60b** is substituted with the 2-way splitter module **255**. The 1-way master module **160** is substituted with the 2-way master module **300**, thus any upstream activation signal received by the 2-way master module **300** will activate its internal payload **25** and will be looped back downwards as if the activation switch **141** has been re-activated. A loopback module **220** is connected via connector **19e** downstream to the 2-way slave module **200a** over wires **11k** and **11l**. In such a scheme, the activation signal is reverted from downstream to upstream by the loopback module **220**, and the activation signal is reverted from upstream to downstream by the 2-way master module **300**. Thus after a single activation of the system (by switch **141** in the 2-way master module **300**), the activation signal will infinitely propagate downstream and upstream without any external intervention.

The example system **310** shown in FIG. 31 and other 2-way systems exemplified above included a single master module, hence the system operation can be initiated only by the switch **141** of the corresponding 2-way master module. In another example, two or more master modules are used, each allowing for system initiation, and thus not limiting the system activation to a single point. An example of such a 2-way system **311** containing two 2-way master modules is shown in FIG. 31a, having similar topology as the system **310** shown in FIG. 31. The loopback module **220** in system **310** is substituted with the 2-way master module **280**. Since the 2-way master module **280** includes a loopback function, the functionalities and the operation of the system **310** are not changed. However, the system **311** can be initiated by the 2-way master module **280** (by its switch **141**), in addition to the initiation by the switch **141** in the 2-way master module **300**.

Payload Control.

The control of a payload, either internal or external to a module) is dependent upon the 'GATE' signal. In one aspect, the payload is activated as long as the 'GATE' signal is active. For example, in the example of a payload including a lamp, the lamp will illuminate during the time when the 'GATE' signal is active (either active-low or active-high).

FIG. 32 shows a timing diagram **315** relating to cases wherein the payload control is triggered ON and / or OFF based on the GATE signal. The GATE signal is shown in timing chart **316**, and shows a first activating pulse **317a** followed by another activating pulse **317b**. In a 1-way system, the two activation pulses may be generated as a response to two activations of a

switch in the master module. In a 2-way system, the first pulse may relate to one direction and the other pulse can be the result of an activation signal in the other direction.

In one example, the payload control is latched based on the GATE signal. Such scheme is shown in graph CONTROL1 318 in FIG. 32, and is exemplified in module 325 shown in FIG. 32a. A set-reset latch flip-flop 326 is coupled between the 'GATE' signal carried over connection 22 and generates the CONTROL1 signal carried over connection 326 to payload 25 via connector 31. As shown in graph 318, the rising edge of the first GATE activation pulse 317a triggers the CONTROL1 signal to be latched into a steady high ("1") state. This state does not change regardless of changes in the 'GATE' signal 316. In the example of a payload 25 including a lamp, the lamp stays powered and illuminating after its single activation. The system may or may not reset upon power removal to the module (or to the payload) and repowering it. Further, the system can reset to its initial state by an external event or by a logic that is internal to and part of the payload 25.

Another alternative is shown in graph CONTROL2 319 in FIG. 32, the payload 25 is activated by the rising edge of the GATE pulse 317a, and stays activated for a set time. A third timer is added (added to TIMER1 14 and TIMER2 16), controlled by the GATE signal and producing the CONTROL2 319 signal. The time period of the operation can be determined similar to setting of the other timers.

In another alternative, the GATE signal is used to toggle the payload 25 state. The payload state is changed (e.g., from 'active' to 'non active' and vice versa) each time a GATE pulse is present. Such scheme is shown in graph CONTROL3 314 in FIG. 32, and is exemplified in module 328 shown in FIG. 32b. A toggle flip-flop 329 is coupled between the 'GATE' signal carried over connection 22 and generates the CONTROL3 signal carried over connection 326 to payload 25 via connector 31. The payload is activated upon the rising edge of the first GATE pulse 317a, until the rising edge of the second GATE pulse 317b.

Powering.

The electric circuit in one, few or all of the modules in a system may be energized by a local power source. In this scheme, a module is individually powered, for example by a power source integrated within the module enclosure. An example of a locally powered 1-way slave module 320 is shown in FIG. 33. The slave module contains the slave module functionality of the slave module 10 shown in FIG. 1. The electrical circuits in the slave module 320 are

powered from the battery 321 serving as the DC (Direct Current) power source and integrated in the slave module 320 enclosure. The battery 321 may be a primary or a rechargeable (secondary) type, may include a single or few batteries, and may use various chemicals for the electro-chemical cells, such as lithium, alkaline and nickel-cadmium. Common batteries are manufactured in defined output voltages (1.5, 3, 4.5, 9 Volts, for example), as well as defined standard mechanical enclosures (usually defined by letters "A", "AA", "B", "C" sizes etc. and 'coin' type). Commonly, the battery (or batteries) is enclosed in a battery compartment or a battery holder, allowing for easy replacement, such as battery compartment 641 shown for master module 640 in FIG. 64. A DC / DC converter 322 may be added between the battery and one or all of the electrical circuits in the module 320 adapting between the battery 321 voltage (e.g., 9VDC or 1.5 VDC) and the voltage required by the internal electrical circuits (e.g., 5VDC or 3.3 VDC).

As an alternative or as addition to using internal battery as a power source, a module can be power fed from an external power source, such as the AC power supply or an external battery. External powering is exemplified in FIG. 33a, showing a slave module 330 (exemplified as based on the slave module 10 in FIG. 1), connected to an external power source 323 via a connector 324 (preferably a power connector). In the case wherein an external power source 323 is used, the DC/DC converter 322 is replaced (or supplemented) with an AC / DC converter, for converting the AC power (commonly 115VAC/60Hz in North America and 220VAC/50Hz in Europe) into the required DC voltage or voltages. AC powering is exemplified in a module 370 in FIG. 37 showing an AC plug 373 connected to the module 370 AC connector 372 via cord 374, feeding AC / DC converter 371, pictorially shown as AC plug 647 and cable 646 in view 648a in FIG. 64a. The AC/DC adapter may further be external and plugged to an AC outlet. Such small outlet plug-in step-down transformer shape can be used (also known as "wall-wart", "power brick", "plug pack", "plug-in adapter", "adapter block", "domestic mains adapter", "power adapter", or AC adapter) as known in the art and typically involves converting 120 or 240 volt AC supplied by a power utility company to a well-regulated lower voltage DC for electronic devices. A module may include a chargeable battery and AC power connection, the latter used for charging the internal battery as known in the art.

In an alternative powering scheme, a module (or few or all modules in a system) is remotely powered via the connection (or connections) to another module (or modules). For example, such scheme may allow a system to be powered by a single power source, wherein the

power supplied is carried to power all the modules in the system via the modules connections. An example of a remotely powered 1-way slave module **340** is shown in FIG. 34 (exampled as based on the slave module **10** in FIG. 1). The upstream connector **19** is shown to contain four contacts for connecting to the activation signal carrying conductors **11a** and **11b** and to the power carrying conductors **341a** and **341b**. In one example, the power can be carried over the conductors **341a** and **341b** as a DC power signal, and the module **340** further contains a DC / DC converter **322** for adapting the DC voltage supplied to the DC voltage levels required by the module **340** internal electrical circuits. Alternatively, the power signal carried over the conductors **341a** and **341b** is an AC power signal, and in such a case the DC / DC converter is replaced with a corresponding AC / DC converter. The downstream connector **21** of slave module **340** also contains four contacts for connecting to both the activation signal carrying conductors **11c** and **11d** and to the power carrying conductors **341c** and **341d**. The power conductors **341c** and **341d** are respectively connected to the incoming power conductors **341a** and **341b** for supplying the power to the next module connected via the downstream connector **21**, hence the power signal is carried and propagated downstream similar to the activation signal in a 1-way system. In an alternative embodiment, the power signal flow is directed upstream, wherein power is received from the power conductors **341c** and **341d**, and fed upstream to the conductors **341a** and **341b**.

In the case of remote powering wherein the power is fed to a module via the connection to another module, a powering module is used to inject the power to the system. An example of a powering module **350** is shown in FIG. 35. A battery **321** serves the power source to part or all of the system, connected to the power conductors **341a** and **341b** via connector **19** for powering the upstream connected modules, and further connected to the power conductors **341c** and **341d** via connector **21** for powering the downstream connected modules. A powering module such as the powering module **350** shown in FIG. 35 and any other module, and in particular modules having external connections (e.g., to a payload) and / or handling power, may use protection unit **351** (shown in FIG. 35 connected between the battery **321** as the power source and the system wiring) for protecting the system from harmful effects, such as overheating, fire, explosion or damages (e.g., a short circuit due to a fault, damaged or a wrong connection), or for improved safety, for example for meeting the required safety and ESD / EMC requirements imposed by the UL / FCC in the U.S.A. and CE / CENELEC in Europe. The protection block **351** is typically handling surges, over-voltage, lightning, and ensuring a safe and undamaged operation.

Commonly, the protection involves current limiting using a fuse, active current limiter circuit or a circuit breaker. For example, the protection may be based on, for example, P3100SC '275V SIDACTOR® Device' from Littelfuse of Des Plaines, IL, U.S.A.

An alternative powering module **360** is shown in FIG. 36, showing an external power source **363** connected via a power connector **362** to a power supply **361**, which feeds the power to the system wires **341a**, **341b** and wires **341c** and **341d** via the protection circuit **351**. The power supply **361** is used to adapt between the external power source **363** supplied voltages to the system internal voltage, by converting the input voltage (e.g., normal 120 or 240 volts AC power) to AC and / or DC at the various voltages and frequencies. Powering module **370** shown in FIG. 37 examples the case wherein the power source is the AC domestic mains 120 or 240 volt AC supplied by a power utility company and provided via the AC power plug **373** connected via the AC power cable **374**, which is connected via the AC power connector **372** to the AC / DC converter **371** for providing the regulated and stabilized DC voltage (or voltages) to be carried over the system wires.

The powering related circuit of a splitter module **380** is shown in FIG. 38. The powering functionality may be added to any of the 1-way splitter modules described above in FIGS. 6-11 such as splitter module **70** shown in FIG. 7, splitter module **90** shown in FIG. 9 or slave / splitter module **110** shown in FIG. 11. Further, the powering functionality may be added to any of the 2-way splitter modules described above in FIGS. 25-25b such as splitter module **250** shown in FIG. 25 or splitter module **255** shown in FIG. 25b. The splitter module **380** connects to the upstream power conductor pair **341a** and **341b** via connector **19**, to the downstream power conductors **341c** and **341d** via connector **21a**, to the downstream power conductor pair **341e** and **341f** via connector **21b** and to the downstream power conductor pair **341g** and **341h** via connector **21d**. A power signal received from any of the power conductor pair will feed the DC / DC converter **322**, which in turn will power the splitter module electrical circuits. Since all power conductors pairs are connected together, any power signal received in any one of the pairs will be distributed to all the other connections via the corresponding connectors.

The powering related circuit of a master module **390** is shown in FIG. 39. The powering functionality may be added to any of the 1-way master modules described above in FIGS. 14-16 such as master module **140** shown in FIG. 14, master module **150** shown in FIG. 15 or master module **160** shown in FIG. 16. Further, the powering functionality may be added to any of the 2-way master modules described above in FIGS. 25-30, such as master module **280** shown in FIG.

28 or master module **300** shown in FIG. 30. The powering / master module **390** connects to the downstream power conductors **341c** and **341d** via connector **21a**, to the downstream power conductor pair **341e** and **341f** via connector **21b** and to the downstream power conductor pair **341g** and **341h** via connector **21d**. A power signal received from any of the power conductor pair will feed the DC / DC converter **322**, which in turn will power the master module electrical circuits. Since all power conductor pairs are connected together, any power signal received in any one of the pairs will be distributed to all the other connections via the corresponding connectors. Similarly, a loopback module can be powered by its connection to the power conductors via its connector to the system.

10 An example of a remote-powered system **400** is shown in FIG. 40, based on the system **260** shown in FIG. 26. The slave modules **200b**, **200e** and **200d** include a powering functionality similar or identical to the powering functionality shown for slave module **340** shown in FIG. 34. Similarly, the master module **140** (and the loopback module **220**) includes a powering functionality similar or identical to the powering functionality shown for master module **390** shown in FIG. 39. Further, the splitter module **251** includes a powering functionality similar or identical to the powering functionality shown for splitter module **380** shown in FIG. 38. The power conductor pair **341c** and **341d** connects the master module **140** and the slave module **200b**, the power conductor pair **341f** and **341e** connects the slave module **200b** and the splitter module **251** upstream connection, the power conductor pair **341h** and **341g** connects the slave module **200e** and the splitter module **251** downstream connection, and the power conductor pair **341l** and **341k** connects the slave module **200d** and the loopback module **220**. A powering module **370** substitutes for the slave module **200c** in system **260**, and connects to splitter module **251** via power conductor pair **341m** and **341n** and to the slave module **200d** via power conductor pair **341i** and **341j**. Similarly, powering modules **350** or **360** may be equally used. The AC power is sourced from AC power source via AC plug **373** to the powering module **370**. After conditioning (e.g., voltage and AC / DC conversion) the power is supplied downstream over the power conductors **341i** and **341j** to the slave module **200d**, and further to the loopback module **220** via power conductors **341k** and **341l**. The power is also supplied upstream to the splitter **251** over power conductors **341m** and **341n**, and via the splitter module **251** to the slave module **200e** over power conductors **341g** and **341h**. The splitter module **251** further transfer the power upstream to the slave module **200b** over power conductors **341e** and **341f**, and from the slave module **200b** to the master module **140** via power conductors **341c** and

341d. Hence, the whole system is fed from a single power source via a single AC power plug **373**.

A module may double as both a powering module and either a slave, a master or a splitter module. The powering related circuit of a powering / master module **410** is shown in FIG. 41. The powering functionality may be equally added to any of the master modules described above in FIGS. 14-16 such as master module **140** shown in FIG. 14, master module **150** shown in FIG. 15 or master module **160** shown in FIG. 16. Further, the powering functionality may be added to any of the 2-way master modules described above in FIGS. 25-30, such as master module **280** shown in FIG. 28 or master module **300** shown in FIG. 30. The powering / master module **390** connects to the downstream power conductors **341c** and **341d** via connector **21a**, to the downstream power conductor pair **341e** and **341f** via connector **21b** and to the downstream power conductor pair **341g** and **341h** via connector **21d**. An AC power signal is received from AC power source by the AC plug **373** and the AC power cable **374**, connected to the module via the AC power connector **372**. The AC power is converted to appropriate DC voltage (or voltages) by the AC / DC converter **371**, and the resulting DC power is fed to the downstream connectors **21a**, **21b** and **21d** via the protection circuitry **351**. Similarly, a loopback module can include a powering functionality to feed the system power conductors via its connector (or connectors). An alternative battery powered functionality of a powering / master module **420** is shown in FIG. 42, wherein the internal battery **321** replaces the external AC power as a powering source.

FIGS. 34-42 described above exemplified the case wherein the power is carried over dedicated and distinct wires, thus the power signal is carried separated from any other signals carried between the modules such as the activation signal. Such configuration further requires the use of connectors (such as connectors **19** and **21**) having at least four contacts, two for the power and two for the activation signal (or any other signal propagating in the system). In an alternative remote powering scheme, the power signal and the data signal (e.g., activation signal) are concurrently carried together over the same wire pair. This scheme makes use of a power / data splitter / combiner (P/D S/C) circuit, which either combines the power and data signals to a combined signal, or splits a combined signal into its power and data signals components. Such P/D S/C circuit **431** (e.g., P/D S/C **431a** and **431b** in FIG. 43) commonly employs three ports designated as 'PD' **433** (stands for Power + Data), 'D' **432** (stands for Data only) and 'P' **434** (stands for Power only). A data signal received from, or transmitted to, the port D **432** is

combined with the power signal fed from, or supplied to, port P 434, and the combined signal is fed to, or being fed from, the port PD 433. Thus, power signal is transparently passed between ports PD 433 and P 434, while data signal (e.g. activation signal) is transparently passed between ports PD 433 and D 432. For example, a combined power and data signal received in port 433 is separated by the P/D S/C 431 to a power signal routed to port P 434 and to a data signal routed to port D 432. Similarly, a power signal received in port P 434 and a data signal received in port D 432a are combined by the P/D S/C 431 to a power / data signal in port 433. The power signal may be AC or DC, and the P/D S/C 431 may contain only passive components or alternatively may contain both active and passive electronic circuits.

An example of a remotely powered 1-way slave module 430 using P/D S/Cs is shown in FIG. 43 (exemplified as based on the slave module 10 in FIG. 1). The upstream connector 19 is shown to contain two contacts for connecting to the conductors 11a and 11b carrying combined power and activation signals. The received signal is connected to port PD 433a of the P/D S/C 431a. The P/D S/C 431a separates the activation signal and provides the separated activation signal via port D 432a to the line receiver 12. The P/D S/C 431a separates the power signal and provides the separated activation signal via port P 434a to the DC / DC converter 322, which in turn feeds the module 430 circuits. The activation signal to be transmitted to the next module via the downstream connection 21 is connected to D port 432b of the P/D S/C 431b. The separated power signal from the P/D S/C 431a is connected to port P 434b of the P/D S/C 431b. The P/D S/C 431b combines the activation and power signal, and the combined signal is fed to the next module via connector 21 and wires 11c and 11d. Thus, the power feeding is propagated through and feeding the slave module 430, while the activation signal is propagated as described above, yet using only two wires for connecting the modules.

Supplying the power to the system may for example use a powering module 440 shown in FIG. 44, which examples the case wherein the power source is the AC mains 120 or 240 volt AC supplied by a power utility company is used as a power source provided by the AC power plug 373 connected via the AC power cable 374, connected via the AC power connector 372 to the AC / DC converter 371 providing the regulated and stabilized DC voltage (or voltages) to be carried over the system wires, similar to powering module 370 shown in FIG. 37 above. The P/D S/C 431a is used to couple the power signal onto the system wires (which also carry the activation signal). The DC power signal from the protection block 351 is connected to port P

434a of the P/D S/C 431a, and the data isolated power signal is fed to the wires 11a and 11b and wires 11c and 11d from the port PD 433a.

A 2-way master module 450 doubles to also include powering functionality as shown in FIG. 45, based on the powering / master module 410 shown in FIG. 41, adapted to support power and data carried over the same wires. A P/D S/C circuit 431a is connected to pass power from the protection block 351 to the wires 11c and 11d via connector 21a, and to further pass data between the wires 11c and 11d via connector 21a and the line driver 18b and line receiver 12b. Similarly, a P/D S/C circuit 431b is connected to pass power from the protection block 351 to the wires 11e and 11f via connector 21b, and to further pass data between the wires 11e and 11f via connector 21b and the line driver 18c and line receiver 12c. Similarly, a P/D S/C circuit 431c is connected to pass power from the protection block 351 to the wires 11g and 11h via connector 21c, and to further pass data between the wires 11g and 11h via connector 21c and the line driver 18d and line receiver 12d.

An example of a remotely fed loopback module 460 is shown in FIG. 46. The P/D S/C circuit 431a is connected to receive power and data signals from the wires 11a and 11b via connector 19, and to pass only the power to the DC / DC converter 322, and to further pass data between the wires 11a and 11b via connector 19 and the line driver 18 and line receiver 12a.

In one example, the data and power signals are carried over the same wires using Frequency Division Multiplexing (FDM), where each signal is using different frequency band, and wherein the frequency bands are spaced in frequency. For example, the power signal can be a DC signal (0Hz), while the data signal will be carried over a band excluding the DC frequency. Similarly, the power signal can be an AC power signal, using a frequency above the frequency band used by the data signal. Separation or combining the power and data signals makes use of filters, passing or stopping the respective bands. An example of a P/D S/C circuit 431 using FDM is shown as circuit 470 in FIG. 47, corresponding to the case wherein the power signal is a DC signal (0Hz), while the data signal is an AC signal carried over a band excluding the DC frequency. A capacitor 472a, which may be supplemented with another capacitor 472b is connected between the PD port 433 and the D port 432, implementing a High Pass Filter (HPF) 471. The HPF 471 substantially stops the DC power signal and substantially passes the data signal between the connected corresponding ports. An inductor 474a, which may be supplemented with another inductor 474b is connected between the PD port 433 and the P port 434, implementing a Low Pass Filter (LPF) 473. The LPF 473 substantially stops the data signal

and substantially passes the DC power signal between the connected corresponding ports. Other passive or active implementations of the HPF 471 and LPF 473 can be equally used.

Alternatively, the data and power signals are carried over the same wires using a split-tap transformer, as commonly known for powering an analog telephone set known as POTS (Plain Old Telephone Service). An example of a P/D S/C circuit 431 using a split-tap transformer scheme is shown as circuit 480 in FIG. 48, corresponding for example to the case wherein the power signal is a DC signal (0Hz), while the data signal is an AC signal carried over a band excluding the DC frequency. A transformer 481 is connected between the PD port 433 and the D port 432, where the primary side windings 482a and 482b connected to the PD port 433, and the secondary winding 482c is connected to the D port 432. The primary side is split to be formed of two windings 482a and 482b, connected together with capacitor 483. The transformer substantially passes the data signal between PD port 433 and the D port 432, while the DC power signal is blocked by the capacitor 483. Any DC signal such as the DC power signal is substantially passed between the PD port 433 and the P port 434.

In another alternative, the power signal is carried over a phantom channel between two pairs carrying the data signal or signals. An example of a P/D S/C circuit 431 using phantom scheme is shown as circuit 490 in FIG. 49, corresponding for example to the case wherein the power signal is a DC signal (0Hz), while the data signal is an AC signal carried over a band excluding the DC frequency. The transformers 491a and 491b are connected between the PD port 433 and the D port 432, substantially passing data signals therebetween. The split tap 492b (of the winding 492a of transformer 491a) and the split tap 492e (of the winding 492d of transformer 491b) are connected to the P port 434, allowing for DC power flow between the PD port 433 and the P port 434. Further, the power may be carried over the wires substantially according to IEEE802.3af or IEEE802.3at standards. Using the phantom channel for carrying power is preferably used in the case wherein four conductors are used as connection medium between modules, such as the configuration shown in module 216 in FIGS. 21c and 21d.

Typically, the payload 25 is a power consuming apparatus, and thus required to be connected to a power source for proper operation. In one example, the payload 25 is fed from the same power source energizing the module corresponding to the payload 25, and controlling it via the GATE activation or control signal. Such scheme is exemplified in slave module 500 shown in FIG. 50, based on slave module 340 shown in FIG. 34. The payload 25 is integrated within the module 500 enclosure and is powered from the DC / DC converter 322 via the power

connection 501, and thus shares the powering circuitry of the slave module 500. The payload 25 may use a dedicated voltage and thus requires a separated output of the DC / DC converter 322, or alternatively share the same output and voltage used by other circuits in the module 500.

Alternatively, the payload 25 is powered from a power source external to the module and separated from the internal power circuitry energizing the module circuits (other than the payload 25). Such scheme is exemplified in slave module 510 shown in FIG. 51, based on slave module 340 shown in FIG. 34. The payload 25 is integrated within the module 510 enclosure, but is powered only from the external power source 511, connected to the payload 25 via connector 513 and power conductors 512a and 512b.

Alternatively, the payload may be external to the module enclosure, yet being powered from and controlled by the module. Such scheme is exemplified in slave module 520 shown in FIG. 52, based on slave module 340 shown in FIG. 34. The payload 521 is external to the slave module 520 enclosure and connected to the slave module 520 via connector 513, but is powered from the module 520 DC / DC converter 322 via the power connection 522, and controlled by the GATE signal over connection 22. In another alternative scheme, the payload is external to the module enclosure and being powered from an external power source 511, yet controlled by the related module. Such scheme is exemplified in slave module 530 shown in FIG. 53, based on slave module 340 shown in FIG. 34. The payload 531 is external to the module 530 enclosure and controlled by the GATE signal over connection 22 via connector 513, but is powered from the power source 511 which is separated from the module 530 (or system) powering scheme.

In one example, the payload control involves supplying power to the payload when activated. In such scheme, a switch is controlled by the GATE signal, switching power from a power source to a payload for its activation. The power source may be internal or external to the module enclosure. Similarly the payload may be internal or external to the module enclosure. Such scheme is exemplified in slave module 540 shown in FIG. 54, based on slave module 340 shown in FIG. 34, showing an external power source 511 and external payload 531. Upon activating of the GATE signal over connection 22, the switch 541 is closed and enables the power flowing from the power source 511 to the payload 531 via the switch 541 connected via connector 542. The case of an internal power source and external payload is exemplified in module 550 shown in FIG. 55. The payload 531 is connected to connector 552, and is powered from the DC / DC converter 322 via the switch 551, activated by the GATE signal.

Randomness.

The term 'random' in this specifications and claims is intended to cover not only pure random, non-deterministically generated signals, but also pseudo-random, deterministic signals such as the output of a shift-register arrangement provided with a feedback circuit as used to generate pseudo-random binary signals or as scramblers, and chaotic signals.

In one aspect of the invention, a randomness factor is included in one or more modules. The stochastic operation may add amusement and recreation to the system or module operation since the operation will be surprising, non-repetitive and cannot be predicted. In one example, the time delay associated with **TIMER1 14** or with **TIMER2 16** (or both) is randomly set, as shown in slave module **560** shown in FIG. 56, based on slave module **30** shown in FIG. 3. A random signal generator **561a** is connected to **TIMER1 14** for controlling its associated time delay, and random signal generator **561b** is connected to **TIMER2 16** for controlling its associated time delay. In one example, the random generators **561a** or **561b** provide analog output voltage, where the voltage level affects the setting of the time delay. For example, the analog random signal generator **561a** outputs random voltage level in the range of 0 – 10VDC and the time delay control range of **TIMER1 14** is in 0 to 50 seconds range. Assuming linear control, 0 VDC output of the analog random signal generator **561a** will result in 0 seconds delay, 10 VDC output of the analog random signal generator **561a** will result in 50 seconds delay, and 5 VDC output of the analog random signal generator **561a** will result in 25 seconds delay. Alternatively, non-linear control may be used, such as exponential, logarithmic, parabolic or any other mathematical function.

An example of an analog random signal generator **571** is shown in FIG. 57, as part of a slave module **570**. The analog random signal generator **571** contains the signal generator **572** and a Sample & Hold (S/H) **573**. Preferably, the signal generator **572** produces a simple repetitive waveform, such as sinewave, sawtooth, square and triangular waveforms. Similarly an arbitrary waveform generator can be used, allowing the user to generate arbitrary waveforms. In the example shown in FIG. 57, the signal generator **572** produces a linear sawtooth waveform **574** having linear and monotonous slope, ranging between 0 to 10 VDC. Preferably, the repetition rate is substantially higher than the delays in a module or in a system. The signal generator **572** sawtooth wave form is output to the sample & Hold (S/H) **573**. Upon being triggered, the S/H **573** will hold the sampled analog voltage steady. This sampled voltage is connected to control the delay of **TIMER2 16**. The S/H **573** may be based on a capacitor to store

the analog voltage, or alternatively use digital storage with associated analog to digital conversion. The S/H 573 is triggered by the 'IN' signal 13, and thus will provide a different analog voltage to control the delay of TIMER2 16 each time an activation signal is propagated through the slave module 570. Since there is substantially no correlation between the received
5 activation signal and the signal generator 572 output, the sampled voltage level is substantially random. In an alternative embodiment, the analog random signal generator 571 is activated only once, either upon powering up or upon receiving the first activation signal, and the sampled voltage is retained thereafter (e.g., until next powering up).

An alternative embodiment of the analog random signal generator 581 is shown in FIG.
10 58 as part of a slave module 580. The analog random signal generator 581 contains a digital random number generator 582 (e.g., with an 8 bit digital output), connected to a digital to analog (D/A) converter 583 for converting to an analog voltage signal. The output of the analog random signal generator 581 is connected to control the delay of TIMER2 16, and can have 256 equally spaced different analog voltages. Similar to the above, the random analog voltage may be
15 generated once (e.g., upon power up) or repetitively each time an activation signal is received. Examples of an analog random signal generator 581 are disclosed in U.S. Patent 3,659,219 to Rueff entitled: "Discrete Random Voltage Generator", in U.S. Patent 4,578,649 to Shuppe entitled: "Random Voltage Source with Substantially uniform Distribution", and in U.S. Patent 6,147,552 to Sauer entitled: "Chopper-Stabilized Operational Amplifier including Integrated
20 Circuit with True Random Voltage Output", which are incorporated in its entirety for all purposes as if fully set forth herein.

In another example, the randomness is associated with the payload operation. In the example shown in FIG. 58a, a slave module 585 contains the analog random signal generator 581 connected via connector 31 to control the payload 25. For example, the payload 25 may
25 receive a random control voltage from the analog random signal generator 581 each time it is activated via 'GATE signal 22. The random voltage may be used to direct or regulate the behavior of the payload 25, such as setting any parameter thereof.

In one aspect of the invention, the randomness factor is affecting the actual activation of a payload, as shown in slave module 590 shown in FIG. 59, based on slave module 540 shown
30 in FIG. 54. The analog random voltage level output of the analog random signal generator 581 is compared with a reference voltage V1 output of a voltage reference 592. Typically, the voltage reference 592 sources a constant output voltage V1 irrespective of external changes such as

temperature, loading and power supply variations. Such voltage reference may be based on a zener diode or a bandgap voltage reference, such as the industry standard LM317. The voltage comparison is made at a voltage comparator 593, which may be based on an operation amplifier such as the industry standard LM339. In the example shown in FIG. 59, the voltage comparator 593 will output logic '1' when the voltage from the analog random signal generator 581 is larger than the voltage reference 592 output. This output is AND-ed by the 'AND' gate 594 with the 'GATE' signal 22, and the 'AND' gate 594 output is connected to control switch 541, which is connected to power the payload 531 from the power source 511. In this scheme, the payload 531 will be powered only if both the 'GATE' activation signal is active and the analog random signal is greater than V_1 . In the example wherein the analog random signal generator can uniformly provide any voltage in the 0 to 10VDC range, the probability of activating the payload 531 upon active 'GATE' signal is calculated to be $(10-V_1)/V_1$. For example, a V_1 of 2VDC will result in $0.8=80\%$ probability to activate the payload 531, while 7VDC will result in only $0.3=30\%$ probability to activate the payload 531. The voltage reference 592 output can be fixed, or can be changed by a user, thus allowing different probabilities to be chosen by the user.

While exemplified above with regard to using analog random signal generator, a digital random signal generator (known as random number generator) may be equally used, wherein numbers in binary form replaces the analog voltage value output. One approach to random number generation is based on using linear feedback shift registers. An example of random number generators is disclosed in U.S. Patent 7,124,157 to Ikake entitled: "Random Number Generator", in U.S. Patent 4,905,176 to Schulz entitled: "Random Number Generator Circuit", in U.S. Patent 4,853,884 to Brown *et al.* entitled: "Random Number Generator with Digital Feedback" and in U.S. Patent 7,145,933 to Szajnowski entitled: "Method and Apparatus for generating Random signals", which are incorporated in its entirety for all purposes as if fully set forth herein.

A digital equivalent of slave module 590 is shown as slave module 590a shown in FIG. 59a, wherein the digital random generator 582 (e.g., with an 8 bit output for producing a random digital value in the 0 – 255 range) is replacing the analog random signal generator 581, a register 596 stores a reference digital value, and the digital values are compared by a digital comparator 595 (e.g., CMOS 4063 or 4585).

In one aspect of the invention, multiple payloads are available to be randomly selected, as shown in slave module 597 described in part in FIG. 59b. An analog random signal generator

581 outputs a random voltage level VR (for example in the 0 – 10VDC range), compared with voltage reference 592a outputting voltage V1, with voltage reference 592b outputting voltage V2, and with voltage reference 592c outputting voltage V3, by the respective voltage comparators 593a, 593b and 593c. In this example, it is assumed that $V3 > V2 > V1$. In the case the random analog voltage VR is below V1 voltage level output by reference 592a ($VR < V1$), none of the comparators will be active, and thus will all output '0' logic level. The 'NOT' gate 596a will be thus active and will activate PAYLOAD1 25a. In the case of $V2 > VR > V1$, only the output of comparator 593a will be active. The 'AND' gate 594a will receive '1' from the comparator 593a and '1' as the output of the 'NOT' gate 596b, and thus will activate PAYLOAD2 25b, which will be the only payload to be activated. Similarly, the 'NOT' gate 596c and the 'AND' gate 594b will activate PAYLOAD3 25c in the case wherein $V3 > VR > V2$, and only PAYLOAD4 25d is activated in the case of $VR > V3$. Assuming uniform distribution of the analog random signal generator, the probabilities of activating a specific payload can be determined to be $V1/10$, $(V2-V1)/10$, $(V3-V2)/10$, $(10-V3)/10$ respectively for PAYLOAD1 25a, PAYLOAD2 25b, PAYLOAD3 25c and PAYLOAD4 25d. In the case of $V1=2.5VDC$, $V2=5.0VDC$, $V3=7.5VDC$ each of the payloads have the same probability of 25% to be activated. In the example of $V1=1.0VDC$, $V2=3.0VDC$, $V3=6.0VDC$, the activation probabilities are 10% for PAYLOAD1 25a, 20% for PAYLOAD2 25b, 30% for PAYLOAD3 25c and 40% for PAYLOAD4 25d.

20 The digital random signal generator 582 can be based on 'True Random Number Generation IC RPG100 / RPG100B' available from FDK Corporation and described in the data sheet 'Physical Random number generator RPG100.RPG100B' REV. 08 publication number HM-RAE106-0812, which is incorporated in its entirety for all purposes as if fully set forth herein. The digital random signal generator 582 can be hardware based, generating random numbers from a natural physical process or phenomenon, such as the thermal noise of semiconductor which has no periodicity. Typically, such hardware random number generators are based on microscopic phenomena such as thermal noise, shot noise, nuclear decaying radiation, photoelectric effect or other quantum phenomena, and typically contain a transducer to convert some aspect of the physical phenomenon to an electrical signal, an amplifier and other electronic to bring the output into a signal that can be converted into a digital representation by an analog to digital converter. In the case where digitized serial random number signals are generated, the output is converted to parallel, such as 8 bits data, with 256 values of random

numbers (values from 0 to 255). Alternatively, the digital random signal generator **582** can be software (or firmware) based, such as pseudo-random number generators. Such generators include a processor for executing software that includes an algorithm for generating numbers, which approximates the properties of random numbers.

5 The random signal generator (either analog or digital) may output a signal having uniform distribution, in which there is a substantially or pure equal probability of a signal falling between two defined limits, having no appearance outside these limits. However, Gaussian and other distribution may be equally used.

10 Mechanical aspects.

Pictorial perspective views **600** and **605** of a module **601** are shown in FIG. 60, depicting an enclosure housing the hardware of a module. While a slave module is shown in the example, the same principles can be applied to other types of modules such as master, splitter and loopback modules. A rectangular cross-section box with all sides flat (or substantially flat) is shown. Similarly, the box used may have (or be based on) a cross section (horizontal or vertical) that is square, elongated, round or oval; sloped or domed top surfaces, or non-vertical sides. Similarly, the shape of a cube or right rectangular prism can be used, or can be based upon. A horizontal or vertical circular cross section can be used (or be based upon) such as simple geometric shapes such as a cylinder, sphere, cone, pyramid and torus. Further, the modules in a system may all have (or based upon) the same enclosure shape, or alternatively each module (or a group of module) may use individual shape different from other modules in the system. The module shape and the shape of the pre-defined structure resulting after proper connection and assembly of the modules may be amorphous, abstract, organic, conceptual, virtual, irregular, regular, figurative, biomorphic, geometric, partially geometric, conventional, unconventional, symmetric and asymmetric. Similarly, in the case that the modules are assembled to form a picture or image, the design can be abstract, symbolic, conceptual, virtual, realistic, relating to fantasy or dreams, and representational. Further, the modules and the connecting and attaching scheme can be designed and fabricated to fit any age and ability. Furthermore, each of the modules can be fabricated of natural, man-made, composite and recycled material, such as paper, fabric, metal, wood, stone, rubber, foam, reciprocal and plastic. Further, a module may have any suitably rigid, flexible, bendable, multi-sided, electronic, digital, magnetic, stationary,

15
20
25
30

moving, mechanical, reciprocal, sensory-related section, including a mechanism such as activation point, button and switch.

In one example, the module **610** shown in FIG. 60 may correspond to any slave module (either 1-way or 2-way), such as the slave module **10** shown in FIG. 1, thus including two
5 connectors. The connector **602** corresponds to the upstream connector **19** of the slave module **10**, and the connector **603** corresponds to the downstream connector **21** of the slave module **10**. Connectors **602** and **603** are standard USB (universal Serial Bus) connectors, wherein connector **602** is a type 'A' plug and connector **603** is a mating type 'A' receptacle, as described in
10 'Universal serial Bus specification' revision 1.0 dated January 15, 1996, which is incorporated in its entirety for all purposes as if fully set forth herein. The USB type 'A' connectors are shaped as flattened rectangle, and includes four terminals. Using different types of connectors (e.g., plugs and receptacles) for each direction prevents the user from accidentally creating a faulty connection, allowing for the retaining of a proper activation signal direction. Other connector shapes such as square and round can be equally used. Preferably, keyed connectors are used,
15 such that they have some component which prevents mating except with specific connectors or in a specific orientation. Other types of standard connectors may be used. Preferably, standard data connectors (e.g., digital data connectors) or standard power connectors can be used.

The USB type 'A' connectors **602** and **603** includes four pins, two for power and two for data. Thus, these connectors may correspond to connectors **19** and **21** of the slave module **340**,
20 shown to connect to the two power carrying conductors (**341a** and **341b** upstream and **341c** and **341d** downstream) added to the two signal carrying conductors (**11a** and **11b** upstream and **11c** and **11d** downstream). Other standard connectors designed for systems wherein the wiring is carrying both power and data signal may be equally used, such as IEEE1394 standard connectors. In one example, an edge card connector is used. An edge card connector is
25 commonly a portion of a printed circuit consisting of traces leading to edge of the board, that are intended to plug into a matching socket, commonly referred to as slot. In another example proprietary connectors are used, thus preventing the potential user fault of connecting between non-mating systems, which may result in system damage or even a safety hazard.

Pictorial perspective top view **610** is shown in FIG. 61, depicting two slave modules
30 **601a** and **601b** respectively having an upstream connectors **602a** and **602b** and downstream connectors **603a** and **603b**. The slave modules **601a** and **601b** are oriented such that the

upstream plug **602b** of slave module **601b** is directed towards its mating slave module **601a** downstream receptacle **603b**, as also shown in the pictorial side view **615** shown in FIG. 61a.

Pictorial side view **610** shown in FIG. 62 depicts slave modules **601a** and **601b** inter-engaged by plugging the connector **602b** into the mating receptacle **601a**. The plugging provides
5 both the electrical connection as well as the mechanical attachment of the two modules to each other. The mechanical coupling may be interlocking or releasable. Similarly, the pictorial perspective top view **625** shown in FIG. 62a depicts three connected slave modules **601a**, **601b** and **601c**.

Pictorial perspective top views **630** and **635** of exemplary respective splitter modules
10 **631** and **632** are shown in FIGS. 63 and 63a. In one example, the splitter module **630** (or splitter module **635**) shown may correspond to any splitter module, such as the splitter module **110** shown in FIG. 11 or the splitter module **60** shown in FIG. 6. Similarly, the splitter module **636** (or splitter module **637**) shown in FIG. 63a may correspond to any splitter module, such as the splitter module **110** shown in FIG. 11 or the splitter module **60** shown in FIG. 6. The connector
15 **602** corresponds to the upstream connector **19** of the splitter module, and the connectors **603a**, **603b** and **603b** correspond to the respective downstream connectors **21a**, **21b** and **21c** of the splitter module.

A pictorial perspective top view of an exemplary master module **640** is shown in FIG. 64. A downstream connector **603** is shown, corresponding to the connector **21** shown, for
20 example, for the master module **140** in FIG. 14a or master module **145** shown in FIG. 14b, and the push-button switch **643** shown on the module **640** enclosure top corresponds to the switch **141** shown above as an inherent part of any master module. The master module **640** is powered by a battery **321**, housed in the battery compartment **641**. The battery may power feed only module **640** or part or all of the system as described above. Power switch **642** is an ON / OFF
25 switch for powering the module or the system, and LED **644** serves as a visual indicator to indicate that the module (and / or the system) is powered.

Pictorial perspective top views **648a** and **648b** of exemplary respective AC-powered master modules **645** are shown in FIGS. 64a and 64b. The AC power plug **647** corresponds to the AC plug **373** and the power cable **646** corresponds to the cable **374**, described above for any
30 AC-powered module.

Pictorial perspective top views **650a** and **650b** of an exemplary system are shown in FIGS. 65 and 65a. The system shown is using AC-powered master modules **645** connected to

three connected slave modules **601a**, **601b** and **601c** shown connected in view **625** in FIG. 62a. Pictorial perspective top views **660a** and **660b** of an exemplary system are shown in FIGS. 66 and 66a. The system shown is using AC-powered master modules **645** connected to a splitter module **631** shown in view **636** in FIG. 63a.

5 Pictorial perspective top views **670a** and **670b** of an exemplary system are shown in FIGS. 67 and 67a. The system shown is using AC-powered master modules **645** connected to a splitter module **632** having three downstream ports. Two slave modules **601g** and **601h** are connected in series to one of the ports. Two slave modules **601e** and **601f** are connected in series to another one of the ports. The third port connects to the slave modules **601a** and **601b**, and then to a splitter module **631**. The splitter module **631** has three ports, one connected to a slave module **601c** and another connected to the slave module **601d**.

A pictorial perspective top views **681a** and **681b** of an exemplary master / splitter module **680** are respectively shown in FIGS. 68 and 68a, corresponding for example to the master / splitter module **450** shown in FIG. 45. The master module **680** includes the elements described for the master module **645** above, added to the splitter functionality providing for three downstream connectors **603a**, **603b** and **603c**.

A pictorial perspective top view **695** of an exemplary master / splitter module **690** is shown in FIG. 69, corresponding for example to the master / splitter module **450** shown in FIG. 45. The master / splitter module **690** enclosure is a triangle shaped box, having a downstream connection in each of its side planes, such as downstream connectors **603a**, **603b** and **603c** (not shown in the figure). A pictorial perspective top view of an exemplary system **700** is shown in FIG. 70, showing slave modules **601a**, **601b** and **601c** connected to one downstream connection, slave modules **601d**, **601e** and **601f** connected to a second downstream connection, and slave modules **601g**, **601h** and **601i** connected to the third downstream connection.

25 Similarly, a pictorial perspective top view **715** of an exemplary master / splitter module **710** is shown in FIG. 71, corresponding for example to the master / splitter module **450** shown in FIG. 45. The master / splitter module **710** enclosure is a square shaped box, having a downstream connection in each of its side planes, such as downstream connectors **603a**, **603b**, **603c** and **603d** (last two not shown in the figure). A pictorial perspective top view of an exemplary system **720** is shown in FIG. 72, showing slave modules **601a**, **601b** and **601c** connected to one downstream connection, slave modules **601d**, **601e** and **601f** connected to a second downstream connection, slave modules **601g**, **601h** and **601i** connected to the third

downstream connection, and slave modules **601j**, **601k** and **601l** connected to the fourth downstream connection.

In another similarly example, a pictorial perspective top view **735** of an exemplary master / splitter module **730** is shown in FIG. 73, corresponding for example to the master / splitter module **450** shown in FIG. 45. The master / splitter module **730** enclosure is a circle shaped box, having five downstream connections evenly spread around in perimeter, such as downstream connectors **603a**, **603b**, **603c**, **603d** and **603e** (last two not shown in the figure). A pictorial perspective top view of an exemplary system **740** is shown in FIG. 74, showing slave modules **601a**, **601b** and **601c** connected to one downstream connection, slave modules **601d**, **601e** and **601f** connected to a second downstream connection, slave modules **601g**, **601h** and **601i** connected to the third downstream connection, slave modules **601j**, **601k** and **601l** connected to the fourth downstream connection, and slave modules **601m**, **601n** and **601o** connected to the fifth downstream connection.

The shape of a single module, few modules or of a system formed by connected modules may be according to a theme. The theme may provide for amusement, education, entertainment and a better user experience. In one example, the theme relates to animals, such as ducks. Slave modules **751a** and **751b**, shaped as ducklings, are shown in views **755** and **756** in the respective FIGS. 75 and 75a. The 'duckling'- shaped slave modules **751a** and **751b** contain respectively upstream connectors **602a** and **602b** and downstream connectors **603a** and **603b**. FIG. 76 shows a master module **750** that is shaped as a bigger ducks thus mimicking the 'mother-duck', having a downstream connector **603**. System **760** shown in FIG. 76 contains the master module ('mother-duck') **750** and three connected slave modules ('ducklings') **751a**, **751b** and **751c**.

In one example, the theme relates to man-made objects, such as transportation. A master module **770** shaped as a locomotive and slave modules **771a** and **771b** shaped as train cars are shown in views **775** and **776** in the FIGS. 77 and 77a. The train car shaped slave modules **771a** and **771b** contain respectively upstream connectors **602a** and **602b** and downstream connectors **603a** and **603b**. The master module **770** has a mating downstream connector **603**. A train shaped system **780** shown in FIG. 78 contains the master module ('locomotive') **770** and two connected slave modules ('train cars') **771a** and **771b**. Similarly, train shaped system **781** shown in FIG. 78a contains the master module (locomotive) **770** and three connected slave modules ('train cars') **771a**, **771b** and **771c**.

In one example, the LEGO® strips are used for connecting the modules to each other, providing both electrical connection and mechanical affixing. A slave module 790 using LEGO® strips is shown in FIG. 79. View 791a is a perspective view, view 791b is a side view, view 791c is a top view and view 791d is a bottom view of the slave module 790. The upstream connection uses the LEGO® strip 792, which is lower than the downstream LEGO® strip 793. In FIG. 80, view 800a is a side view and view 800b is a top view of the two connected modules 790a and 790b. A perspective top view 800c and a perspective top view 800d of the two connected modules 790a and 790b are shown in FIG. 80a. Similarly, three connected slave modules 790a, 790b and 790c are shown in view 801 in FIG. 80b.

An AC-powered master / splitter module 810 is shown in view 811 in FIG. 81. The master / splitter module 810 is based on the master / splitter module 710 shown in FIG. 71, where the USB connectors are replaced with the LEGO® strips 792a, 792b, 792c and 792d. The master / splitter module 810 can be connected to a plurality of slave modules 790a-1 as shown in view 820 in FIG. 82, and can be connected in a circle as shown in view 830 in FIG. 83.

A module may include multiple payloads, as exemplified in slave module 840 shown in FIG. 84. The slave module 840 includes integrated lamp 841 (which can be an LED), and two sounders (or any other sound emitting devices such as speakers) having their sounds passing through holes screens 842a and 842b. The lamp 841 can be used as a payload (and thus controlled or activated in response to the activation signal) or can be used only for notifying power availability in the module, and thus illuminated as long as power is available in the module. The module 840 further includes a rotary dial 843 allowing the user to manually select a value in the range of 0 to 10 seconds. This knob may be corresponding to control the potentiometer 32 shown in slave module 30 shown in FIG. 3, introducing a time delay selectable in the 0-10 seconds range. A similar knob may be used to continuously control any other parameter in a module, such as the manual setting of potentiometer 592 used in the module 195 shown in FIG. 19a. The module 840 further includes a knob 844 allowing the user to select between multiple discrete values. The user can manually set the switch to select from 0, 10, 20, 30, 40 and 50 seconds. This knob may control the multiple throws switch 33 shown in slave module 30 shown in FIG. 3, introducing a time delay selectable in the 0-50 seconds range with 10 seconds steps. Similar knob and related means may be used to control any other parameter in a module by selecting from multiple discrete values.

While the invention has been exemplified above with regard to two-dimensional (2-D) structure, wherein the modules are all connected to form a substantially planar structure, it will be appreciated that the invention equally applies to three-dimensional structure (3-D) wherein the system formed by the modules connections is a three-dimensional shape. For example, the system 700 shown in FIG. 70 involves a master module 690 connected to three branches, all connected and attached as a single layer over a horizontal plane. Similar 3-D systems 850 and 860 are respectively shown in FIGS. 85 and 86. In system 850 the master module 690 is substituted with a master module 851, having a set of downstream connectors 603a, 603b and 603c allowing for horizontal connections similar to the system 700. Further, the master module 851 includes three downstream connectors 603d, 603e and 603f, allowing for connecting slave modules vertically to the master module 851 plane. The three branches (each including three slave modules) are shown connected in parallel to each other, and vertically to the horizontal plane used in system 700. In system 860 the three branches are connected horizontally as in system 700 shown in FIG. 70. Further, the slave module 601f connected in the end of the branch including the slave modules 601d and 601e is replaced with the slave module 601f1, having two downstream connections 603h and 603g. The latter downstream connection 603g is vertical to the downstream connection 603h, allowing for connecting modules vertical to the slave module 601f1 plane. Similarly, the slave modules 601c and 601i are respectively substituted with slave modules 601c1 and 601i1, having a vertical downstream port. The vertical downstream connector in slave module 601c1 connects to a branch including slave modules 601l, 601m and 601n, which are vertical to the horizontal plane. Similarly, the vertical downstream connector in slave module 601i1 connects to a branch including slave modules 601i, 601j and 601k, which are vertical to the horizontal plane. Connection allowing connection angles other than 90 degrees can equally be used, allowing for forming various 3-D structures.

Examples of engaging parts to form a 3-D structure are disclosed in U.S. Patent Application 2009/0127785 to Kishon entitled: "Puzzle", U.S. Patent 6,692,001 to Romano entitled: "Multi-Layered Decorative Puzzle Apparatus", U.S. Patent 6,237,914 to Saltanov *et al.* entitled: "Multi dimensional Puzzle", U.S. Patent 2,493,697 to Raczkowski entitled: "Profile Building Puzzle", U.S. Patent Application 2009/0127785 to Kishon entitled: "Puzzle" and U.S. Patent 4,874,176 to Auerbach entitled: "Three-Dimensional Puzzle", which are all incorporated in their entirety for all purposes as if fully set forth herein.

In one embodiment, a semiconductor light source such as a Light-Emitting-Diode (LED) is used as the payload, having small form factor and high efficiency. However, any type of visible electric light emitter such as a flashlight, a liquid crystal display, an incandescent lamp and compact fluorescent lamps can be used.

5 Referring to FIG. 87, a system 870 is shown, based on system 850 shown in FIG. 85. System 870 is shown as a toy modeling a traffic light, such as is commonly used for signaling to control traffic flow, such as positioned at road intersections or pedestrian crossings. System 870 includes three branches, each modeling three traffic lights. One traffic light includes slave modules 871d, 871e and 871f, respectively including lamps 872d, 872e and 872f (serving as
10 payloads). For example, the lamps 872f, 872e and 872d, respectively, which can illuminate in red, amber and green colors, are illuminated sequentially, simulating a real-life traffic light. Similarly, the other traffic light includes slave modules 871a, 871b and 871c, respectively including lamps 872a, 872b and 872c. Another traffic light includes slave modules 871g, 871h and 871i. Similarly, system 870 can be used to actually control a real-life traffic light, or any
15 other system wherein sequential lighting of lamps is required.

In one aspect of the invention, the light source in a module is used to illuminate a symbol, such as a number, a letter or a word. Such systems may be used as part of signage systems, providing visual graphics for displaying information. A user may select from a variety of modules each having a different symbol, to form a custom-made signage based on the
20 selected modules and the way they are interconnected. An example of a signage system 880 is shown in FIG. 88, based on system 650a shown in FIG. 65. The master module 710 is connected to four slave modules 881a, 881b, 881c and 881d, respectively displaying the letters 'A', 'B', 'C', and 'D' when the internal light source (serving as a payload) is illuminating. Hence, the word ABCD is shown, wherein one, few or all the letters are illuminated based on the payload
25 activation logic within the modules. In the example of system 885 shown in FIG. 89, the name 'JOHN' is formed by the four slave modules 881e, 881f, 881g and 881h, respectively associated with the letters 'J', 'O', 'H' and 'N'. The invention can be similarly used to display word messages in a variety of fashions and formats, such as scrolling, static, bold and flashing. The modules can further display visual display material beyond words and characters, such as
30 arrows, symbols, ASCII and non-ASCII characters, still images such as pictures and video. The payload may include an image or video display which may be alpha-numeric only or analog

video display, and may use technologies such as LCD (Liquid Crystal Display), FED (Field Emission Display, or CRT (Cathode Ray Tube).

Multiple payloads.

5 While some of the examples above described a single payload associated with a module, in one aspect of the invention a plurality of payloads may be controlled or activated by a single module. An example of such a slave module **900** is shown as part of a system **905** shown in FIG. 90, based on slave module **540** shown in FIG. 54. Three payloads, designated as PAYLOAD1 **531a**, PAYLOAD **531b** and PAYLOAD3 **531c** are shown, powered from the same power source **511**. The payloads may be independent or separated, or alternatively part of the same
10 payload system. For example, each switch may power or activate a distinct function within the payload system. Further, each payload may be powered from a separate power source. While three payloads are described, any number of payloads may be equally used. The PAYLOAD1 **531a** is activated by switch **541a**, PAYLOAD2 **531b** is activated by switch **541b** and
15 PAYLOAD3 **531c** is activated by switch **541c**. The switches connect to the respective payloads and the power source (or power sources) via connector **901**. Similarly, the payloads (and / or the power source) may be enclosed within the module, and thus obviating the need for the connector **901**. One, few or all the payloads may be activated by the TRIG signal as described above. In one aspect, each payload is associated with a dedicated timer in the slave module **900**, and thus
20 activated in different delays after the activation signal is received. In another aspect, only one payload out of the three is activated in response to receiving of an activation signal, based on a preset logic. In one example, the payload to be activated is randomly selected as described with regard to module **595** shown in FIG. 59b. In another example, a different payload is sequentially and cyclically selected each time in response to receiving of an activation signal. For example,
25 the first activation signal received will activate PAYLOAD1 **531a**, the next will activate PAYLOAD2 **531b**, the next will activate PAYLOAD3 **531c**, to be followed again by PAYLOAD1 **531a**. Further, a different payload may be selected based on the direction of the activation signal propagation, as described with regard to slave module **200** shown in FIG. 20. Further, any logic combining few of the above mechanisms may be used.

30 While some of the examples above described a dedicated payload (or payloads) associated with each module, in one aspect of the invention a payload (or a plurality of payloads) may be controlled or activated by two or more modules. An example of such a system

910 is shown in FIG. 91, exemplified by using two slave modules 900a and 900b, each as shown in FIG. 90. The three payloads, designated as PAYLOAD1 531a, PAYLOAD2 531b and PAYLOAD3 531c are shown, powered from the same power source 511. The payloads may be independent or separated, or alternatively part of the same system. Further, each payload may be
5 powered from a separate power source. While three payloads are described, any number of payloads may be equally used. The PAYLOAD1 531a can be activated by switch 541a in slave module 900a or by switch 541d in slave module 900b. Similarly, PAYLOAD2 531b can be activated by switch 541b in slave module 900a or by switch 541e in slave module 900b, and
10 PAYLOAD3 531c can be activated by switch 541c in slave module 900a or by switch 541f in slave module 900b. The slave module 900a connects to the payloads via connector 901a and the slave module 900b connects to the payloads via connector 901b. The logic for activating the payloads may be identical in two or all the modules connected in the system. The power source 511 and the payloads 531a, 531b and 531c may be integrated and housed in one of the modules. In one embodiment, the payloads 531 and / or the power source 511 are housed within the
15 master module housing.

The wiring infrastructure relating to connecting to the payloads (and to the power source) is shown in FIG. 91 to be distinct from the wiring used for connecting the modules to form the network. Alternatively, the connection to the payload (or payloads) may use the modules as the part of the connections infrastructure, exemplified in system 925 shown in FIG. 92.
20 While the power source 511 and the payloads 531 are either located externally to the system or part of one or more modules in the system (e.g., in a master module), each module further contains two connectors for passing the payloads activation wiring in the system. The slave module 920a is shown to have a connector 922b for connecting the payloads control wires to a former module and a connector 921b for connecting the payloads control wires to a next
25 module. Similarly, the slave module 920b is shown to have a connector 922a for connecting the payloads control wires to a former module and a connector 921a for connecting the payloads control wires to a next module. The system 925 is formed by connecting the payloads control wires between connected modules, such as connecting connector 921b of module 920a to connector 922a of module 920b. The payloads 531 and the power source 511 are connected to
30 the payloads control wires via connector 921a of module 920b, and thus each module connected in the system has access to the payload control wires for activating the various payloads. Preferably, the connectors used to connect the activation signal in the system such as connector

19 f or upstream connection and connector 21 f or downstream connection are respectively combined with connector 922 and connector 921, allowing for easy system forming by using a single pair of connectors for connecting between a pair of modules.

While the example in FIG. 91 above described controls a payload by powering it 'on' or 'off' or activating a function within the payload (or payloads), in one aspect of the invention a payload (or a plurality of payloads) may use analog control by a continuously variable signal by two or more modules. An example of such a system 935 is shown in FIG. 93, exemplified by using two slave modules 930a and 930b. The system 935 includes a payload 932 powered by a power source 511. The payload 932 is continuously controlled by a resistance connected to wires 939a and 939b. In response to an activation signal, the slave module 930a connects the resistor 34a connected to switch 541a to the control wires 939a and 939b via connector 931a. Similarly, the slave module 930b connects the resistor 34b connected to switch 541b to the control wires 939a and 939b via connector 931b. The resistance values of resistors 34a and 34b may be different, hence the payload 932 responds differently to each activation cycle (of each connected module) based on the connected resistor value. The control wires 939a and 939b may be connected as part of the system wiring as exemplified in system 945 shown in FIG. 94, wherein slave modules 940a and 940b respectively use upstream connectors 942a and 942b and respective downstream connectors 941a and 941b to carry the control wires throughout the system. Further, while the example in FIG. 93 above described control of a payload by means of resistance, any other analog signal may be used. For example, system 936 shown in FIG. 93a discloses an analog voltage controlled payload 938 controlled by the analog voltage in wire 939c. The slave modules 937a and 937b respectively contain a voltage reference 592a and 592b, connected via the respective switch 541a and 541b and via the respective connectors 931a and 931b to the analog voltage control wire 939c. Hence, upon activation of one of the slave modules, the reference voltage is switched to the control line 939c to control the payload 938.

The payload 25 may include an annunciator, defined as any visual or audible signaling device, or any other device that indicates a status to the person. In one embodiment according to the invention, the annunciator is a visual signaling device. In one example, the device illuminates a visible light, such as a Light-Emitting-Diode (LED) 841 shown as part of module 840 shown in FIG. 84. However, any type of visible electric light emitter such as a flashlight, an incandescent lamp and compact fluorescent lamps can be used. Multiple light emitters may be used, and the illumination may be steady, blinking or flashing. Further, the illumination can be

directed for lighting a surface, such as a surface including an image or a picture. Further, a single single-state visual indicator may be used to provide multiple indications, for example by using different colors (of the same visual indicator), different intensity levels, variable duty-cycle and so forth. In one example, the invention is used for electrically illuminated a Christmas tree or other decorative or festive lighting. Such Christmas lights (also called twinkle lights, holiday lights, and mini lights in the US and fairy lights in the UK) are commonly based on strands of electric lights used to decorate homes, public/commercial buildings and Christmas trees, and come in a dazzling array of configurations and colors. Further, the visual signaling may be associated with the module or system theme or shape. Such conceptual relationship may include, for example, the light emitters' brightness, appearance, location, type, color and steadiness that are influenced by the module or system theme, providing a surprising and illustrative result.

In one example, the system is used for sound or music generation. For example, the modules may serve as a construction toy block as part of a music toy instrument. An example of a music generation system is shown in FIG. 95, showing a system 950. The system 950 is based on system 945 shown in FIG. 94, wherein the payload 932 is exemplified by a resistor controlled music generator 951. The generator 951 includes sounding means controlled by the resistance connected. For example, the resistance may control the tone to be heard by the generator 951.

A pictorial view 960 of music-associated slave modules 961a, 961b, 961c and 961d is shown in FIG. 96. The music-associated slave modules 961a, 961b, 961c and 961d respectively include upstream connectors 602a, 602b, 602c and 602d and downstream connectors 603a, 603b, 603c and 603d. Each of the slave modules 961a, 961b, 961c and 961d is associated with a musical tune (or a tone) or any other single sound, which is played upon activation of the music-associated slave module. A timbre sound element may also be used to select the timbre or other tonal characteristics of the output sounds. The sounding generation means may be included in the slave module, or alternatively the music generator is external to the modules, and is only controlled by the modules, as exemplified in any of the systems above such as in system 950 shown in FIG. 95. The sign of the musical tune to be played by each module is printed, engraved or labeled on the module external surface. Upon connecting the music-associated slave-modules, the system plays the musical tunes in the sequence of connecting the modules, thus sounding a melody or song. An example of such a system 965 is shown in FIG. 96a, pictorially illustrating the music-associated slave modules 961a, 961b, 961c and 961d shown in FIG. 96 connected to form a system. Upon receiving an activating signal in connector 602a of the slave module 961a,

the music tone associated with the slave module **961a** will be sounded, sequentially followed by the musical notes associated with the slave modules **961b**, **961c** and **961d**. Assuming two-way activation signal propagation is supported, in the case of receiving an activating signal in connector **603d** of the slave module **961d**, the music tune associated with the slave module **961d** will be sounded, sequentially followed by the musical notes associated with the slave modules **961c**, **961b** and **961a**, thus playing the musical tunes in reverse order, adding amusement and surprise to the user. Further, the sound produced by a module can emulate the sounds of a conventional acoustical music instruments, such as a piano, tuba, harp, violin, flute, guitar and so forth. In one example, a module can be shaped as a miniature of the music instrument associated with its sound.

In order to ease the association of the music-associated slave modules with the musical tune, the modules may be identified by the signage or marking on the modules, which may be the actual musical notation (identified as a note in a musical staff), tune name, a number, a symbol, a letter, a color or any other simpler association. For example, if the modules are numbered such as 'DO'=1, 'RE'=2, 'MI'=3 etc., the user can be instructed to build the module according to a specific order such as 1-4-4-5-2-3-7, where upon activation the notes are played in the connection sequence, corresponding to the notes in a set song, a melody or any other audible theme. View **970** in FIG. 97 shows three music-associated slave modules **971a**, **971b** and **971c**, respectively including upstream connectors **602a**, **602b** and **602c** and downstream connectors **603a**, **603b** and **603c** (not shown). View **975** in FIG. 97a shows eight such music-associated slave modules **971a**, **971b**, **971c**, **971d**, **971e**, **971f**, **971g** and **971h** (slave module **971h** may be identical to slave module **971a** associated with the musical note 'DO') oriented before their connection to form system **811** shown in FIG. 97b. Upon activation, a full octave will be played from 'DO' to the next 'DO'.

In another example, the music associated payload includes sound or music generation by mechanical means. System **980** in FIG. 98 shows a pictorial view of a slave module **982** including upstream connector **602** and downstream connector **603**, connected to a payload which is a bear-shaped toy **981** with drum sticks **986a** and **986b** for beating the drum **985**. The bear toy **981** is connected via cable **983** and connector **984** to the slave module **982**. Upon activating of the payload, the drum beating is activated for providing amusement. The toy bear **981** may be powered from the slave module **982** over the cable **983** or alternatively to be

independently powered by a battery or external power source. The modules may be alternatively shaped as music instruments or music tunes, or in general according to any music theme.

While FIG. 98 shows the toy bear **981** as a payload external to the slave module **982**, the functionalities of the payload and the slave module **982** can be integrated into a single device, such as the bear-shaped toy unit **987** shown in view **985** in FIG. 98a. The unit **987** includes the slave module functionality, and thus has two connectors **603a** and **603b** located on the bear-shape back for connecting to other modules. Alternatively, the connectors may be located in other places on the unit. FIG. 98b shows a rear view **988a** and perspective rear views **988b** and **988c** of a toy bear-shaped module **988**. The left leg of the module includes the upstream connector **602** allowing for upstream connecting to other modules, such as to the music-associated slave modules **971c**, **971b** and **971a** shown in system **989** in FIG. 98c. The right leg of the module includes the downstream connector **603** (not shown) allowing for downstream connecting to other modules, such as to music-associated slave modules **971d**, **971e** and **971f** shown in system **989** in FIG. 98c. Such a system includes both synthetic music generation in slave modules **971a-f** played together with mechanical sound generation in module **988**. In another example, the payload includes sounding by means of actual cymbals **992a** and **992b**, being part of a toy bear **991** as shown in system **990** in FIG. 99. Similar to view **985**, the toy bear-shaped housing **993** may include the slave module functionality as shown in view **995** in FIG. 99a.

In one embodiment according to the invention, the annunciator is an audible signaling device, emitting audible sounds that can be heard (having frequency components in the 20-20,000 Hz band). In one example, the device is a buzzer (or beeper), a chime, a whistler or a ringer. Buzzers are known in the art and are either electromechanical or ceramic-based piezoelectric sounders which make a high-pitch noise. The sounder may emit a single or multiple tones, and can be in continuous or intermittent operation. In another example, the sounder simulates the voice of a human being or generates music, typically by using an electronic circuit having a memory for storing the sounds (e.g., music, song, voice message, etc.), a digital to analog converter to reconstruct the electrical representation of the sound and driver for driving a loudspeaker, which is an electro-acoustical transducer that converts an electrical signal to sound. An example of a greeting card providing music and mechanical movement is disclosed in U.S. Patent Application 2007/0256337 to Segan entitled: "User

Interactive Greeting Card”, which is incorporated in its entirety for all purposes as if fully set forth herein.

The audible signaling may be associated with the module or the system theme or shape. For example, the sounder appearance, as well as the sound volume, type and steadiness may be influenced by the theme, providing a surprising and illustrative result. For example, the shape may include household appliance associated with a specific sound such as the ringing of a telephone set, the buzzer of the entrance bell or the bell sound or a microwave oven. Other examples are a horn of an automobile, the rattling ‘chik-chuk’ sound of a train and a siren of an emergency vehicle such as a police car, an ambulance or a fire-engine truck. In such a case, the sounder will preferably generate a sound which simulates or is similar to the real sound associated with the theme, e.g., a telephone ringing for a telephone set and a siren sound for a police car. In another example, the puzzle picture (or shape) include an animal, and the sounder produces the characteristic sound of the animal, such as barking for a dog, yowling for a cat and twittering of a bird. Such system can be used for audio-visual learning for teaching small children by association of an object such as a musical instruments or an animal which produces a distinctive sound with the viewable indicia associated therewith.

In one example the sound generated is music or song. The elements of the music such as pitch (which governs melody and harmony), rhythm (and its associated concepts tempo, meter, and articulation), dynamics, and the sonic qualities of timbre and texture, may be associated with the shape theme. For example, if a musical instrument shown in the picture, the music generated by that instrument will be played, e.g., drumming sound of drums and playing of a flute or guitar.

In one example according to the invention, a song or a melody of a song are played by the annunciator. Preferably, the song (or its melody) is associated with a module or system shape or theme. For example, the theme can be related to the calendar such as season or a holiday. For example, a theme of winter season showing rain or snow will be associated with a song about rain (such as “rain, rain”) or about snowing, while a spring related theme may play the ‘Spring Song’. Similarly, a theme of Christmas may be associated with Christmas related songs such as ‘Santa Claus is coming to town’ or ‘Jingle Bells’. In another example, the theme includes an animal, and the song played is corresponding to the specific animal, such as the song ‘Mary had a Little Lamb’ for a theme showing a lamb, the song ‘swan Lake’ for a swan or ‘B-I-N-G-O’ for a dog theme. In the case that the theme relates to a specific location or a specific geography

location or region (such as a continent, island, river, region, famous places, country, city etc.), a corresponding song may be played. For example, if the theme includes a map of a country (e.g., United-States) or the puzzle is shaped as the map of a country or a continent, a popular song related to the country or its national anthem (e.g., "The Star-Spangled Banner" for the US) may be played, thus helping in improving children learning about the world and geography. Some examples of geography related puzzles are disclosed in U.S. Patent 6,425,581 to Barrett entitled: "Map Puzzle Game" and U.S. Patent Application 2008/0224396 to Cocis *et al.* entitled: "Jigsaw Educational Game", which are all incorporated in their entirety for all purposes as if fully set forth herein.

Other famous places may include the song 'London Bridge' for a theme of London or a bridge. In the case the theme relates to a specific activity (e.g., birthday party), the song or melody may correspond to the occasion (e.g., 'Happy Birthday' song). Similarly, a theme relating to household appliance (e.g. telephone) will be associated with a relevant related song (e.g. 'Mr. Telephone Man'). In the case the image (or shape) relates to a television or cinema character (e.g., 'Bob Sponge' and 'Spiderman'), the song may be associated with the respective movie or television show opening melody or song. The same goes for transportation, space and other common children or adult themes.

In one example according to the invention, a human voice talking is played by the annunciator. The sound may be a syllable, a word, a phrase, a sentence, a short story or a long story, and can be based on speech synthesis or pre-recorded. Male or female voice can be used, being young or old. The text sounded is preferably associated with the shape or theme. For example, a name of the theme of the system can be heard, such as 'dog', 'truck' and 'mountain'. Further, the story heard may be related to the theme, or can describe the items shown in the image. In another example, general encouraging, thanking or praising phrases can be made such as 'good work', 'excellent' and 'congratulations'. Further, a greeting such as 'Merry Christmas' can be played for a Christmas related theme. In another example, each module plays part of an audio chapter such as a song, melody, story or text. Each module plays part of the audio chapter such as a work, tune, syllable or word, such that when properly connected, the whole audio chapter is played. Such 'audio puzzle' provides amusement and can be played by children, trying to find the correct order of modules assembly to be rewarded by the complete and properly played audio part.

A tone, voice, melody or song sounder typically contains a memory storing a digital representation of the pre-recorder or synthesized voice or music, a digital to analog (D/A) converter for creating an analog signal, a speaker and a driver for feeding the speaker. An annunciator, which includes a sounder, may be based on Holtek HT3834 CMOS VLSI Integrated Circuit (IC) named '36 Melody Music Generator' available from Holtek Semiconductor Inc., headquartered in Hsinchu, Taiwan, and described with application circuits in a data sheet Rev. 1.00 dated November 2, 2006, which is incorporated in their entirety for all purposes as if fully set forth herein. Similarly, the sounder may be based on EPSON 7910 series 'Multi-Melody IC' available from Seiko-Epson Corporation, Electronic Devices Marketing Division located in Tokyo, Japan, and described with application circuits in a data sheet PF226-04 dated 1998, which is incorporated in its entirety for all purposes as if fully set forth herein. A human voice synthesizer may be based on Magnevation SpeakJet chip available from Magnevation LLC and described in 'Natural Speech & Complex Sound Synthesizer' described in User's Manual Revision 1.0 July 27, 2004, which is incorporated in its entirety for all purposes as if fully set forth herein. A general audio controller may be based on OPTi 82C931 'Plug and Play Integrated Audio Controller' described in Data Book 912-3000-035 Revision: 2.1 published on August 1, 1997, which is incorporated in its entirety for all purposes as if fully set forth herein. Similarly, a music synthesizer may be based on YMF721 OPL4-ML2 FM + Wavetable Synthesizer LSI available from Yamaha Corporation described in YMF721 Catalog No. LSI-4MF721A20, which is incorporated in its entirety for all purposes as if fully set forth herein.

Some examples of prior-art toys that include generation of an audio signal such as music are disclosed in U.S. Patent 4,496,149 to Schwartzberg entitled: "Game Apparatus Utilizing Controllable Audio Signals", in U.S. Patent 4,516,260 to Breedlove *et al.* entitled: "Electronic Learning Aid or Game having Synthesized Speech", in U.S. Patent 7,414,186 to Scarpa *et al.* entitled: "System and Method for Teaching Musical Notes", in U.S. Patent 4,968,255 to Lee *et al.* entitled: "Electronic Instructional Apparatus", in U.S. Patent 4,248,123 to Bunger *et al.* entitled: "Electronic Piano" and in U.S. Patent 4,796,891 to Milner entitled: "Musical Puzzle Using Sliding Tiles", and toys with means for synthesizing human voice are disclosed in U.S. Patent 6,527,611 to Cummings entitled: "Place and Find Toy", and in U.S. Patent 4,840,602 to Rose entitled: "Talking Doll Responsive to External Signal", which are all incorporated in their entirety for all purposes as if fully set forth herein. A music toy kit combining music toy

instrument with a set of construction toy blocks is disclosed in U.S. Patent 6,132,281 to Klitsner *et al.* entitled: "Music Toy Kit" and in U.S. Patent 5,349,129 to Wisniewski *et al.* entitled: "Electronic Sound Generating Toy", which are incorporated in their entirety for all purposes as if fully set forth herein.

5 In one example according to the invention, the annunciator is a smoke generation unit, mimicking the generation of a real life smoking such as a smoke of a real train. Preferably, such implementation may relate to a theme of a train having a smoking locomotive or a fire. Some examples of smoke generation units are disclosed in U.S. Patent 6,280,278 to Wells entitled: "Smoke Generation System for Model Top Applications" and U.S. Patent 7,297,045 to Pierson
10 *et al.* entitled: "Smart Smoke Unit", which are all incorporated in their entirety for all purposes as if fully set forth herein.

Wireless.

The payload **25** may be external to the module, such as module **30** shown in FIG. 3
15 above. The module **30** includes a connector **31** and a cable or wiring for connecting the control 'GATE' 22 signal to the payload **25**. Alternatively, the payload **25** may be controlled via the air without using any conductive connection. For example, wireless communication over the air may be used to convey the control information from the module to the payload **25**. In this embodiment, the module further includes a wireless transceiver (or transmitter) coupled to the
20 control or activation signal, for transmitting this information over the air to the payload, to be received by a mating wireless transceiver associated with the payload **25**. The communication may be based on Wireless Personal Area Network (WPAN). In one example, ZWave or ZigBee standard based on IEEE 802.15.4-2003 may be used for the wireless communication and the wireless transceiver.

25 Non-limiting other examples of WPAN systems include Bluetooth, which according to IEEE 802.15.1 standard, for example, operates over license-free ISM band at 2.45 GHz and Ultra-Wide-band (UWB), which according to the IEEE 802.15.3 standard, for example, uses a wavelet. Other wireless technologies may be used, using either licensed frequency bands or unlicensed frequency band, such as the frequency bands utilized in the Industrial, scientific and
30 Medical (ISM) frequency spectrum. In the US, three of the bands within the ISM spectrum are the A band, 902-928 MHz; the B band, 2.4-2.484 GHz (referred to as 2.4 GHz); and the C band, 5.725-5.875 GHz (referred to as 5 GHz).

The invention equally applies to any other wireless based technology, using either single or multi carrier signals for implementing either spread spectrum or narrowband, using either unlicensed bands (such as ISM) or licensed spectrum. Such technology may be part of the IEEE 802.11 (such as IEEE 802.11a/b, IEEE 802.11g or IEEE 802.11n), ETSI HiperLAN/2 or any
5 technology used for WLAN, home networking or PAN (Personal Area Network). One non-limiting example is using IEEE 802.11b based on CCK (Complementary Code Keying). Other non-limiting examples are BlueTooth™, UWB and HomeRF™. Furthermore, WAN (Wide Area Network) and other wireless technologies may be used, such as cellular technologies (e.g., GSM, GPRS, 2.5G, 3G, UMTS, DCS, PCS and CDMA) and Local Loop oriented technologies
10 (WLL – Wireless Local Loop) such as WiMax, WCDMA and other Fixed Wireless technologies, including microwave based technologies. Similarly, satellite based technologies and components may be equally used. While the technologies mentioned above are all standards-based, proprietary and non-standards technologies may be equally used according to present invention. Furthermore, the invention may equally apply to using technologies and
15 components used in non-radio based through-the-air wireless systems such as light (e.g., infrared) or audio (e.g., ultrasonic) based communication systems.

It will be appreciated to those skilled in the art that the modules may be made of paper (card-board), wood (stain sheets), synthetic resins (soft and hard material), synthetic material, stone materials, woven or non-woven fabrics, cork, metals, leather, glass, plastic, cast metal, cast
20 plaster, case stone, papier-mache or other materials and may have a design imprinted on its exposed surface or surfaces or may have a surface sheet of imprinted design applied to its exposed surface or surfaces. The modules may be individually molded pieces, assembled of separate pieces fitted and adhered together, or cut from a precast larger piece. Further, the modules may be solid or hollow.

25 The module electronic circuits (e.g., integrated circuit (IC) and related devices) may be based on a discrete logic or an integrated device, such as a processor, microprocessor or microcomputer, and may include a general-purpose device or may be a special purpose processing device, such as an ASIC, PAL, PLA, PLD, Field Programmable Gate Array (FPGA), Gate Array, or other customized or programmable device. For example, a timer can be
30 implemented by a counted loop executed in software. In the case of a programmable device as well as in other implementations, a memory is required. The memory may include a static RAM (random Access Memory), dynamic RAM, flash memory, ROM (Read Only Memory), or any

other data storage medium. The memory may include data, algorithms, programs, and / or instructions and any other software or firmware executable by the processor. The control logic can be implemented in hardware or in software, such as a firmware stored in the memory. The term "processor" herein is meant to include any integrated circuit or other electronic device (or
5 collection of devices) capable of performing an operation on at least one instruction including, without limitation, reduced instruction set core (RISC) processors, CISC microprocessors, microcontroller units (MCUs), CISC-based central processing units (CPUs), and digital signal processors (DSPs). The hardware of such devices may be integrated onto a single substrate (e.g., silicon "die"), or distributed among two or more substrates. Furthermore, various functional
10 aspects of the processor may be implemented solely as software or firmware associated with the processor. In accordance with various embodiments of the present disclosure, the methods described herein may be implemented by software programs executable by a processor or a computer system. Further, in an exemplary, non-limited embodiment, implementations can include distributed processing, component/object distributed processing, and parallel processing.
15 Alternatively, virtual computer system processing can be constructed to implement one or more of the methods or functionality as described herein.

While the computer-readable medium is shown to be a single medium, the term "computer-readable medium" includes a single medium or multiple media, such as a centralized or distributed database, and/or associated caches and servers that store one or more sets of
20 instructions. The term "computer-readable medium" shall also include any medium that is capable of storing, encoding or carrying a set of instructions for execution by a processor or that cause a computer system to perform any one or more of the methods or operations disclosed herein. In a particular non-limiting, exemplary embodiment, the computer-readable medium can include a solid-state memory such as a memory card or other package that houses one or more
25 non-volatile read-only memories. Further, the computer-readable medium can be a random access memory or other volatile re-writable memory. Additionally, the computer-readable medium can include a magneto-optical or optical medium, such as a disk or tapes or other storage device to capture carrier wave signals such as a signal communicated over a transmission medium. Accordingly, the disclosure is considered to include any one or more of a
30 computer-readable medium or a distribution medium and other equivalents and successor media, in which data or instructions may be stored.

While the invention has been exemplified above with regard to two-dimensional (2-D) structure, wherein the module are all connected to form a substantially planar structure, it will be appreciated that the invention equally applies to three-dimensional structure (3-D) wherein the system formed by the modules connections is a three-dimensional shape. Examples of engaging parts to form a 3-D structure are disclosed in U.S. Patent Application 2009/0127785 to Kishon entitled: "Puzzle", U.S. Patent 6,692,001 to Romano entitled: "Multi-Layered Decorative Puzzle Apparatus", U.S. Patent 6,237,914 to Saltanov *et al.* entitled: "Multi dimensional Puzzle", U.S. Patent 2,493,697 to Raczkowski entitled: "Profile Building Puzzle", U.S. Patent Application 2009/0127785 to Kishon entitled: "Puzzle" and U.S. Patent 4,874,176 to Auerbach entitled: "Three-Dimensional Puzzle", which are all incorporated in their entirety for all purposes as if fully set forth herein.

In one example application of the invention, a module or a system formed by connected modules is used as a toy or a game, and thus can be contrived as a form of amusement, education or entertainment. For example, it can be played as aiming to reconstruct a system by connecting or attaching interlocking modules serving as construction toy blocks, for example in a predetermined manner. The modules may take toy-like shapes such as having a look like a toy character, or according to a theme, to give additional interest in the game. The intellectual challenge involves connecting or attaching of numerous interlocking and tessellating modules. The system formed from the connected modules may be used to operate electrical devices such as visual or sound-based indicators, such as a music toy kit, as exemplified in system 960 above. The operation of the annunciator attracts the player attention and thus provides reward for completing the system. In addition to recreational purposes, the invention may provide educational and therapeutic benefits as motor skills, art, music and creative thinking skills are employed. In addition to music and notes applications described above, the modules and system may be used in training involving spelling, counting and object and color identification, which may be used by an operator who is in preliterate stage of development, such as a preschool age child. Further, it will be appreciated that the invention equally applies to any game set involving assembling (and disassembling) of modules into an array (which may be enclosed in a frame structure), wherein the modules are sized and configured to fit one with other by interlocking, friction fit or using shaped lugs and cut-outs (e.g. by connectors) for solving by means of connecting, wherein the modules are each having an electrical property, such as allowing for electrically announcing the proper solving of the game. Particularly, the invention may apply to

any building block toy set or similar construction systems that employ modules that can be assembled together to form larger toys or systems, and wherein the game primary purpose is the recreation or amusement by assembling or disassembling the game. As an example, the game set may comprise a plurality of inter-engaged game modules, each game module having one or more indentations and one or more protrusions, wherein the game is solved by the game modules can be assembled together in a single way using mating indentations and protrusions into a one pre-defined structure, and wherein each of said game module comprises two or more connectors, such that when properly assembled or connected together form an electrical system.

Further, the manner of play may be for diversified ages; diversified abilities; diversified approaches; specified age; specified ability; specified approach; creative; artistic; music-oriented; puzzle; recreational; educational; therapeutic; stage-oriented; level-oriented; family-oriented; age-appropriate; selective; thematic; turn indicated; timing indicated; scoring indicated; hierarchical; sequential; matching; choice; according to players, direction, playing order, number of players, teams; procedure indicated; having emission; introductory; junior; standard; intermediate; advanced; professional; numerical; alphabetical; identifying; positioning; pre-determined; improvisational; exchangeable; sharing; rotating; variable; same, different, switch, story, and customize-able.

While the invention has been exemplified above with regard to a payload including an annunciator providing visual or audible signaling, it will be appreciated that the invention equally applies to a payload adapted to perform other functions, such as physical movement or other motive functions (e.g. pop-up figure). For example, the payload may include motors, winches, fans, reciprocating elements, extending or retracting, and energy conversion elements. In addition, heaters or coolers may be used. Each of the actuator or movement appearance, location, color, type, shape and functionality may be conceptually related to the module or system theme (such as image or shape). Further, the payload may include an indicator for indicating free-form, shape, form, amorphous, abstract, conceptual, representational, organic, biomorphic, partially geometric, conventional, unconventional, multi-sided, natural, figurative, recognizable concept, geometric, amorphous, abstract, organic, virtual, irregular, regular, biomorphic, conventional, unconventional, symmetric, asymmetric, man-made, composite, geometric, letter, number, code, and symbol. Furthermore, the payload may be indicating associated information such as indicia, indicator, theme indicator, turn indicator, timing indicator, game piece indicator, emission indicator, emission device, playing area indicator,

scoring indicator, and procedure indicator. Further, the module or system may include sensors that will be part of the formed electrical circuit, such as photocells, voltage or current detectors, pressure detectors or motion detector and manually or automatically operated switches. Each of the sensor appearance, location, color, type, shape and functionality may be conceptually related to the module or system theme (such as image or shape).

In one particular example, the invention can be applied to control and automation, such as industrial control, robotics, factory automation and other similar applications, wherein the control is based on a sequence of events such as a finite state machine. For example, the system can be used as a substitute or a supplement to a PLC (Programmable Control Logic). Most control system involves programming language stored in software (or firmware) and executed by a processor in order to set (or program) or to execute the required set of controlling steps. One example is ladder logic or C language. Updating or changing such software requires skill and expertise, added to various programming tools, and thus expensive and complex to a lay person. Further, since the software is not directly visible, the programmed control steps are hidden to the user. The system according to the invention can be used to 'program' a process by connecting or attaching various modules, each associated with a different functionality of control step. Such system forming (as well as its modifications) is easy and intuitive, and does not require any expertise, skill or special tools. Further, the control steps involved are apparent by the type of modules used and their location in the system and in respect to each other. The formed control system may be used for home entertainment and control applications such as smart lighting, temperature control, safety and security, for home awareness applications such as water sensing and control, power sensors, energy monitoring, smoke and fire detectors, smart appliances and access sensors, for commercial building automation such as energy monitoring, HVAC, lighting and access control, and for industrial applications such as process control, asset management, environmental management, and industrial automation.

All publications, patents, and patent applications cited in this specifications are herein incorporated by reference as if each individual publication, patent, or patent application were specifically and individually indicated to be incorporated by reference and set forth in its entirety herein.

Throughout the description and claims this specifications the word “comprise” and variations of that word such as “comprises” and “comprising”, are not intended to exclude other additives, components, integers or steps.

Those of skill in the art will understand that the various illustrative logical blocks, modules and circuits described in connection with the embodiments disclosed herein may be implemented in any number of ways including electronic hardware, computer software, or combinations of both. The various illustrative components, blocks, modules and circuits have been described generally in terms of their functionality. Whether the functionality is implemented as hardware or software depends upon the particular application and design constraints imposed on the overall system. Skilled artisans recognize the interchangeability of hardware and software under these circumstances, and how best to implement the described functionality for each particular application.

Although exemplary embodiments of the present invention have been described, this should not be construed to limit the scope of the appended claims. Those skilled in the art will understand that modifications may be made to the described embodiments. Moreover, to those skilled in the various arts, the invention itself herein will suggest solutions to other tasks and adaptations for other applications. It is therefore desired that the present embodiments be considered in all respects as illustrative and not restrictive, reference being made to the appended claims rather than the foregoing description to indicate the scope of the invention.

It will be appreciated that the aforementioned features and advantages are presented solely by way of example. Accordingly, the foregoing should not be construed or interpreted to constitute, in any way, an exhaustive enumeration of features and advantages of embodiments of the present invention.

The present invention may be embodied in other specific forms without departing from its spirit or essential characteristics. The described embodiments are to be considered in all respects as illustrative and not restrictive. The scope of the invention is, therefore, indicated by the appended claims rather than by the foregoing description. All changes that come within the meaning and range of equivalency of the claims are to be embraced within their scope.

What is claimed is:

1. A device for passing a signal from a first device to a second device identical to the first device and for using the signal to control a payload, said device comprising:

5 a first connector for connecting to the first device;

a first line receiver coupled to said first connector for receiving a first signal from the first device;

a first timer coupled to said line receiver for producing a second signal that is delayed by a first time period from the first signal;

10 a second connector, capable of mating with said first connector, configured to be connectable to the second device;

a first line driver coupled between said first timer and said second connector and operative to transmit the second signal to a line receiver of the same type as said first line receiver in said second device;

15 a control circuit coupled to said first line receiver for generating a control signal in response to said first signal, the control circuit having a control port coupleable to control the payload by the control signal;

a single enclosure housing said first and second connectors, said first line receiver, said first line driver, said first timer and said control port.

20 2. The device according to claim 1, wherein said first line receiver is operative to receive said first signal in an unbalanced signal form, and said first line driver is operative to transmit said second signal in an unbalanced signal form.

25 3. The device according to claim 2, wherein the unbalanced signal is substantially according to RS-232 or RS-423 standards.

30 4. The device according to claim 1, wherein said first line receiver is operative to receive the first signal in a balanced signal form, and said first line driver is operative to transmit the second signal in a balanced signal form.

5. The device according to claim 4, wherein the balanced signal is substantially according to RS-422 or RS-485 standards.

6. The device according to claim 1, wherein said control circuit comprising a second timer for producing a control signal that is constituted by the first signal delayed by a second time period.

7. The device according to claim 6, wherein at least one of said first and second timers is an RC based monostable circuit or a delay line.

8. The device according to claim 1, wherein at least one of the first and second time periods is set by a user.

9. The device according to claim 1, in combination with the payload, said payload being housed within said single enclosure and connected to said control port to be controlled by said control signal.

10. The device according to claim 1, wherein said control port is a connector in said single enclosure that is connectable to control the payload.

11. The device according to claim 1, further comprising, in said single enclosure:
a third connector capable of mating with said first connector, for connecting to a third device identical to the second device, and

a second line driver coupled between said first timer and said third connector and operative to transmit the second signal to a line receiver of the same type as said first line receiver in said third device.

12. The device according to claim 11, further comprising, in said single enclosure, a second timer coupled between said first line receiver and said second line driver for producing a third signal that is delayed by a second time period from said first signal, and wherein said second line driver is connected for transmitting the third signal to the third device.

13. The device according to claim 1, further operative for two way operation, and further comprising, in said single enclosure:

a second line receiver coupled to said second connector for receiving a third signal from said second device; and

5 a second line driver coupled to said first connector and to said second line receiver for transmitting the third signal to said first device.

14. The device according to claim 13, further comprising, in said single enclosure, a second timer coupled between said second line receiver and said second line driver for
10 producing a fourth signal that is delayed by a second time period from the first signal, and wherein said second line driver is connected for transmitting the third signal to said first device.

15. The device according to claim 13, wherein said control circuit is further coupled to said second line receiver and the control signal is generated in response to the third signal.

16. The device according to claim 13, wherein the second signal is carried over a first wire pair and the third signal is carried over a second wire pair distinct from the first wire pair.

17. The device according to claim 13, wherein the second and third signals are carried
20 over a single wire pair.

18. The device according to claim 17, further comprising a three-port circuit coupled between said first line driver, second line receiver and said second connector, said three-port circuit being operative to substantially pass only the second signal between said first line driver
25 and said second connector and to substantially pass only the third signal between said second connector and said second line receiver.

19. The device according to claim 18, wherein said three-port circuit is a hybrid circuit.

20. The device according to claim 1, further comprising, in said single enclosure, a
30 power source for powering said first line receiver, said first line driver, and said first timer.

21. The device according to claim 20, wherein the power source is a battery.

22. The device according to claim 21, wherein the battery is a primary type or a rechargeable type.

5

23. The device according to claim 20, further comprising, in said single enclosure, a battery compartment for housing said battery.

10

24. The device according to claim 21, further comprising a DC/DC converter coupled to said battery.

15

25. The device according to claim 1, wherein: said device is powered from an external power source; said device further comprises: a power connector for connecting to said power source; and said first line receiver, said first line driver, and said first timer are connected to said power connector for being powered from the power source.

20

26. The device according to claim 25, wherein the power source is a domestic AC power outlet, and said device further comprises an AC/DC converter connected to be powered from the power source.

25

27. The device according to claim 25, wherein: the power source is a domestic AC power outlet; said device further comprises an AC/DC adapter powered from the AC power outlet; and said AC/DC adapter comprises a step-down transformer and an AC/DC converter for DC powering said device.

30

28. The device according to claim 25, in combination with the payload, wherein said payload is housed in said single enclosure, and wherein said payload is coupled to said power connector for being powered from the external power source.

29. The device according to claim 1, adapted for remote powering from the first device, wherein said first line receiver, said first line driver, and said first timer are coupled to said first connector to be powered by a power signal from said first connector.

30. The device according to claim 29, wherein the power signal is coupled to said second connector for supplying power to the second device.

31. The device according to claim 29, wherein the power signal is a DC power signal, and said device further comprises a DC/DC converter coupled to the said first connector for being supplied with power from the DC power signal.

32. The device according to claim 29, wherein the first signal is carried over a first wire pair and the power signal is carried over a second wire pair distinct from the first wire pair.

33. The device according to claim 29, wherein the first signal and the power signal are carried concurrently over the same wires, and said device further comprises a power supply powered from the power signal for powering said first line receiver, said first line driver, and said first timer.

34. The device according to claim 33, further comprising a power/data splitter/combiner coupled between said first line receiver, said first connector and said power supply, said power/data splitter/combiner being operative to substantially pass only the first signal between said first line receiver and said first connector and to substantially pass only the power signal between said first connector and said power supply.

35. The device according to claim 34, wherein the power signal and the first signal are carried together using Frequency Division Multiplexing (FDM), the power signal is carried at a single frequency and the first signal is carried in a frequency band distinct from said single frequency.

36. The device according to claim 34, wherein said power/data splitter/combiner comprises a first filter operative to substantially pass only the single frequency and a second filter operative to substantially pass only the frequency band.

37. The device according to claim 34, wherein said power/data splitter/combiner comprises a center tap transformer and a capacitor connected between the transformer windings.

38. The device according to claim 34 wherein: the power signal and the first signal are carried using a phantom channel; the power signal is carried over the phantom channel; and said power/data splitter/combiner comprises two center-tap transformers.

5 39. The device according to claim 1 in combination with the payload, wherein: said device further comprises, in said single enclosure, a power source for powering said first line receiver, said first line driver, and said first timer; said payload is housed in said single enclosure; and said payload is powered from said power source.

10 40. The device according to claim 1, further comprising:
in said single enclosure, a power source for powering said first line receiver, said first line driver, and said first timer; and
a payload connector connectable to the payload, said payload connector being coupled to said power source for powering the payload from said power source.

15 41. The device according to claim 1, further comprising an electrically activated switch connected to be activated by said control port.

20 42. The device according to claim 41, wherein said electrically activated switch is connected between the payload and a power source, for powering the payload upon activation of the electrically activated switch by said control port.

25 43. The device according to claim 42, wherein the payload or said power source is housed in said single enclosure.

44. The device according to claim 1, in combination with the payload, and wherein said payload is an annunciator for issuing an announcement using visual or audible signaling.

30 45. The device according to claim 44, wherein said annunciator comprises a smoke generator.

46. The device according to claim 44, wherein said annunciator comprises a visual signaling device.

5 47. The device according to claim 46, wherein said visual signaling device is a visible light emitter.

48. The device according to claim 47, wherein said visible light emitter is a semiconductor device, an incandescent lamp, or a fluorescent lamp.

10 49. The device according to claim 47, wherein said visible light emitter is adapted for a steady illumination and for blinking.

50. The device according to claim 47, wherein said visible light emitter is mounted for illuminating a part of or all of an image.

15

51. The device according to claim 47, wherein illumination by said visible light emitter is associated with a theme or shape of said device.

20 52. The device according to claim 44, wherein said annunciator comprises an audible signaling device.

53. The device according to claim 52, wherein said audible signaling device comprises an electromechanical or piezoelectric sound generator.

25 54. The device according to claim 53, wherein said audible signaling device comprises a buzzer, a chime, or a ringer.

55. The device according to claim 52, wherein said audible signaling device comprises a loudspeaker and a digital/analog converter coupled to said loudspeaker.

30

56. The device according to claim 52, wherein said audible signaling device is operative to generate a single tone or multiple tones.

57. The device according to claim 52, wherein sound emitted from said audible signaling device is associated with a theme or shape of said device.

58. The device according to claim 52, wherein sound emitted from said audible signaling device is a characteristic sound of one of: a household appliance; a vehicle; an emergency vehicle; an animal; and a musical instrument.

59. The device according to claim 52, wherein sound emitted from said audible signaling device is a song or a melody.

60. The device according to claim 52, wherein sound emitted from said audible signaling device is a human voice talking.

61. The device according to claim 60, wherein the sound is a syllable, a word, a phrase, a sentence, a short story, or a long story.

62. The device according to claim 61, wherein the sound is based on speech synthesis, or is pre-recorded.

63. The device according to claim 1, further comprising, in said single enclosure, firmware and a processor for executing instruction embedded in said firmware, said processor being coupled to control said control port.

64. The device according to claim 1, further operative for random operation, said device further comprising a random signal generator connected for controlling a parameter in the device.

65. The device according to claim 64, wherein said random signal generator is based entirely on hardware.

66. The device according to claim 65, wherein the signal produced by the random signal generator is based on a physical process.

67. The device according to claim 66, wherein the physical process is one of a thermal noise, a shot noise, decaying nuclear radiation, a photoelectric effect and a quantum phenomenon.

5 68. The device according to claim 64, wherein said random signal generator includes software and a processor executing said software.

69. The device according to claim 68, wherein said software includes an algorithm for generating pseudo-random numbers.

10

70. The device according to claim 64, wherein said random signal generator is coupled to said first timer for controlling the delay introduced by said first timer.

15

71. The device according to claim 64, wherein said random signal generator is couplable to the payload for controlling the payload.

72. The device according to claim 64, wherein said random signal generator is activated only at power up of said device for generating a single output value.

20

73. The device according to claim 64, wherein said random signal generator is coupled to said first line receiver to be activated upon receiving the first signal.

25

74. The device according to claim 64, further comprising a switch coupled to said random signal generator to be activated based on the random signal generator output.

75. The device according to claim 64, further comprising a reference signal source and a comparator, wherein said comparator is connected to provide a digital logic signal based on comparing the random signal generator output and the reference signal source output.

30

76. The device according to claim 75, wherein the digital logic signal is couplable to activate said payload.

77. The device according to claim 64, wherein said random signal generator provides an analog output, said reference signal source provides an analog signal output and said comparator is an analog comparator.

5 78. The device according to claim 64, wherein said random signal generator provides a digital number output, said reference signal source provides a digital number output and said comparator is a digital comparator.

10 79. The device according to claim 64, further comprising a plurality of reference signal sources and a plurality of comparators, and wherein: said device is couplable to control multiple payloads; said comparators are connected to provide digital logic signals based on comparing the random signal generator output and the reference signal source outputs; and the digital logic signals are couplable to each control or activate a respective one of the multiple payloads.

15 80. A device for randomly delaying an activation signal to a payload, the device comprising:
a first connector for connecting to a wiring;
a line receiver coupled to said first connector for receiving an activation signal from the wiring;
20 a first timer coupled to said line receiver for producing a delayed activation signal that is delayed by a first time period from the activation signal;
a control port couplable to activate the payload by coupling the delayed activation signal to the payload;
a random signal generator operative to output a random signal, said random signal
25 generator being coupled to control the delay produced by said first timer; and
a single enclosure housing said first connector, said line receiver, said first timer, said random signal generator and said control port.

30 81. The device according to claim 80, wherein said random signal generator is hardware only based.

82. The device according to claim 81, wherein said random signal generator is based on a physical process.

83. The device according to claim 82, wherein the physical process is one of a thermal noise, a shot noise, decaying nuclear radiation, a photoelectric effect, and a quantum phenomenon.

84. The device according to claim 80, wherein said random signal generator includes software and a processor executing said software.

85. The device according to claim 84, wherein said software includes an algorithm for generating pseudo-random numbers.

86. A device for randomly activating a payload, the device comprising:

a first connector for connecting to a wiring;

a line receiver coupled to said first connector for receiving an activation signal from the wiring;

at least one payload;

a control port couplable to activate said payload by coupling a control signal to said payload;

a first timer coupled between said line receiver and said control port for producing a control signal in response to the activation signal being delayed by a controlled first time period;

a random signal generator operative to output a random signal, said random signal generator being coupled to control the delay of said first timer;

a reference signal source for producing a reference signal;

a comparator coupled to provide a digital logic signal based on comparing the random signal with the reference signal, the digital logic signal being coupled to said control port; and

a single enclosure housing said first connector, said line receiver, said first timer, said reference signal source, said comparator said control port and said random signal generator,

wherein said control port is operative to activate said payload in response to the delayed activation signal received by said line receiver and the digital logic signal.

87. The device according to claim 86, wherein said random signal generator is based entirely on hardware.

88. The device according to claim 87, wherein the signal produced by said random
5 signal generator is based on a physical process.

89. The device according to claim 88, wherein the physical process is one of a thermal
noise, a shot noise, nuclear decaying radiation, a photoelectric effect and a quantum
phenomenon.

10

90. The device according to claim 86, wherein said random signal generator includes
software and a processor executing said software.

91. The device according to claim 90, wherein said software includes an algorithm for
15 generating pseudo-random numbers.

92. The device according to claim 86, wherein said random signal generator provides an
analog output, said reference signal source provides an analog signal output and said comparator
is an analog comparator.

20

93. The device according to claim 86, wherein said random signal generator provides a
digital number output, said reference signal source provides a digital number output and said
comparator is a digital comparator.

25

94. The device according to claim 86, further comprising a plurality of reference signal
sources and plurality of comparators, and wherein: said device is couplable to control multiple
payloads; said comparators are connected to provide digital logic signals based on comparing
the random signal generator output and the reference signal source outputs; and the digital logic
signals are couplable to each control or activate a respective one of said multiple payloads.

30

95. A set of at least three modules connectable to form a system for sequentially activating payloads, said set comprising:

first, second and third modules, each said module being associated with a respective payload, and being housed in a respective single enclosure, each module comprising a first type connector and a second type connector, all of said first type connectors being identical to one another, all of said second type connectors being identical to one another, and each of said first type connectors being configured to mate with any one of said second type connectors; and each of said modules further comprises a control port for controlling an associated payload,

wherein said second connector of said first module is connectable to said first connector of said second module and said second connector of said second module is connectable to said first connector of said third module to form a system; and further wherein each module in the system is operative to:

receive a first signal at said first type connector;

control the associated payload based on the first signal;

produce a second signal that is a time delayed version of the first signal; and

transmit the second signal to said second type connector.

96. The set according to claim 95, wherein said modules are identical to one another.

97. The set according to claim 95, wherein said first and second modules are mechanically attachable to each other and said third and second modules are mechanically attachable to each other.

98. The set according to claim 95, wherein said modules are mechanically attachable to one another only by said connectors.

99. The set according to claim 95, wherein each of the payloads is housed within said single enclosure of the associated module.

100. The set according to claim 95, wherein the payloads are external to said single enclosure of each associated module, and each module comprises a third connector for connecting to the associated payload.

5 101. The set according to claim 95, wherein the time delay is randomly selected within a specified range.

102. The set according to claim 95, wherein each module comprises, in said single enclosure, a power source for powering the module.

10

103. The set according to claim 102, wherein each said power source is a battery.

104. The set according to claim 103, wherein each said battery is a primary type or a rechargeable type.

15

105. The set according to claim 102, wherein each module further comprises, in said single enclosure, the payload, and wherein the payload is powered from said power source.

20

106. The set according to claim 95, wherein at least one of the payloads is an annunciator for announcing using visual or audible signaling.

107. The set according to claim 95, wherein each of the payloads consists of an annunciator for announcing using visual or audible signaling.

25

108. The set according to claim 107, wherein the annunciator comprises a smoke generator.

109. The set according to claim 107, wherein the annunciator comprises a visual signaling device.

30

110. The set according to claim 109, wherein the visual signaling device is a visible light emitter.

111. The set according to claim 110, wherein the visible light emitter is a semiconductor device, an incandescent lamp, or fluorescent lamp.

5 112. The set according to claim 110, wherein the visible light emitter is adapted to produce a steady illumination and blinking.

113. The set according to claim 107, wherein the annunciator comprises an audible signaling device.

10 114. The set according to claim 113, wherein the audible signaling device comprises an electromechanical or piezoelectric sound generator.

115. The set according to claim 113, wherein the audible signaling device comprises a buzzer, a chime, or a ringer.

15

116. The set according to claim 113, wherein the audible signaling device comprises a loudspeaker and a digital to analog converter coupled to the loudspeaker.

20 117. The set according to claim 113, wherein the audible signaling device is operative to generate a single tone, or multiple tones.

118. The set according to claim 113, wherein the sound emitted from the audible signaling device is associated with a theme or shape of the system.

25 119. The set according to claim 113, wherein the sound emitted from the audible signaling device is a song or a melody.

120. The set according to claim 113, wherein the sound emitted from the audible signaling device is a human voice talking.

30

121. The set according to claim 120, wherein the sound is a syllable, a word, a phrase, a sentence, a short story, or a long story.

122. The set according to claim 121, wherein the sound is based on speech synthesis or is pre-recorded.

123. A system comprising the set according to claim 95, wherein:

5 said second connector of said first module is connected to said first connector of said second module and said second connector of said second module is connected to said first connector of said third module to form said system; and

 the first signals and the second signals are carried between said modules in the system as unbalanced signals.

10

124. A system comprising the set according to claim 95, wherein:

 said second connector of said first module is connected to said first connector of said second module and said second connector of said second module is connected to said first connector of said third module to form said system; and

15 the first signals and the second signals are carried between the modules in the system as balanced signals.

15

125. A system comprising the set according to claim 95, wherein:

 said second connector of said first module is connected to said first connector of
20 said second module and said second connector of said second module is connected to said first connector of said third module to form said system; said system is operative for two-way operation; and each module is further operative to:

 receive a third signal at said second connector;

 control the associated payload based on the third signal;

25 produce a fourth signal that is a time delayed version of the third signal; and

 transmit the fourth signal to said first connector.

25

126. The system according to claim 125, wherein communication between two connected modules is carried out using four conductors, including two conductors for each
30 direction of communication.

30

127. The system according to claim 125, wherein communication between two connected modules is carried out using only two conductors.

128. The system according to claim 125, wherein communication between two
5 connected modules is carried out using a hybrid circuit.

129. A system comprising the set according to claim 95, wherein:
said second connector of said first module is connected to said first connector of
said second module and said second connector of said second module is connected to said first
10 connector of said third module to form said system; and
said system is powered from a single external power source.

130. The system according to claim 129, wherein said external power source is a
domestic AC power outlet.
15

131. The system according to claim 129, wherein said modules are connected to supply
power from one module to another module connected to said one module.

132. The system according to claim 129, wherein each module further comprises, in the
20 respective single enclosure, the respective payload, and each payload is powered from the
external power source.

25

30

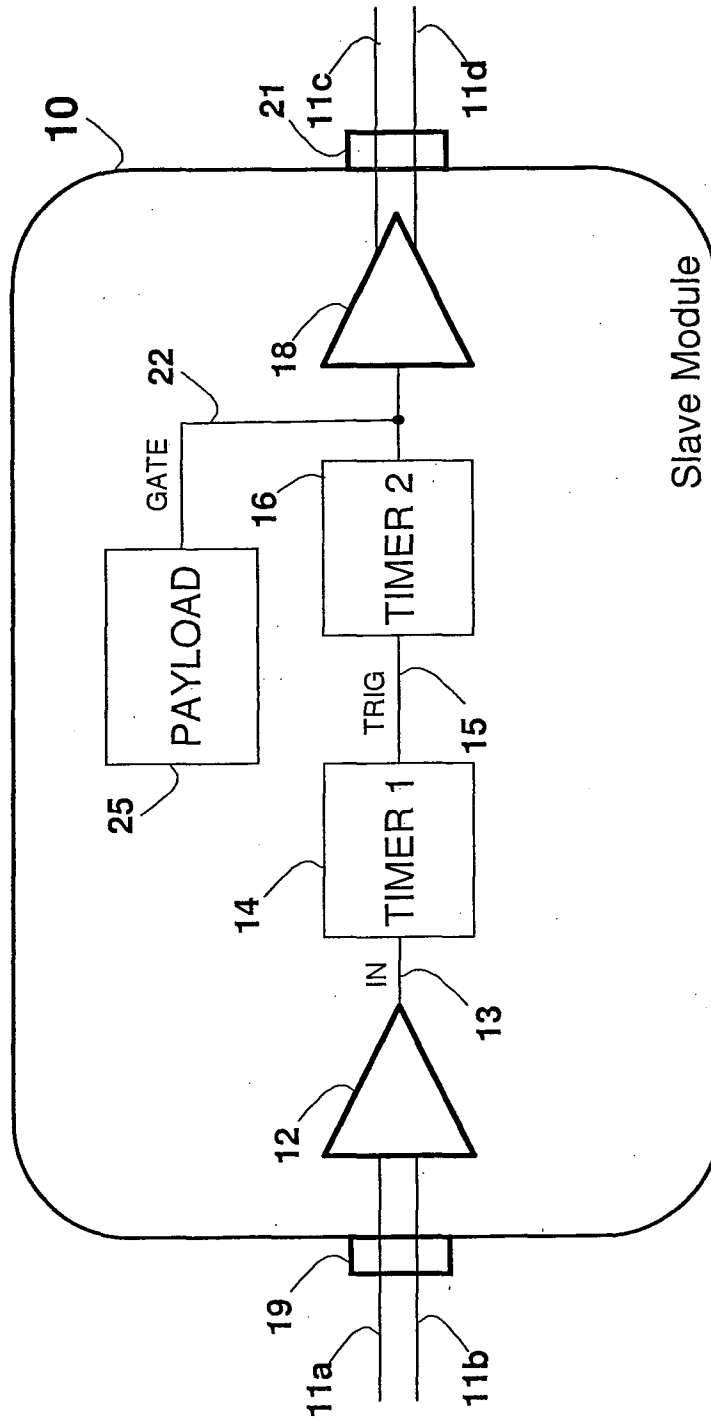


FIG. 1

20 →

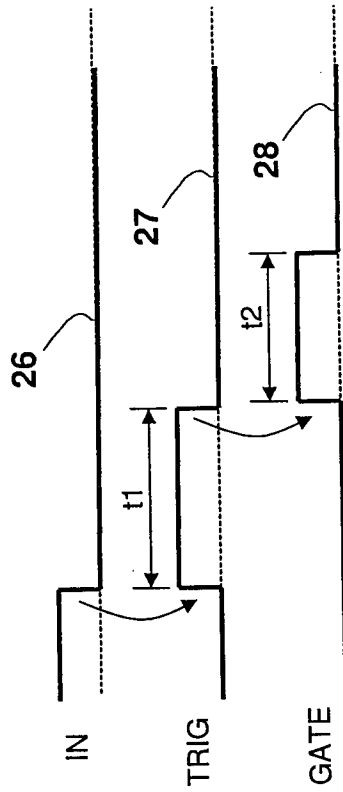


FIG. 2

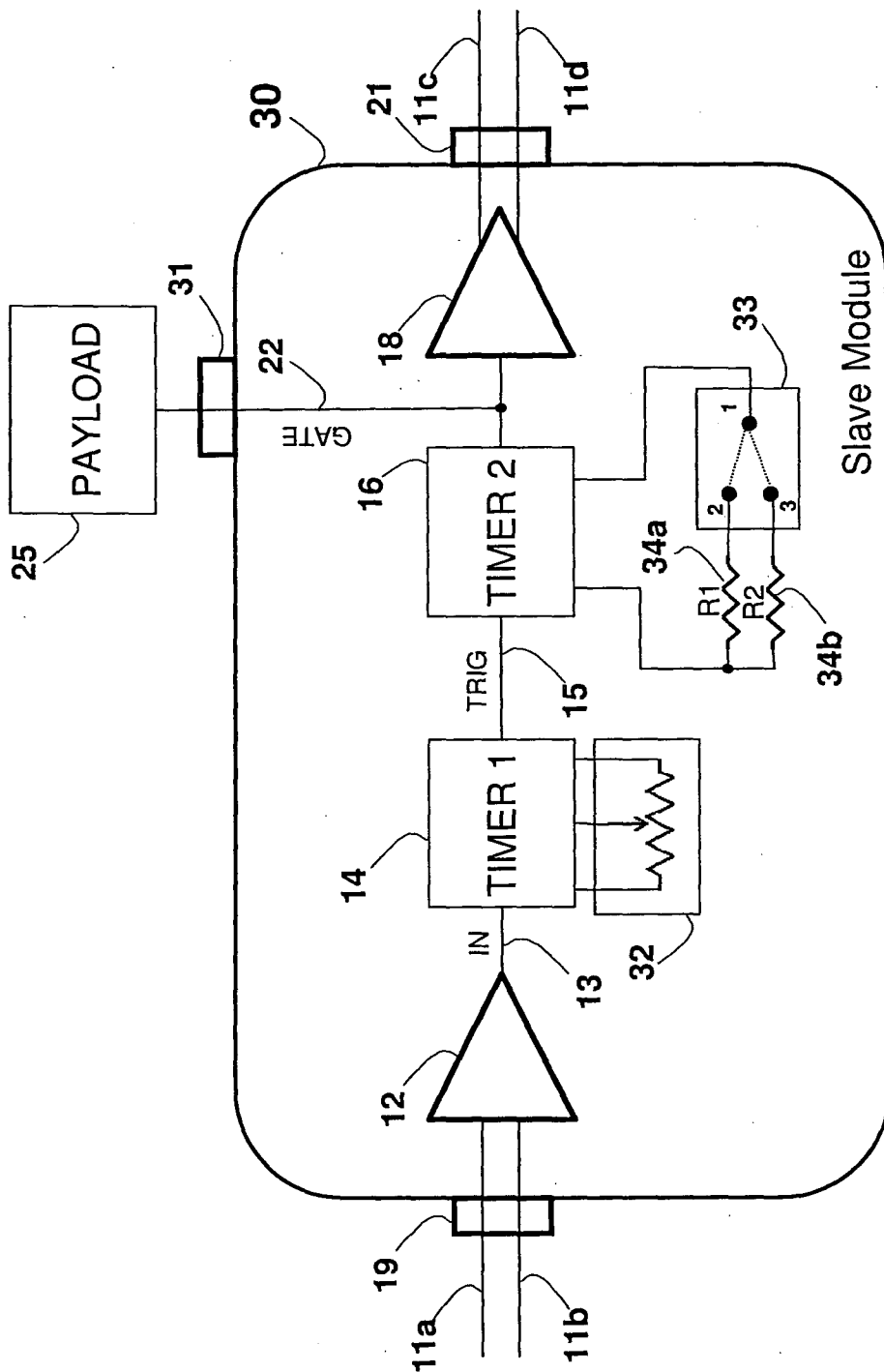


FIG. 3

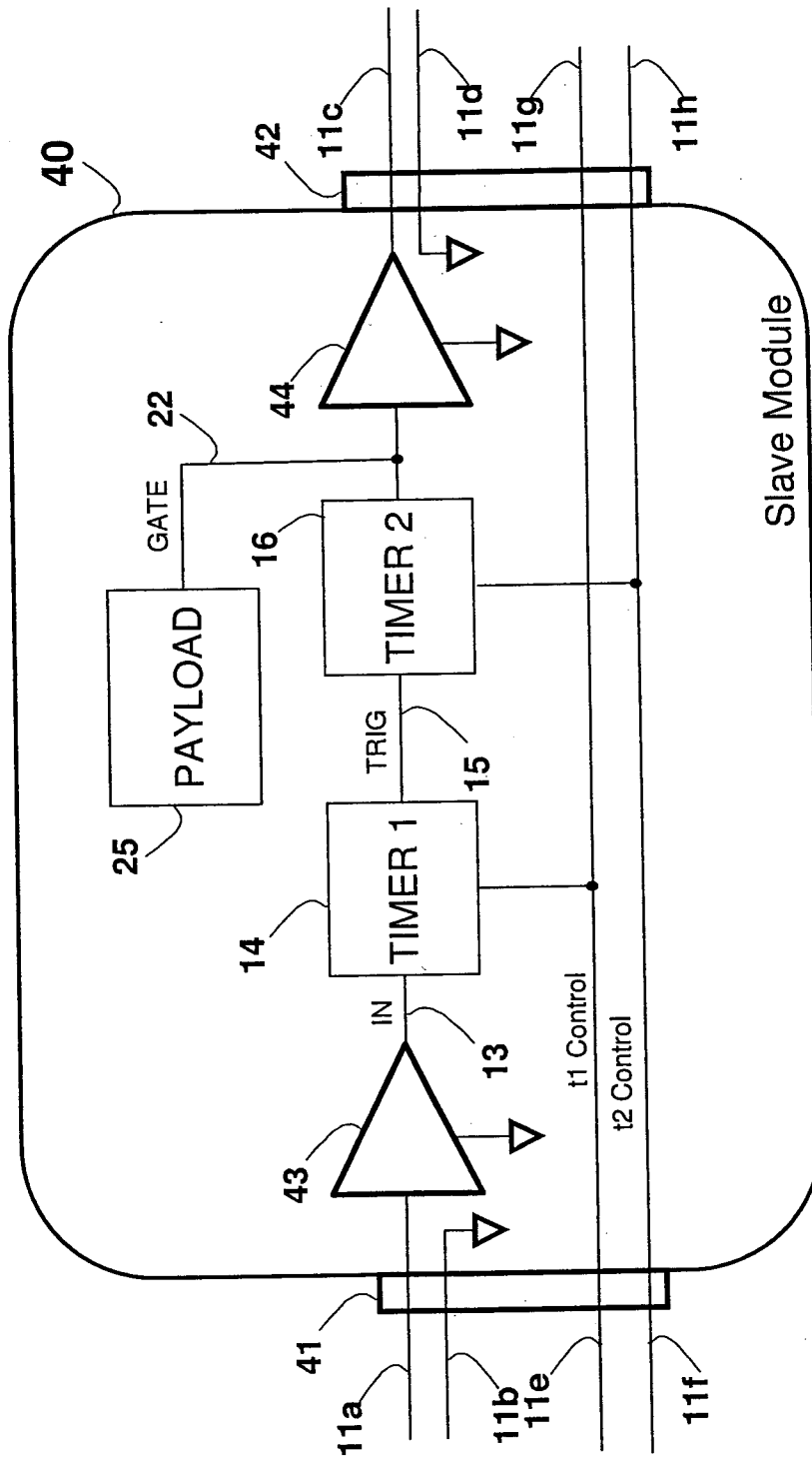


FIG. 4

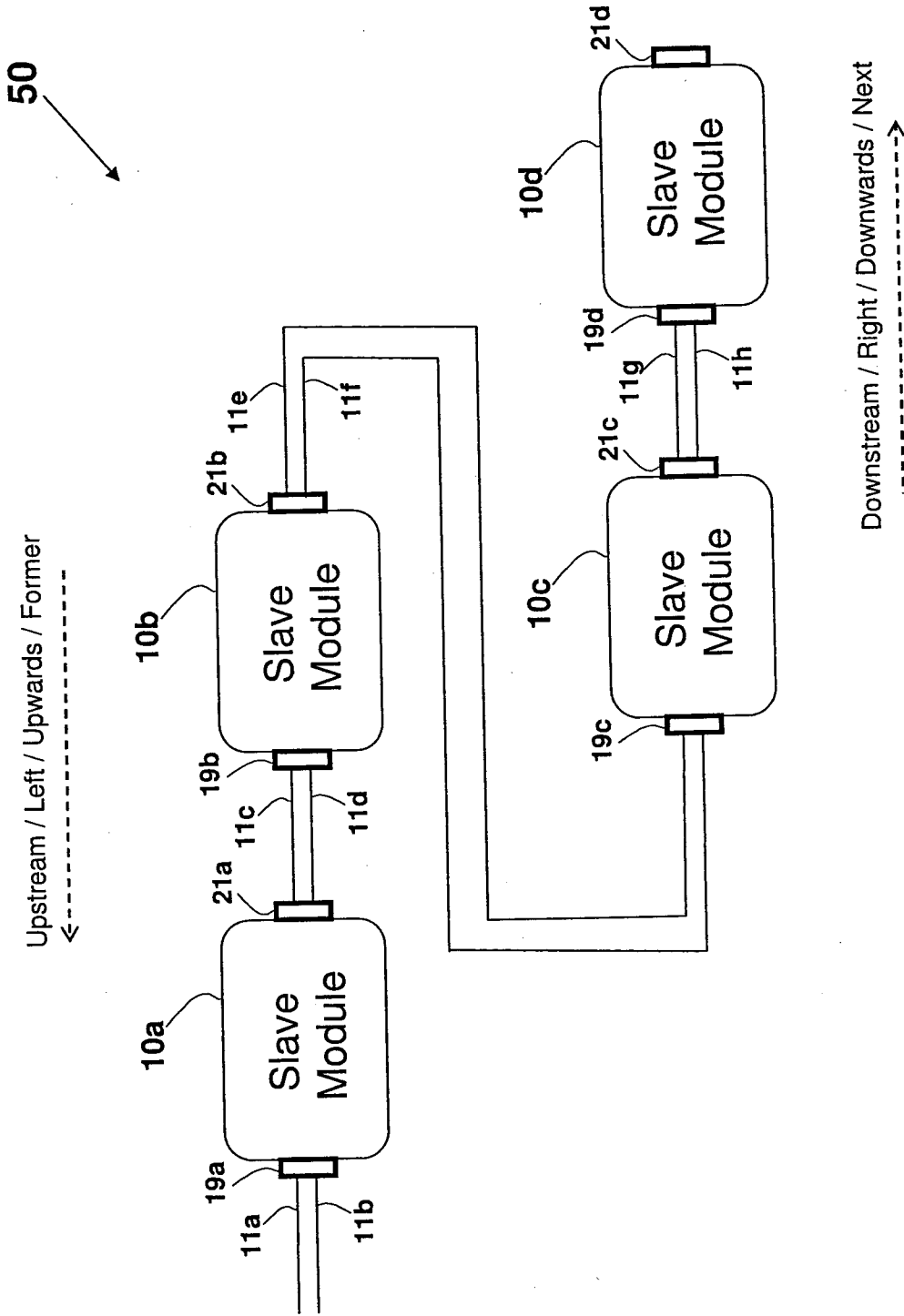


FIG. 5

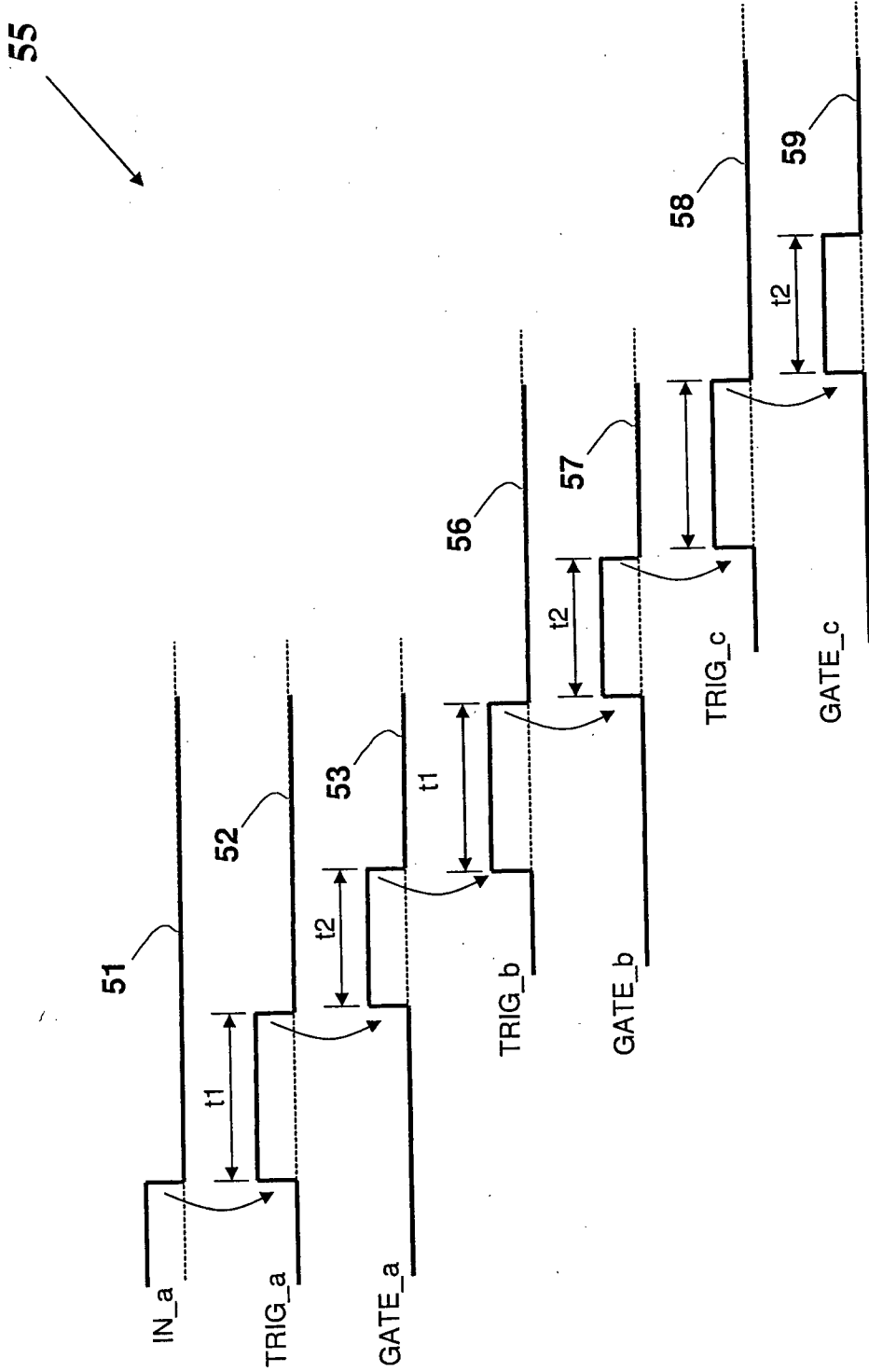


FIG. 5a

7/156

65

	62a	62b	62c	62d	62e
61a	↓	↓	↓	↓	↓
61b	↓	↓	↓	↓	↓
61c	↓	↓	↓	↓	↓
61d	↓	↓	↓	↓	↓
61e	↓	↓	↓	↓	↓
61f	↓	↓	↓	↓	↓
61g	↓	↓	↓	↓	↓

TIME	#1	#2	#3	#4
0	OFF	OFF	OFF	OFF
1	ON	OFF	OFF	OFF
2	OFF	ON	OFF	OFF
3	OFF	OFF	ON	OFF
4	OFF	OFF	OFF	ON
5	OFF	OFF	OFF	OFF
6	OFF	OFF	OFF	OFF

FIG. 5b

8/156

66

	62a	62b	62c	62d	62e	
	↓	↓	↓	↓	↓	
	61a →	61b →	61c →	61d →	61e →	
	61f →	61g →				
TIME	#1	#2	#3	#4		
0	OFF	OFF	OFF	OFF		
1	ON	OFF	OFF	OFF		
2	OFF	ON	OFF	OFF		
3	ON	OFF	ON	OFF		
4	OFF	ON	OFF	ON		
5	OFF	OFF	ON	ON		
6	OFF	OFF	OFF	ON		

FIG. 5C

9/156

67

TIME	#1	#2	#3	#4
0	OFF	OFF	OFF	OFF
1	ON	OFF	OFF	OFF
2	ON	ON	OFF	OFF
3	ON	ON	ON	OFF
4	ON	ON	ON	ON
5	ON	ON	ON	ON
6	ON	ON	ON	ON

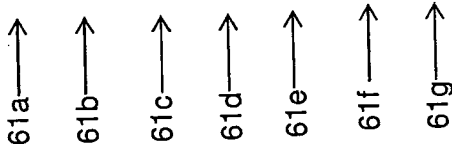
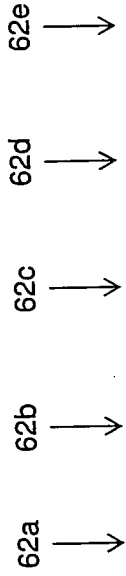


FIG. 5d

68

	62a	62b	62c	62d	62e
61a	→	→	→	→	→
61b	→	→	→	→	→
61c	→	→	→	→	→
61d	→	→	→	→	→
61e	→	→	→	→	→
61f	→	→	→	→	→
61g	→	→	→	→	→

TIME	#1	#2	#3	#4
0	OFF	OFF	OFF	OFF
1	ON	OFF	OFF	OFF
2	ON	ON	OFF	OFF
3	OFF	ON	ON	OFF
4	OFF	OFF	ON	ON
5	OFF	OFF	OFF	ON
6	OFF	OFF	OFF	OFF

FIG. 5e

11/156

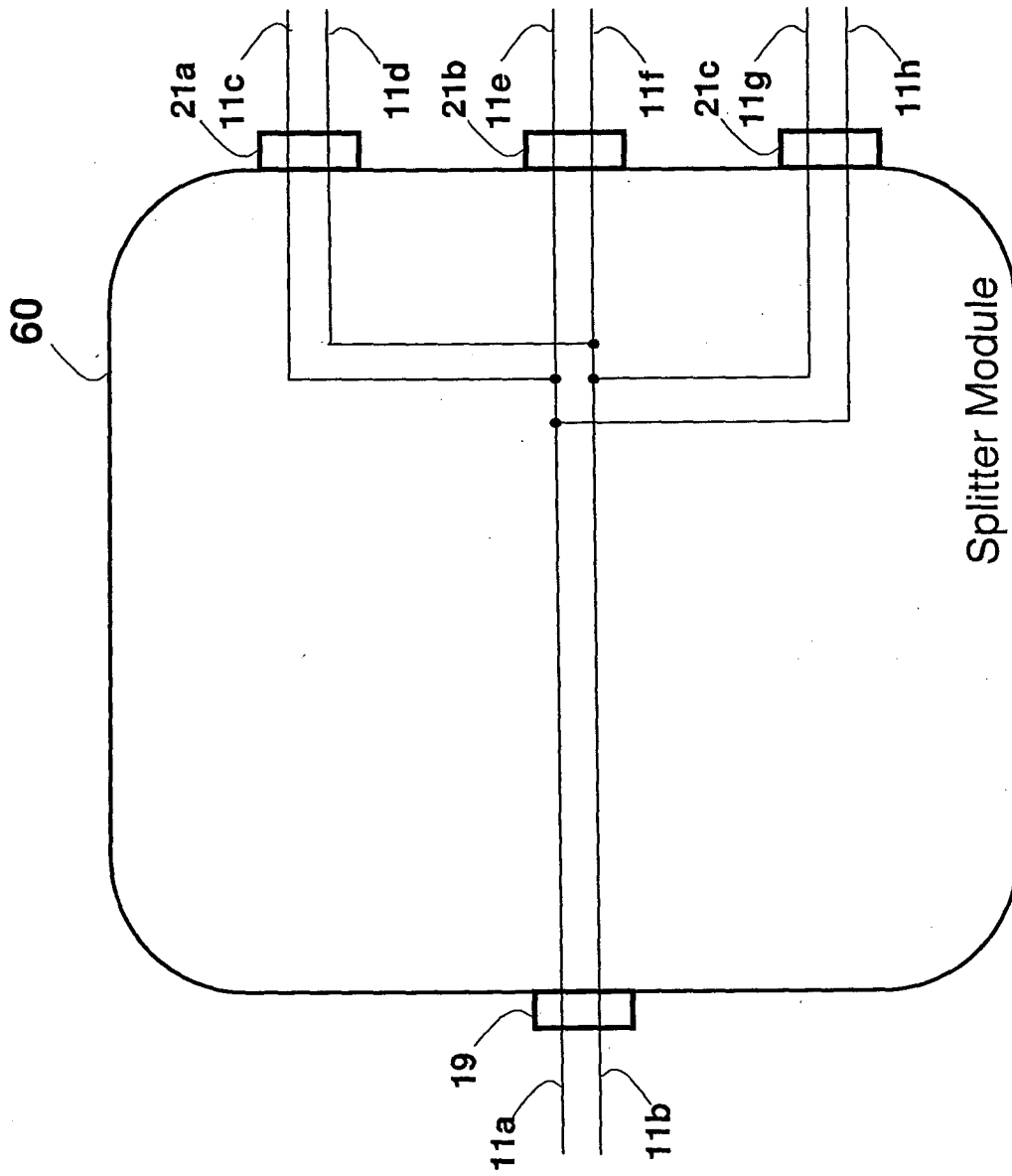


FIG. 6

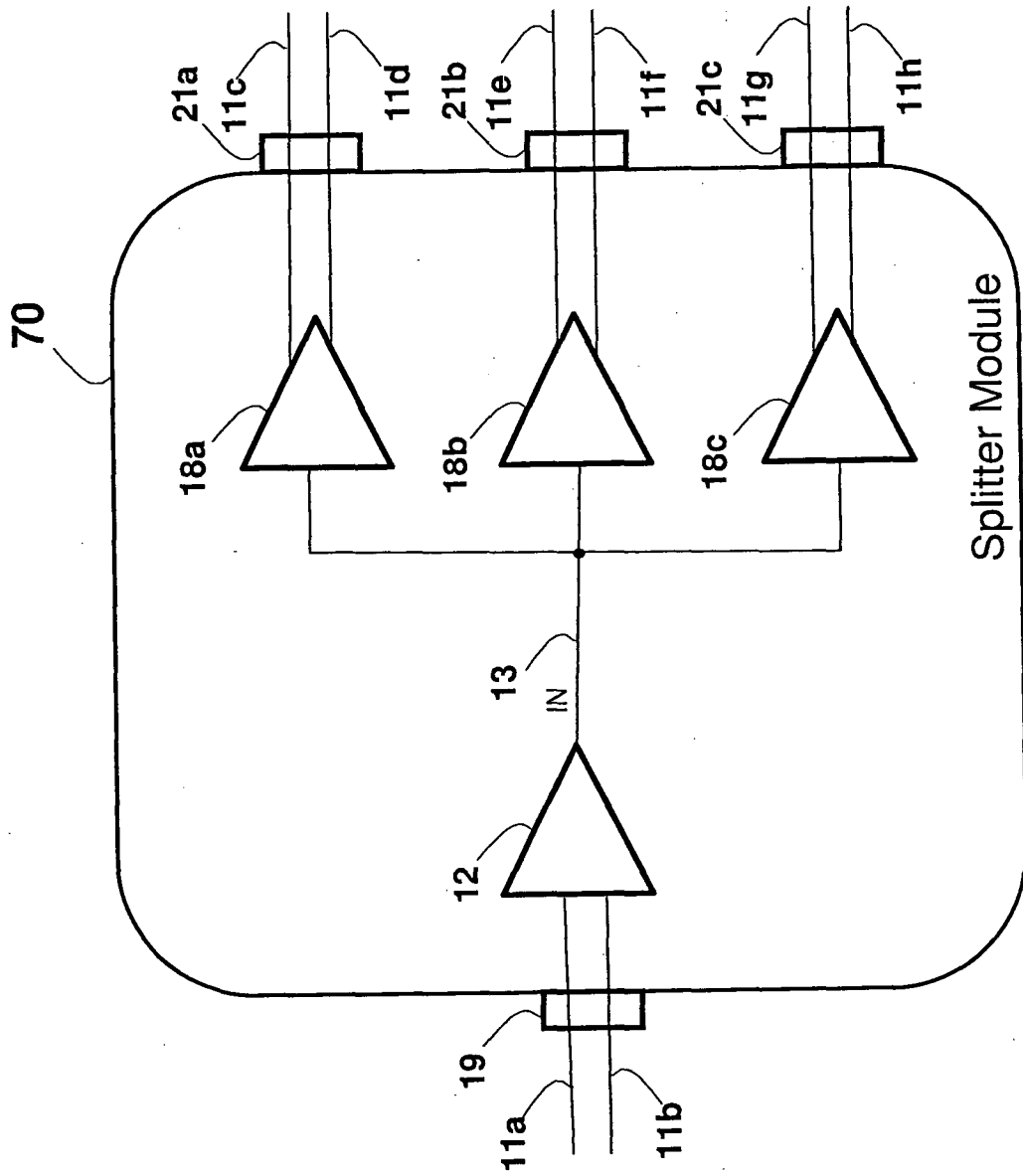


FIG. 7

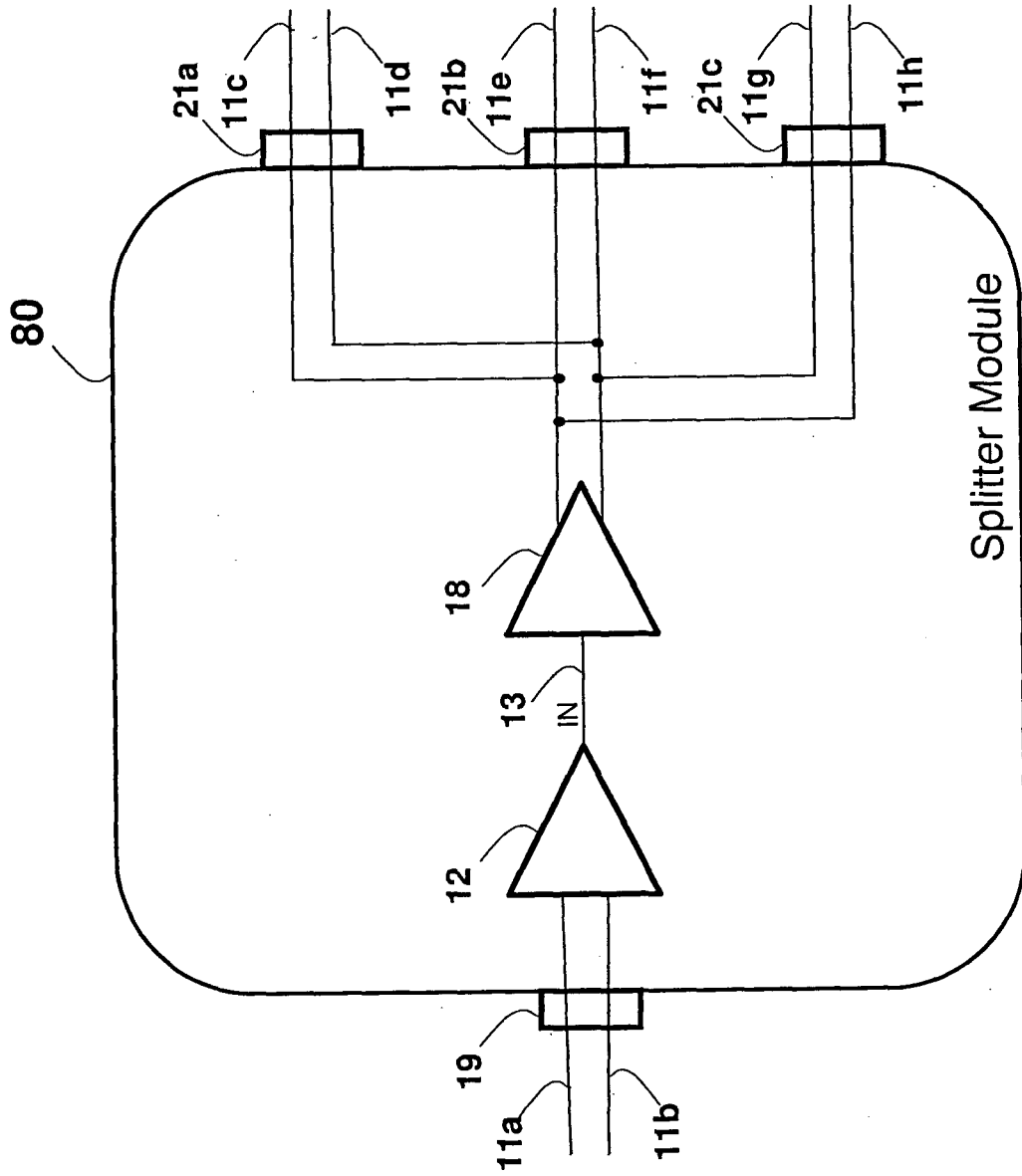


FIG. 8

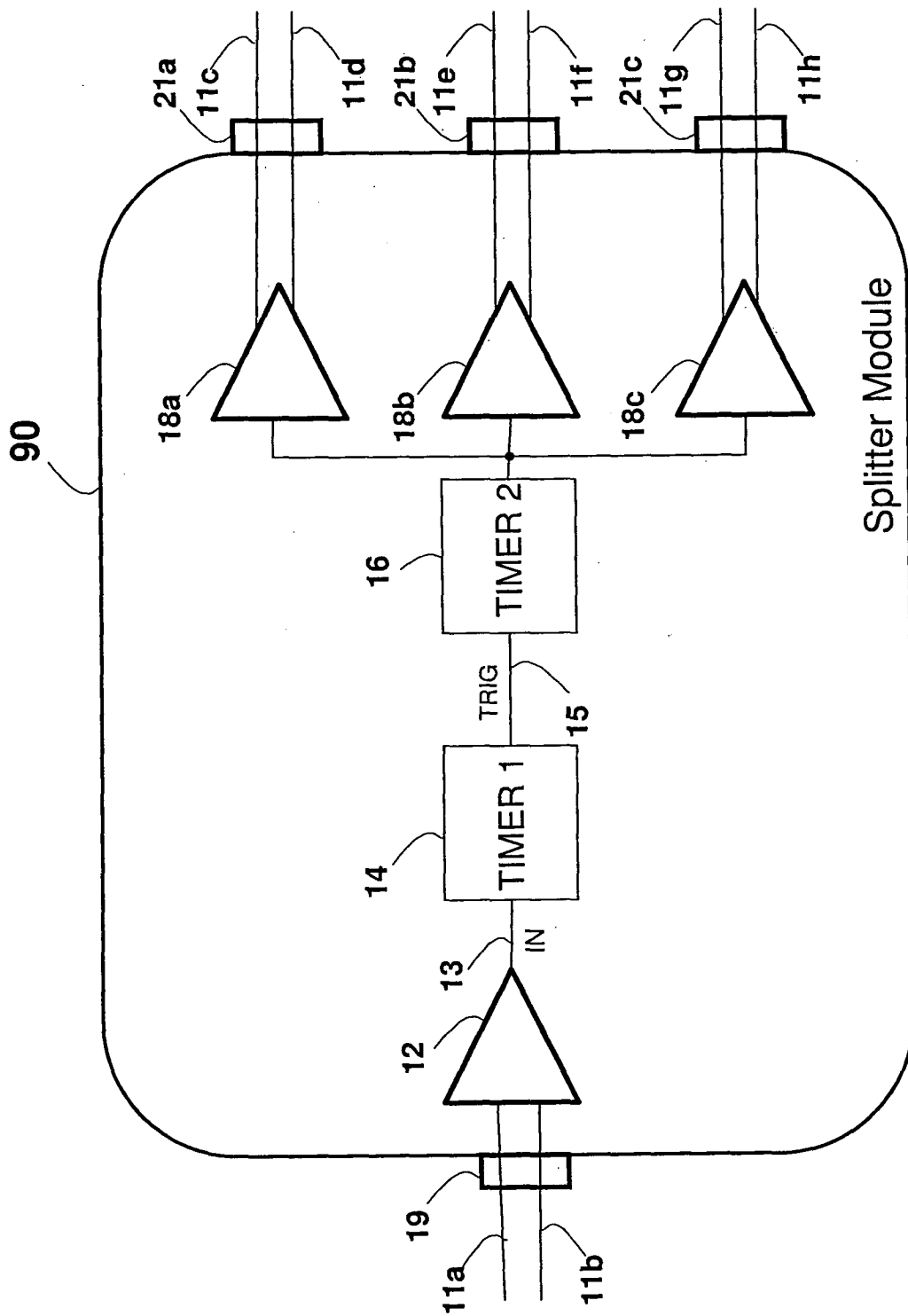


FIG. 9

15/156

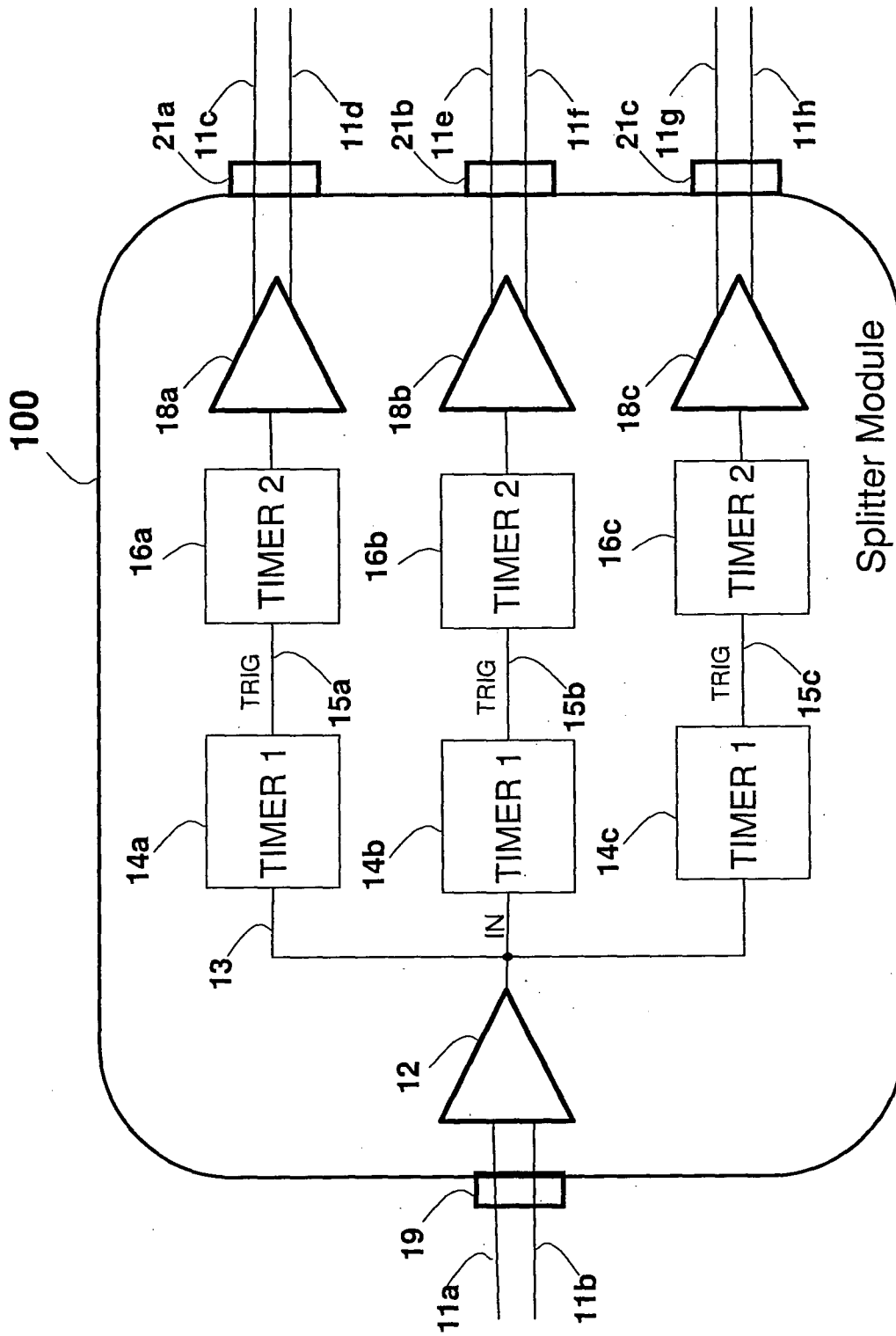


FIG. 10

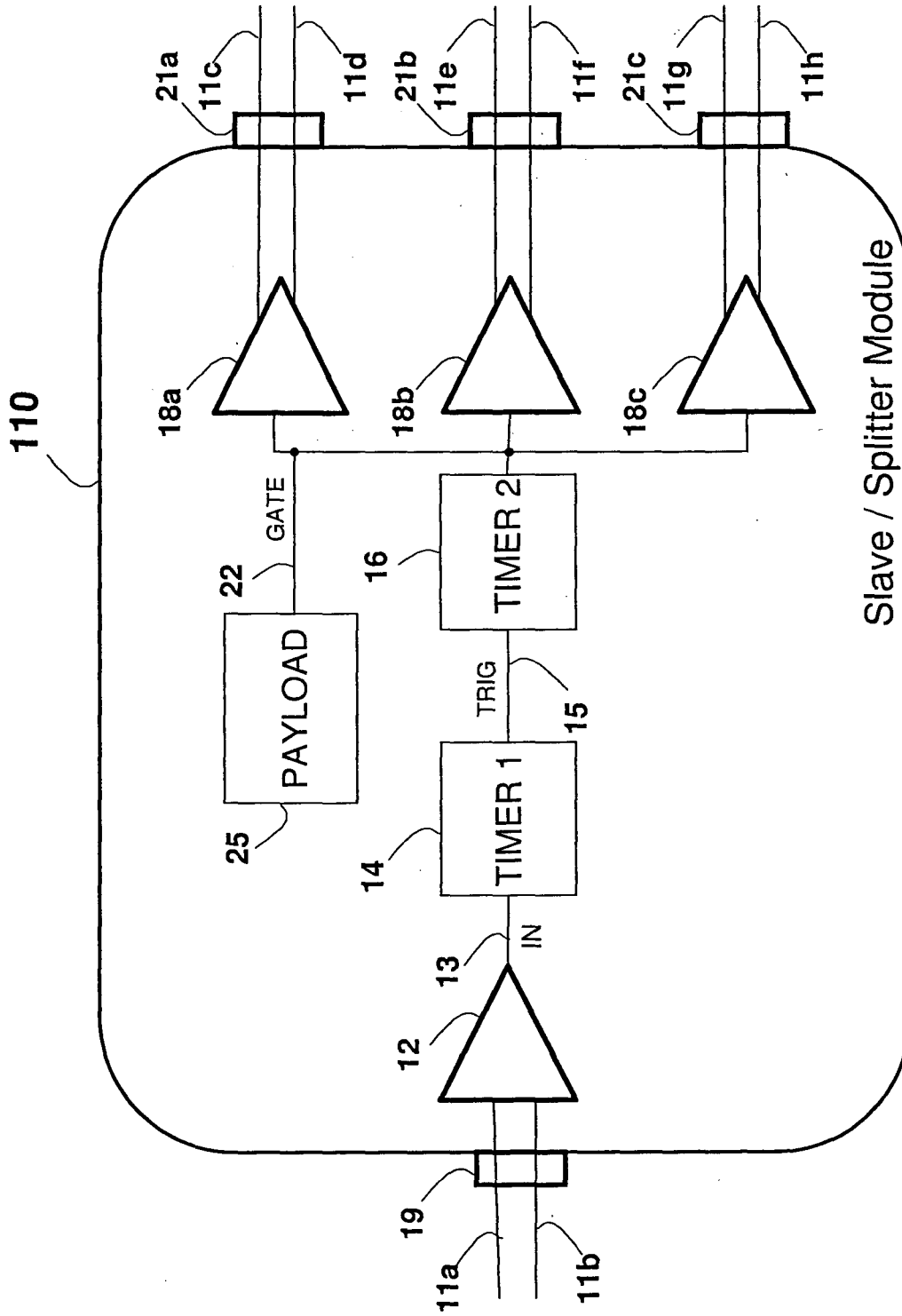


FIG. 11

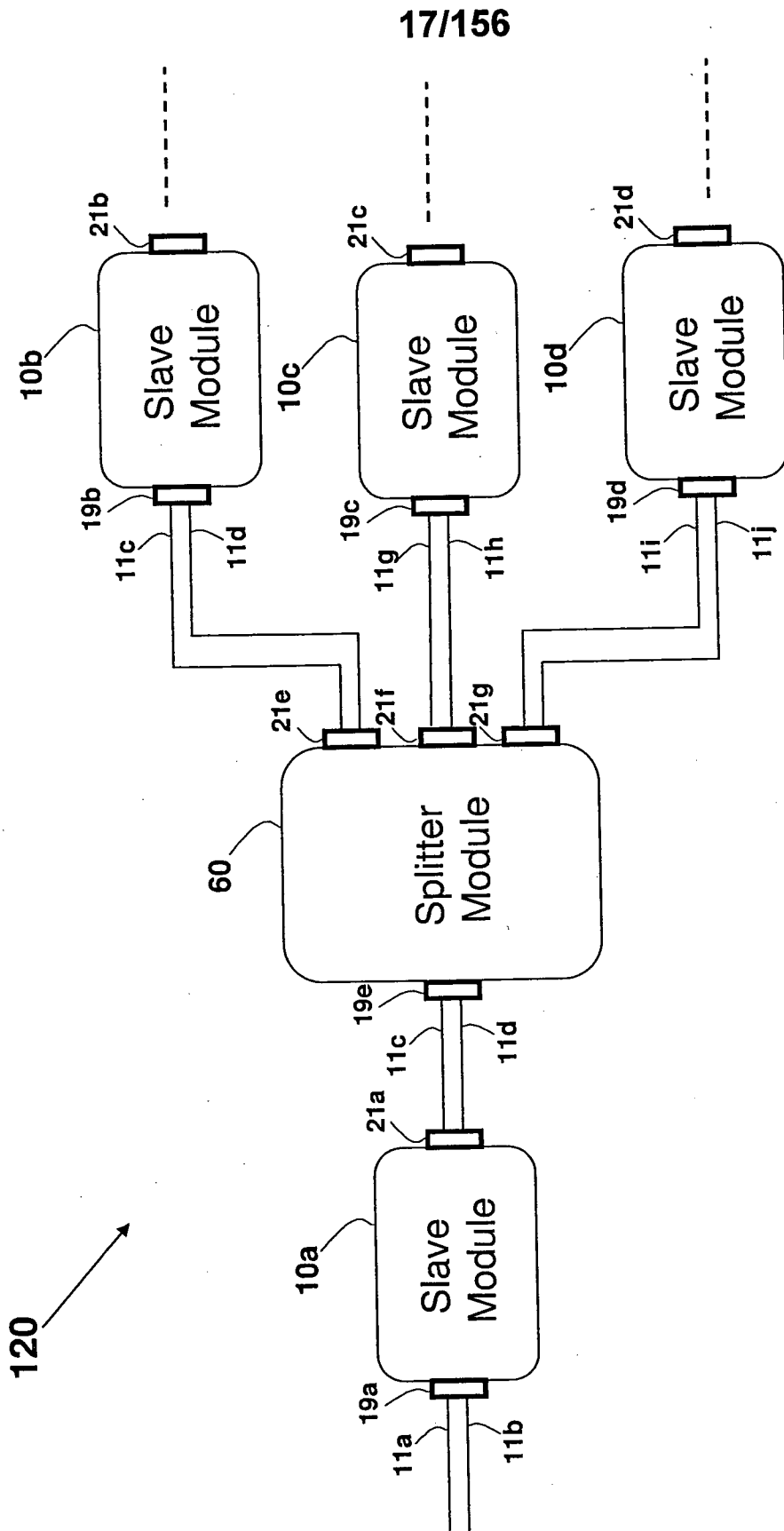


FIG. 12

18/156

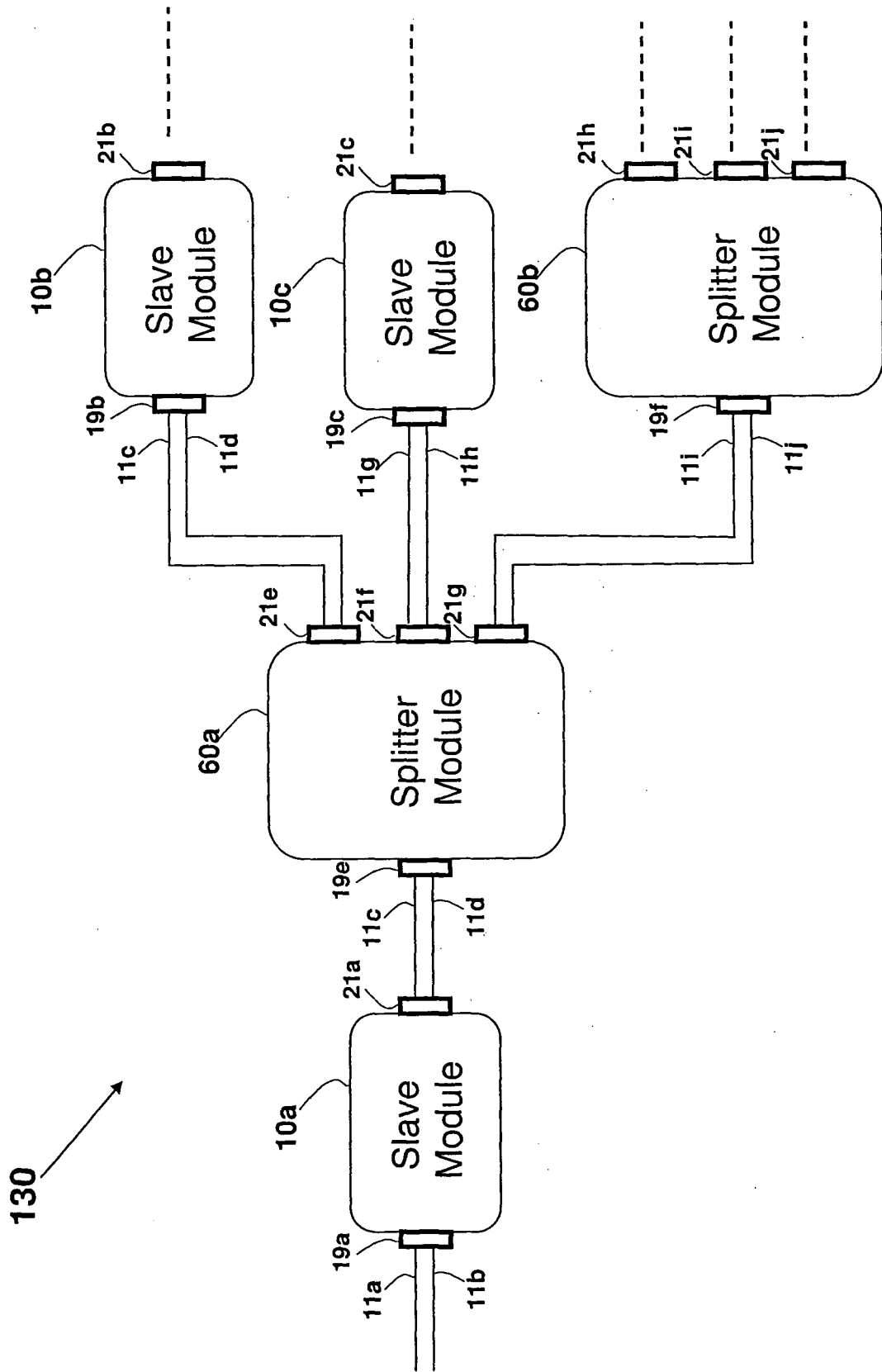


FIG. 13

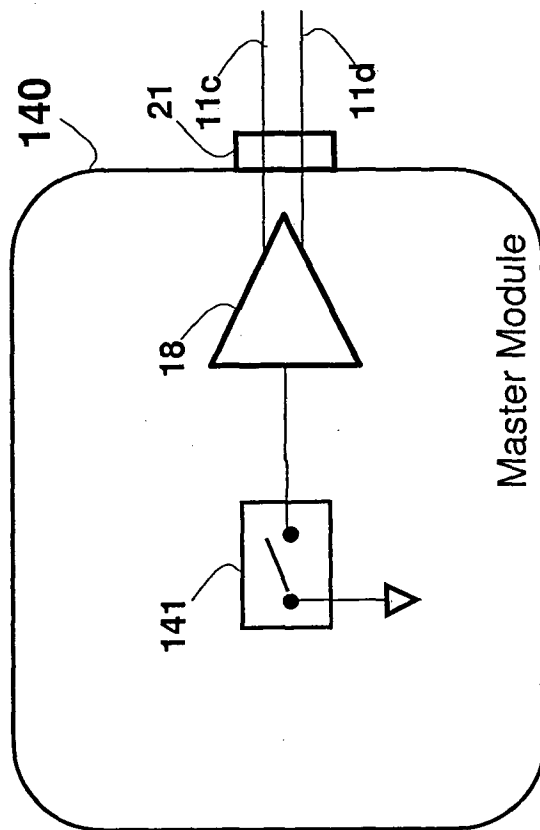


FIG. 14a

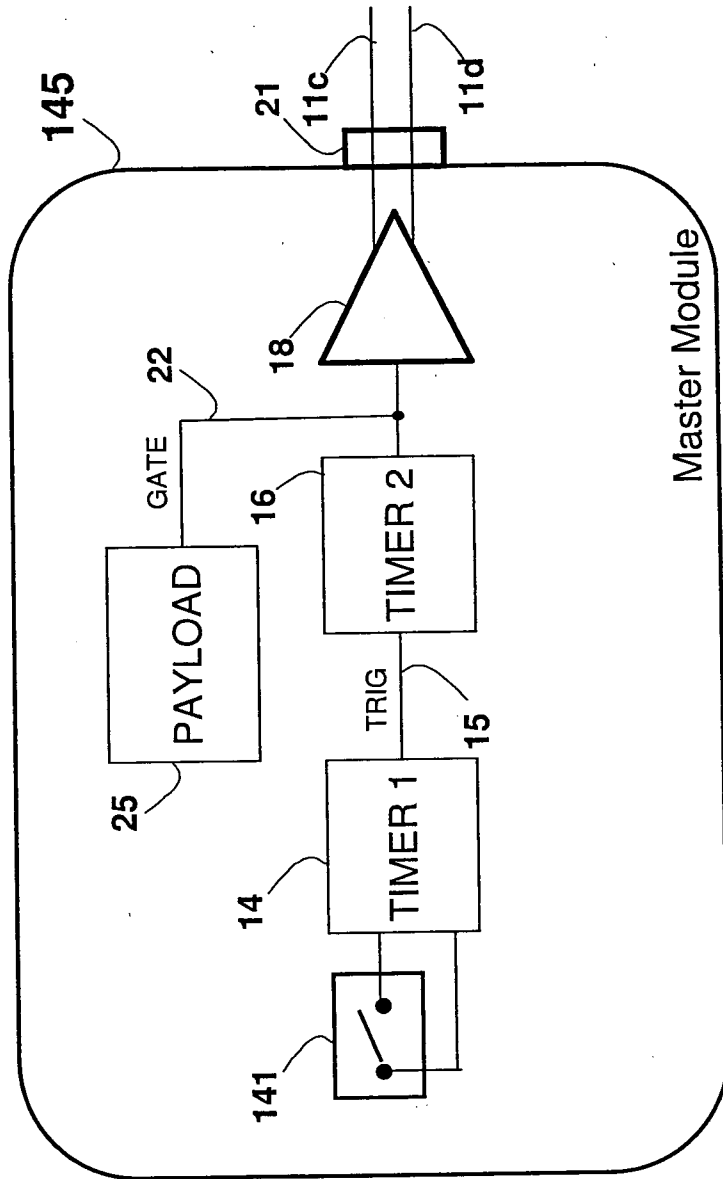


FIG. 14b

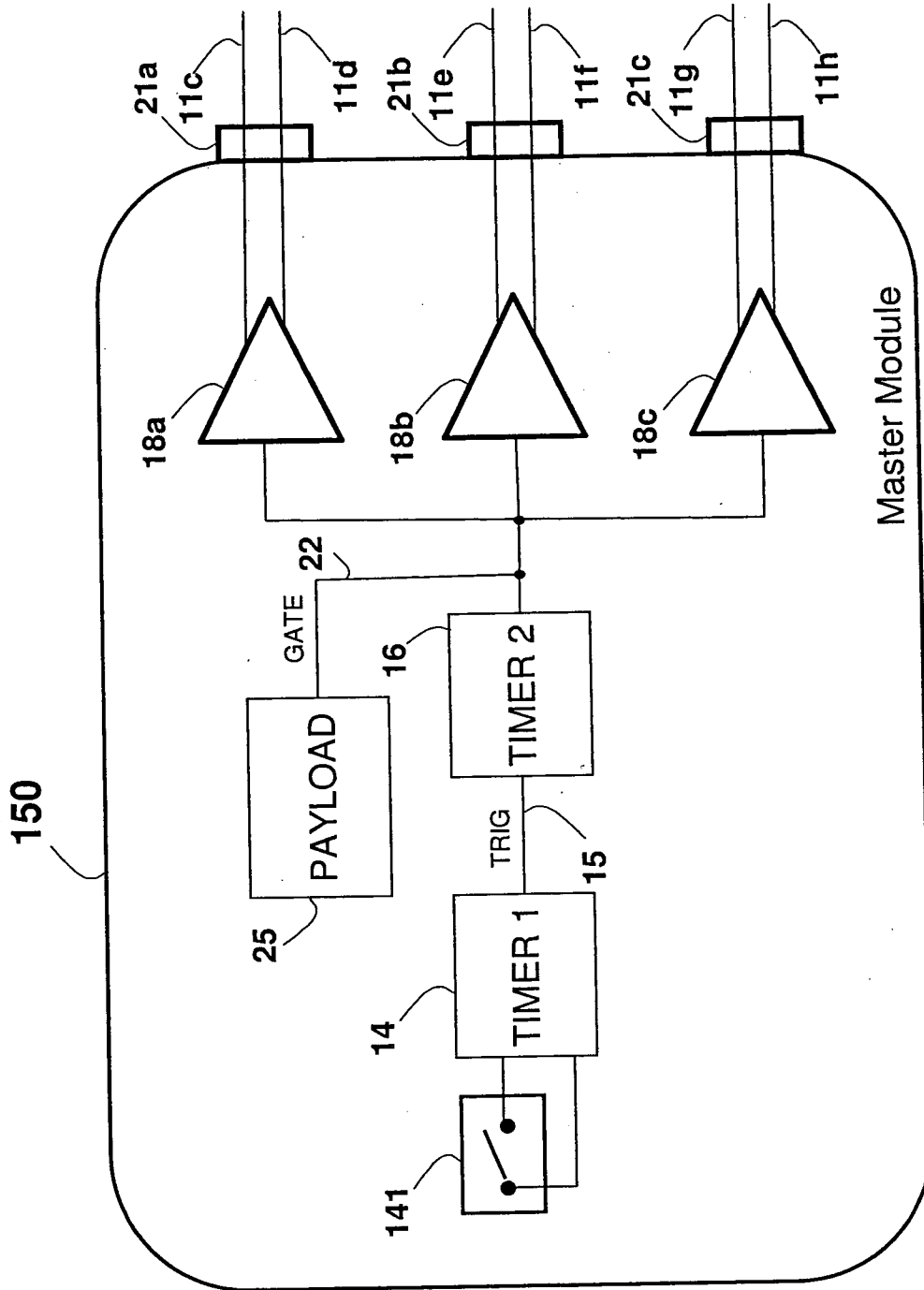


FIG. 15

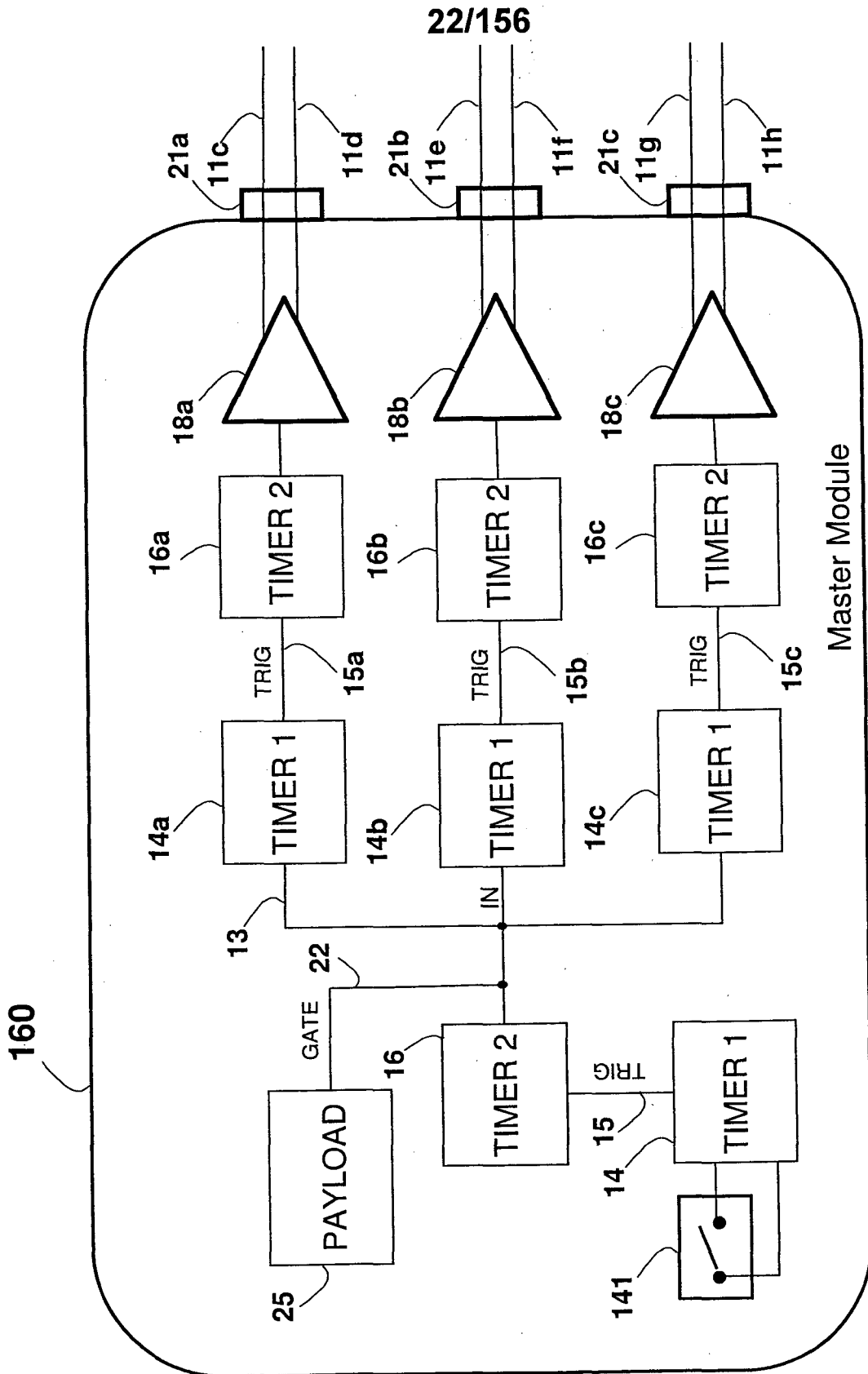


FIG. 16

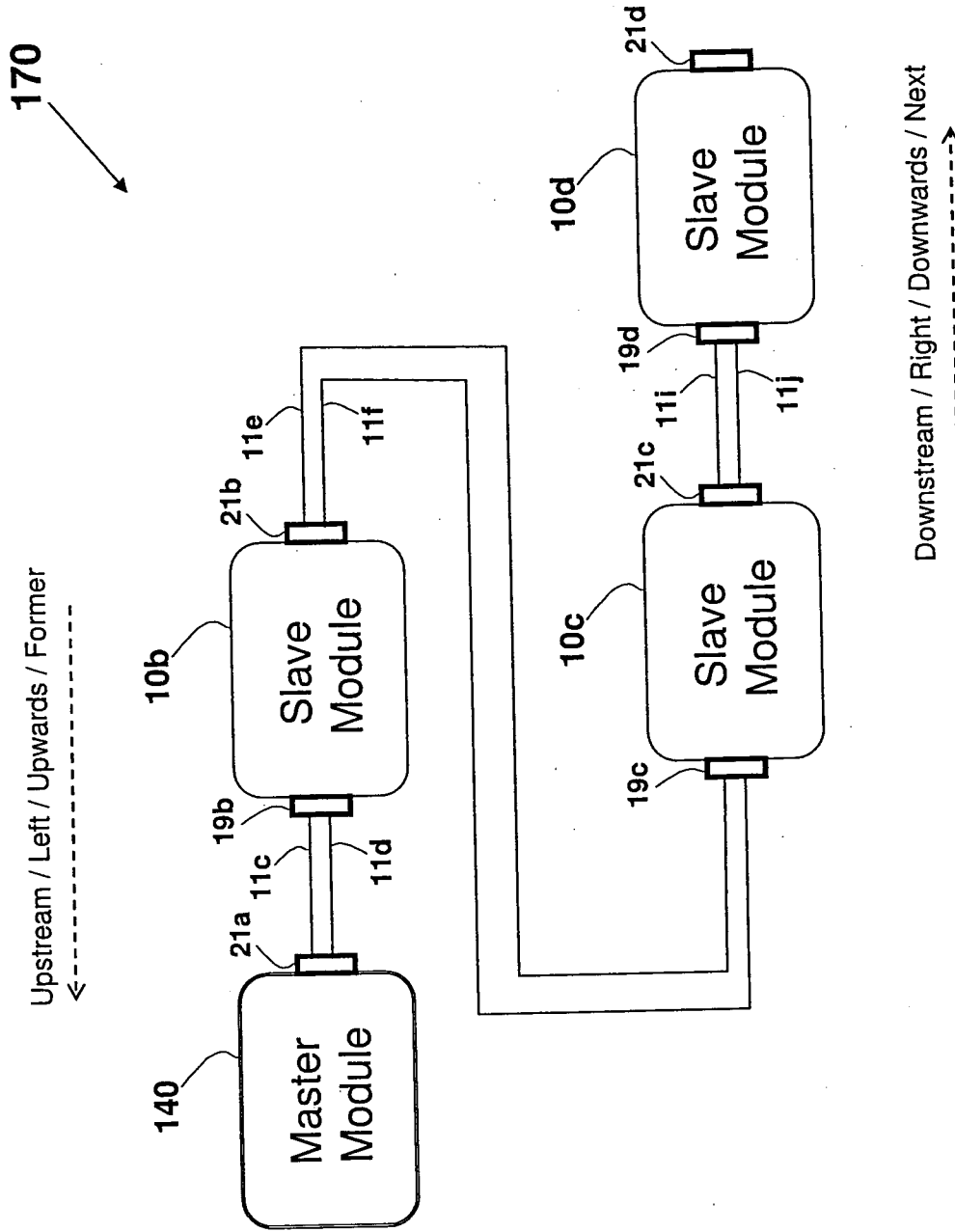


FIG. 17

24/156

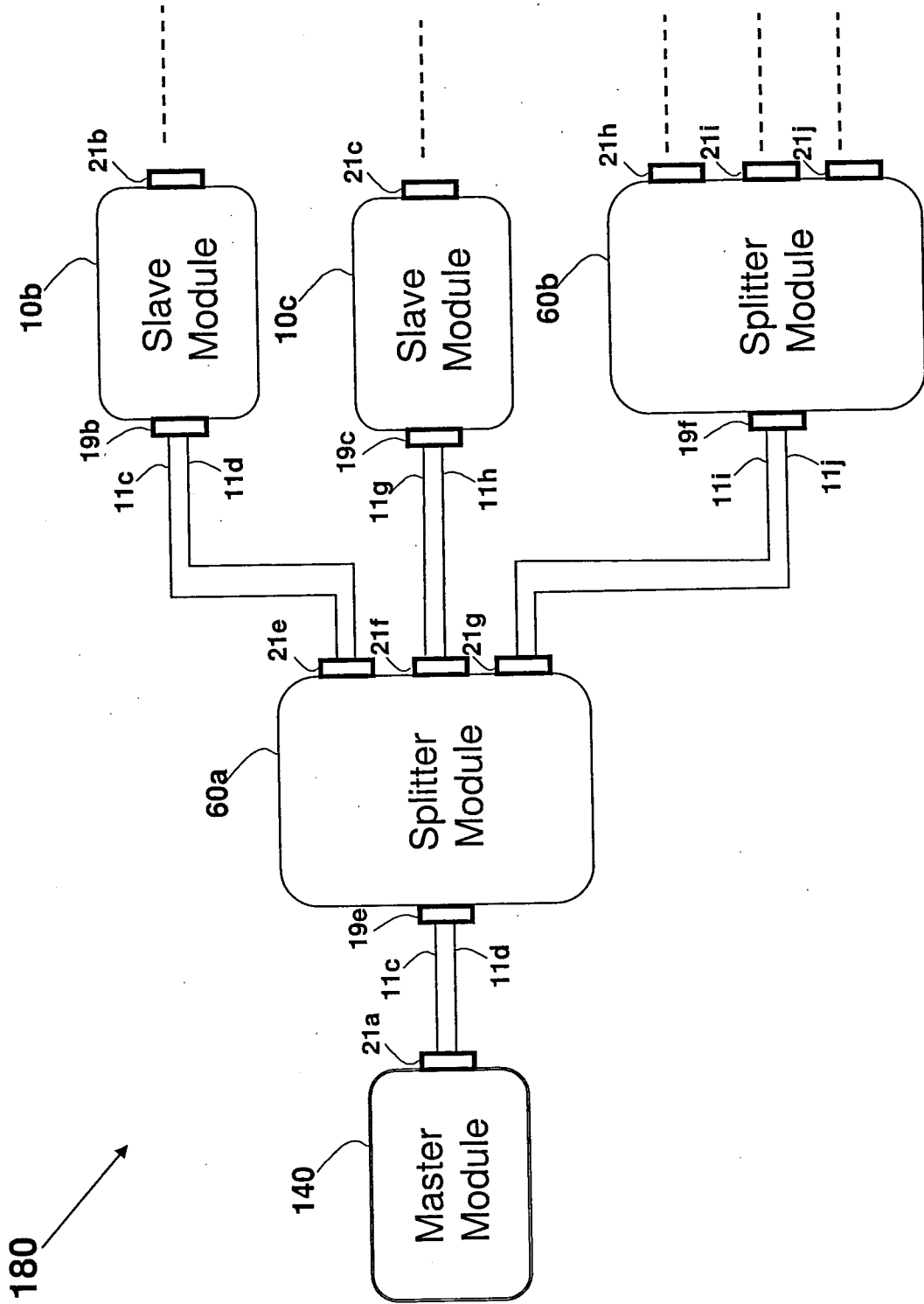


FIG. 18

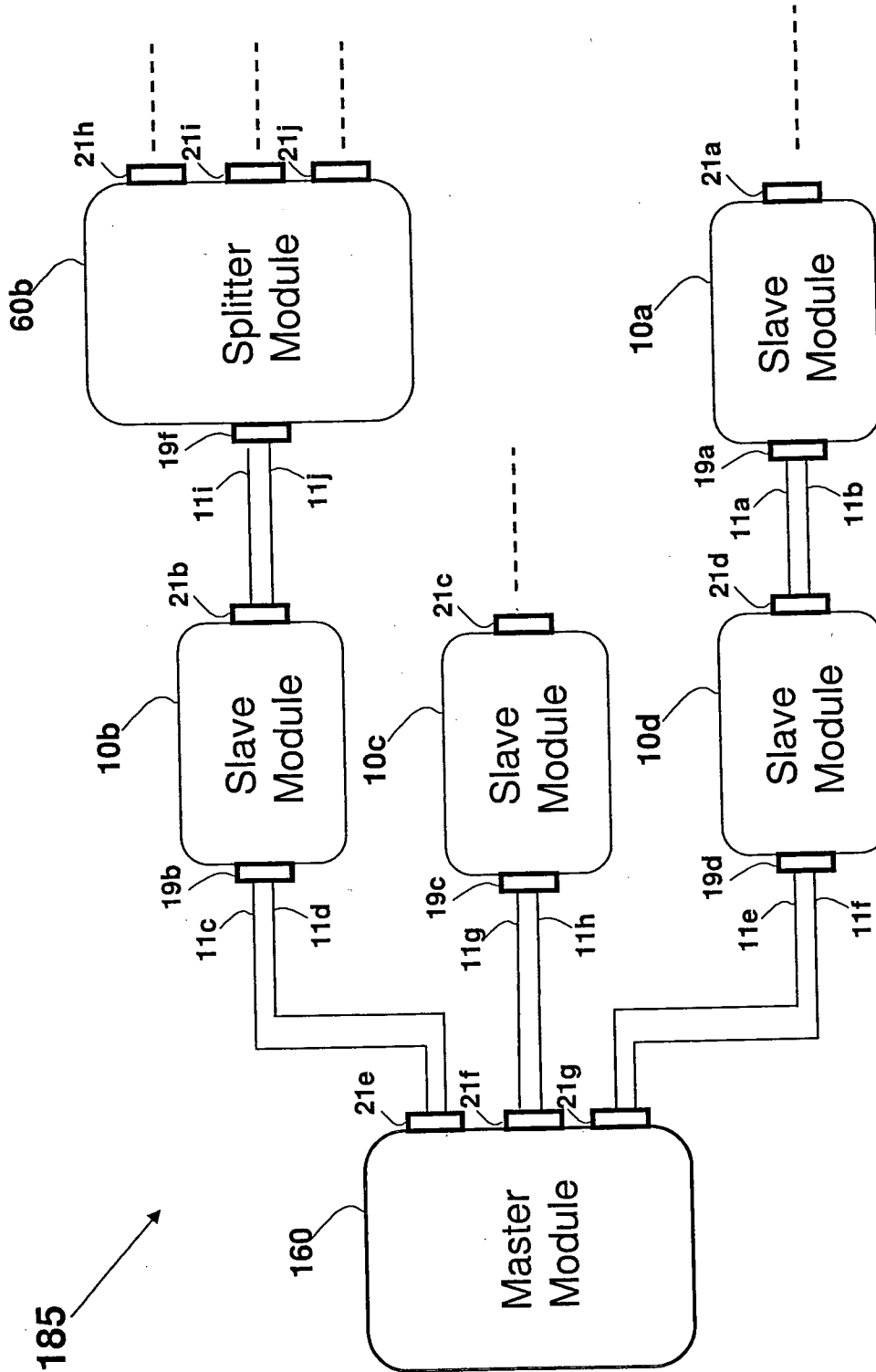


FIG. 18a

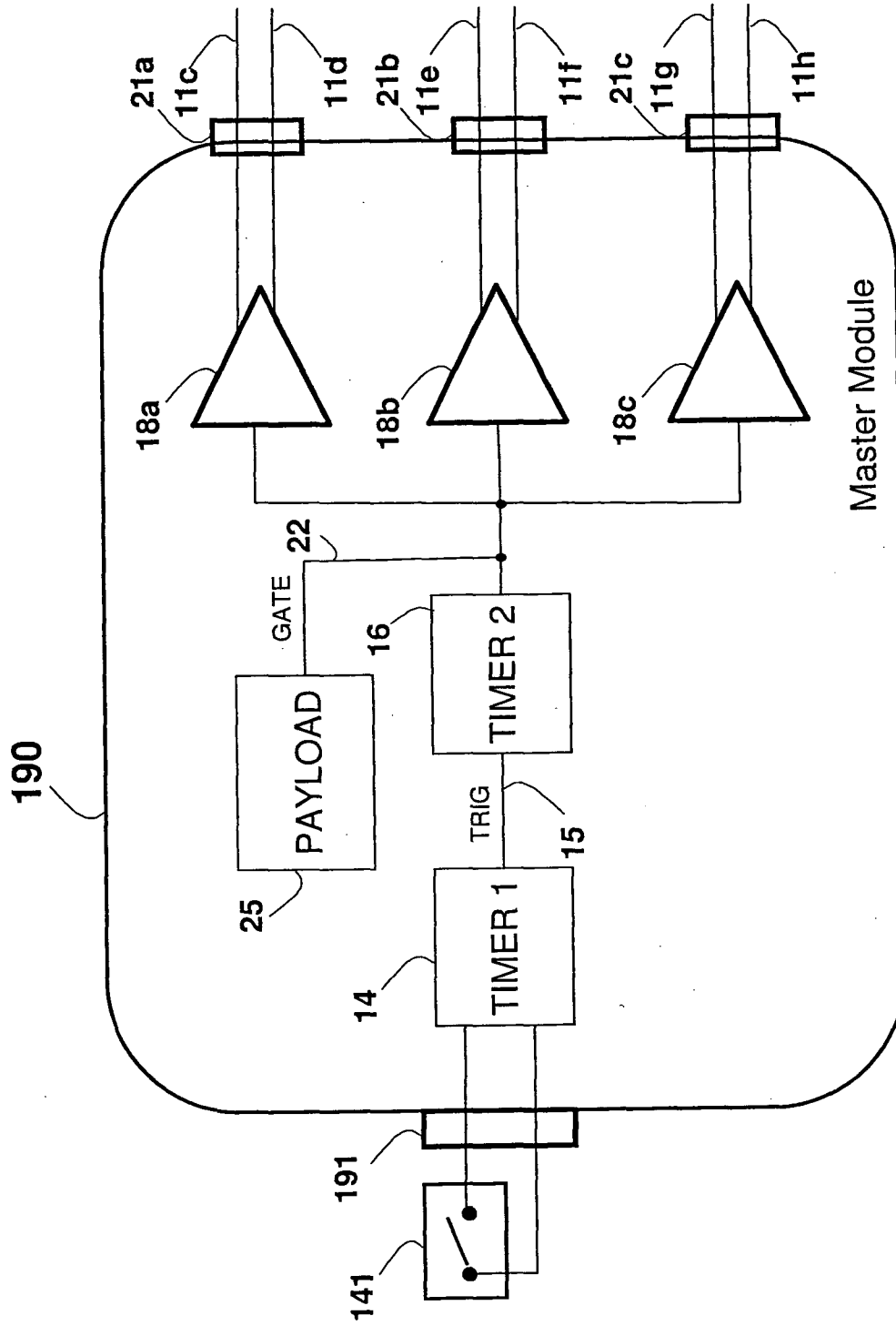


FIG. 19

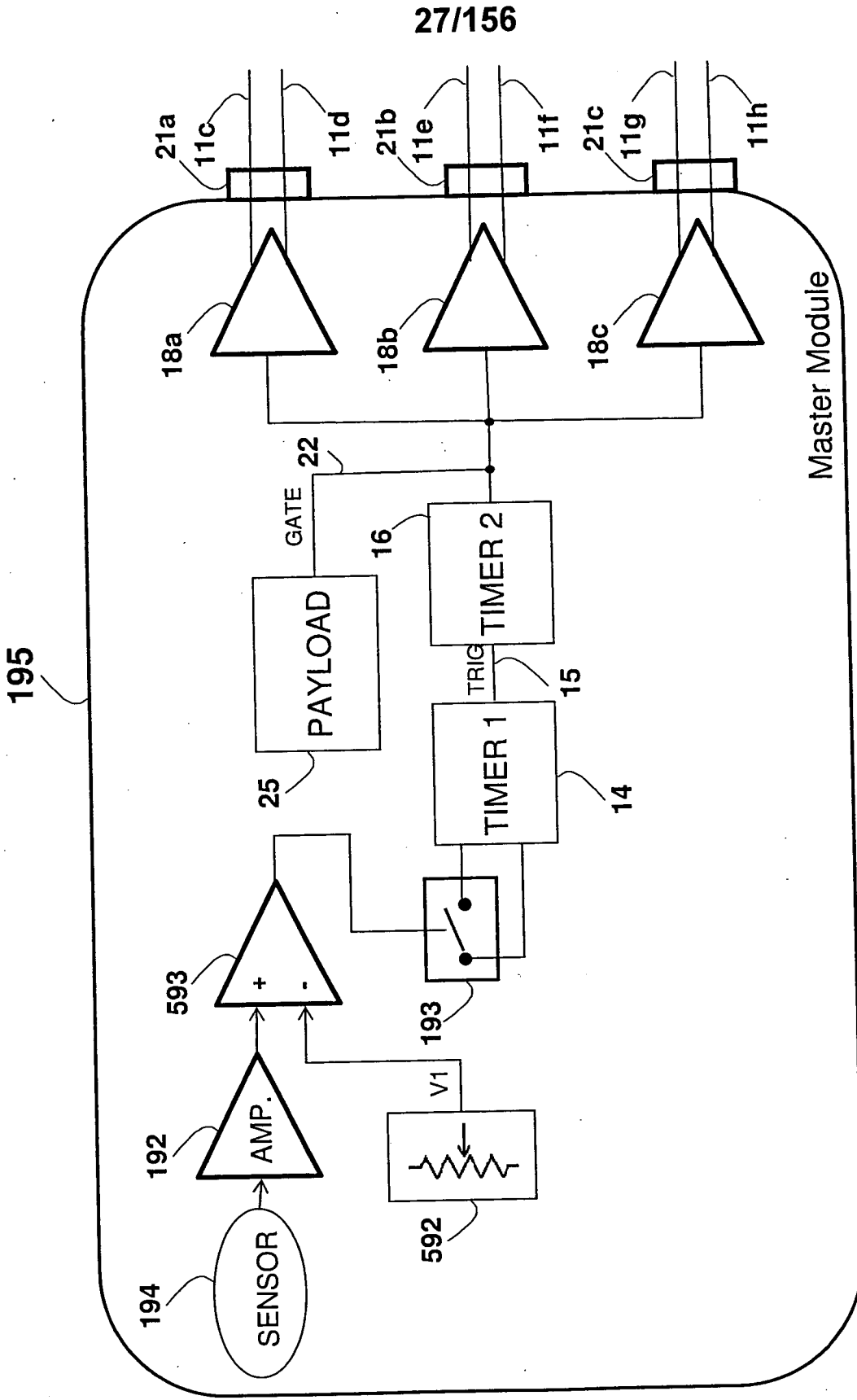


FIG. 19a

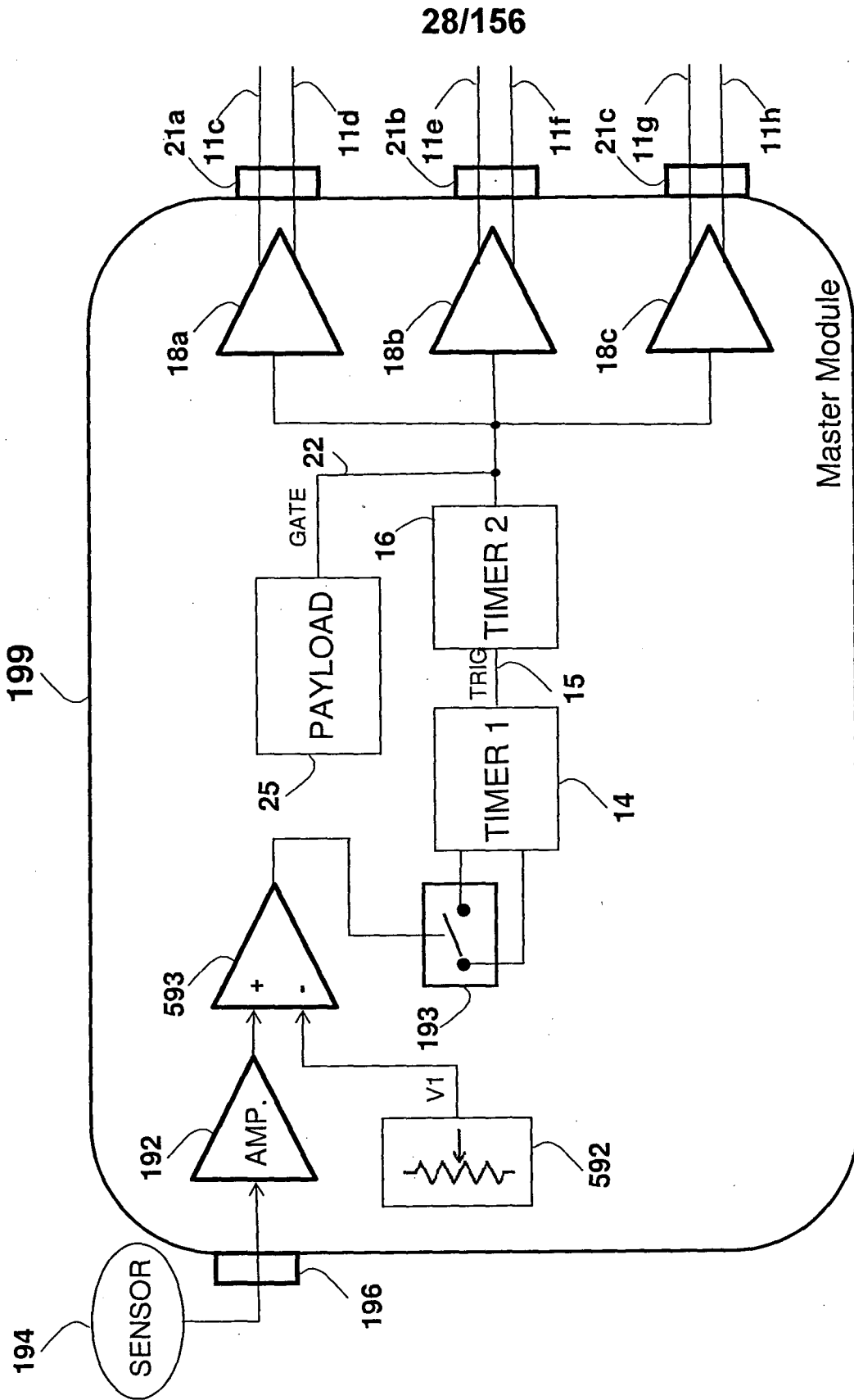


FIG. 19b

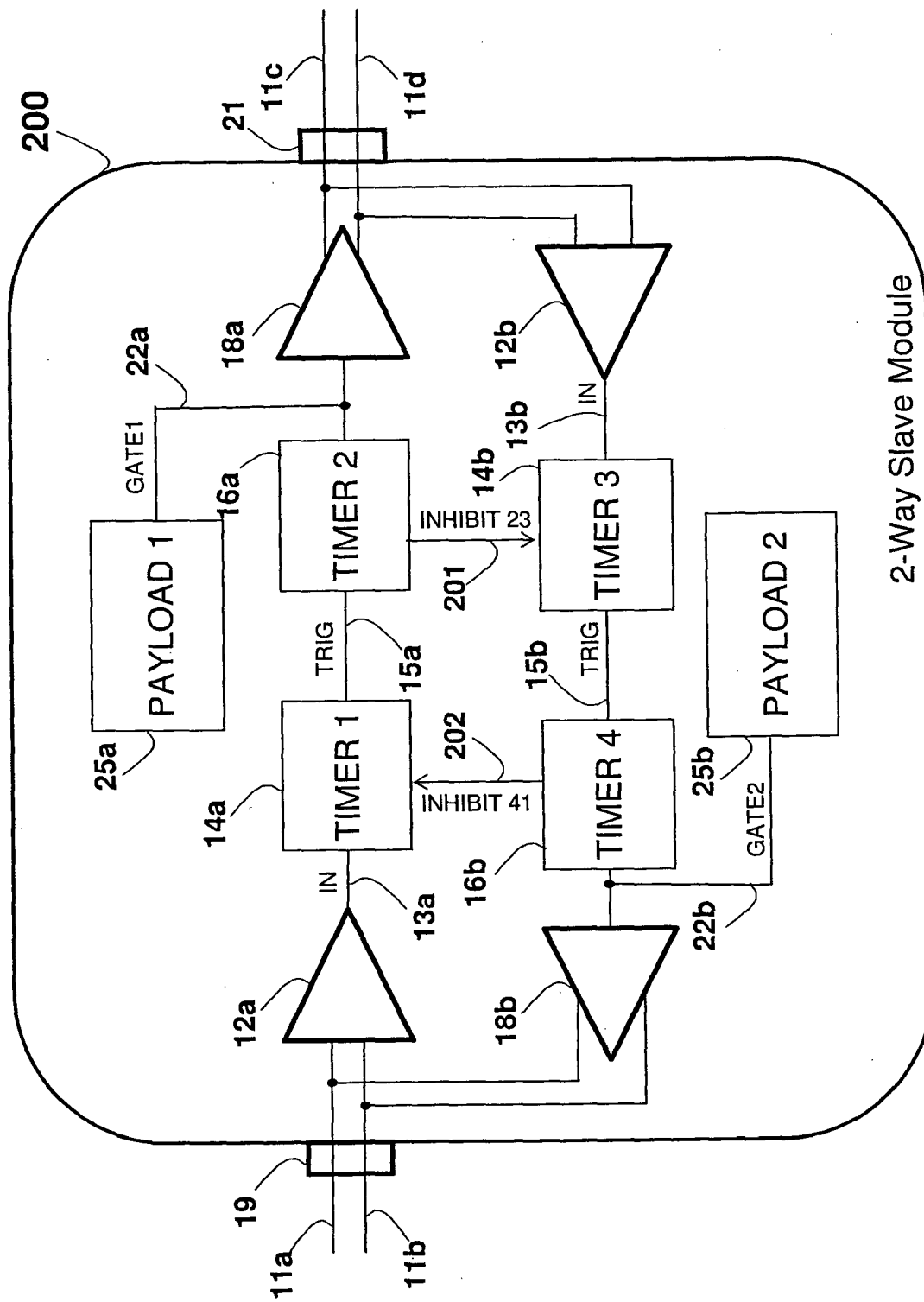


FIG. 20

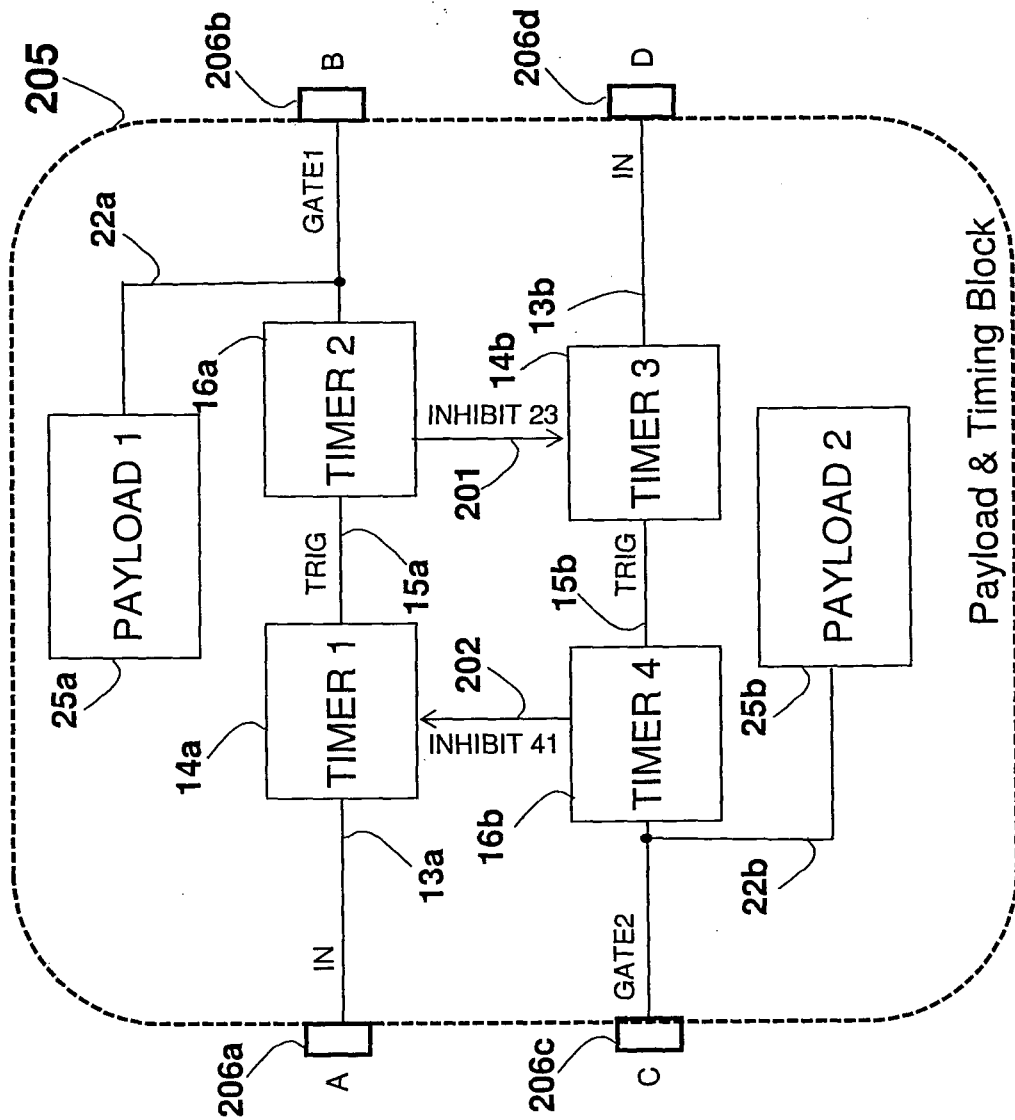


FIG. 20a

31/156

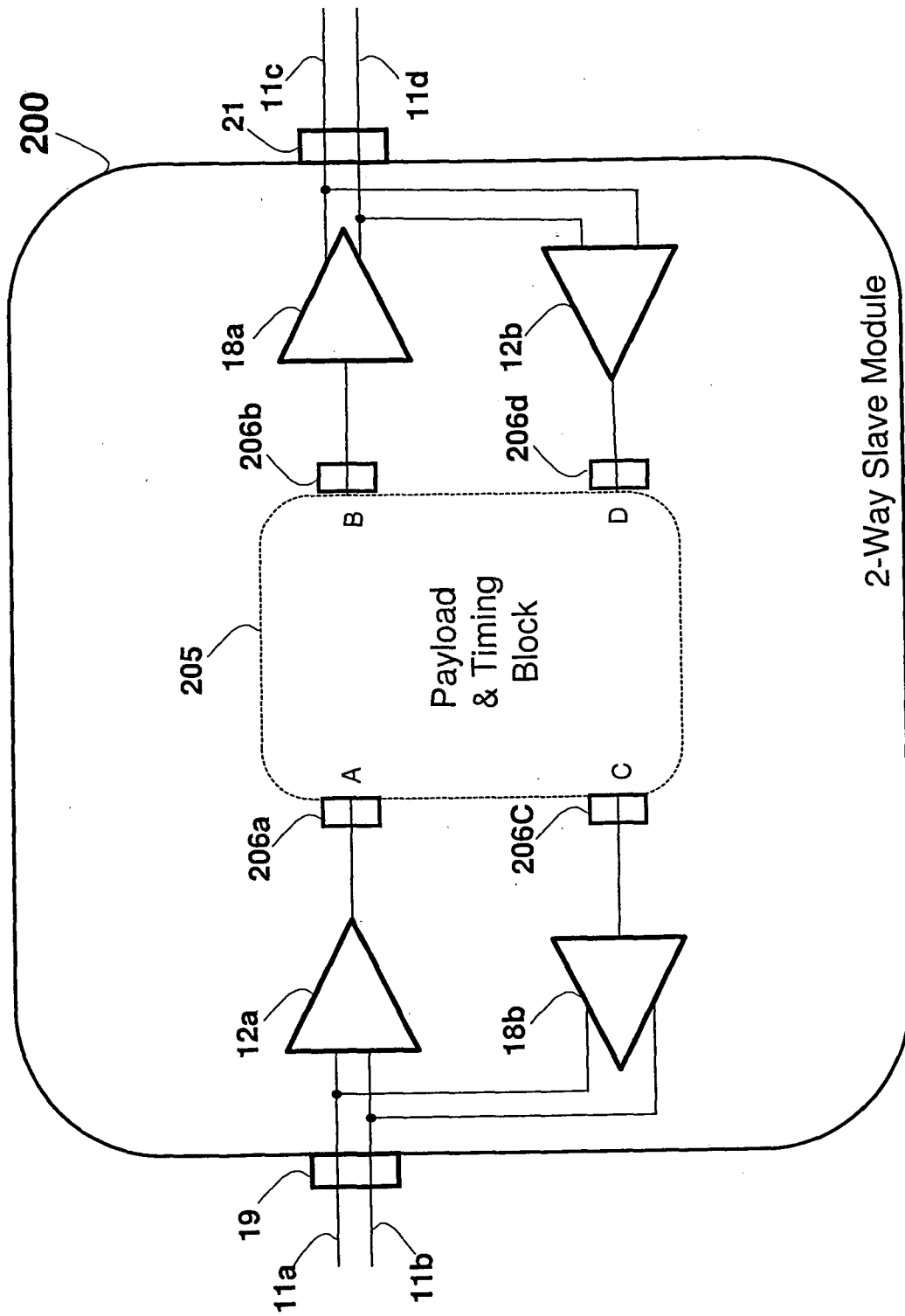


FIG. 20b

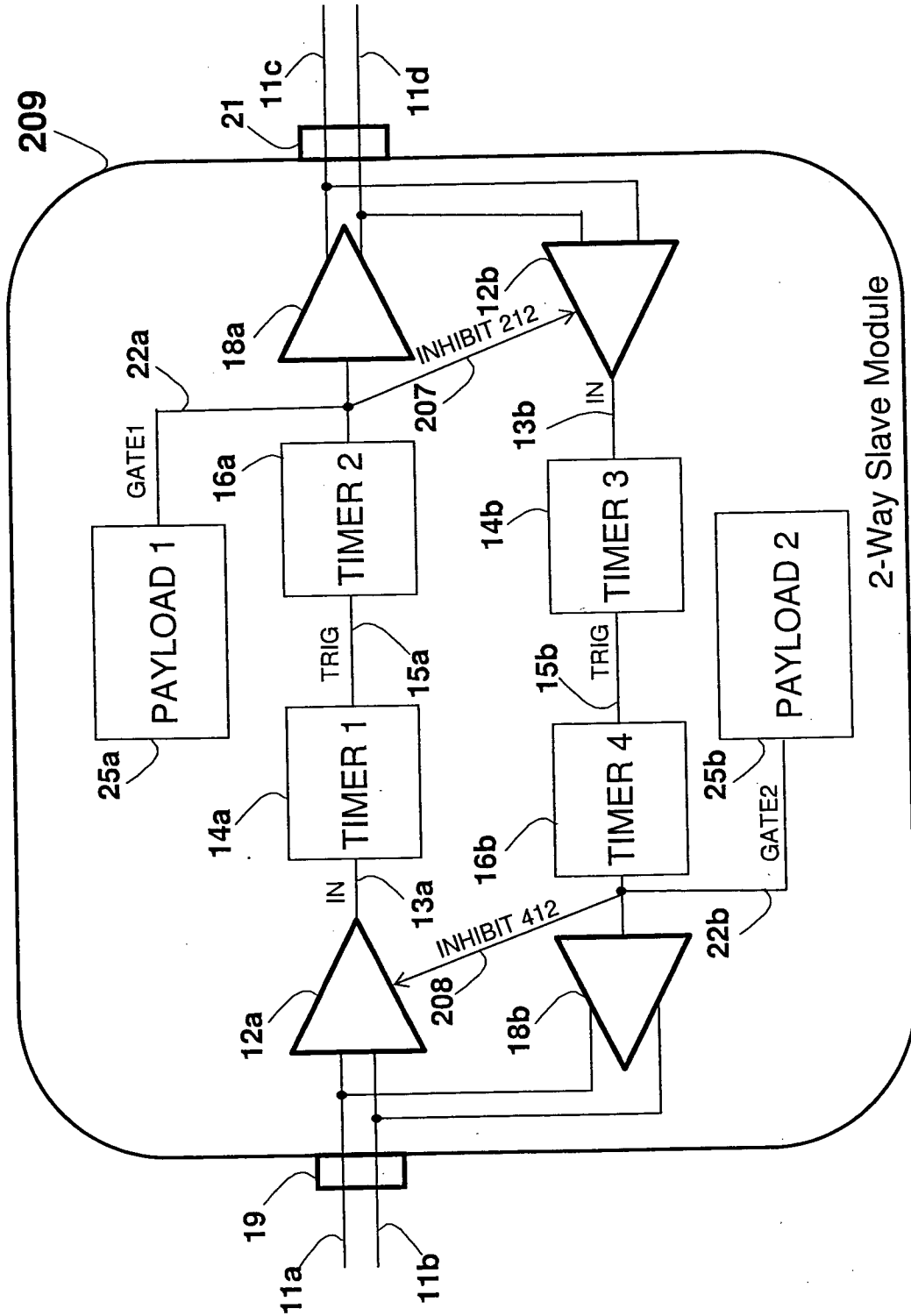


FIG. 20C

33/156

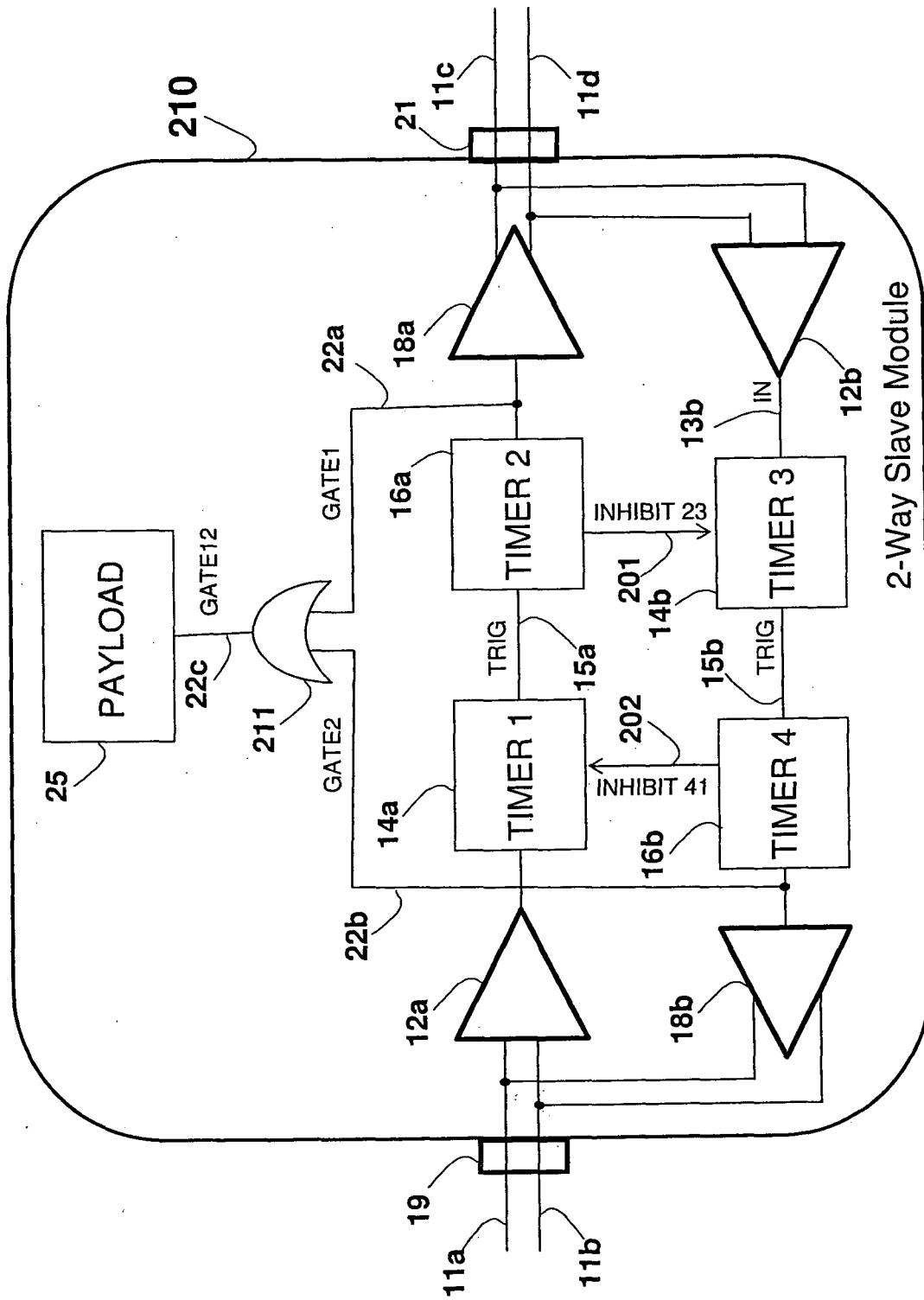


FIG. 21

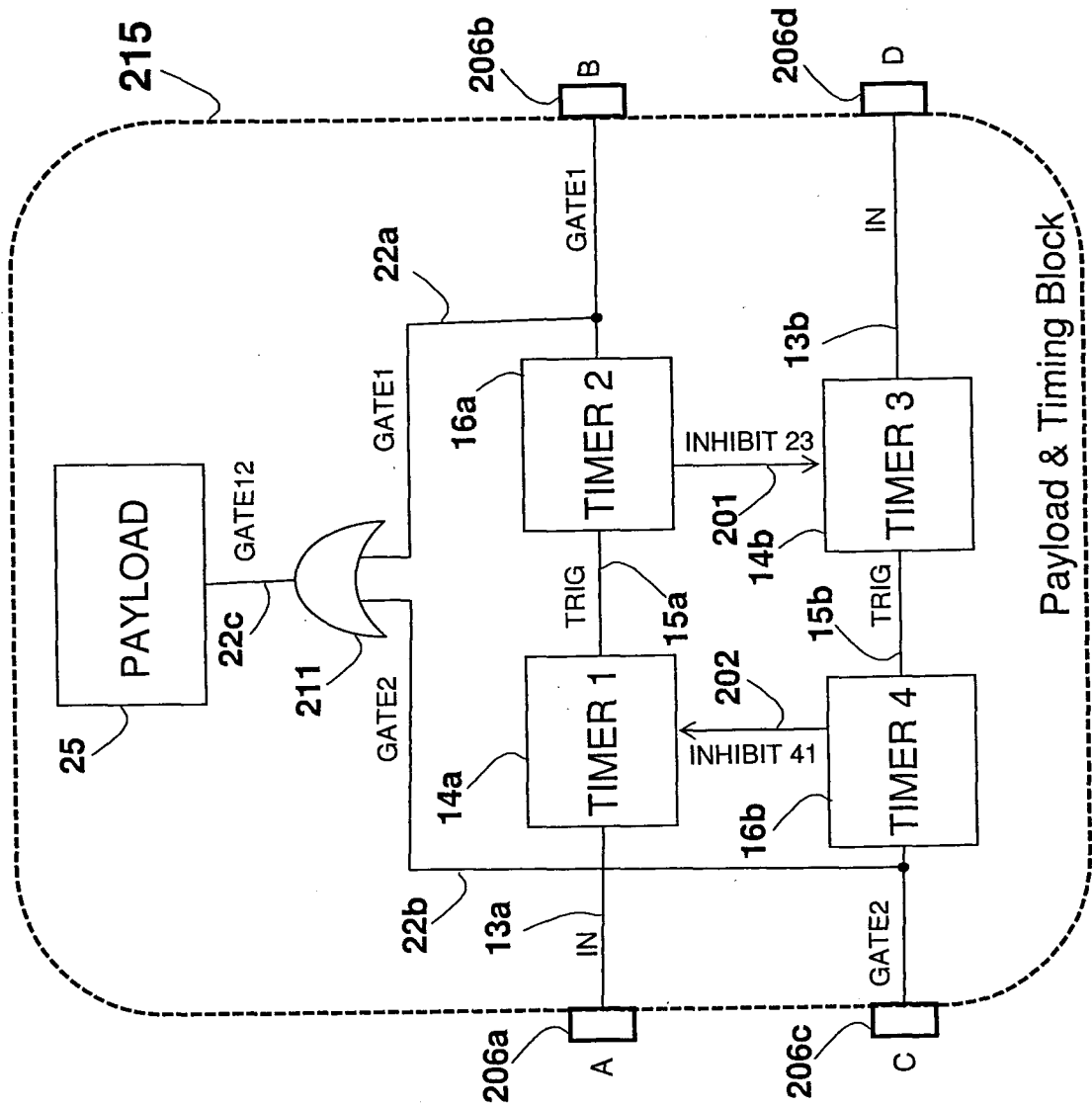


FIG. 21a

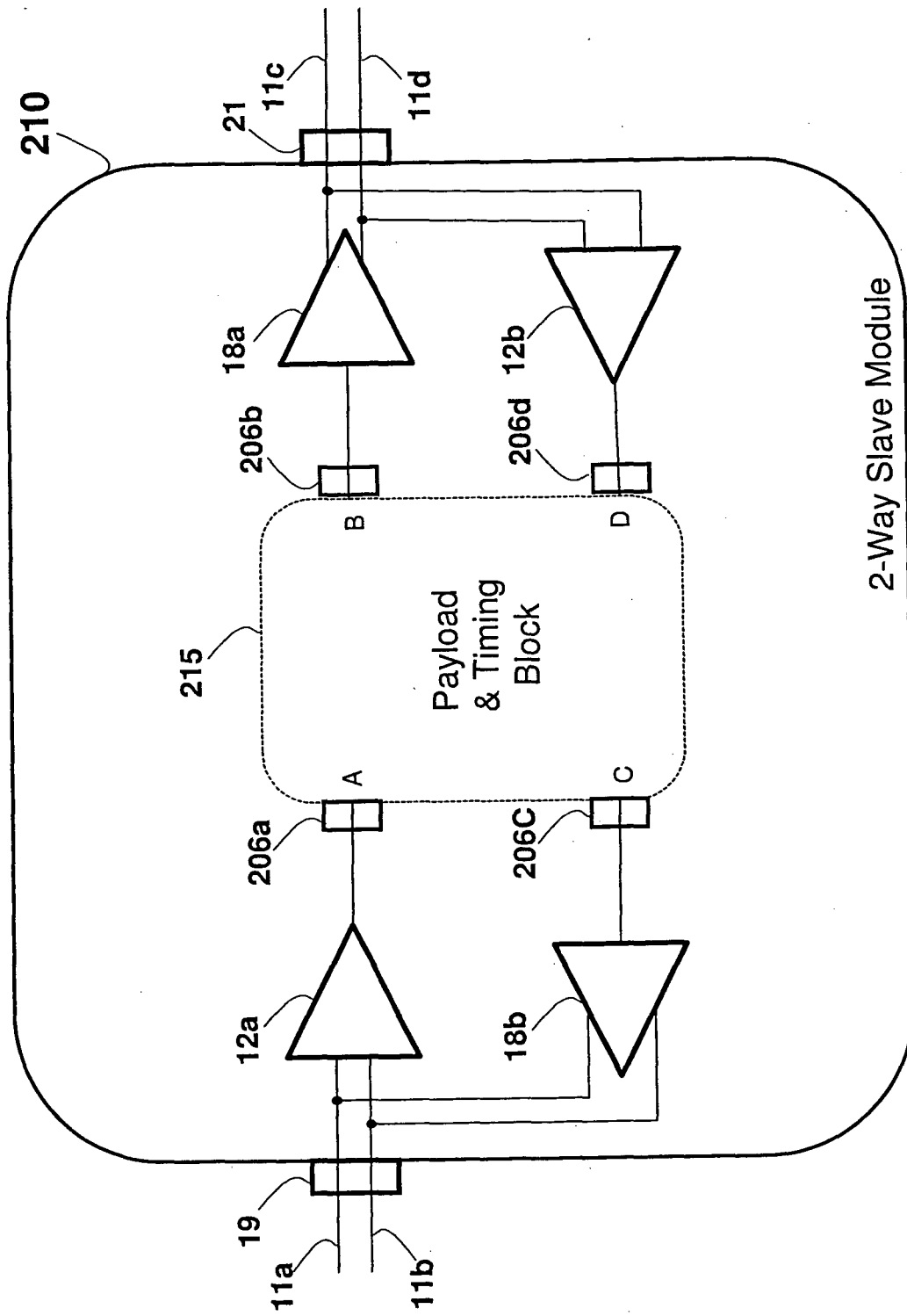


FIG. 21b

36/156

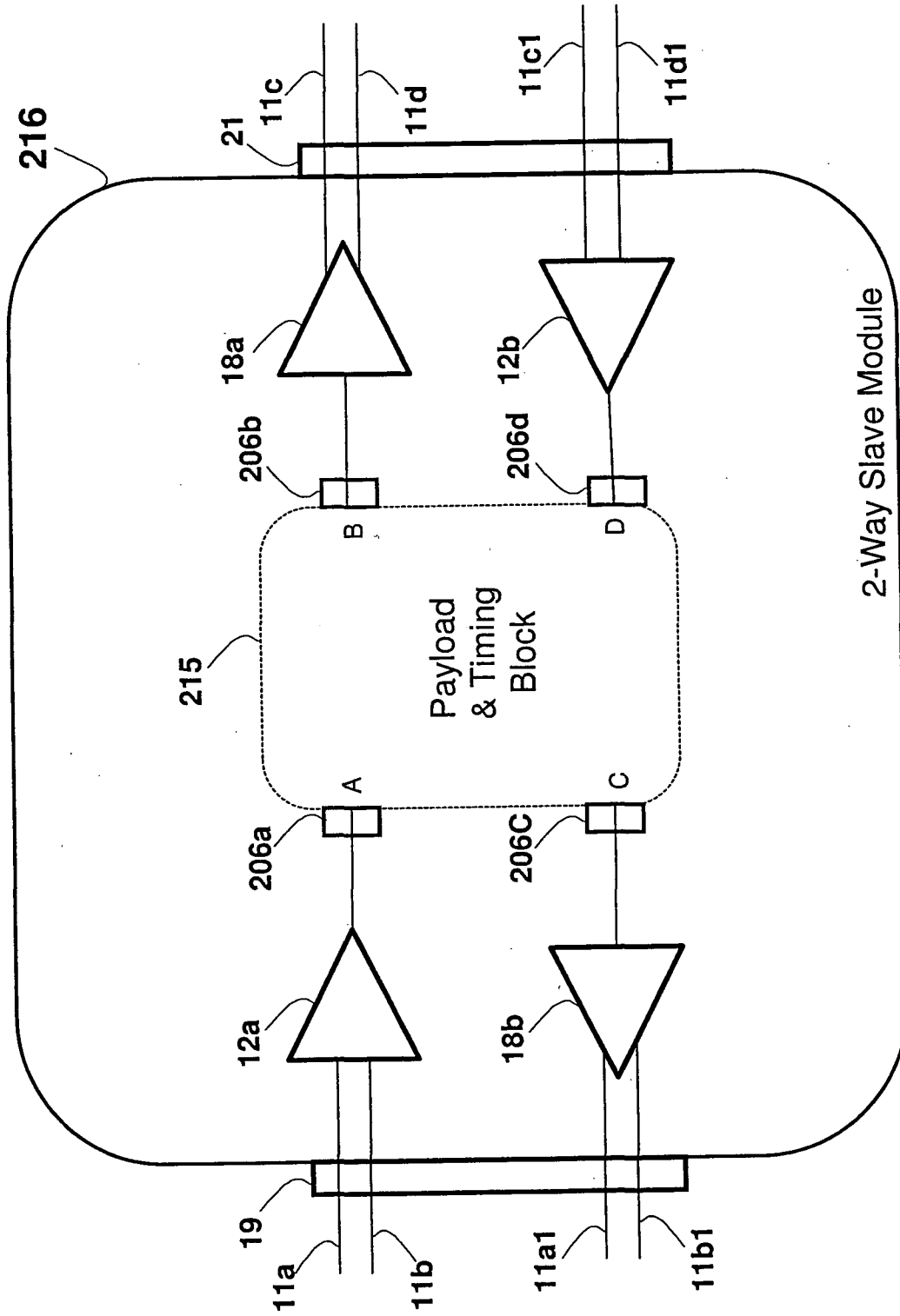


FIG. 21C

37/156

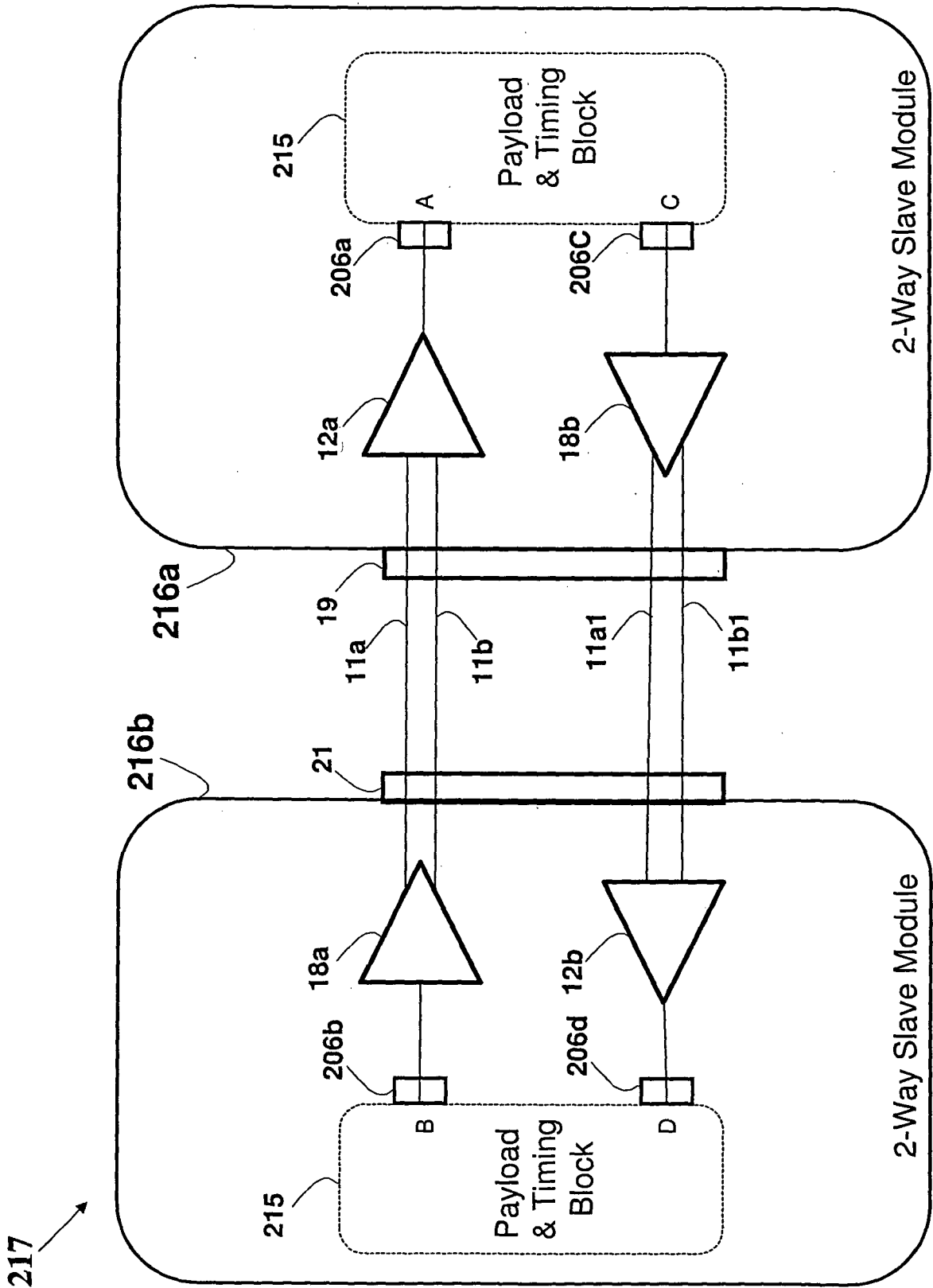


FIG. 21d

38/156

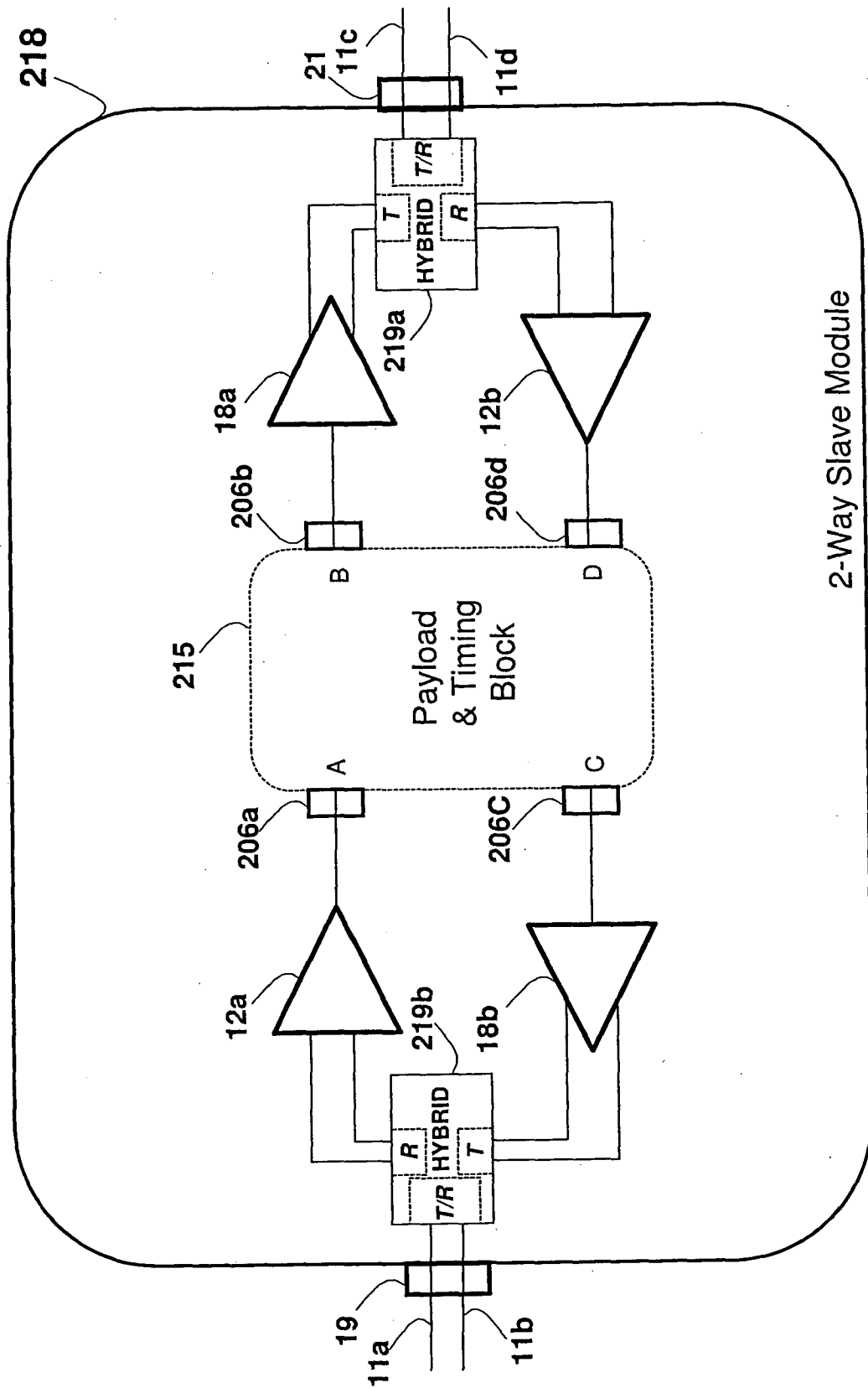


FIG. 21e

39/156

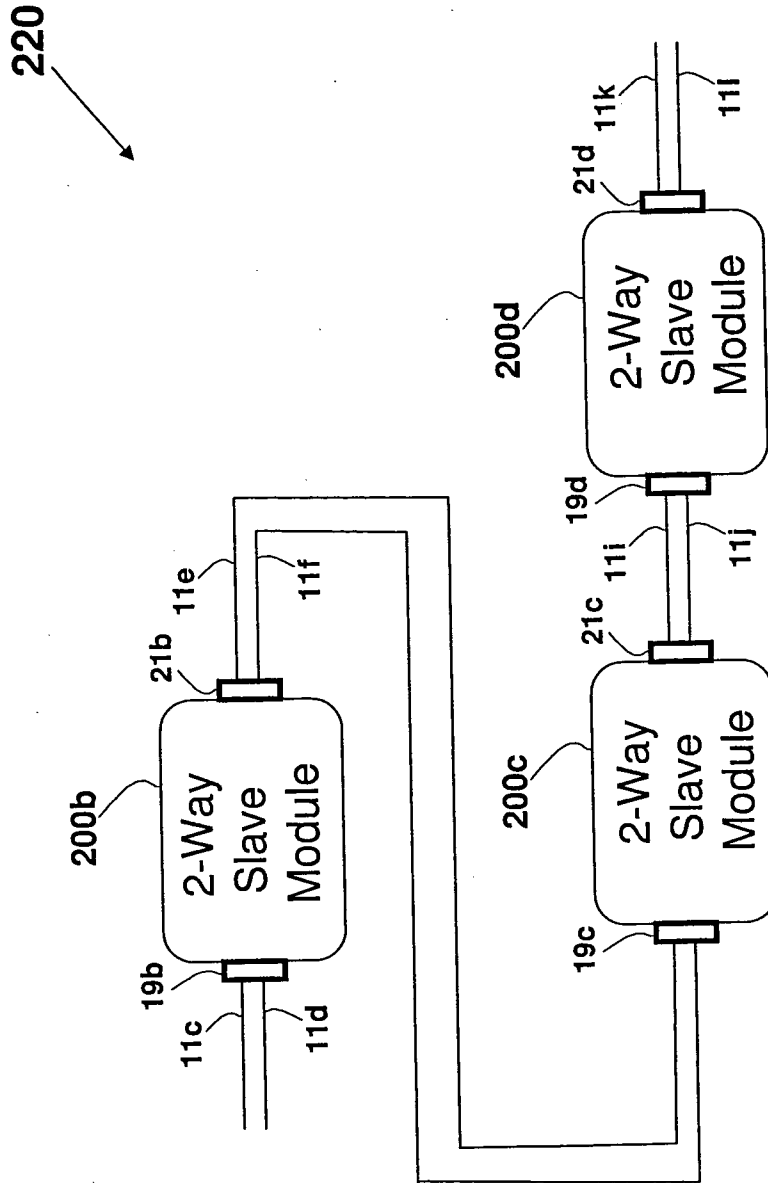


FIG. 22

40/156

221

62a → 62c → 62d → 62e →

	#1	#2	#3
61a →	OFF	OFF	OFF
61b →	ON	OFF	OFF
61c →	OFF	ON	OFF
61d →	OFF	OFF	ON
61e →	OFF	OFF	OFF
61f →	OFF	OFF	ON
61g →	OFF	ON	OFF
61h →	ON	OFF	OFF
61i →	OFF	OFF	OFF
61j →	OFF	OFF	OFF

FIG. 22a

222

	62a	62c	62d	62e
61a	→	→	→	→
61b	→	→	→	→
61c	→	→	→	→
61d	→	→	→	→
61e	→	→	→	→
61f	→	→	→	→
61g	→	→	→	→
61h	→	→	→	→
61i	→	→	→	→
61j	→	→	→	→

TIME	#1	#2	#3
0	OFF	OFF	OFF
1	ON1	OFF	OFF
2	ON1	ON1	OFF
3	ON1	ON1	ON1
4	ON1	ON1	ON1
5	ON1	ON1	ON12
6	ON1	ON12	ON12
7	ON12	ON12	ON12
8	ON12	ON12	ON12
9	ON12	ON12	ON12

FIG. 22b

42/156

223

62a → 62c → 62d → 62e →

TIME	#1	#2	#3
0	OFF	OFF	OFF
1	ON	OFF	OFF
2	ON	ON	OFF
3	ON	ON	ON
4	ON	ON	ON
5	ON	ON	OFF
6	ON	OFF	OFF
7	OFF	OFF	OFF
8	OFF	OFF	OFF
9	OFF	OFF	OFF

61a → 61b → 61c → 61d → 61e → 61f → 61g → 61h → 61i → 61j →

FIG. 22C

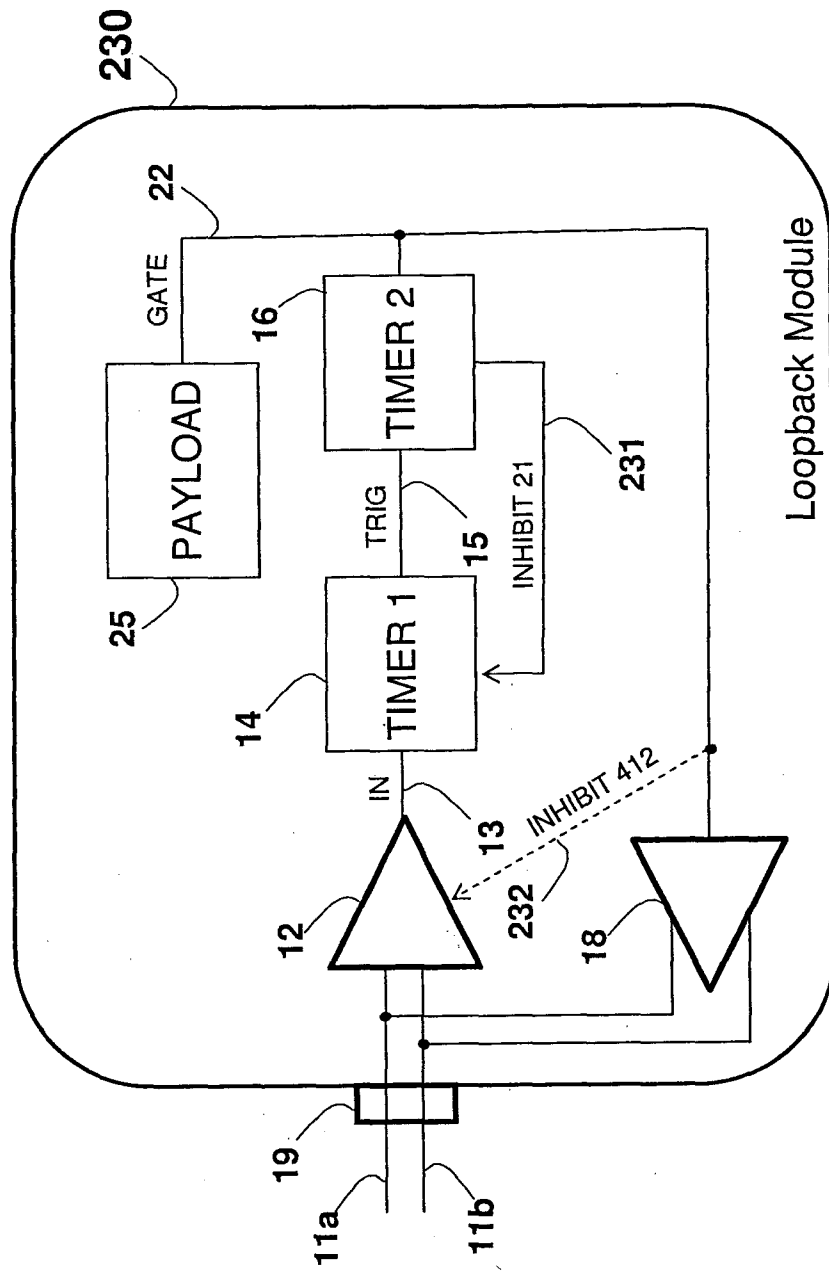


FIG. 23

240

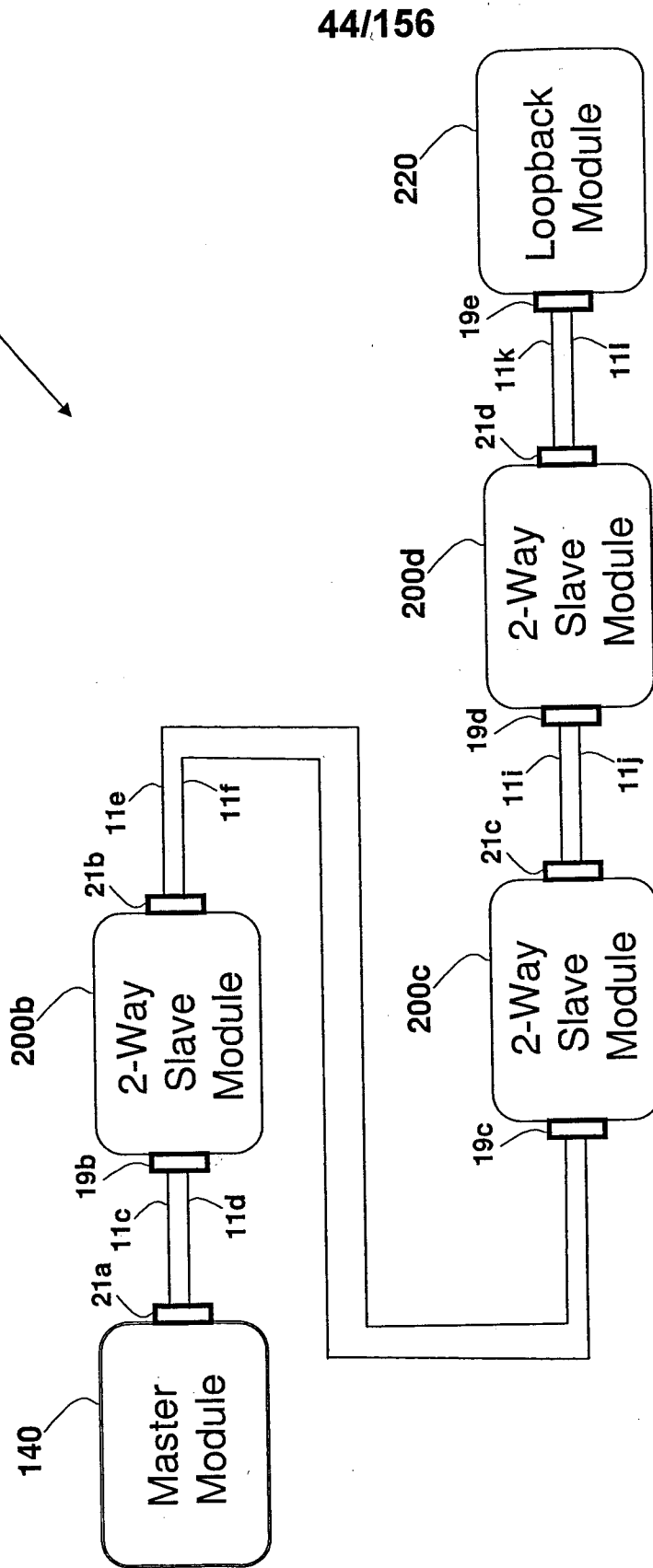


FIG. 24

45/156

241

TIME	#1	#2	#3	#4	#5
0	OFF	OFF	OFF	OFF	OFF
1	ON	OFF	OFF	OFF	OFF
2	OFF	ON	OFF	OFF	OFF
3	OFF	OFF	ON	OFF	OFF
4	OFF	OFF	OFF	ON	OFF
5	OFF	OFF	OFF	OFF	ON
6	OFF	OFF	OFF	ON	OFF
7	OFF	OFF	ON	OFF	OFF
8	OFF	ON	OFF	OFF	OFF
9	OFF	OFF	OFF	OFF	OFF

61a →
 61b →
 61c →
 61d →
 61e →
 61f →
 61g →
 61h →
 61i →
 61j →

62a ↓
 62g ↓
 62c ↓
 62d ↓
 62e ↓
 62h ↓

FIG. 24a

46/156

242

	62a	62g	62c	62d	62e	62h	
61a	↓	↓	↓	↓	↓	↓	
61b	↓	↓	↓	↓	↓	↓	
61c	↓	↓	↓	↓	↓	↓	
61d	↓	↓	↓	↓	↓	↓	
61e	↓	↓	↓	↓	↓	↓	
61f	↓	↓	↓	↓	↓	↓	
61g	↓	↓	↓	↓	↓	↓	
61h	↓	↓	↓	↓	↓	↓	
61i	↓	↓	↓	↓	↓	↓	
61j	↓	↓	↓	↓	↓	↓	

TIME	#1	#2	#3	#4	#5
0	OFF	OFF	OFF	OFF	OFF
1	ON	OFF	OFF	OFF	OFF
2	ON	ON	OFF	OFF	OFF
3	ON	ON	ON	OFF	OFF
4	ON	ON	ON	ON	OFF
5	ON	ON	ON	ON	ON
6	ON	ON	ON	ON	ON
7	ON	ON	ON	ON	ON
8	ON	ON	ON	ON	ON
9	ON	ON	ON	ON	ON

FIG. 24b

47/156

243

TIME	#1	#2	#3	#4	#5
0	OFF	OFF	OFF	OFF	OFF
1	ON	OFF	OFF	OFF	OFF
2	ON	ON	OFF	OFF	OFF
3	ON	ON	ON	OFF	OFF
4	ON	ON	ON	ON	OFF
5	ON	ON	ON	ON	ON
6	ON	ON	ON	OFF	OFF
7	ON	ON	OFF	OFF	OFF
8	ON	OFF	OFF	OFF	OFF
9	ON	OFF	OFF	OFF	OFF

FIG. 24C

48/156

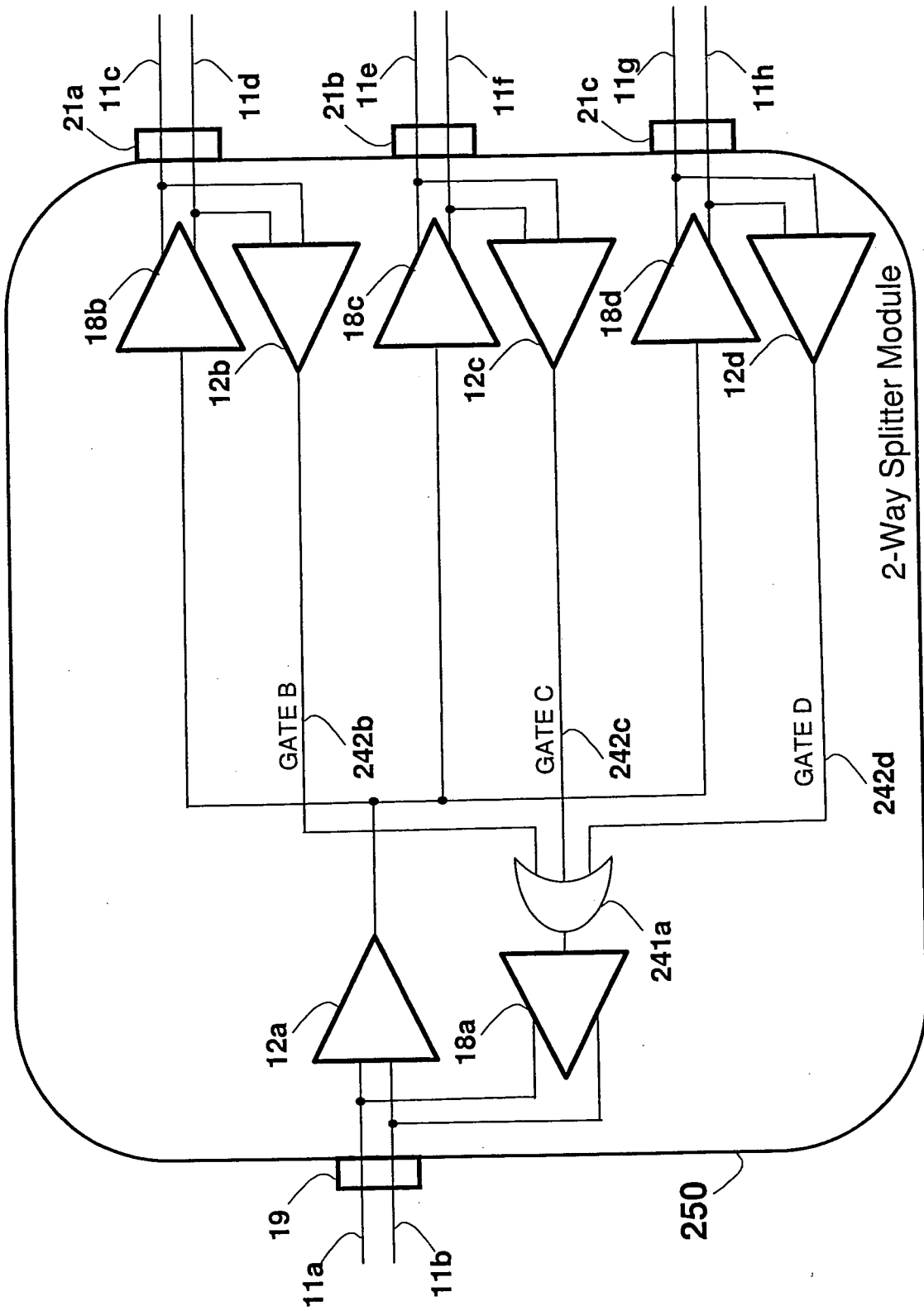


FIG. 25

49/156

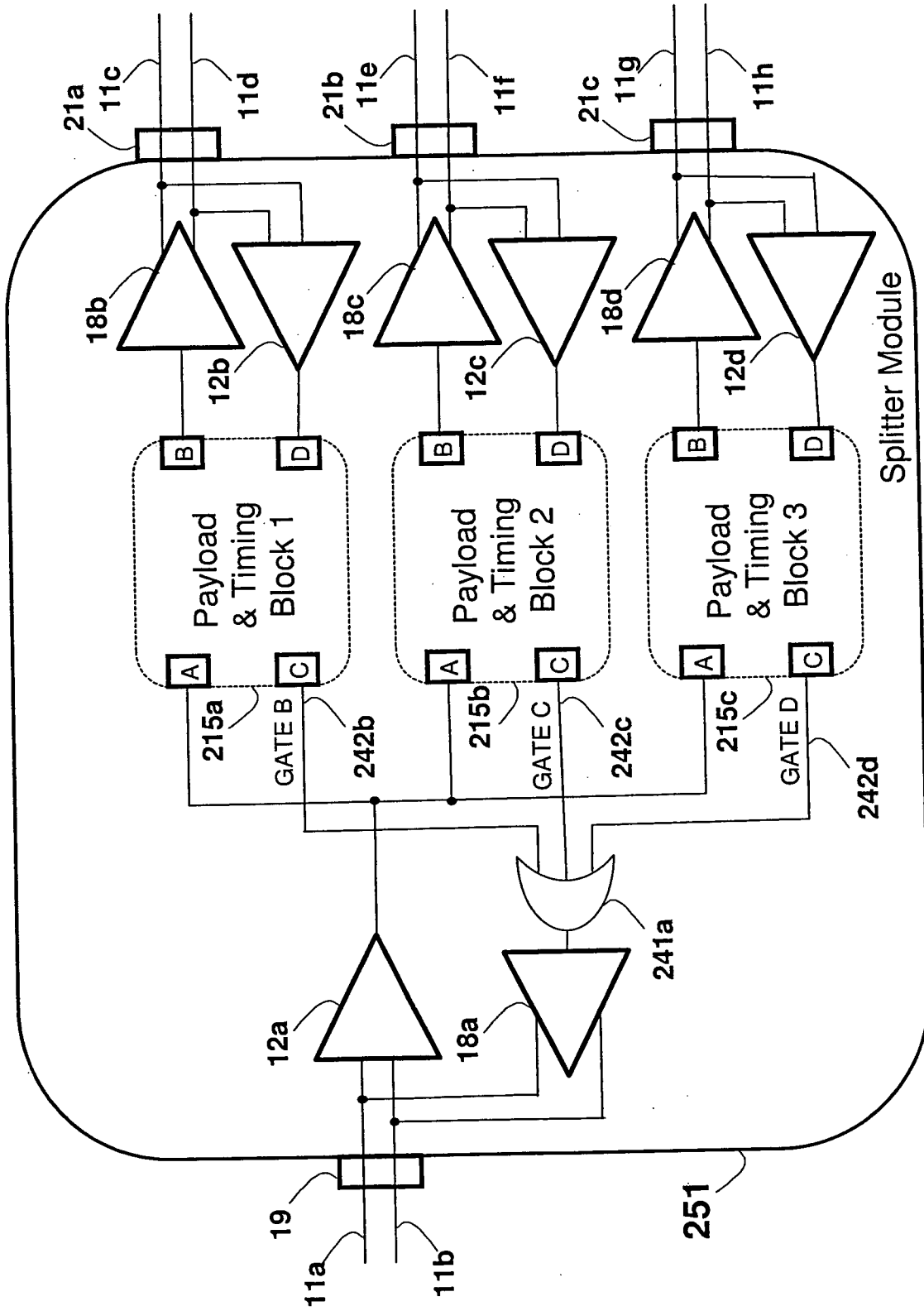


FIG. 25a

50/156

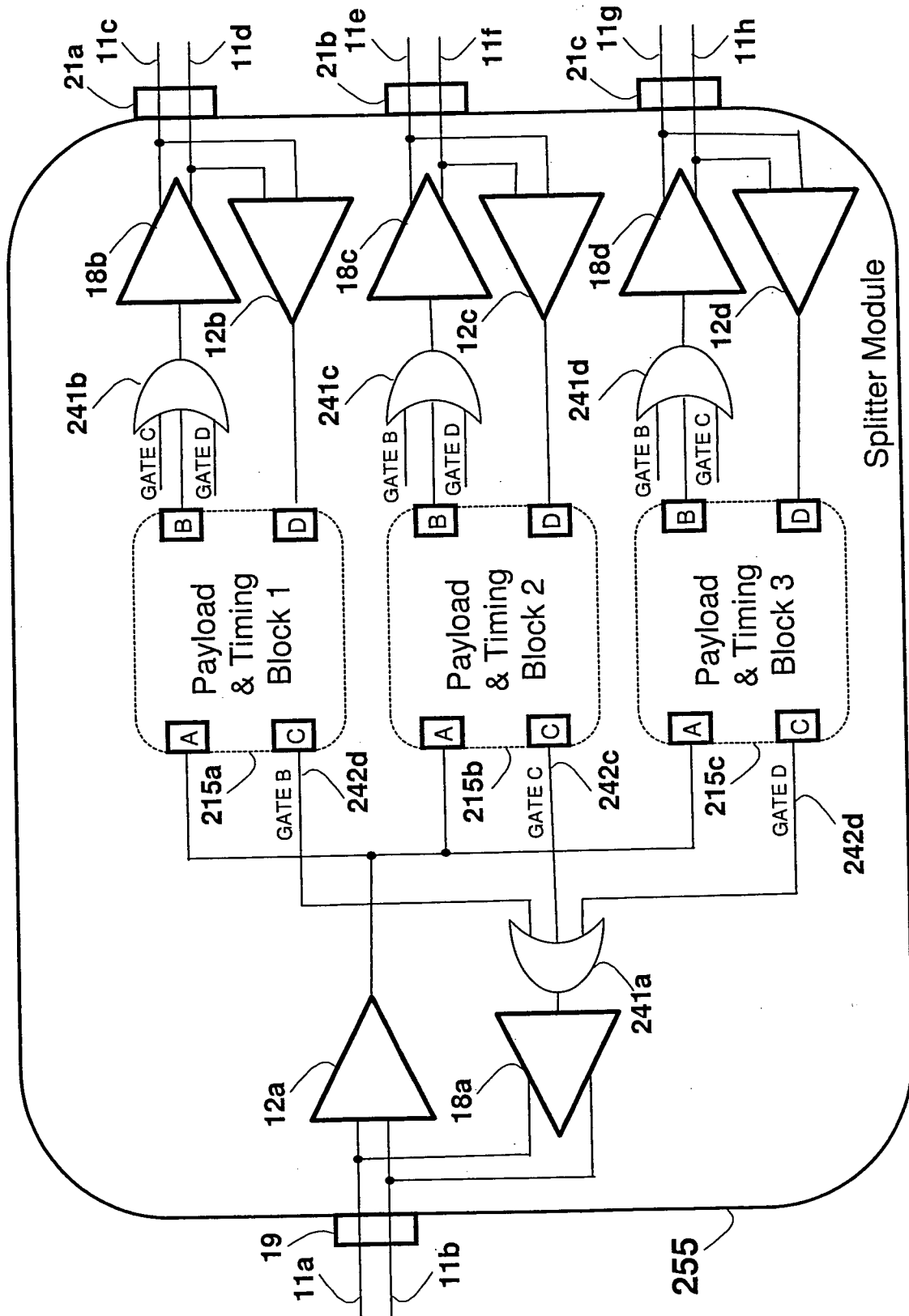


FIG. 25b

51/156

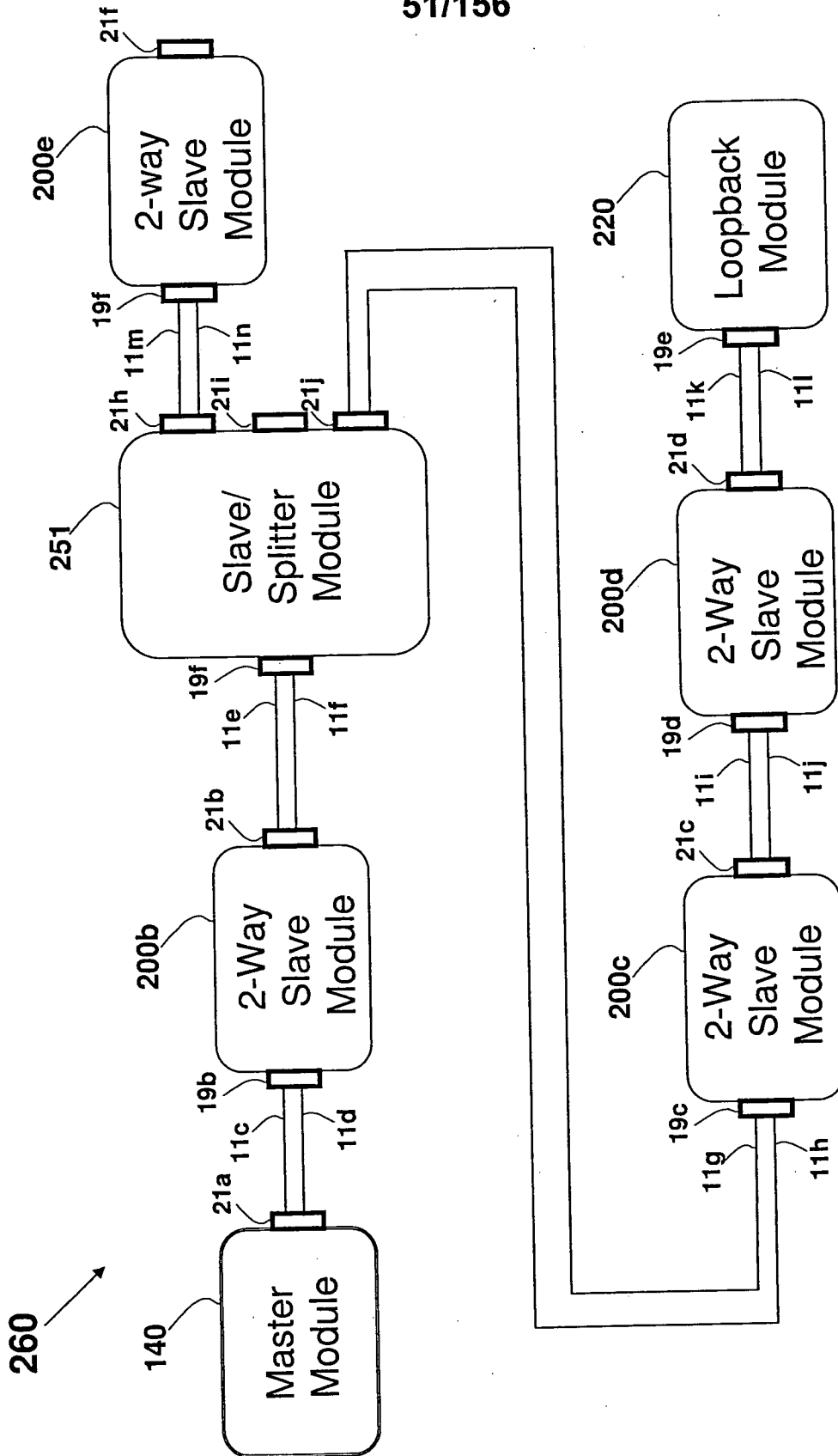


FIG. 26

52/156

TIME	#1	#2	#3	#4	#5	#6	#7
0	OFF	OFF	OFF	OFF	OFF	OFF	OFF
1	ON	OFF	OFF	OFF	OFF	OFF	OFF
2	OFF	ON	OFF	OFF	OFF	OFF	OFF
3	OFF	OFF	OFF	OFF	OFF	ON	OFF
4	OFF	OFF	ON	OFF	OFF	OFF	ON
5	OFF	OFF	OFF	ON	OFF	OFF	OFF
6	OFF	OFF	OFF	OFF	ON	OFF	OFF
7	OFF	OFF	OFF	ON	OFF	OFF	OFF
8	OFF	OFF	ON	OFF	OFF	OFF	OFF
9	OFF	OFF	OFF	OFF	OFF	ON	OFF
10	OFF	ON	OFF	OFF	OFF	OFF	OFF

261 ↗

61a →
 61b →
 61c →
 61d →
 61e →
 61f →
 61g →
 61h →
 61i →
 61j →
 61k →

62a →
 62g →
 62c →
 62d →
 62e →
 62h →
 62i →
 62j →

FIG. 26a

53/156

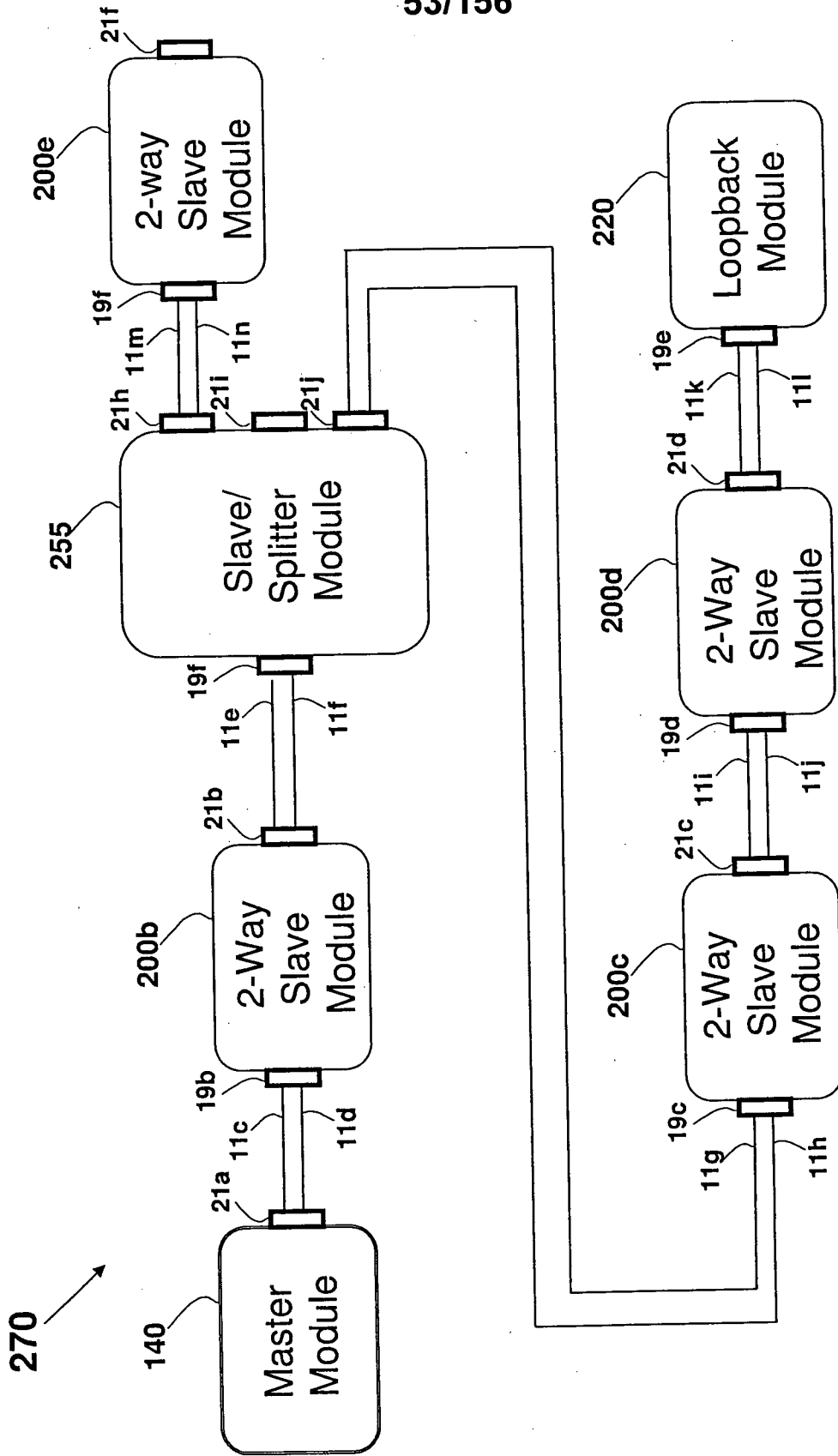


FIG. 27

271 →

TIME	#1	#2	#3	#4	#5	#6	#7
0	OFF	OFF	OFF	OFF	OFF	OFF	OFF
1	ON	OFF	OFF	OFF	OFF	OFF	OFF
2	OFF	ON	OFF	OFF	OFF	OFF	OFF
3	OFF	OFF	OFF	OFF	OFF	ON	OFF
4	OFF	OFF	ON	OFF	OFF	OFF	ON
5	OFF	OFF	OFF	ON	OFF	OFF	OFF
6	OFF	OFF	OFF	OFF	ON	OFF	OFF
7	OFF	OFF	OFF	ON	OFF	OFF	OFF
8	OFF	OFF	ON	OFF	OFF	OFF	OFF
9	OFF	OFF	OFF	OFF	OFF	ON	OFF
10	OFF	ON	OFF	OFF	OFF	OFF	ON

61a →
61b →
61c →
61d →
61e →
61f →
61g →
61h →
61i →
61j →
61k →

62a →
62g →
62c →
62d →
62e →
62h →
62i →
62j →

FIG. 27a

55/156

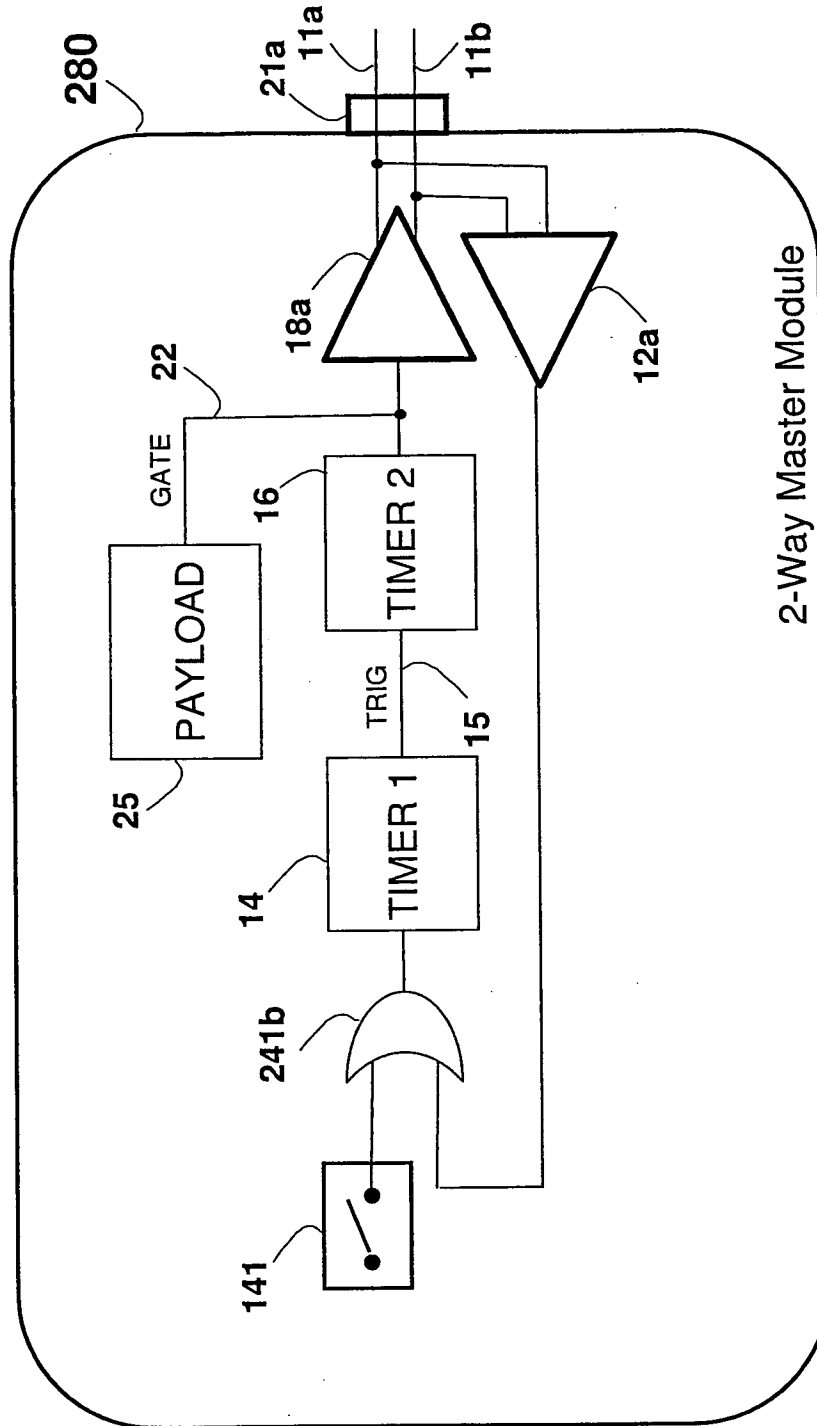


FIG. 28

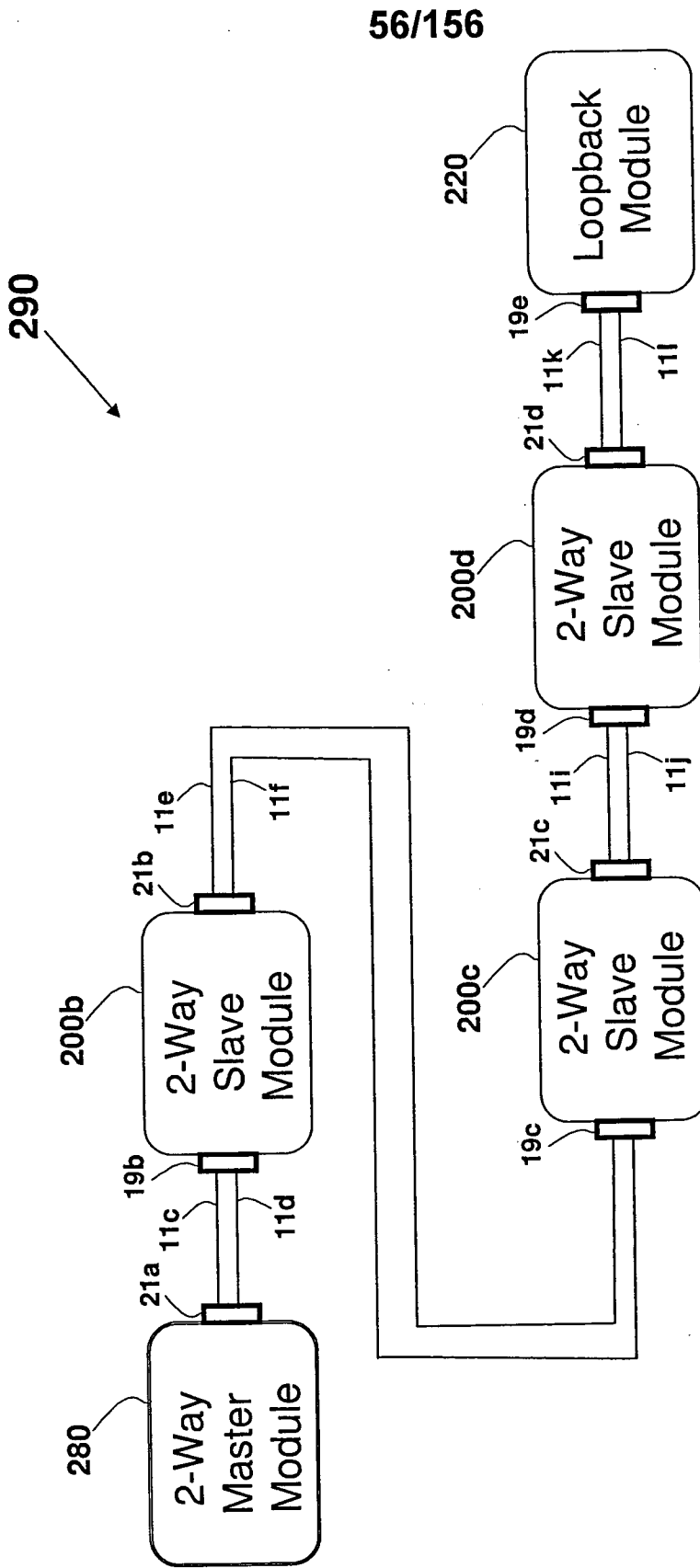


FIG. 29

57/156

291

TIME	#1	#2	#3	#4	#5
0	OFF	OFF	OFF	OFF	OFF
1	ON	OFF	OFF	OFF	OFF
2	OFF	ON	OFF	OFF	OFF
3	OFF	OFF	ON	OFF	OFF
•					
•					
•					
7	OFF	OFF	ON	OFF	OFF
8	OFF	ON	OFF	OFF	OFF
9	ON	OFF	OFF	OFF	OFF
10	OFF	ON	OFF	OFF	OFF
11	OFF	OFF	ON	OFF	OFF

61a →

61b →

61c →

61d →

61h →

61i →

61j →

61k →

61l →

62a ↓

62g ↓

62c ↓

62d ↓

62e ↓

62h ↓

FIG. 29a

292

TIME	#1	#2	#3	#4	#5
0	OFF	OFF	OFF	OFF	OFF
1	ON	OFF	OFF	OFF	OFF
2	ON	ON	OFF	OFF	OFF
3	ON	ON	ON	OFF	OFF
•					
•					
•					
7	ON	ON	OFF	OFF	ON
8	ON	OFF	OFF	OFF	ON
9	OFF	OFF	OFF	OFF	ON
10	OFF	ON	OFF	OFF	ON
11	OFF	ON	ON	OFF	ON

61a →
 61b →
 61c →
 61d →
 •
 •
 •
 61h →
 61i →
 61j →
 61k →
 61l →

62a →
 62g →
 62c →
 62d →
 62e →
 62h →

FIG. 29b

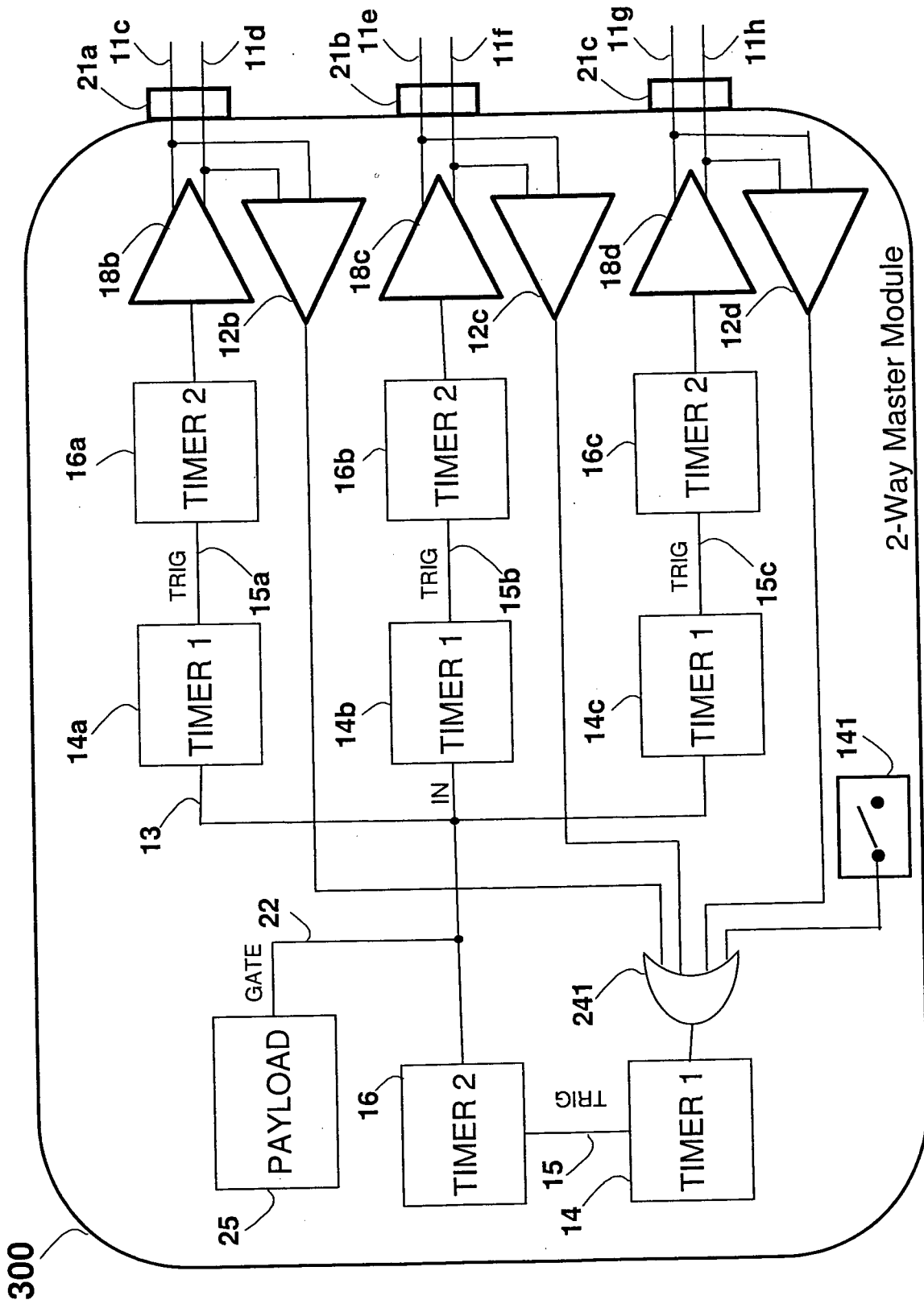


FIG. 30

60/156

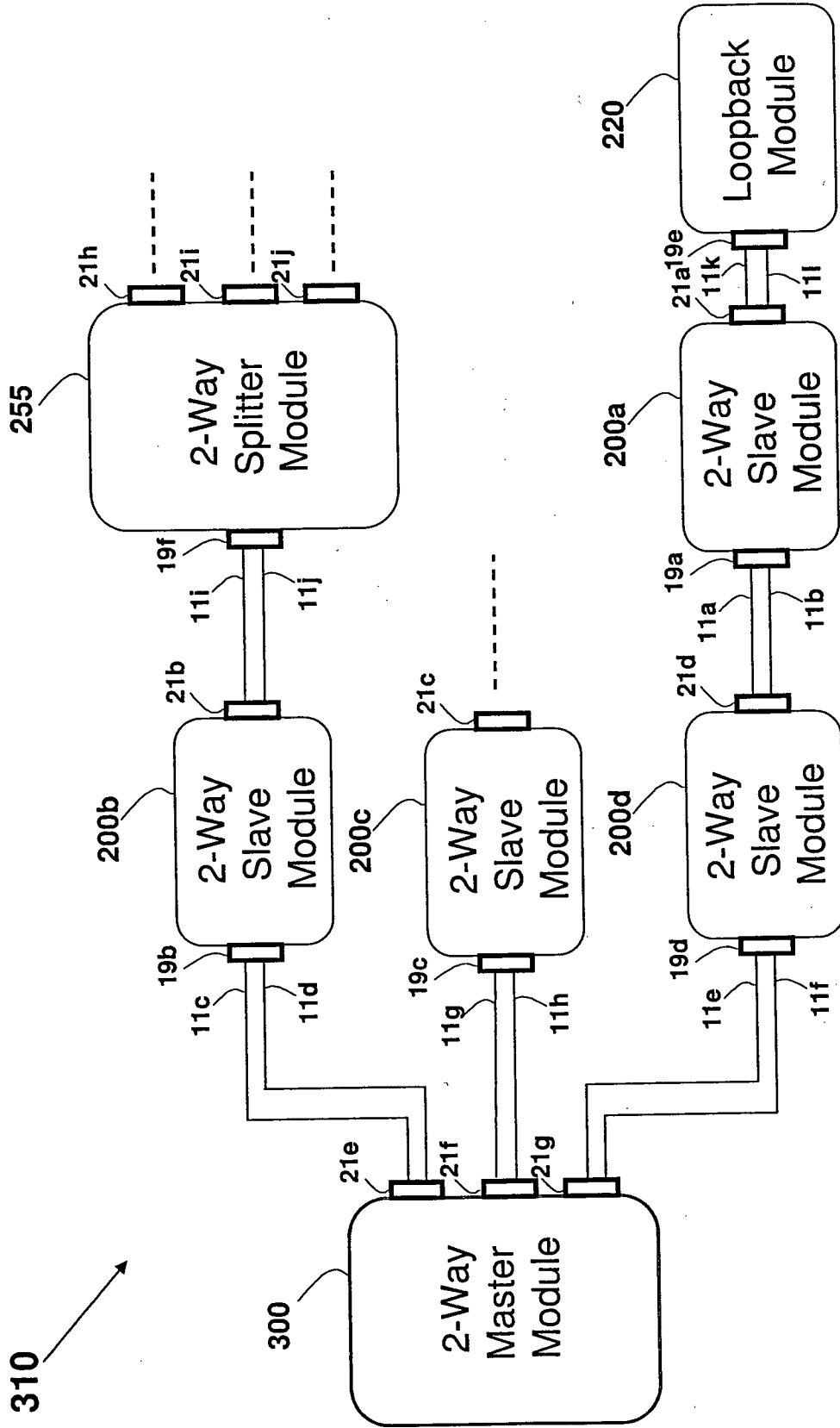


FIG. 31

61/156

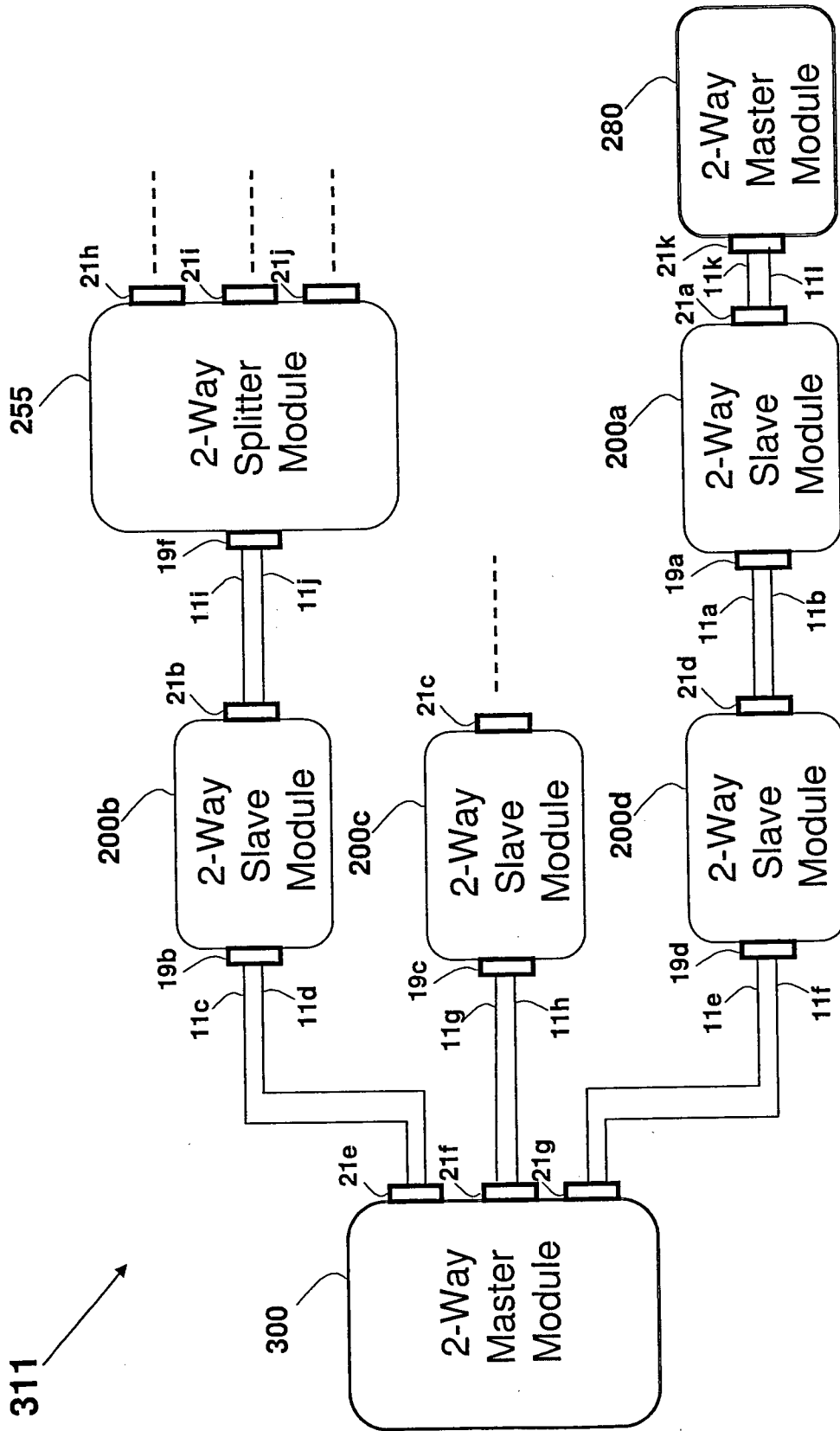


FIG. 31a

62/156

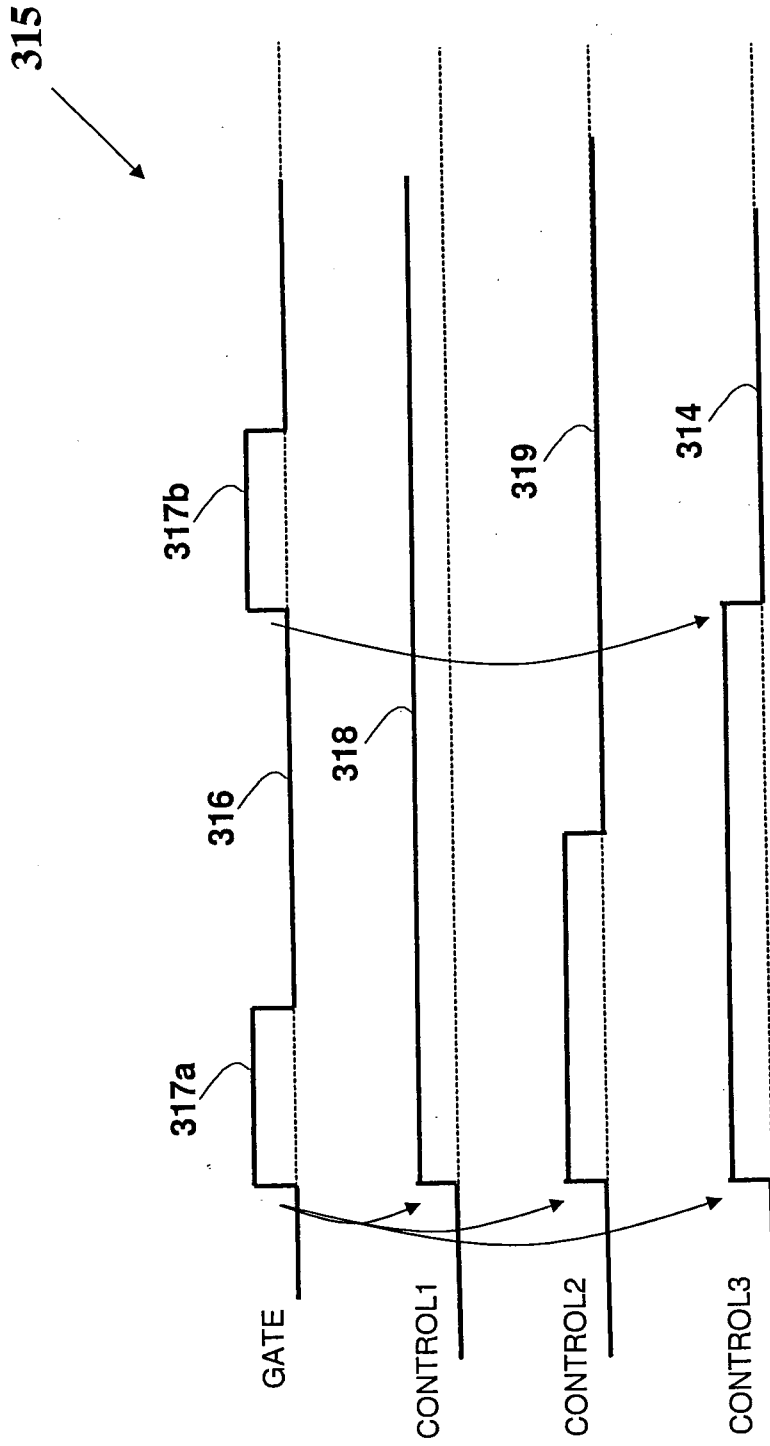


FIG. 32

63/156

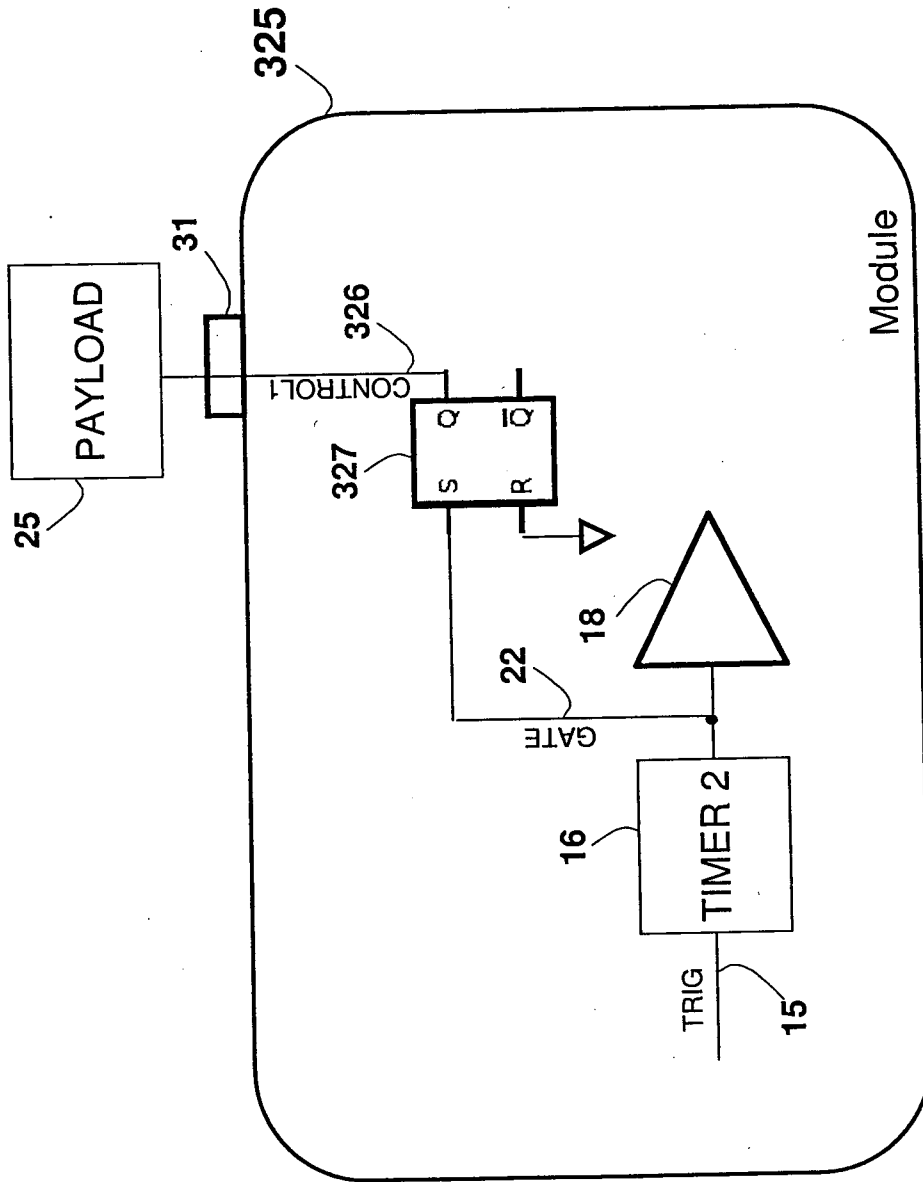


FIG. 32a

64/156

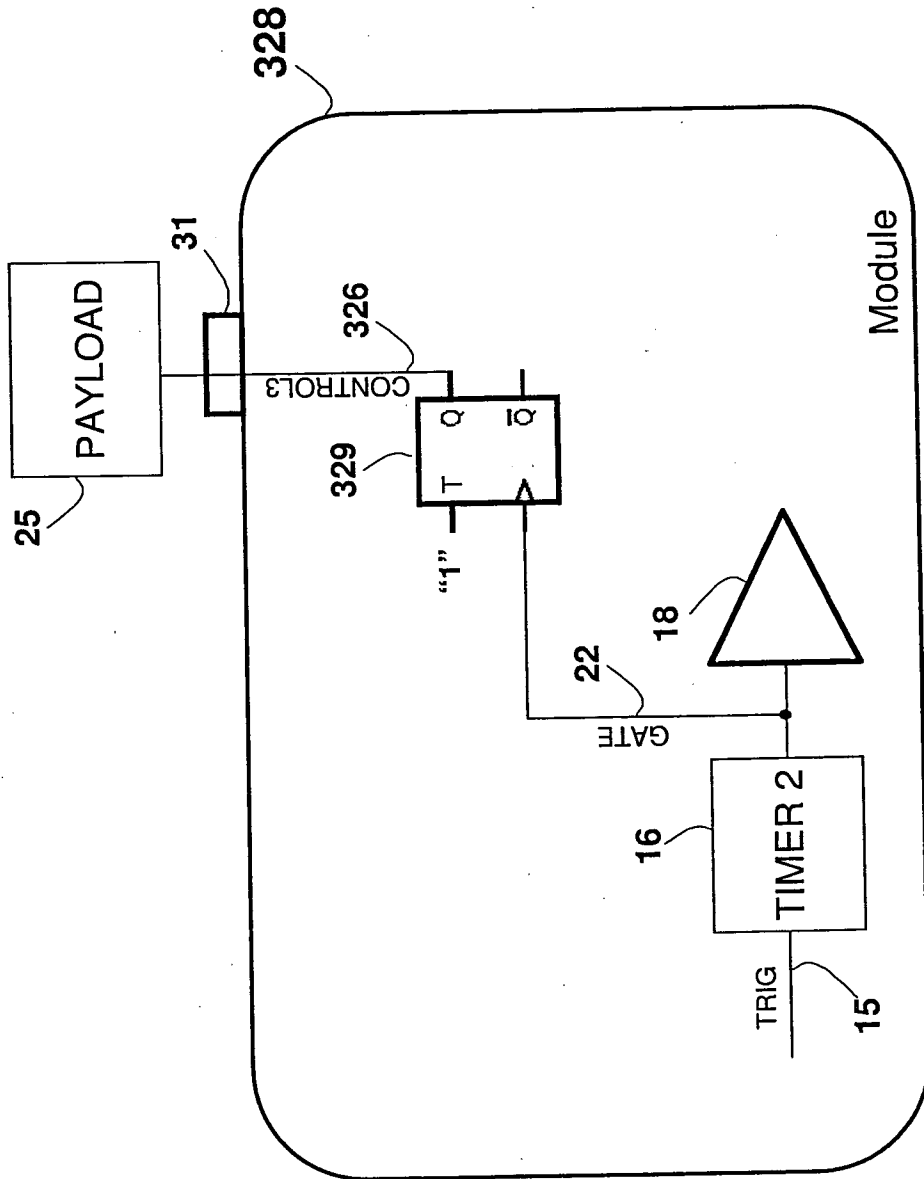


FIG. 32b

65/156

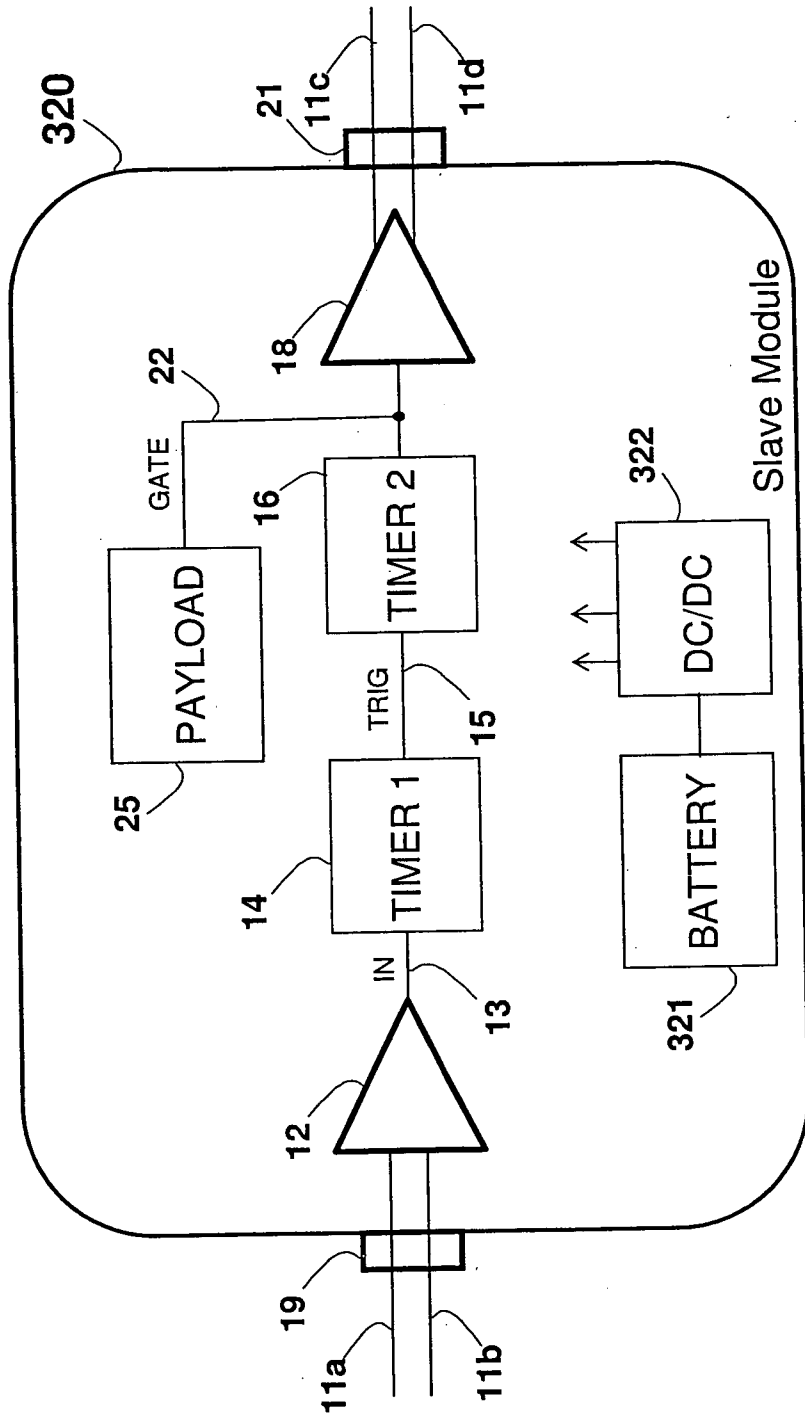


FIG. 33

66/156

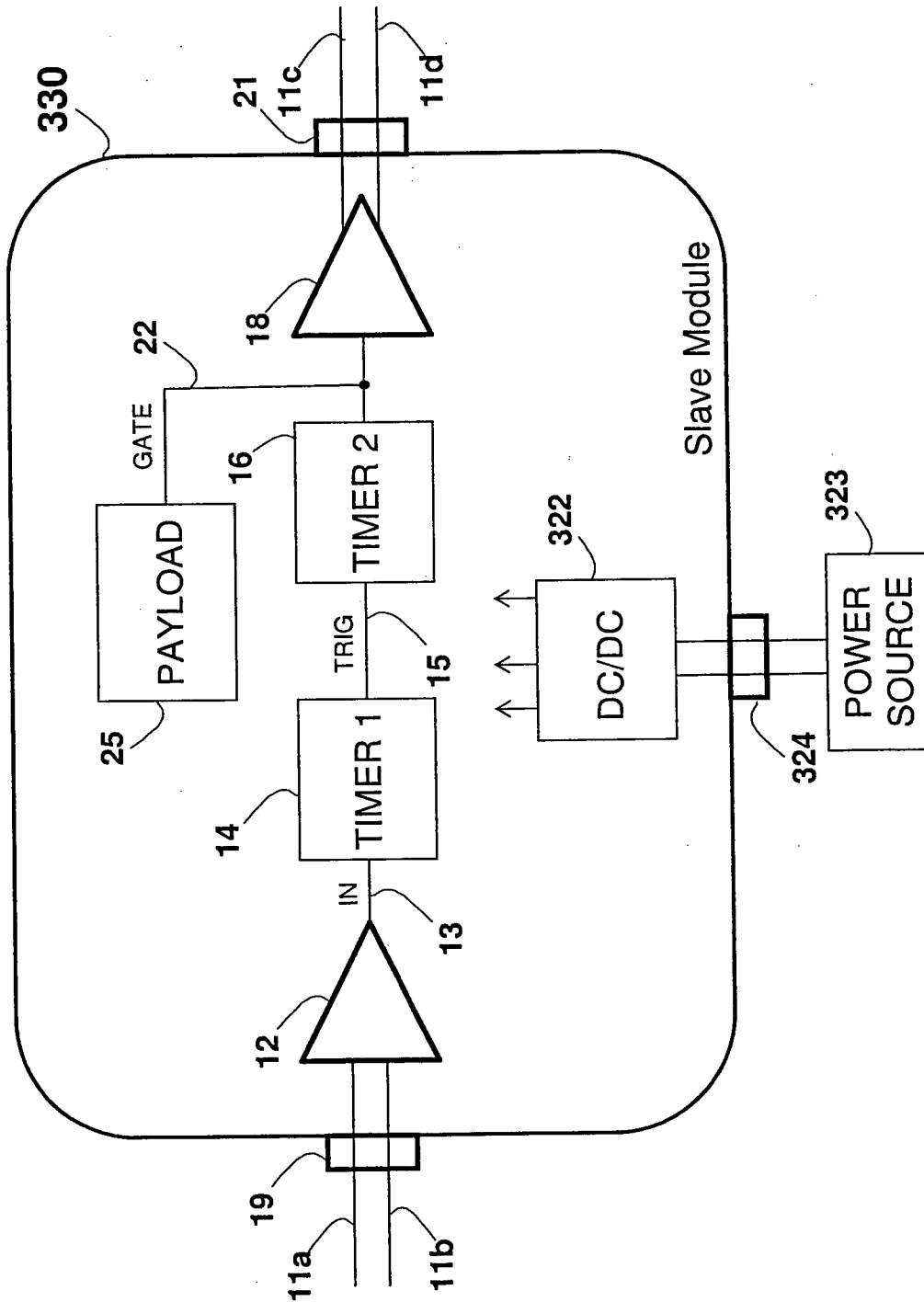


FIG. 33a

67/156

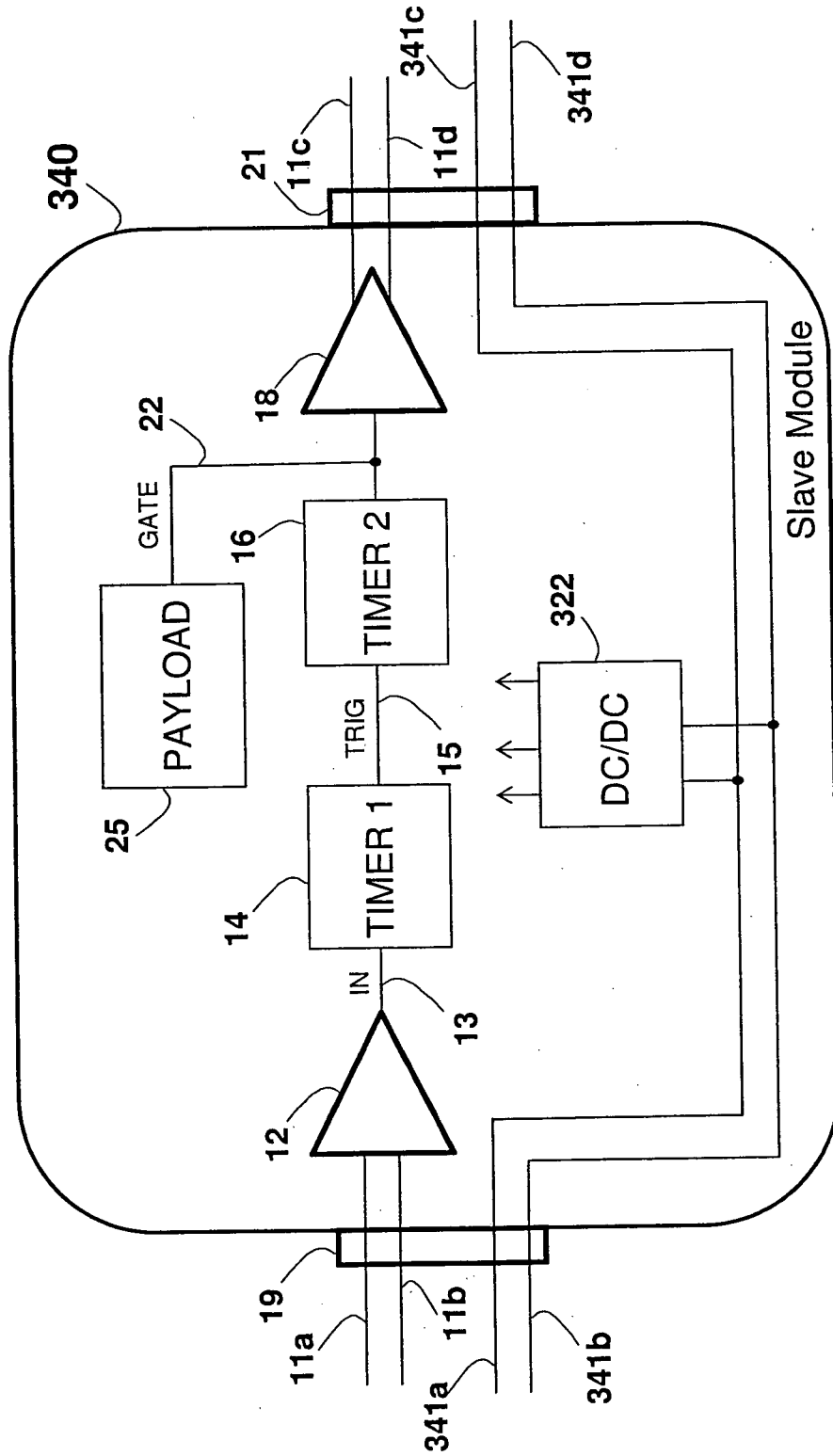


FIG. 34

68/156

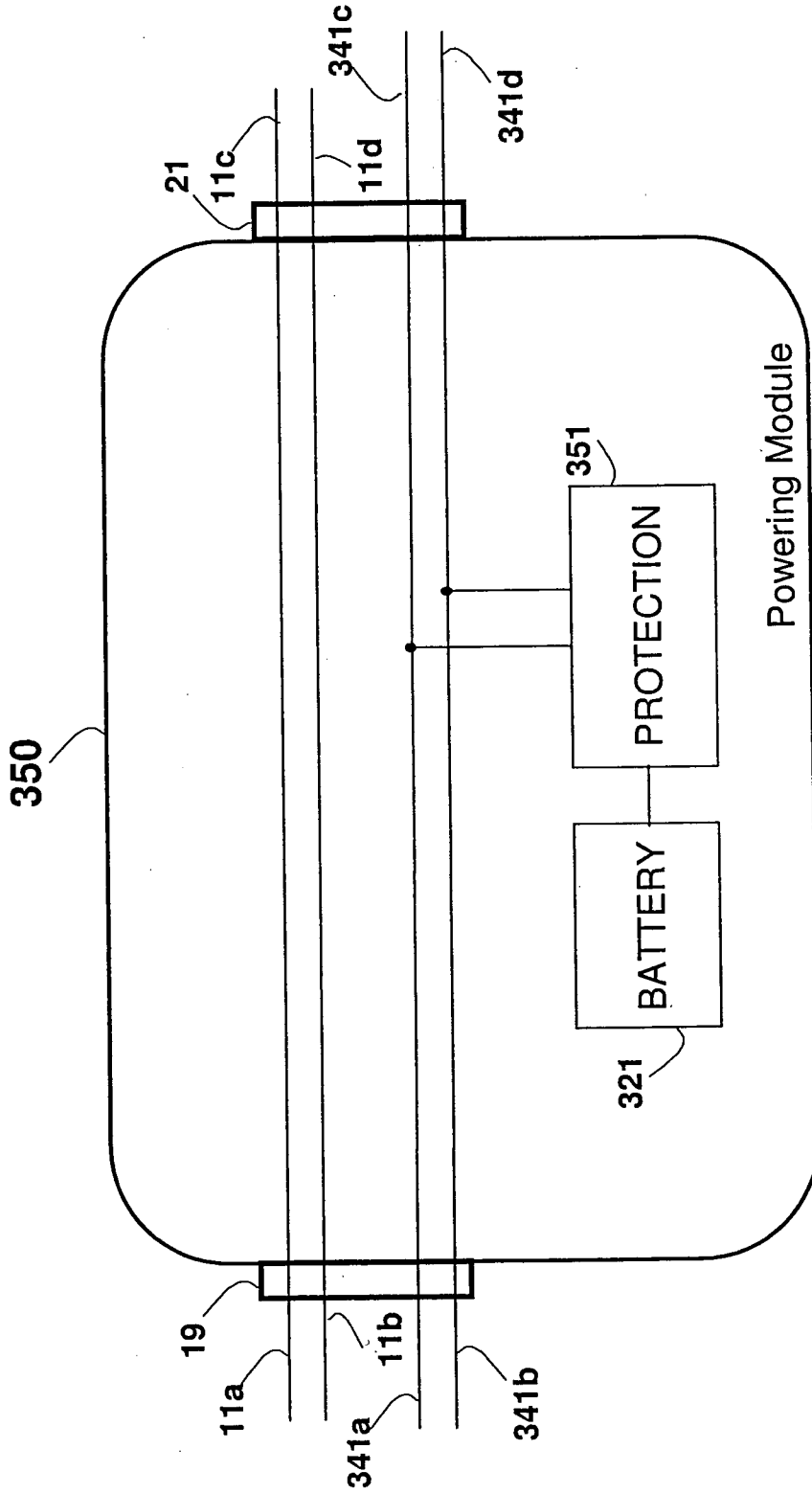


FIG. 35

69/156

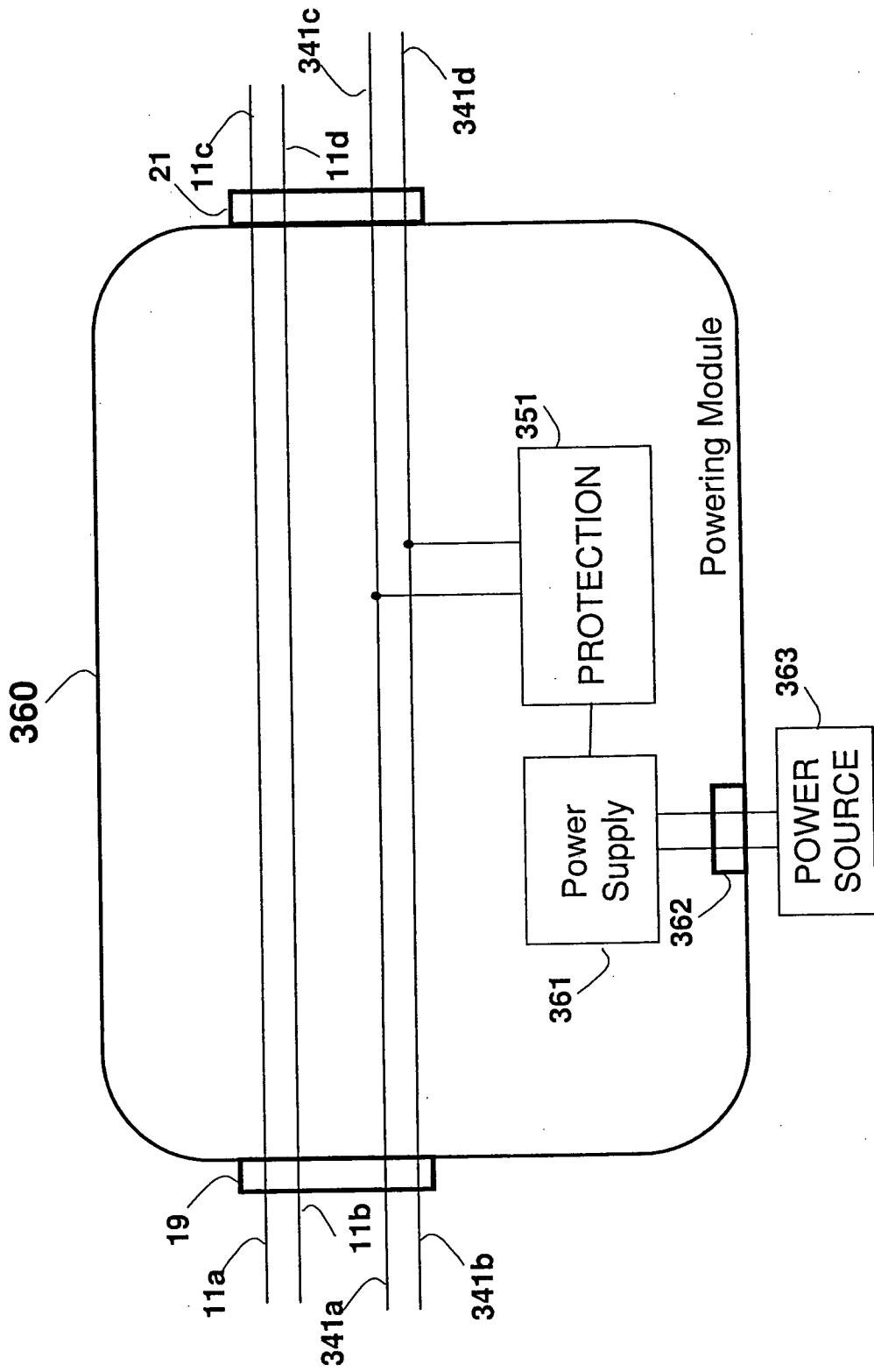


FIG. 36

70/156

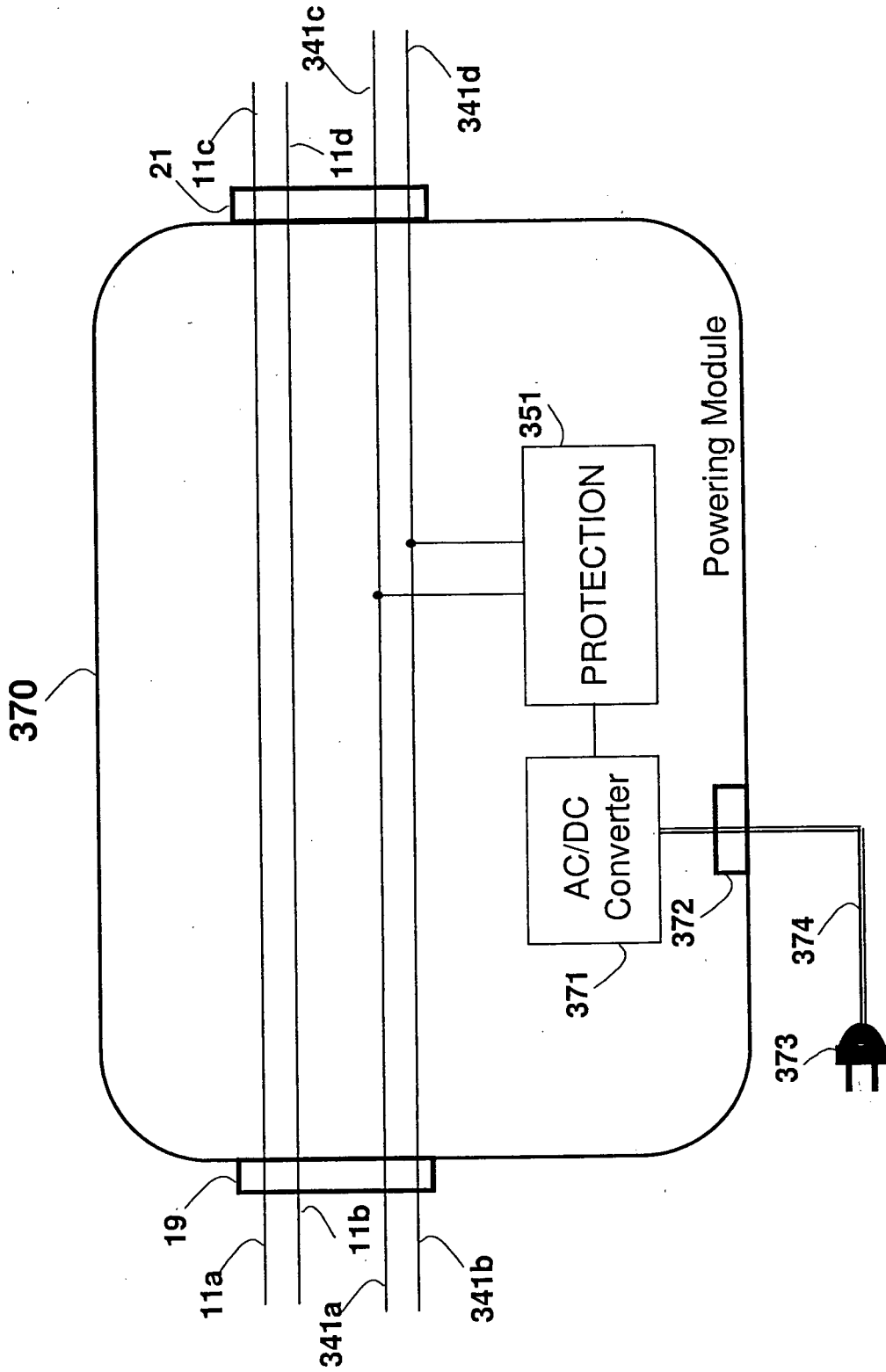


FIG. 37

71/156

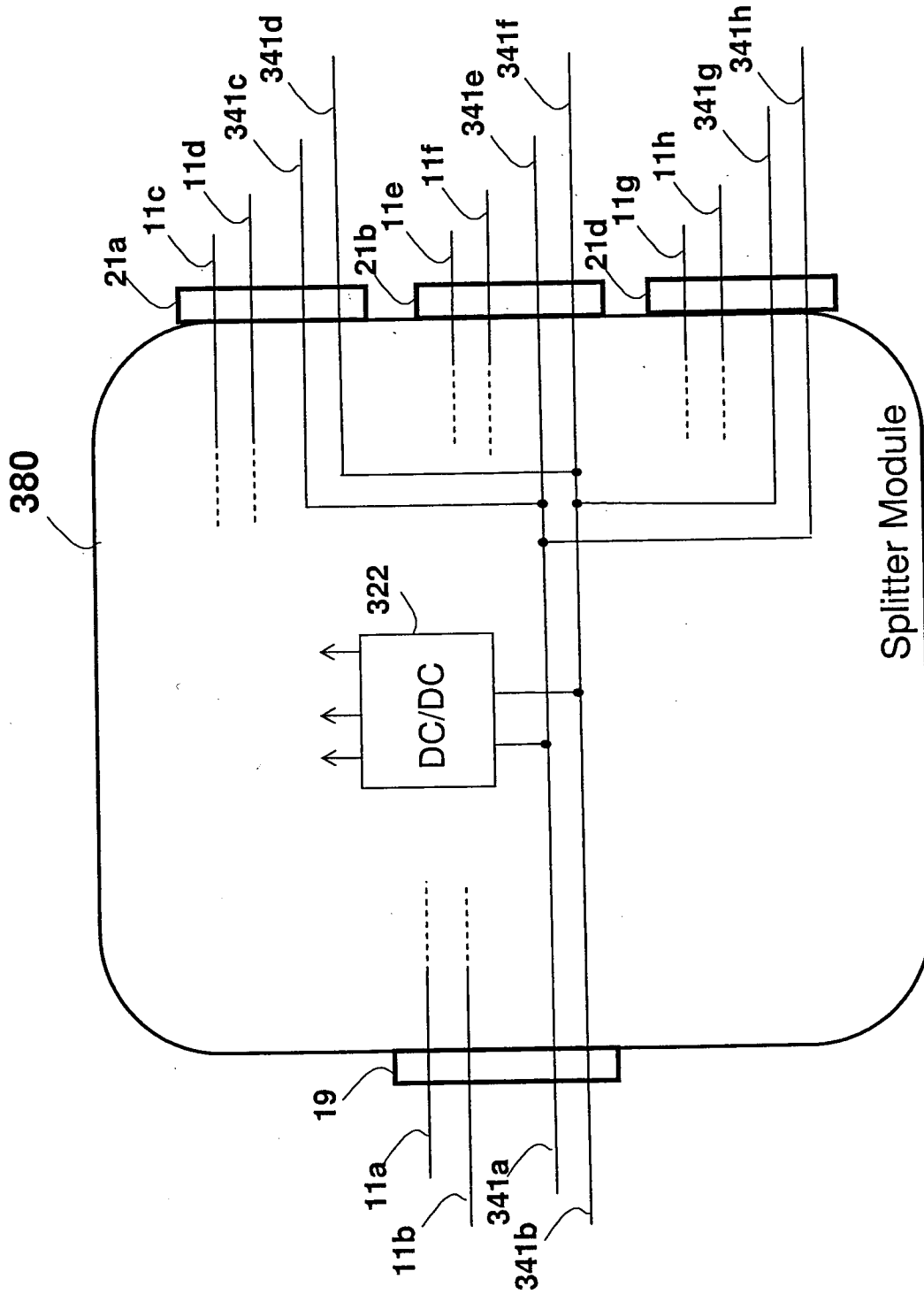


FIG. 38

72/156

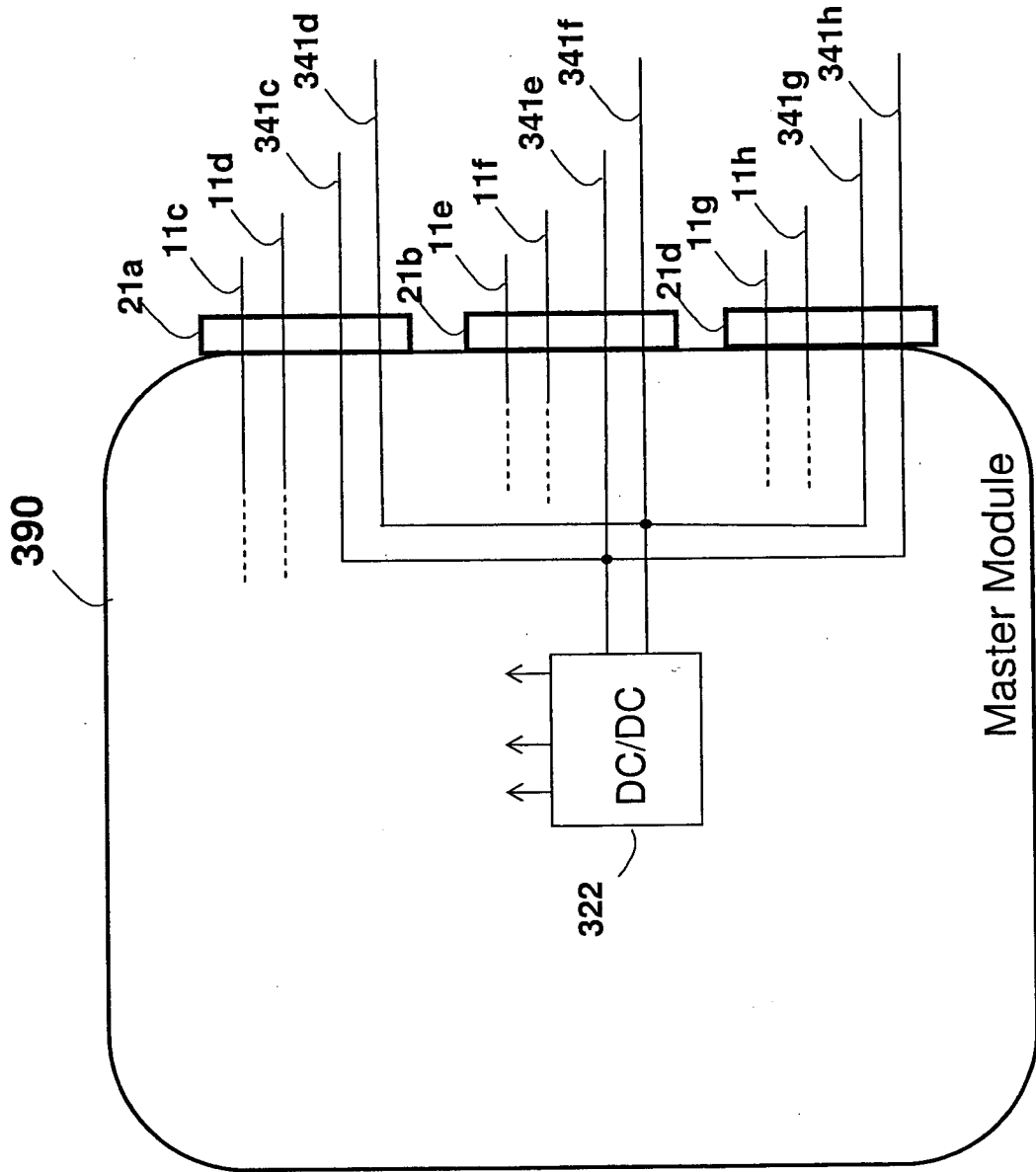


FIG. 39

73/156

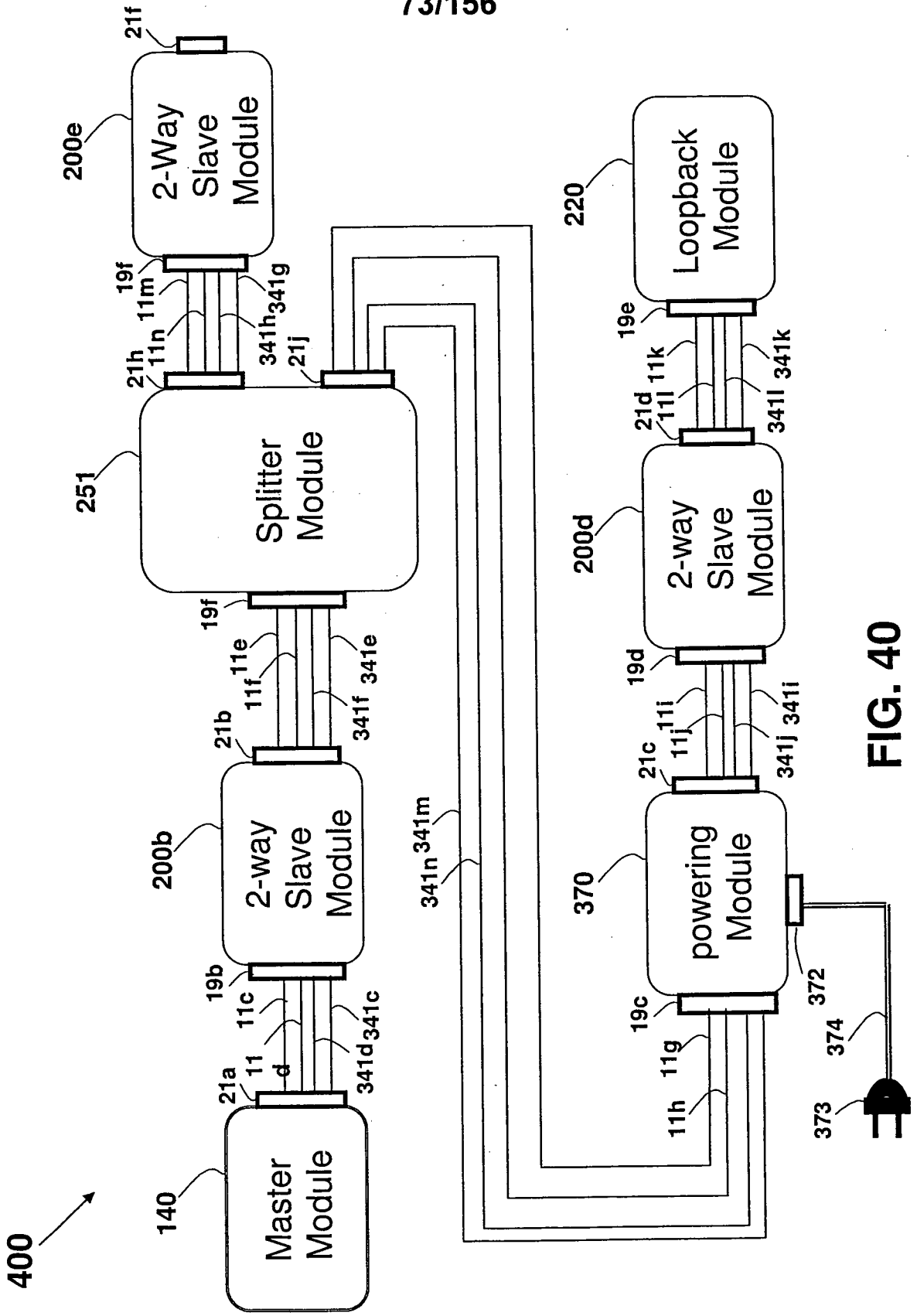


FIG. 40

74/156

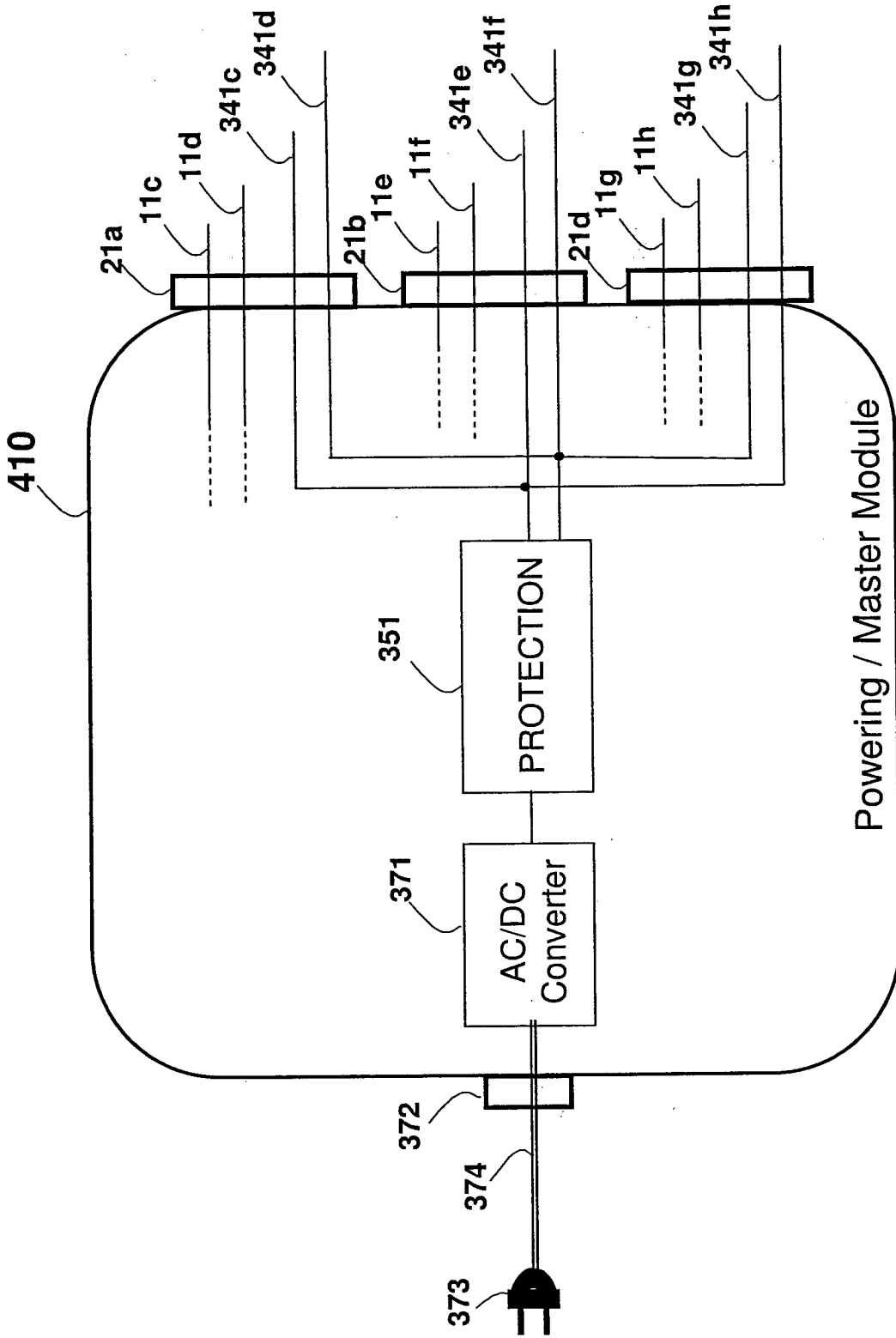


FIG. 41

75/156

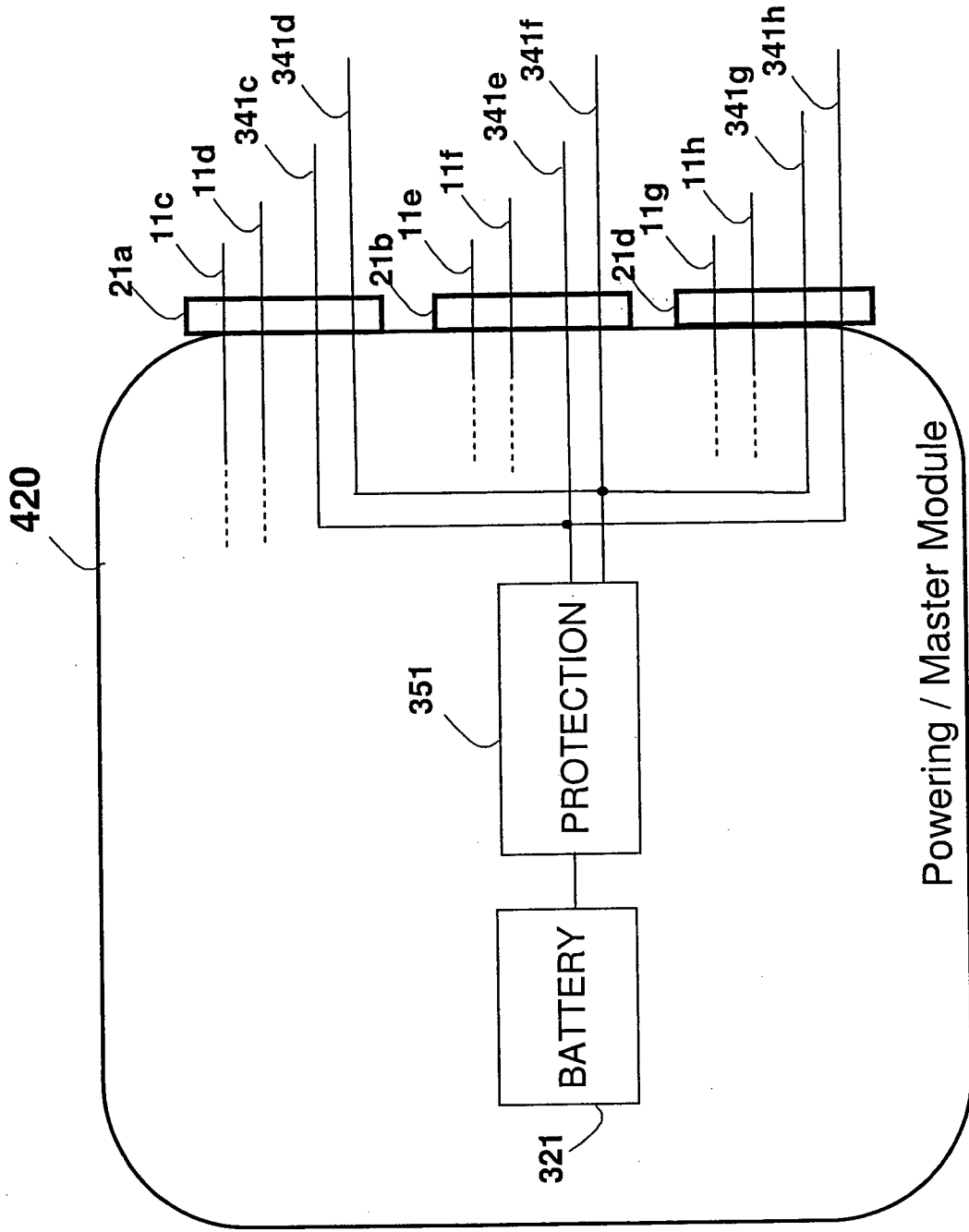


FIG. 42

76/156

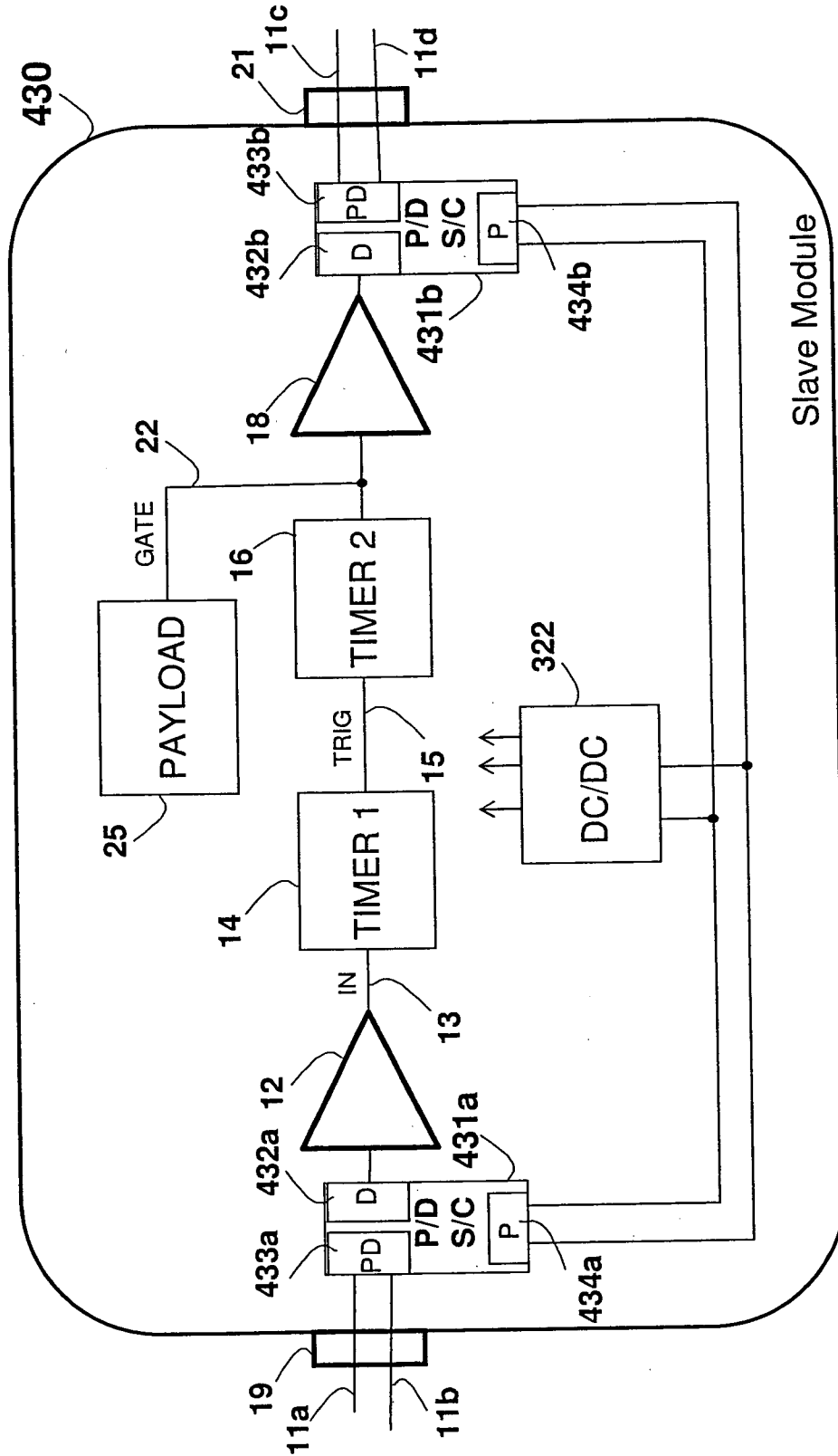


FIG. 43

77/156

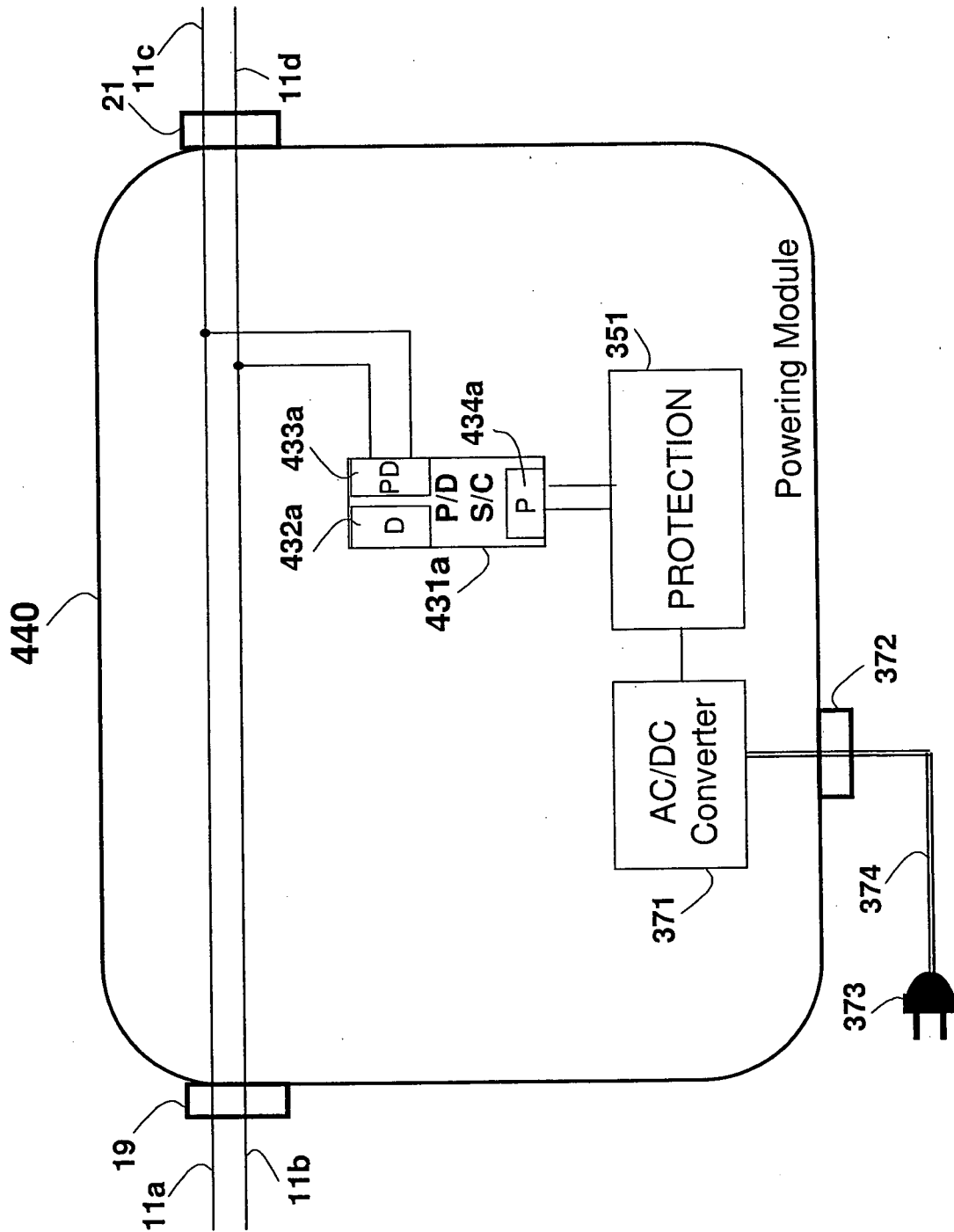
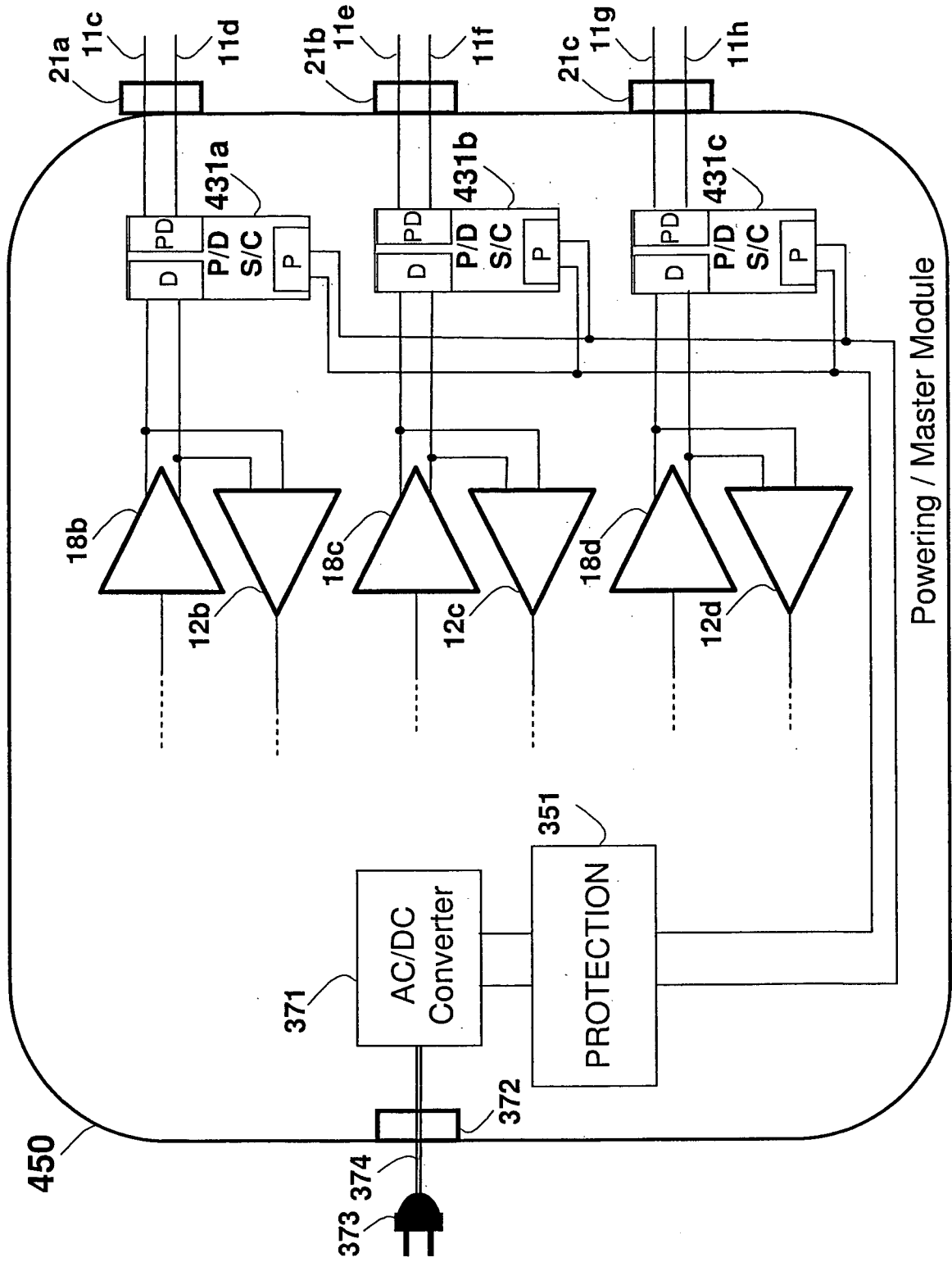


FIG. 44

78/156



Powering / Master Module

FIG. 45

79/156

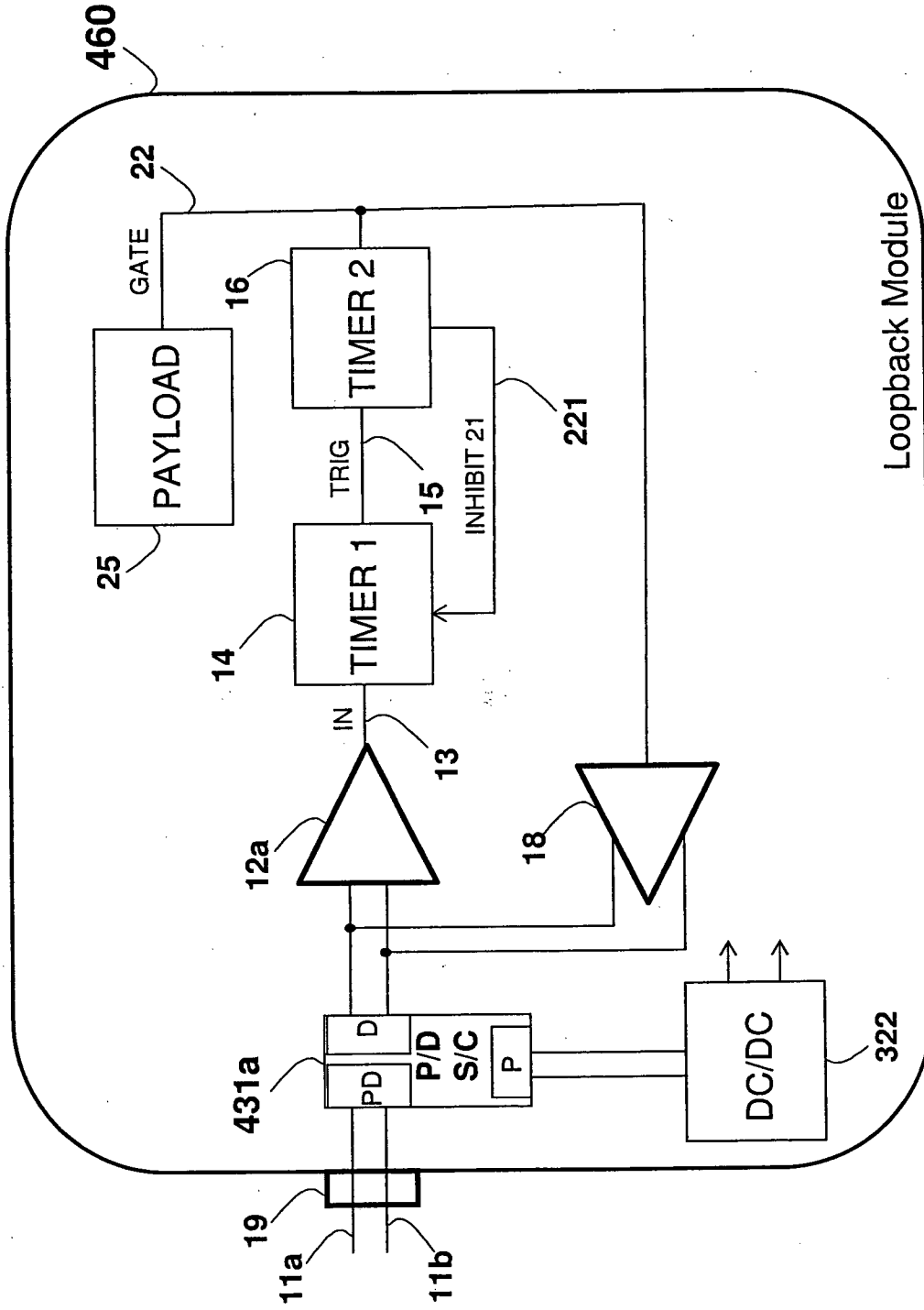


FIG. 46

80/156

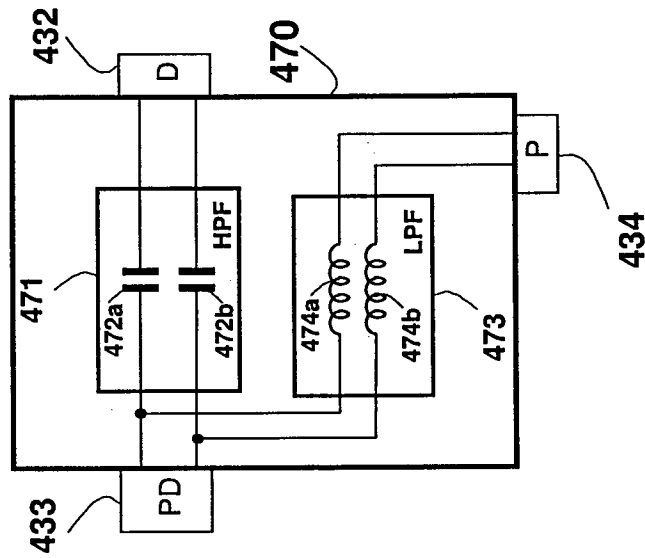


FIG. 47

81/156

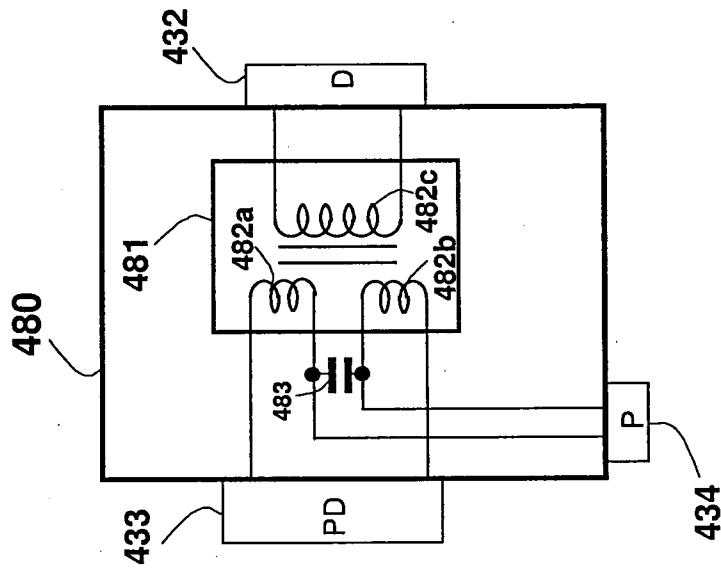


FIG. 48

82/156

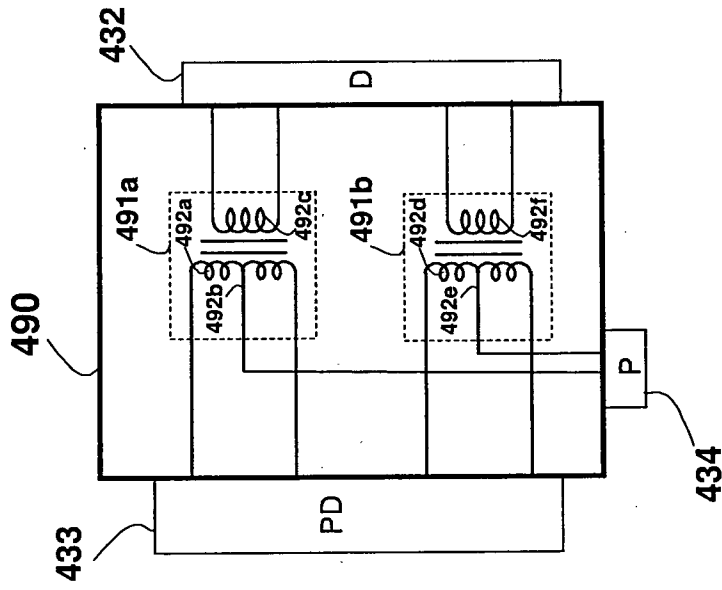


FIG. 49

83/156

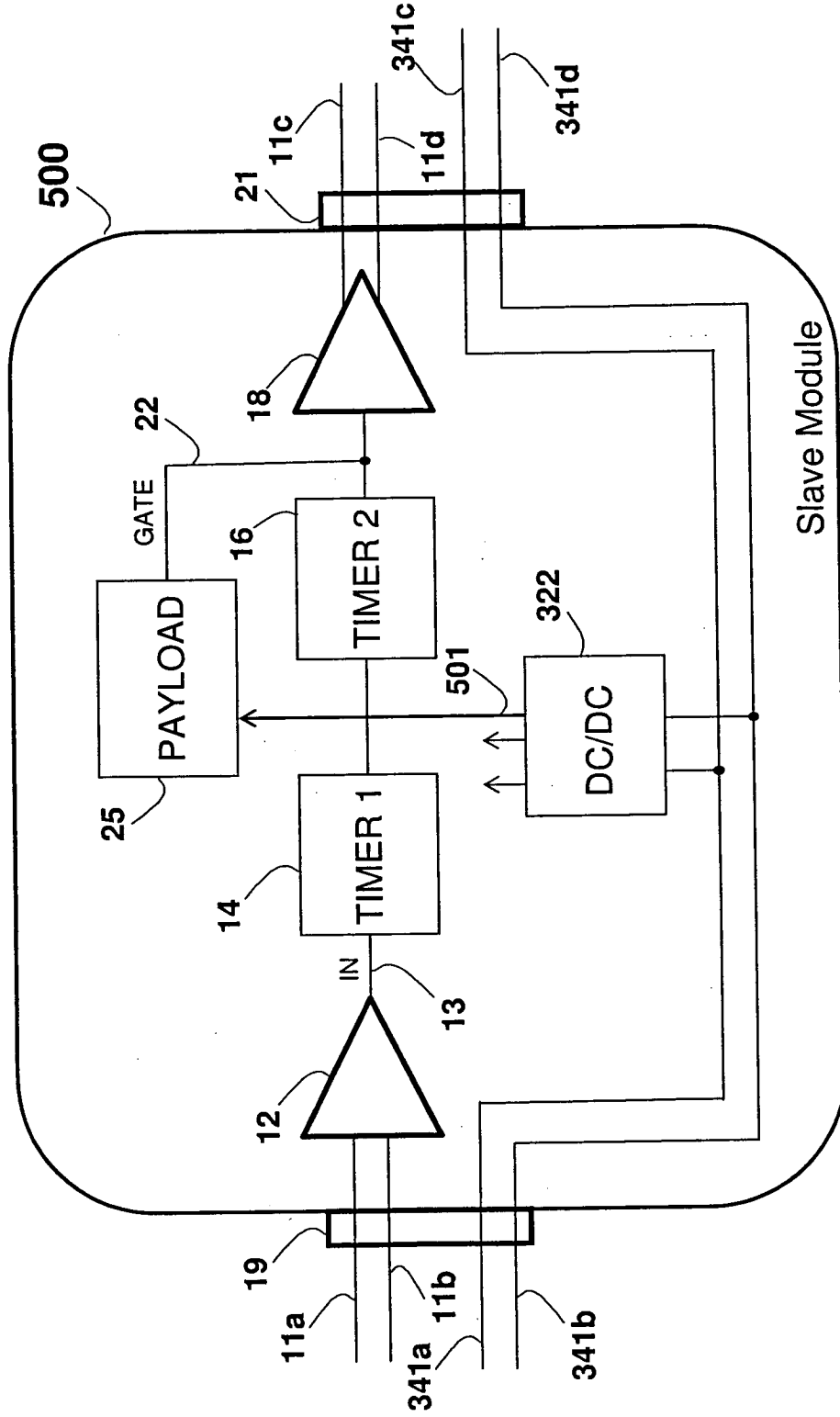


FIG. 50

84/156

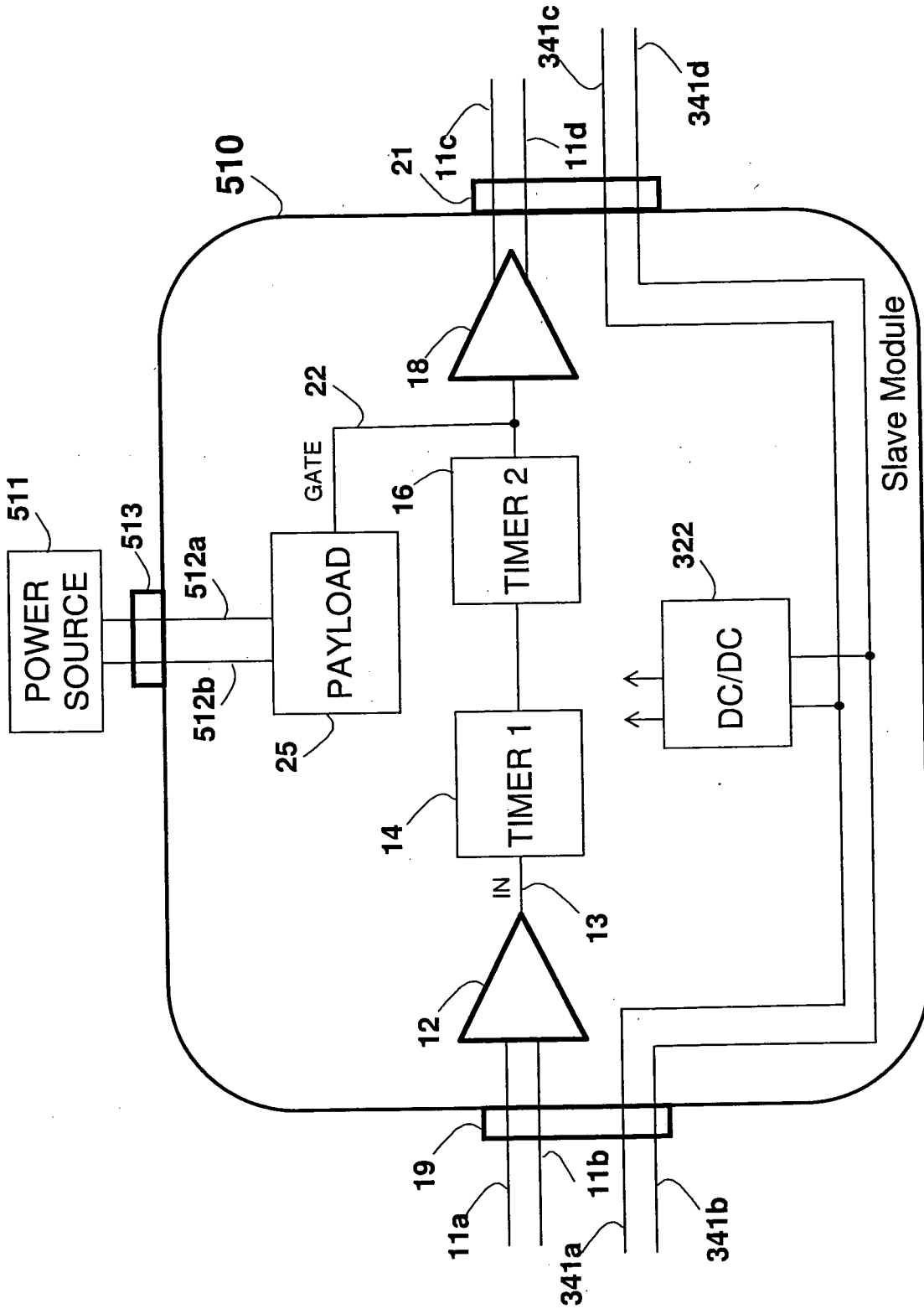


FIG. 51

85/156

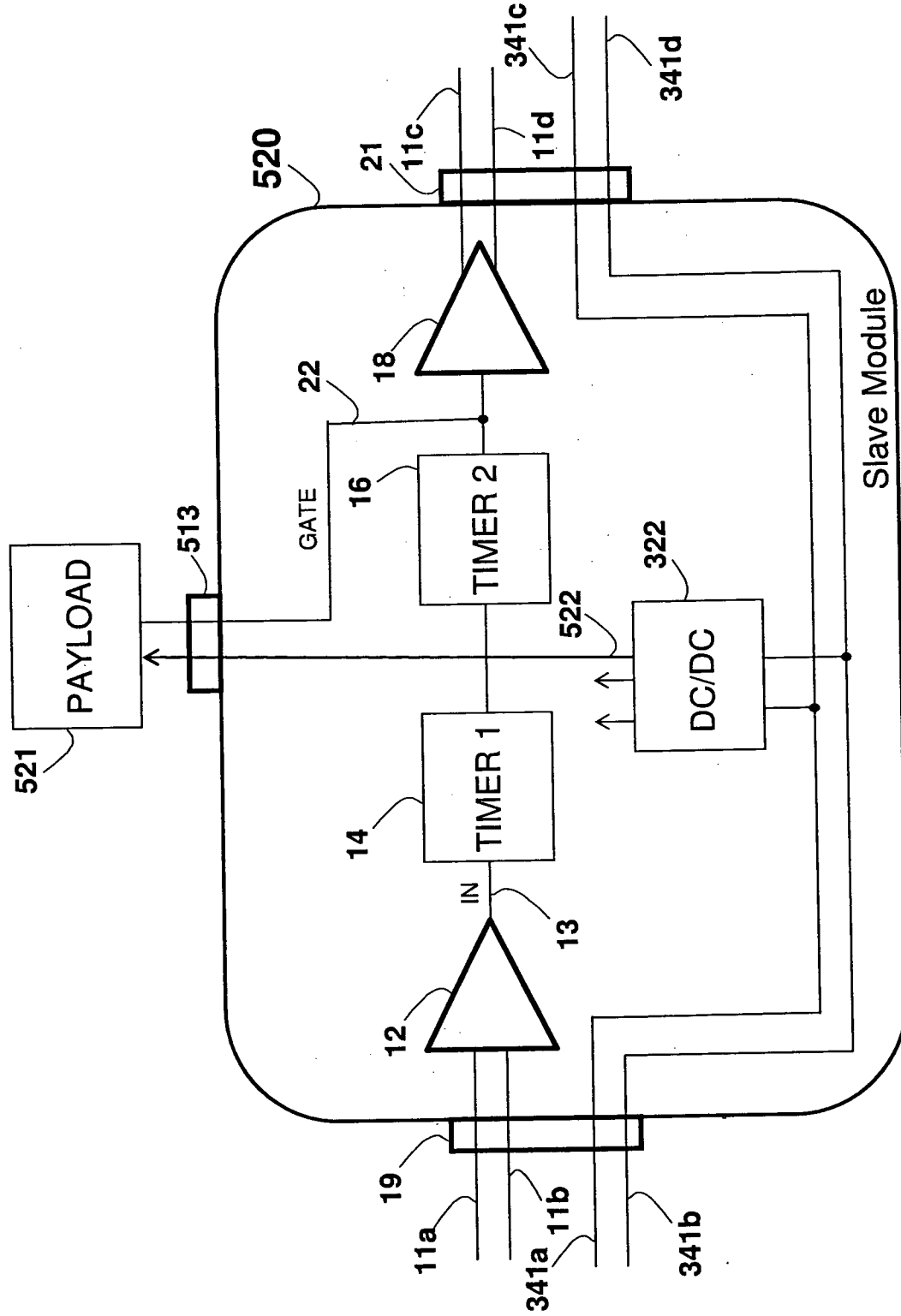


FIG. 52

86/156

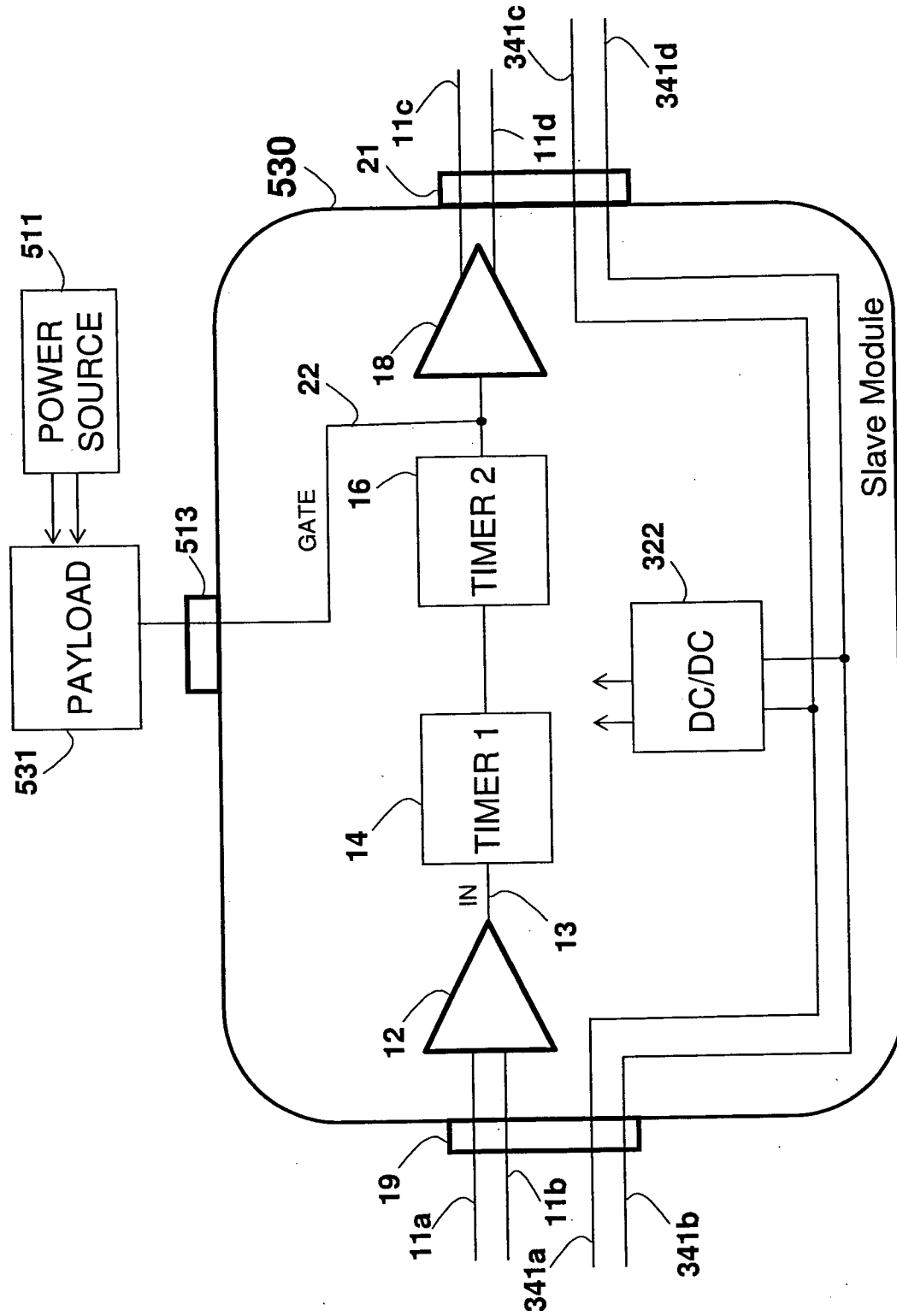


FIG. 53

87/156

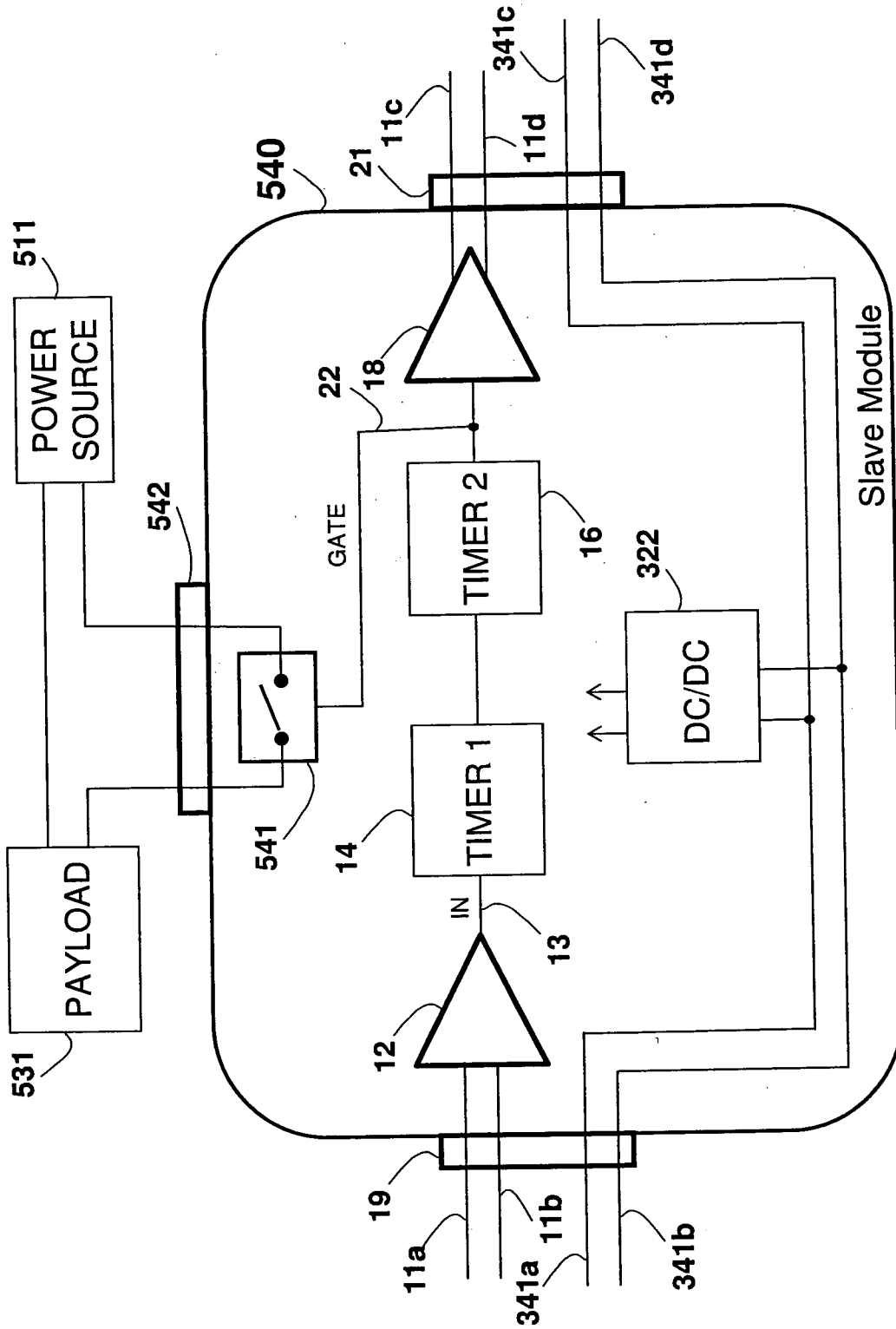


FIG. 54

88/156

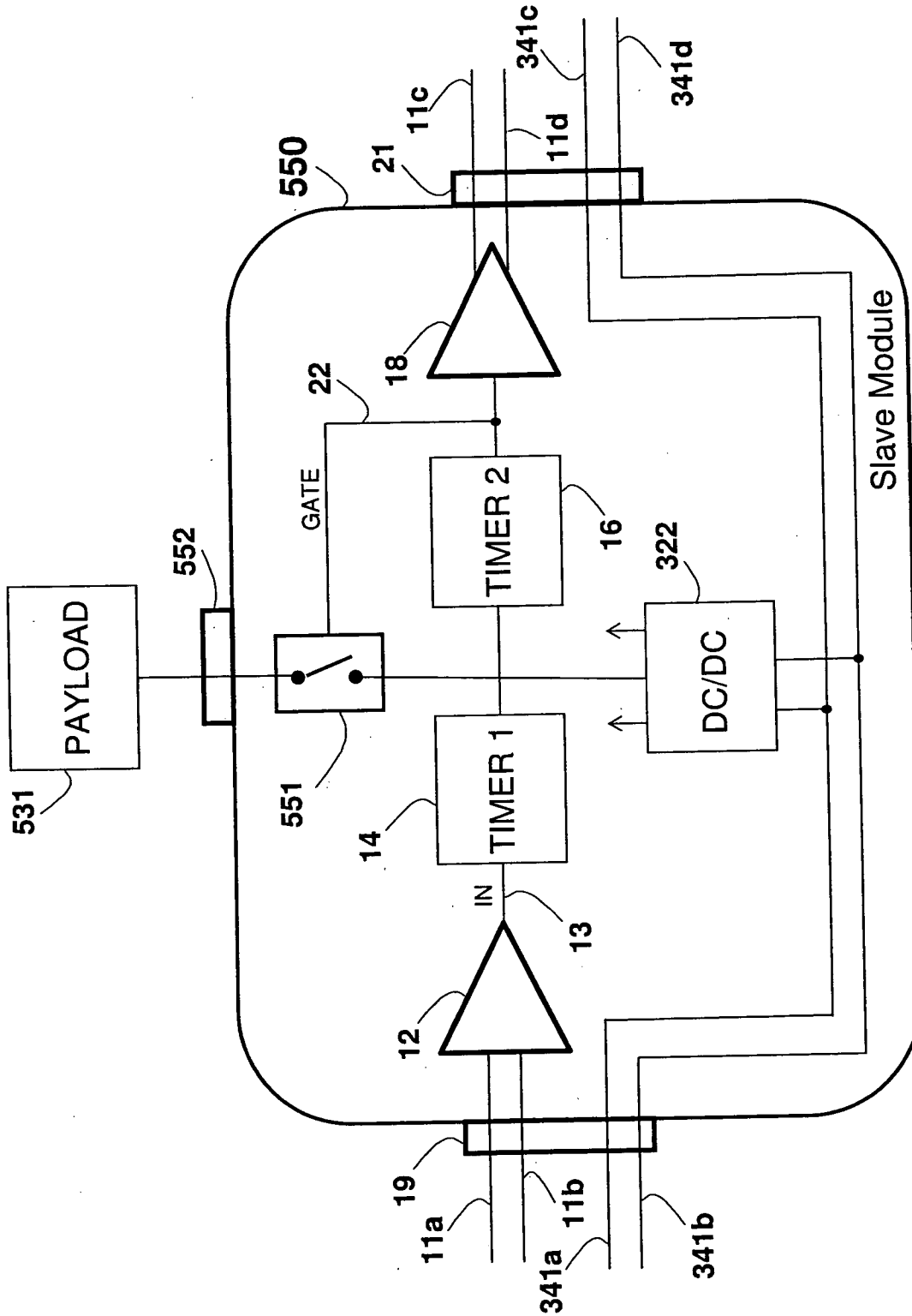


FIG. 55

89/156

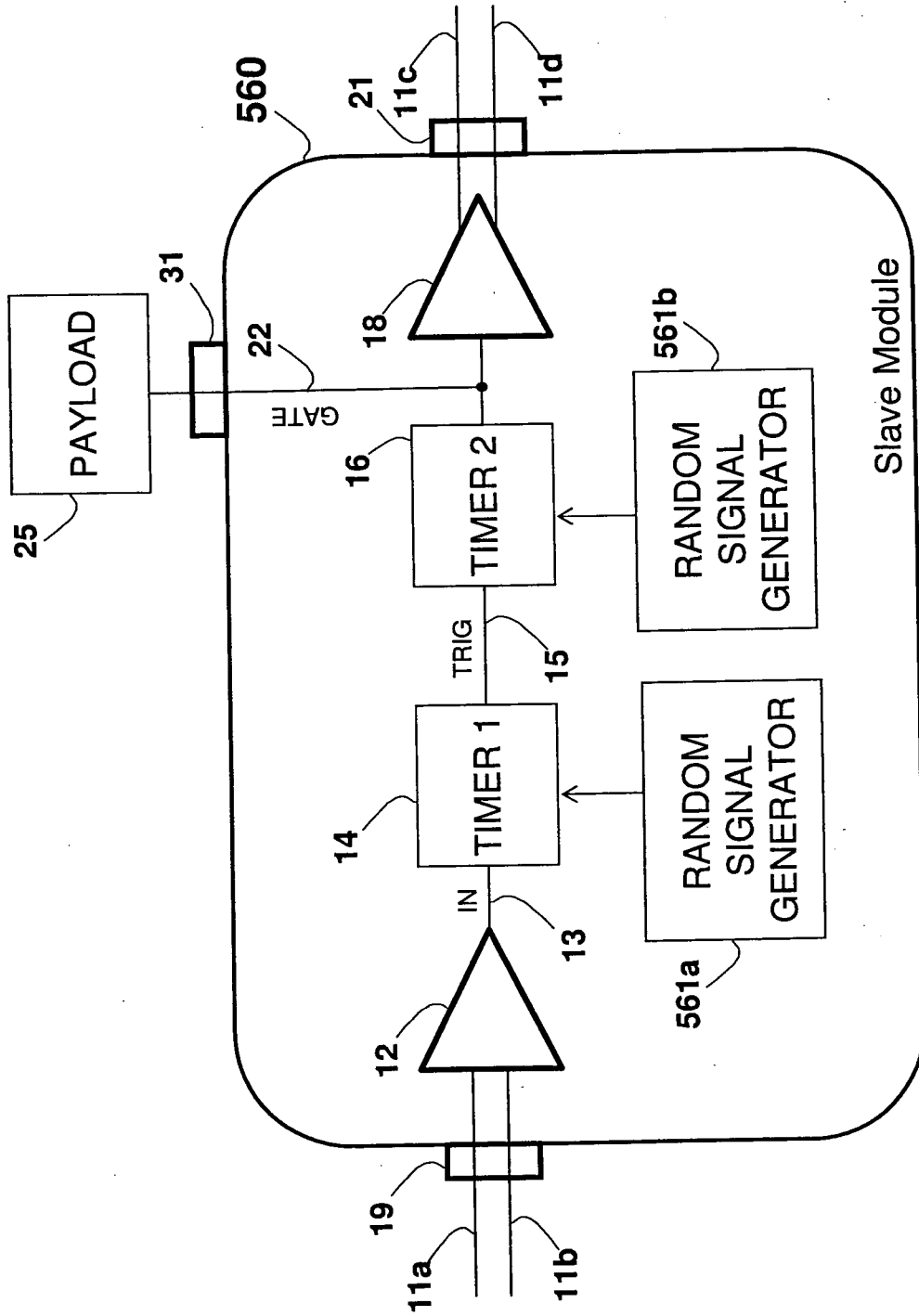


FIG. 56

90/156

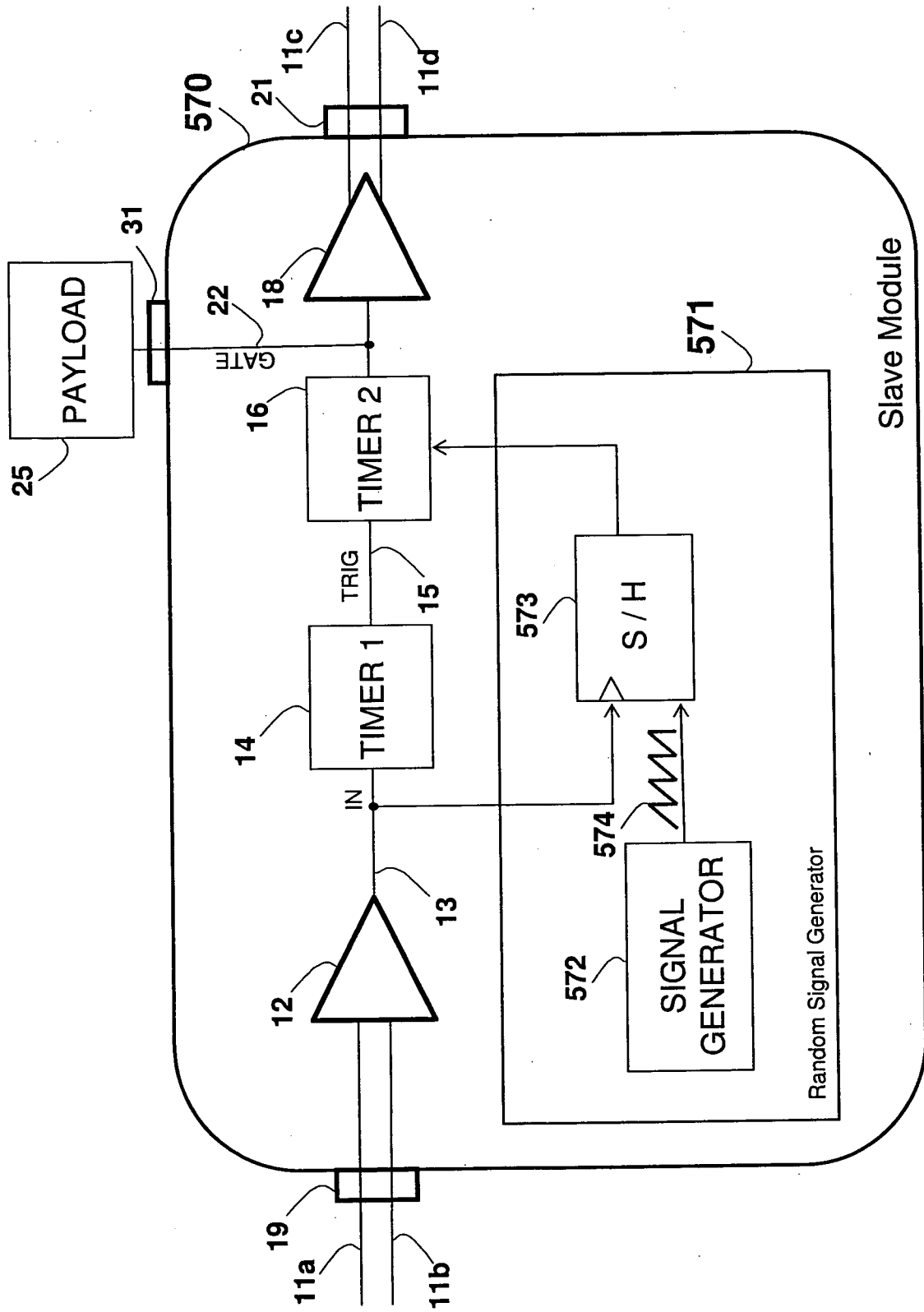


FIG. 57

91/156

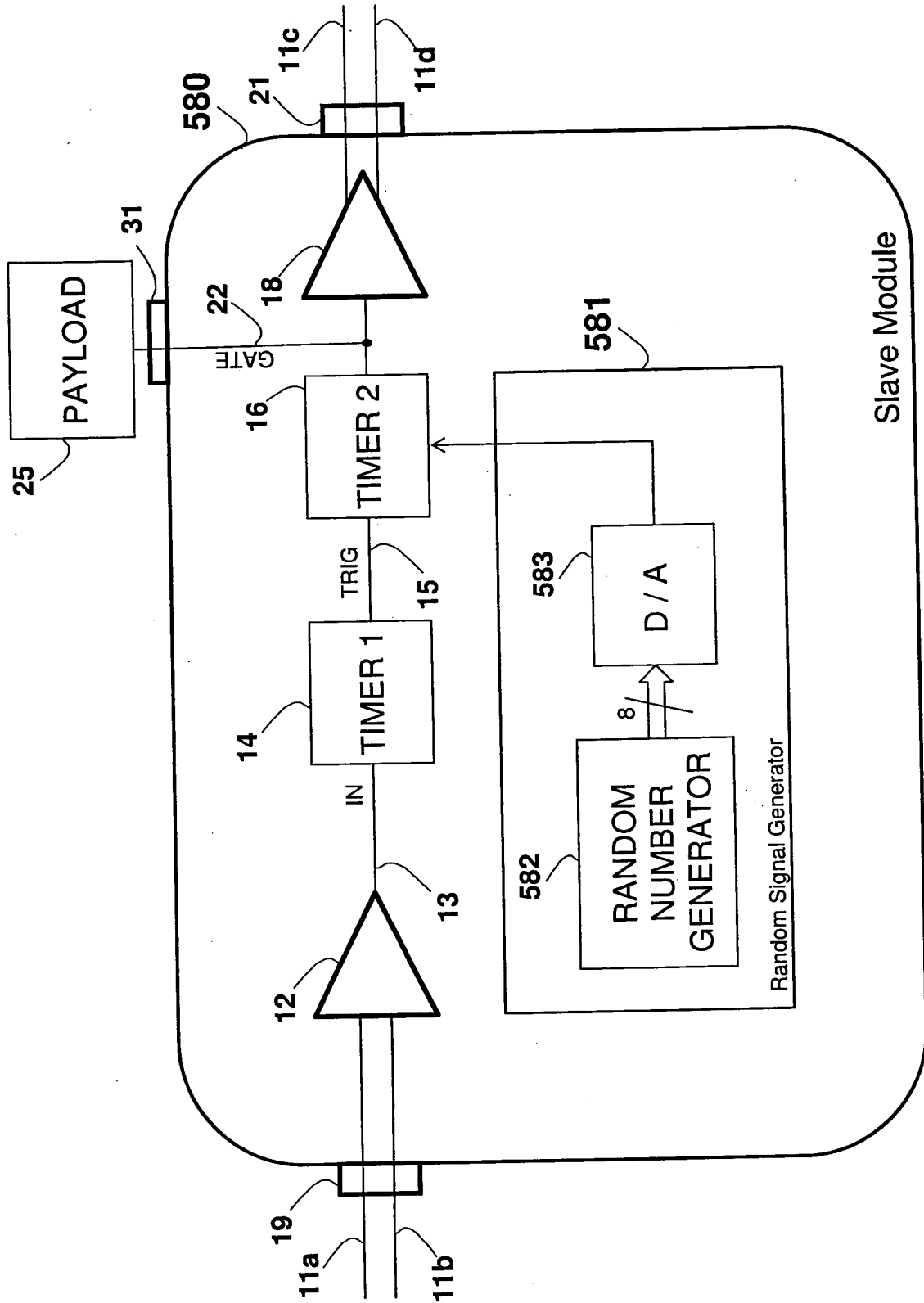


FIG. 58

92/156

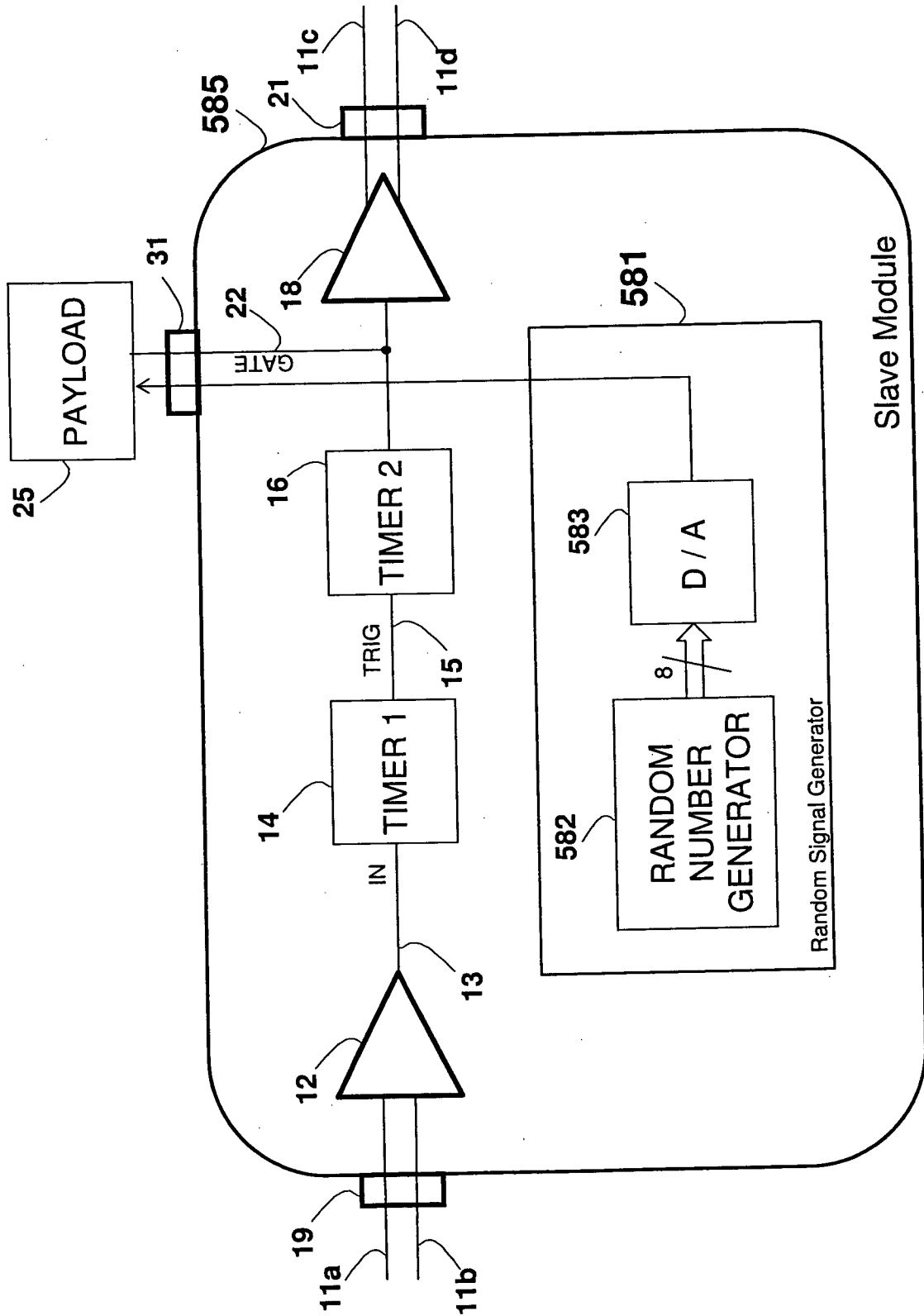


FIG. 58a

93/156

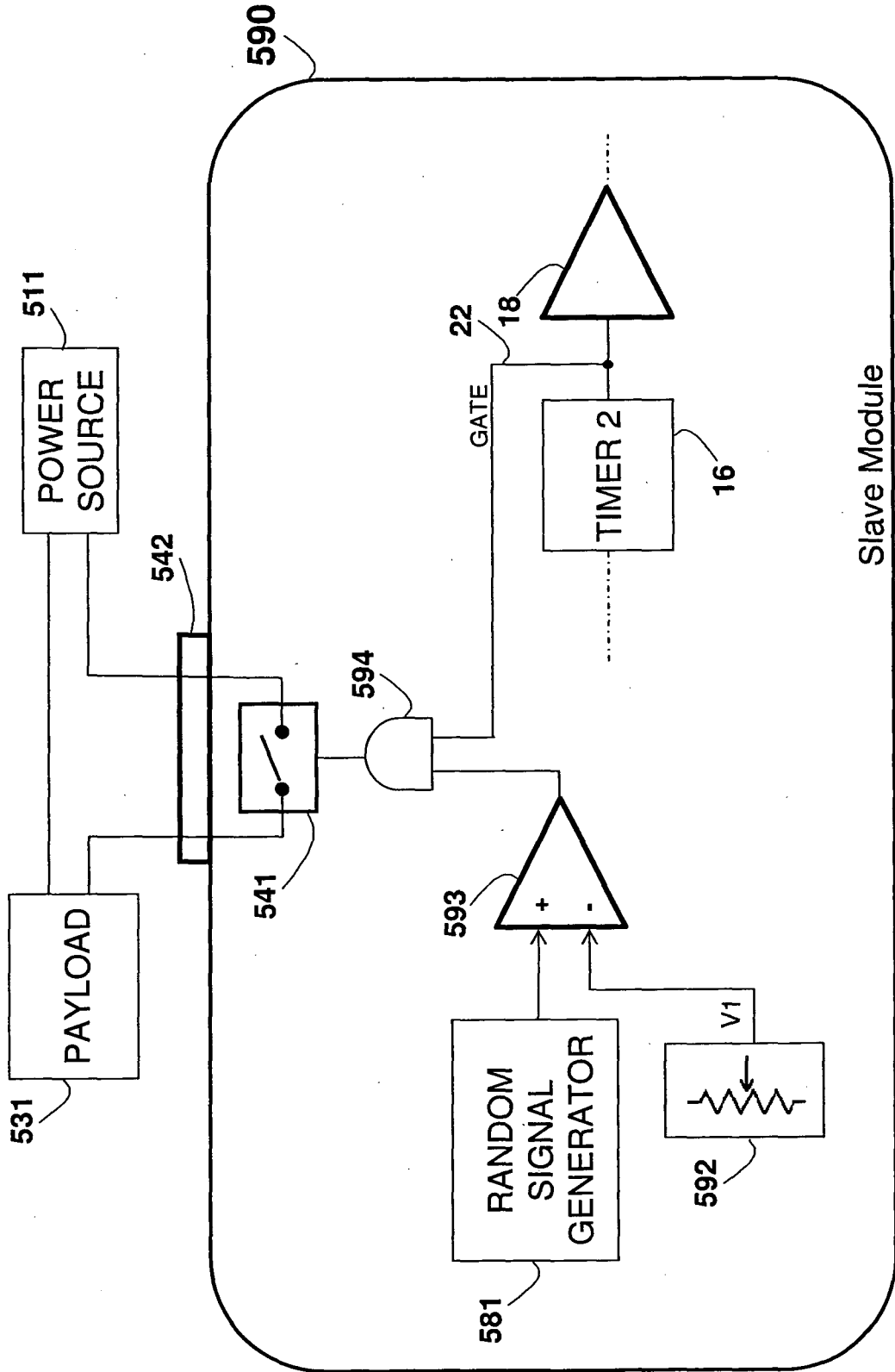
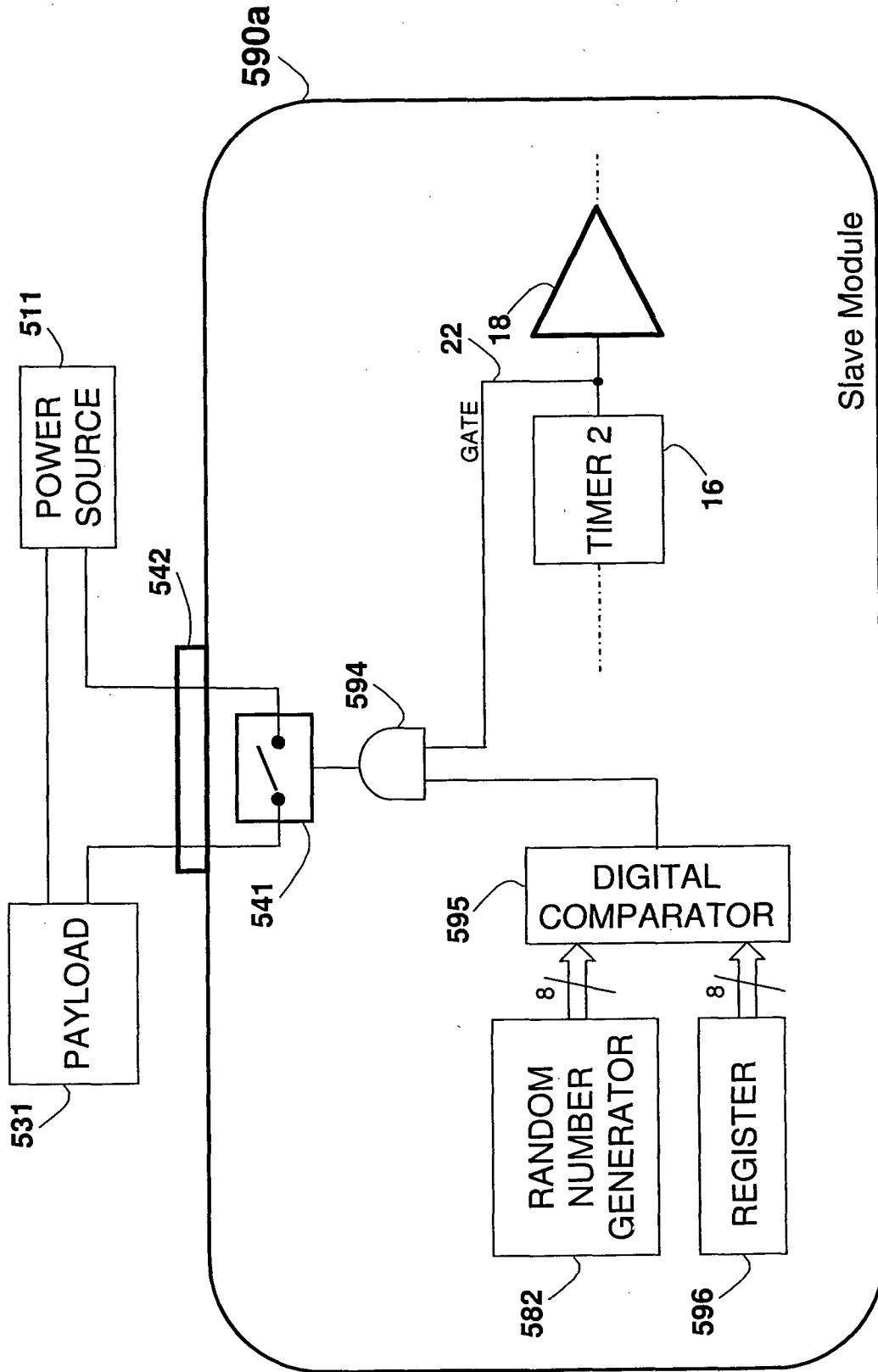


FIG. 59

94/156



Slave Module

FIG. 59a

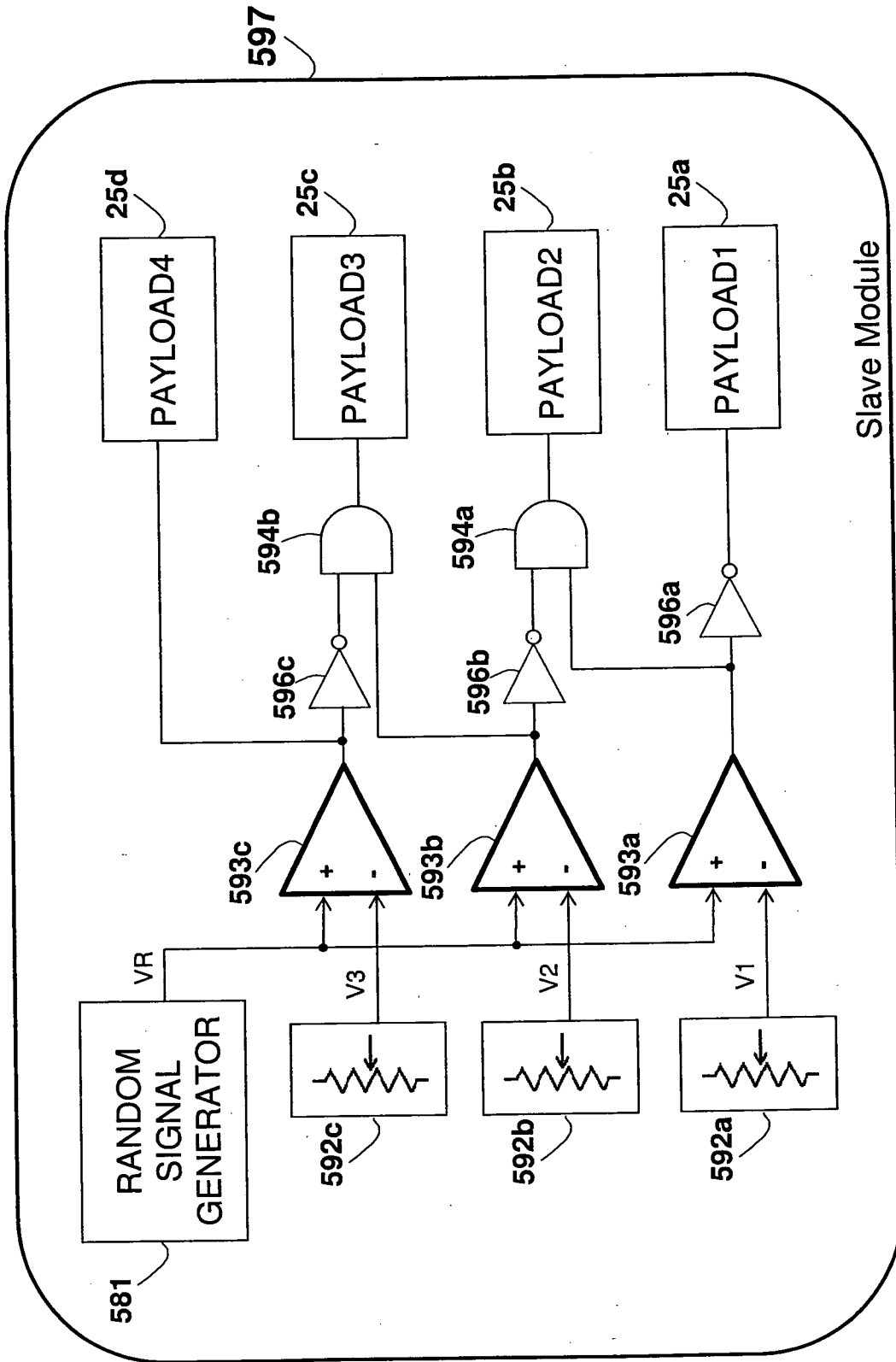


FIG. 59b

96/156

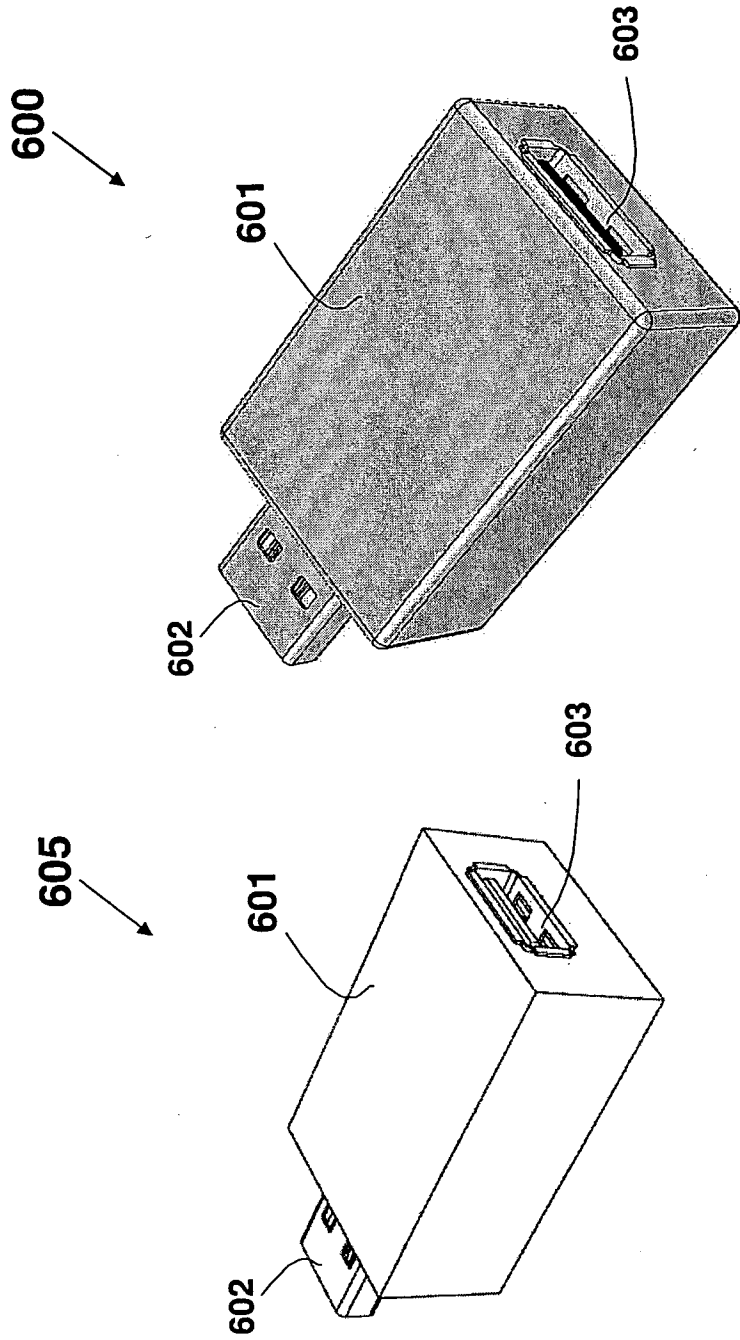


FIG. 60

97/156

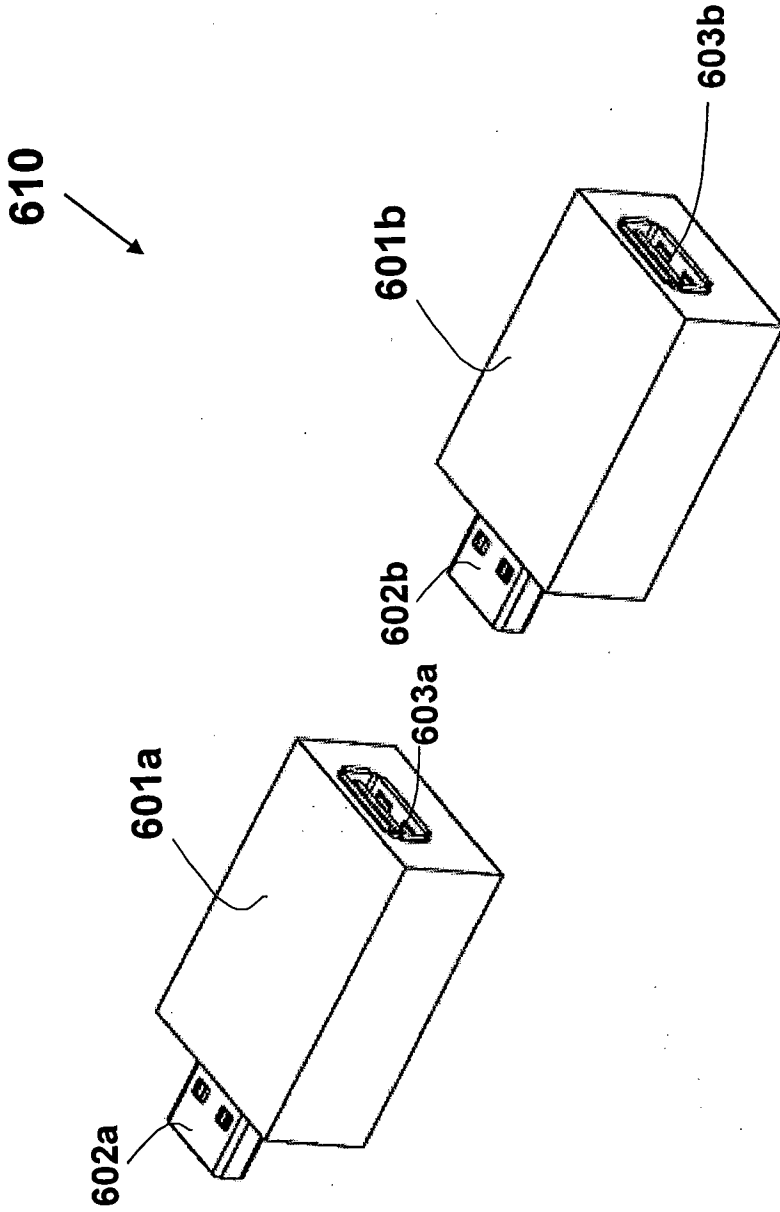


FIG. 61

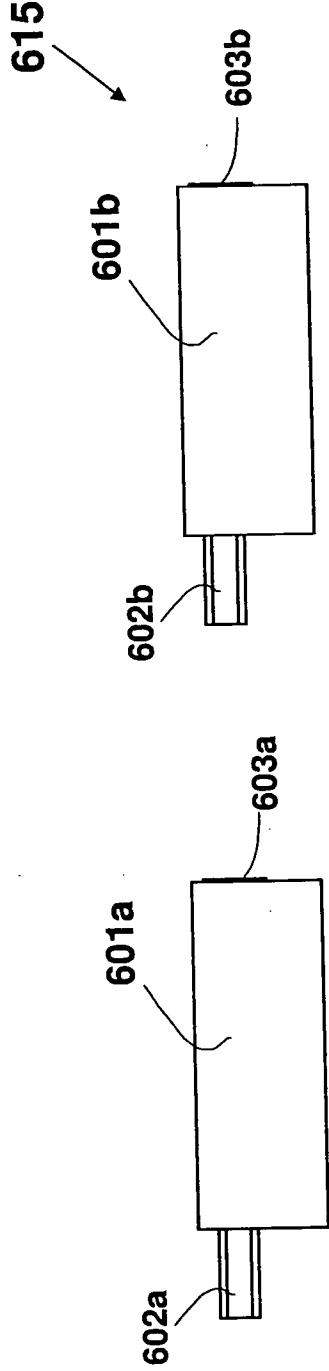


FIG. 61a

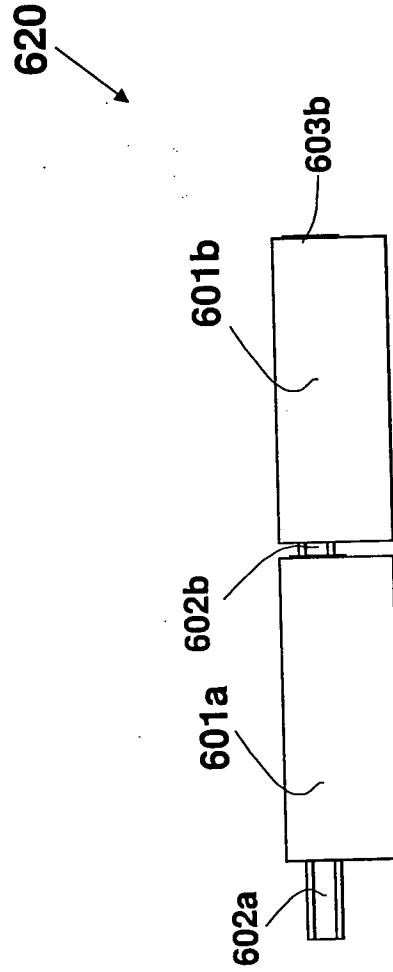


FIG. 62

99/156

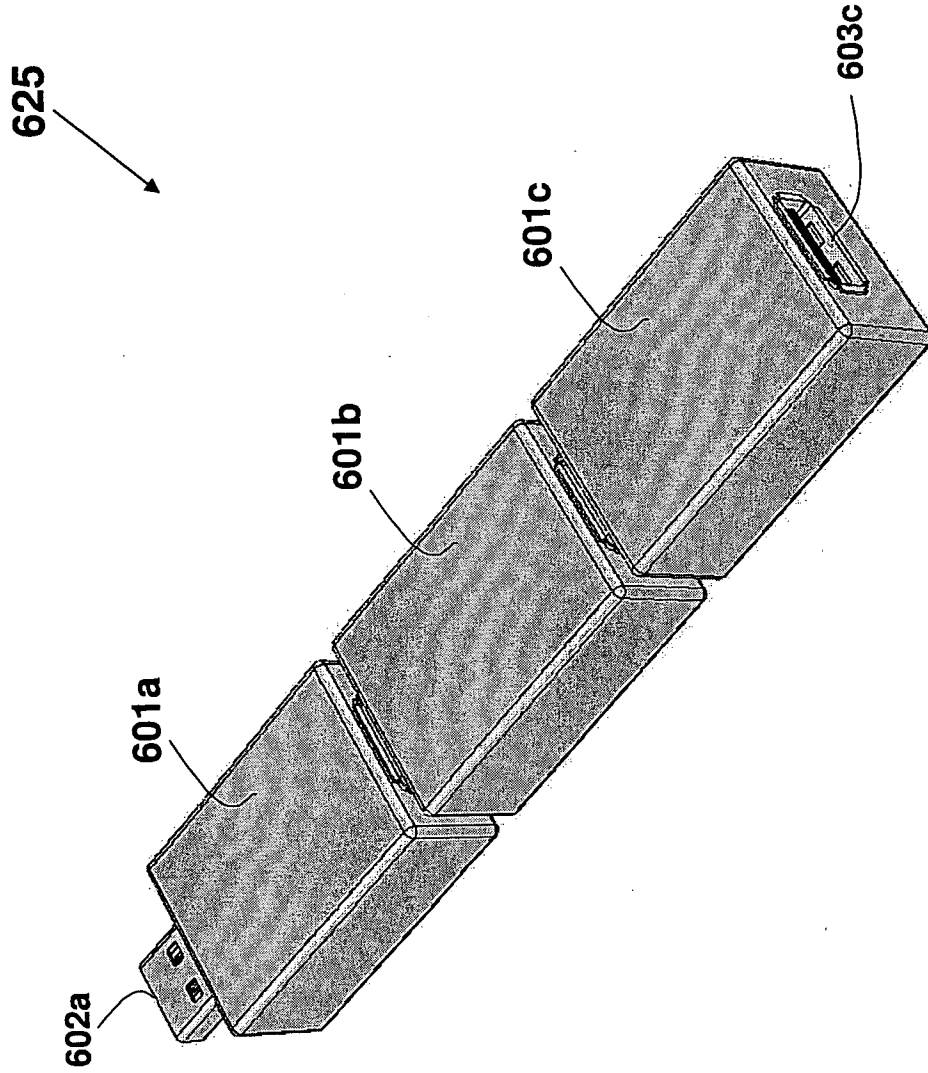


FIG. 62a

100/156

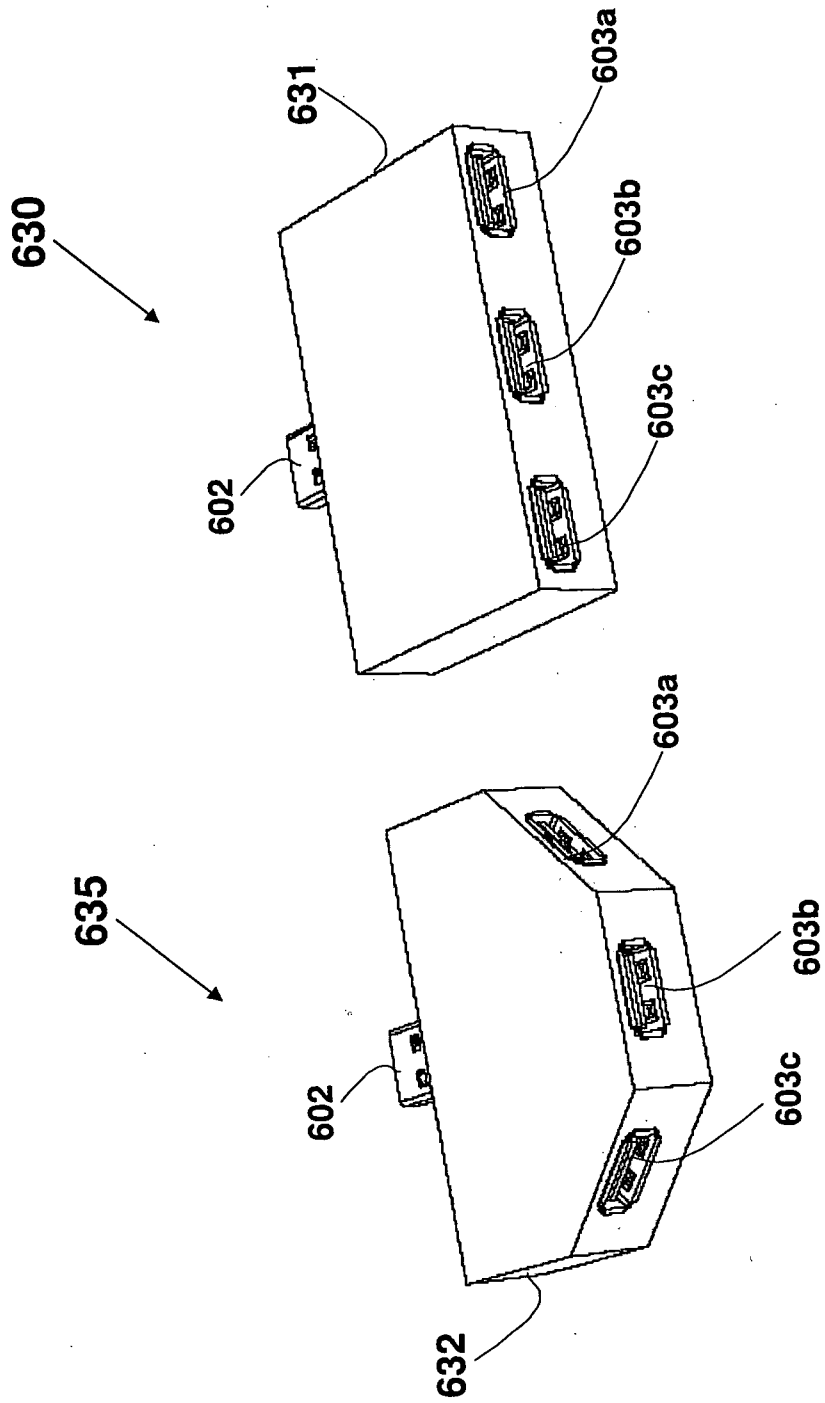


FIG. 63

101/156

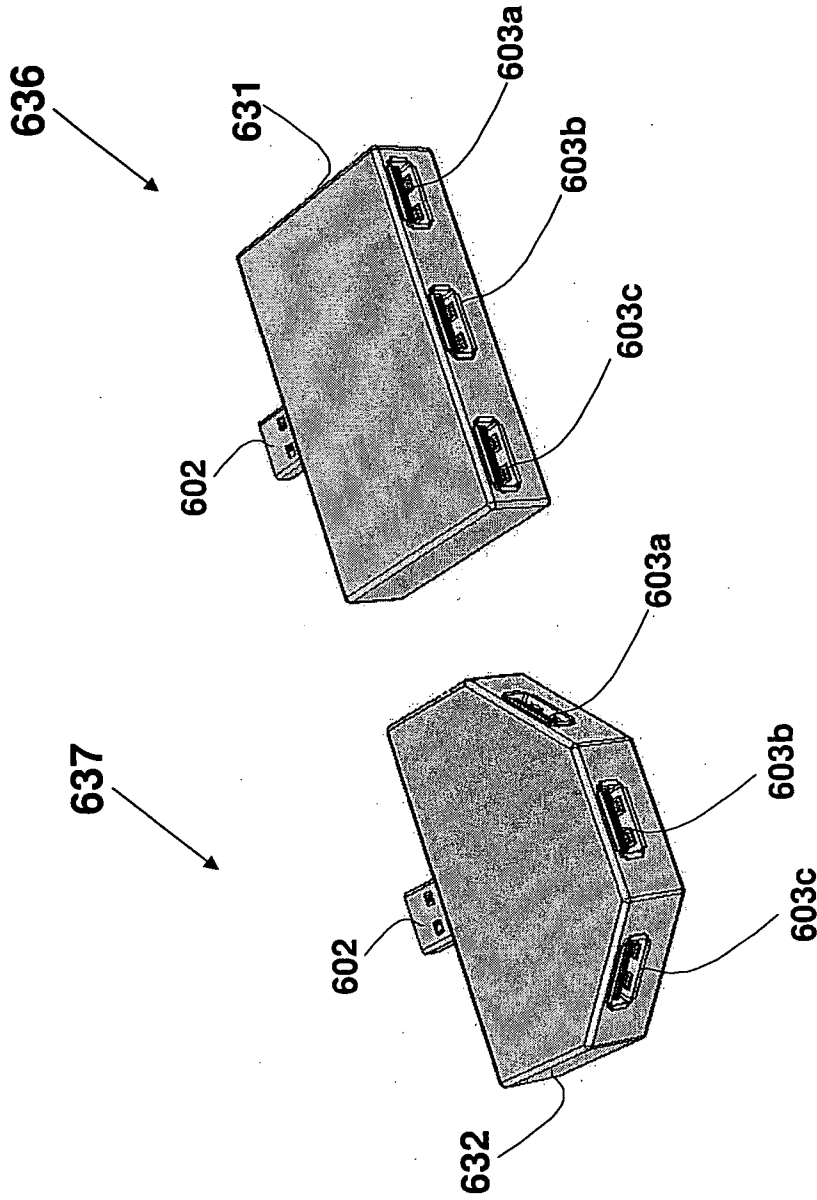


FIG. 63a

102/156

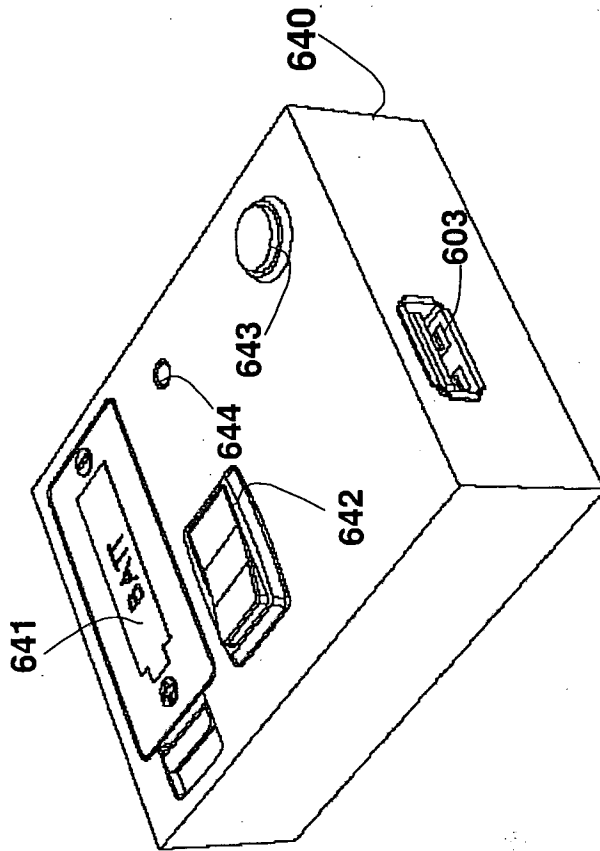


FIG. 64

103/156

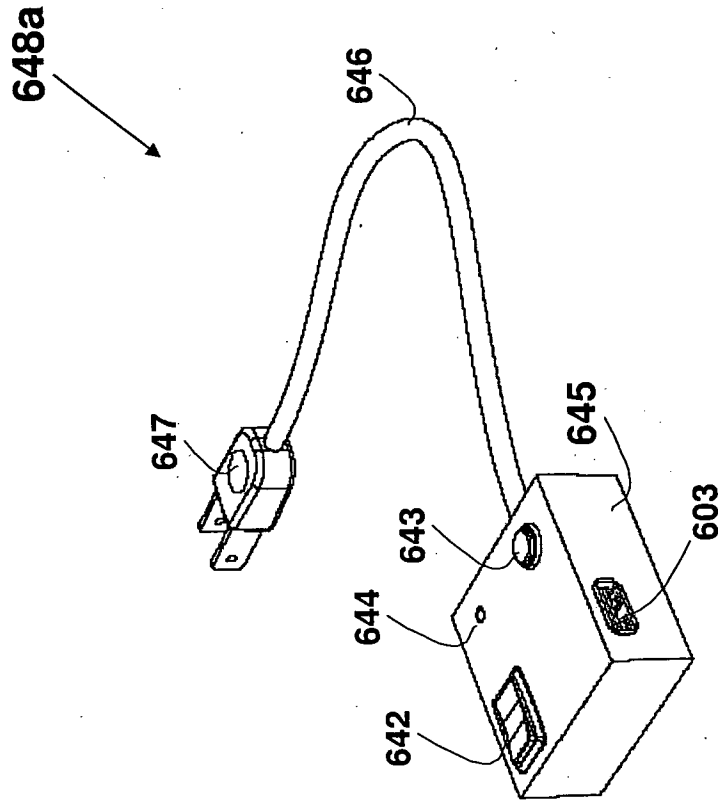


FIG. 64a

104/156

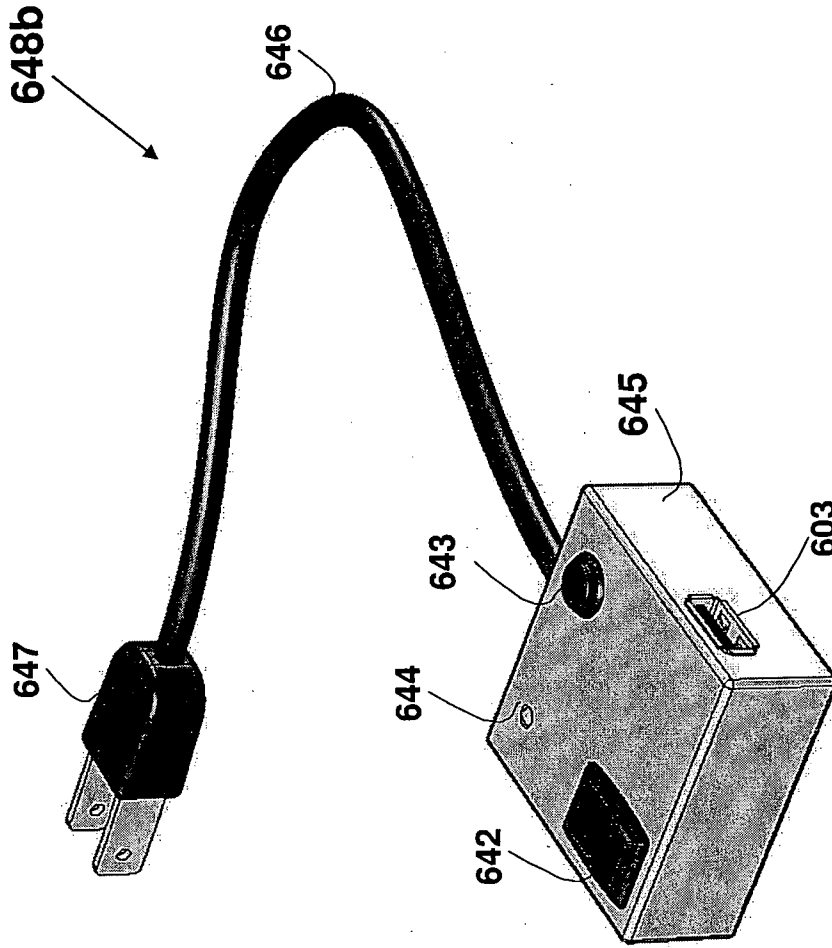


FIG. 64b

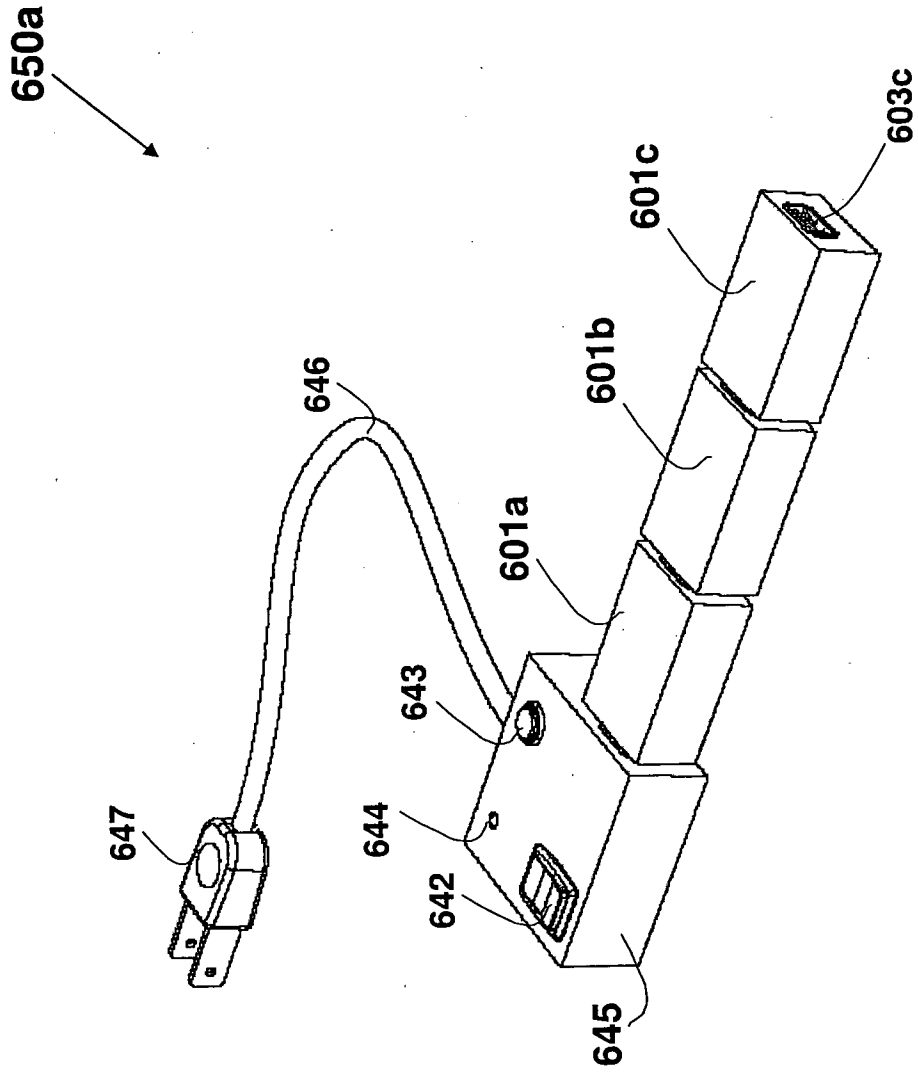


FIG. 65

106/156

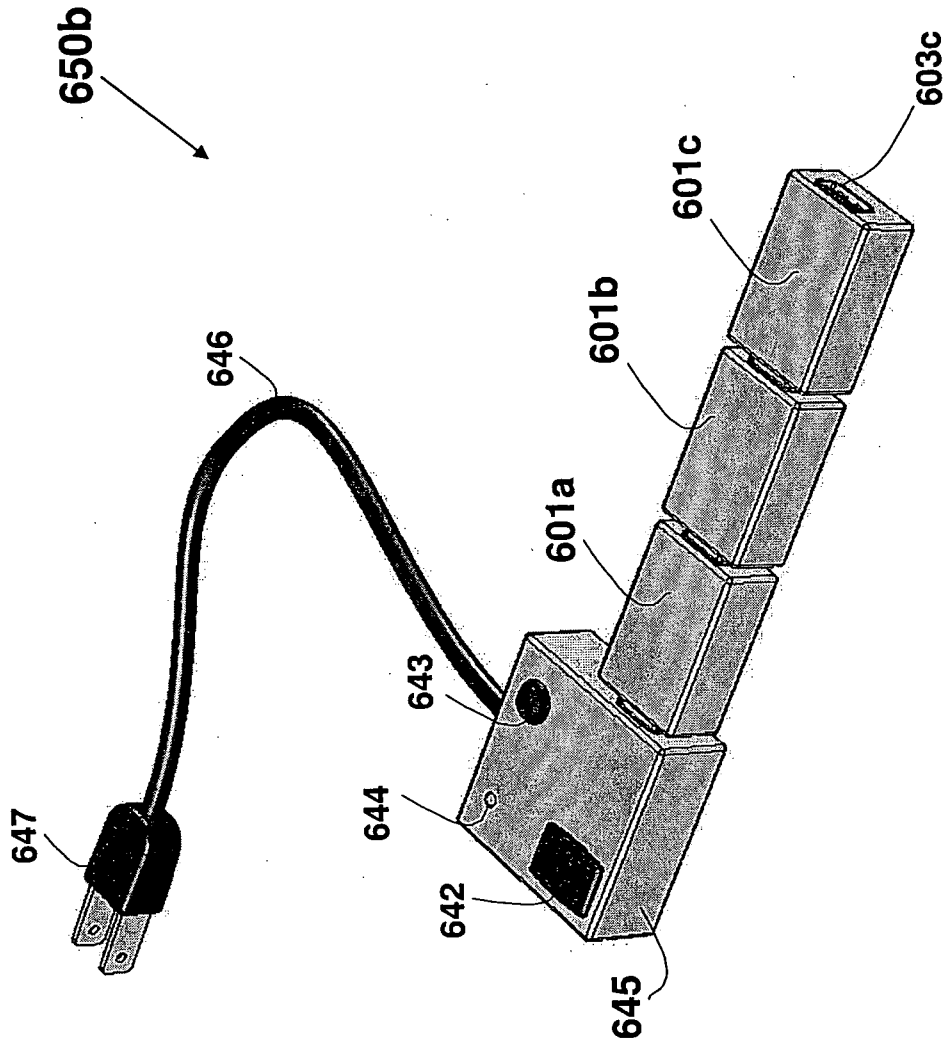


FIG. 65a

107/156

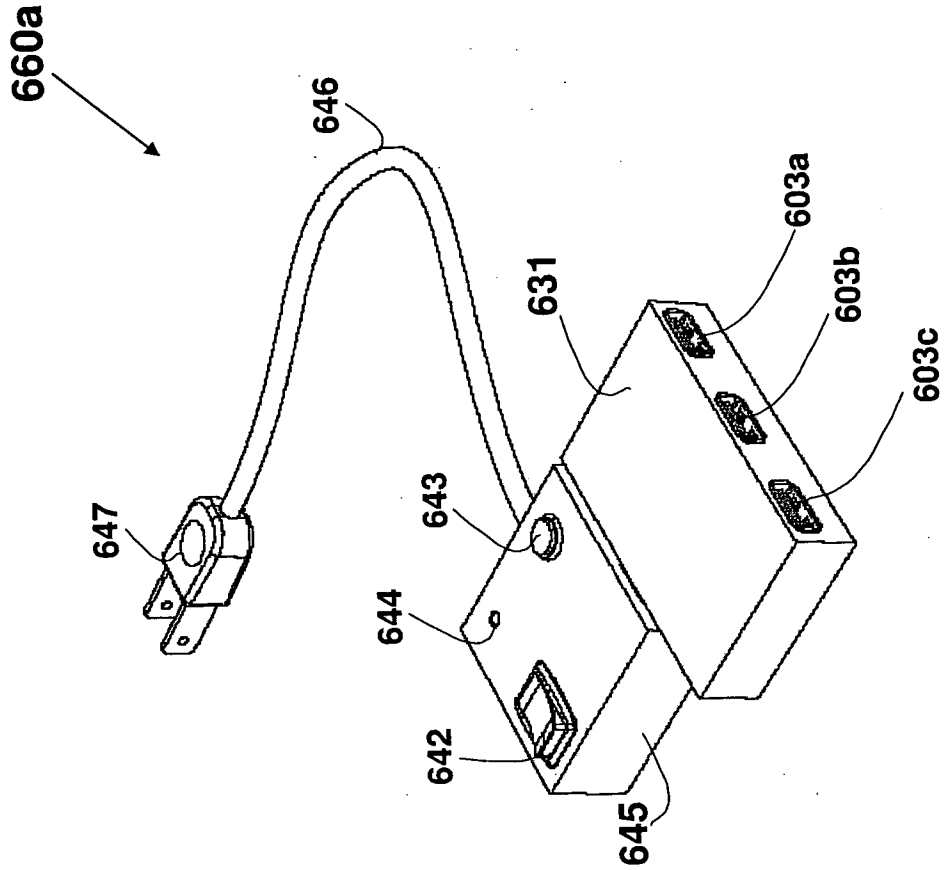


FIG. 66

108/156

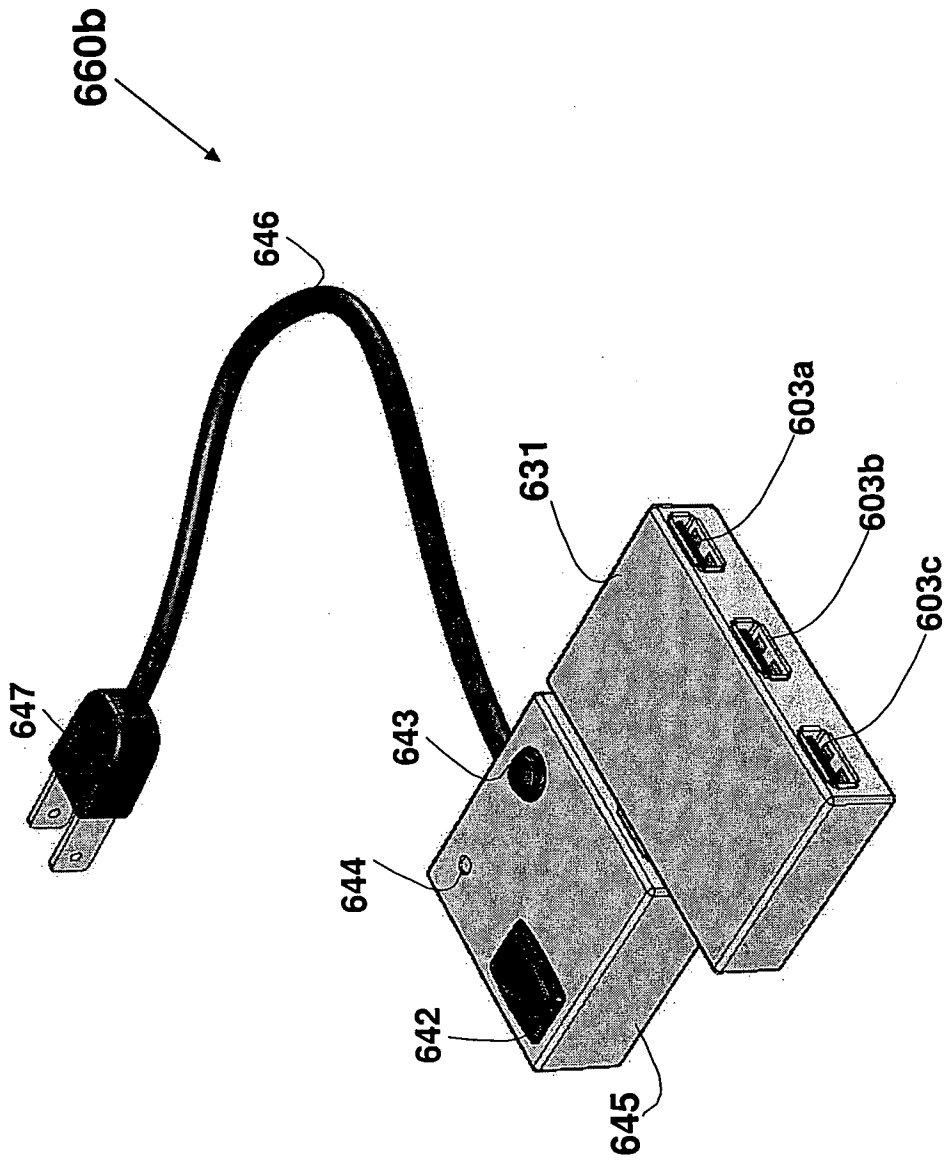


FIG. 66a

109/156

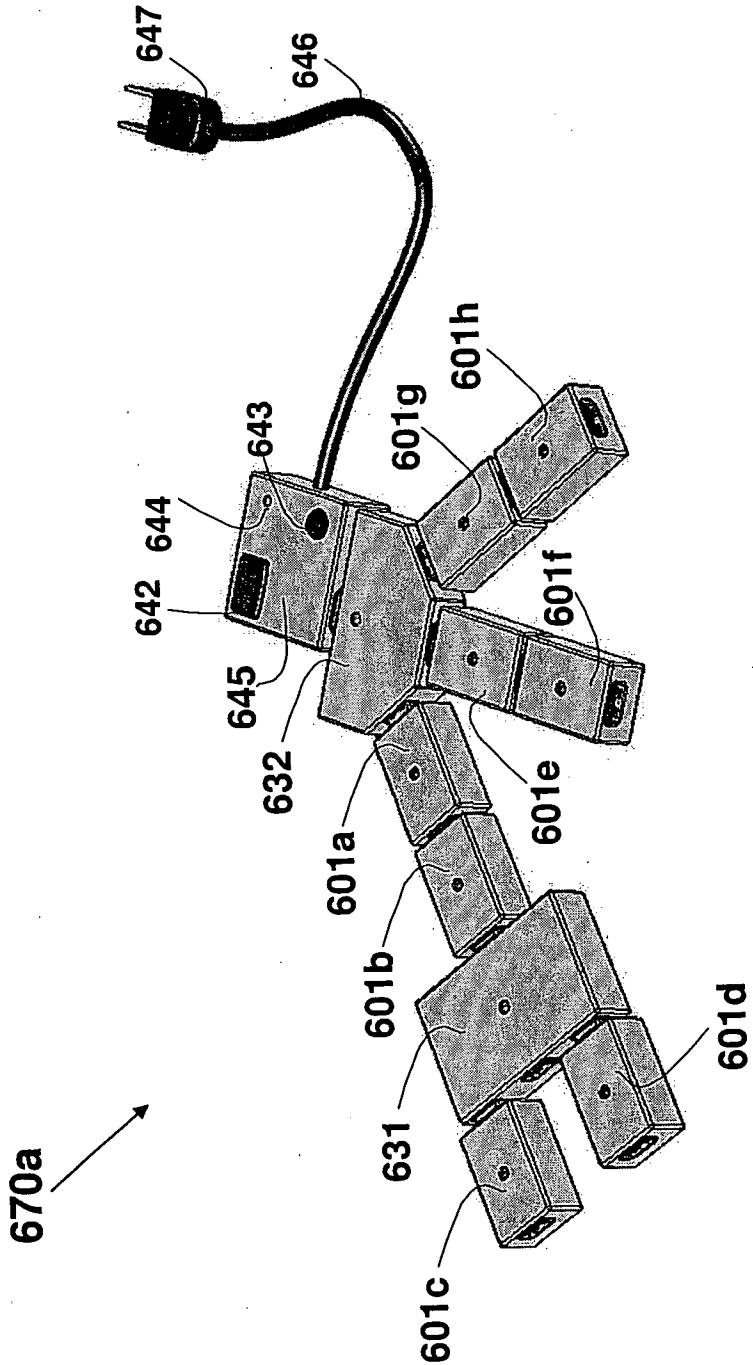


FIG. 67

110/156

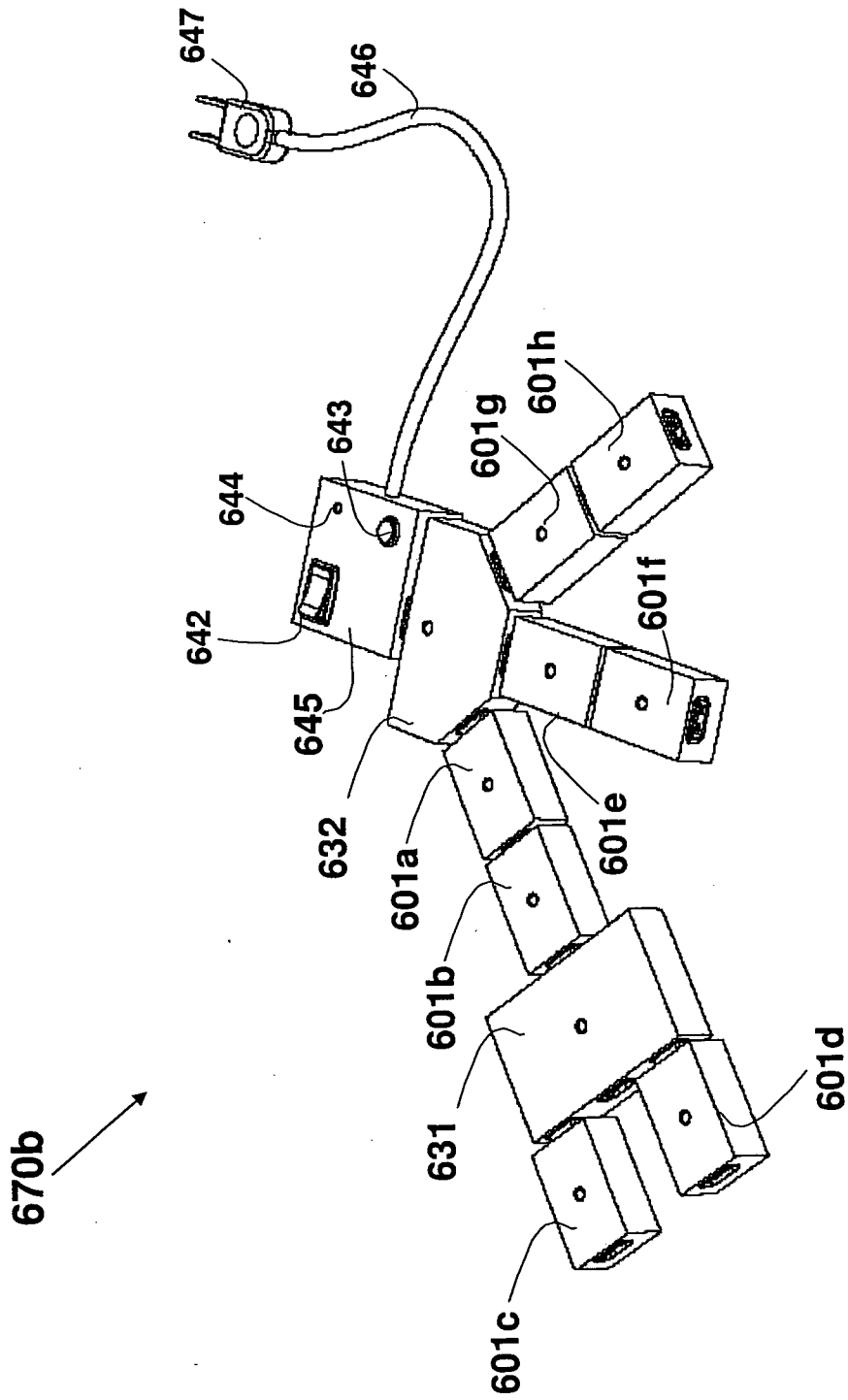


FIG. 67a

111/156

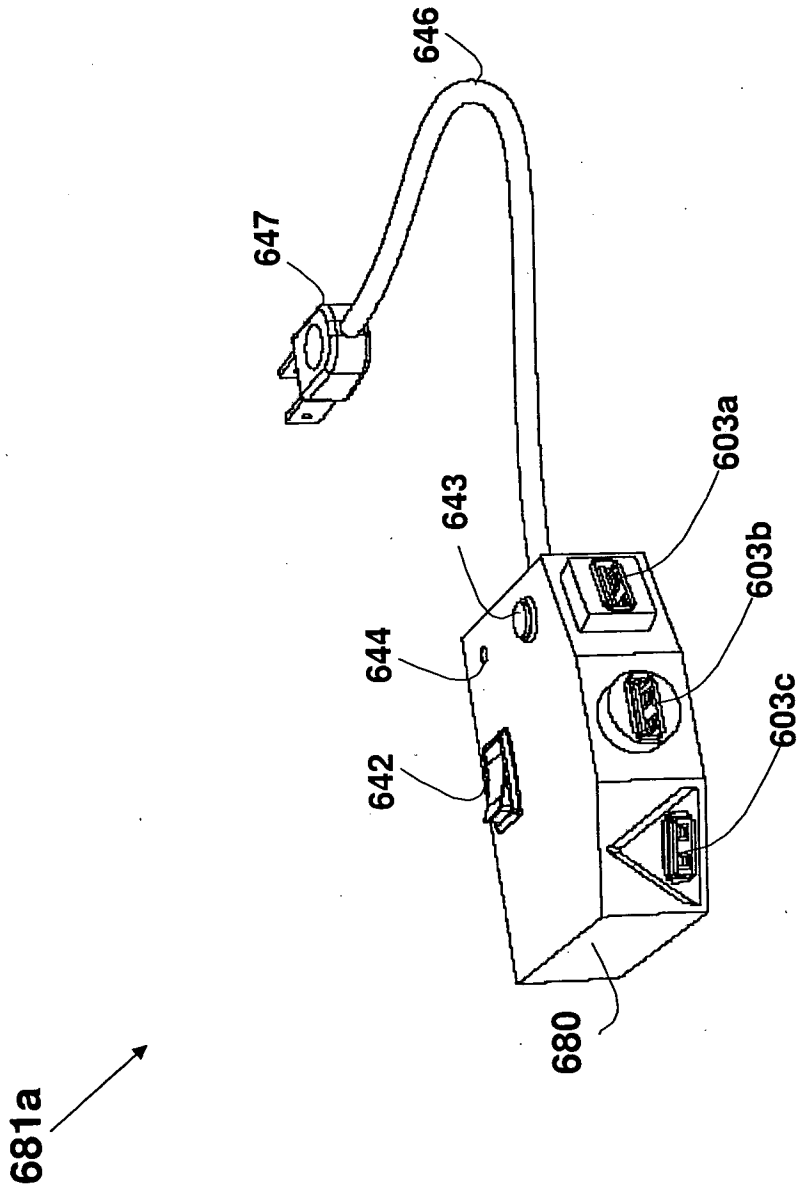


FIG. 68

112/156

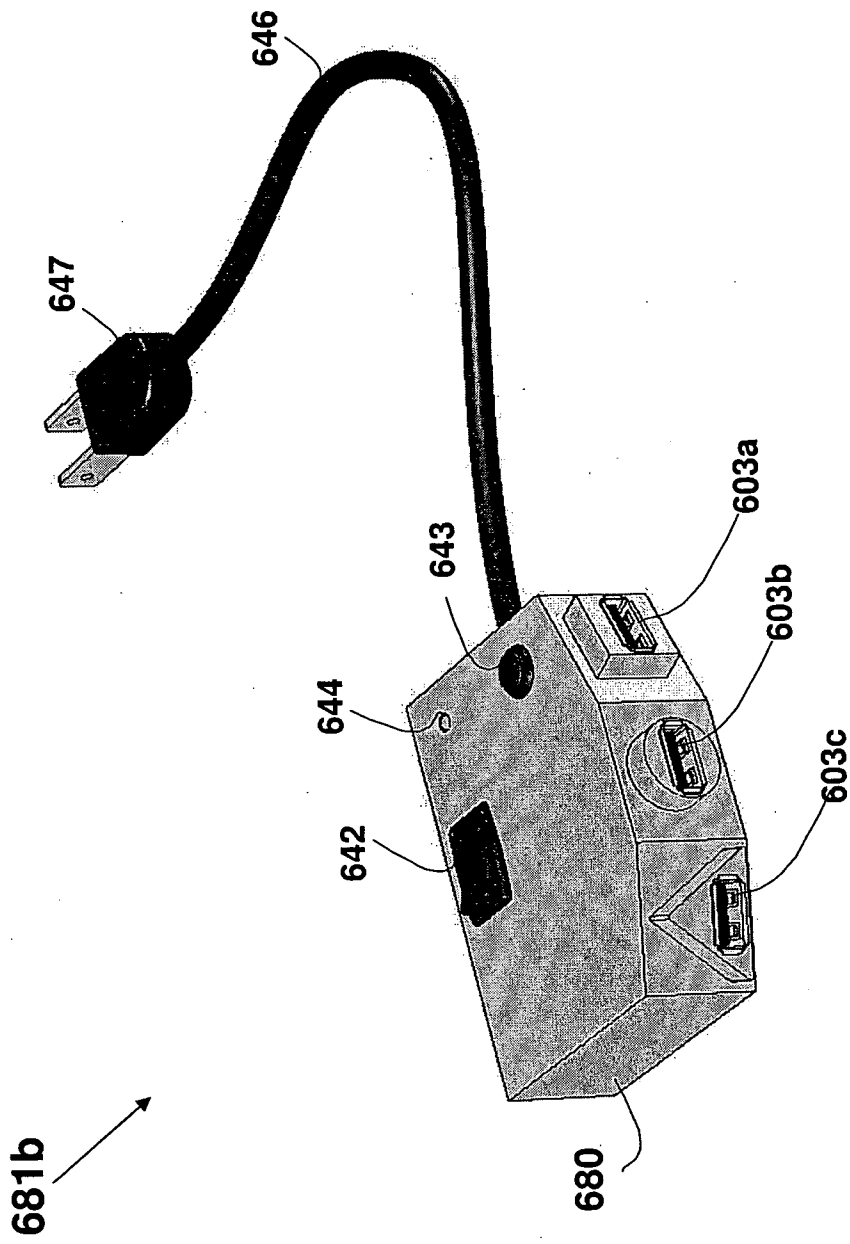


FIG. 68a

113/156

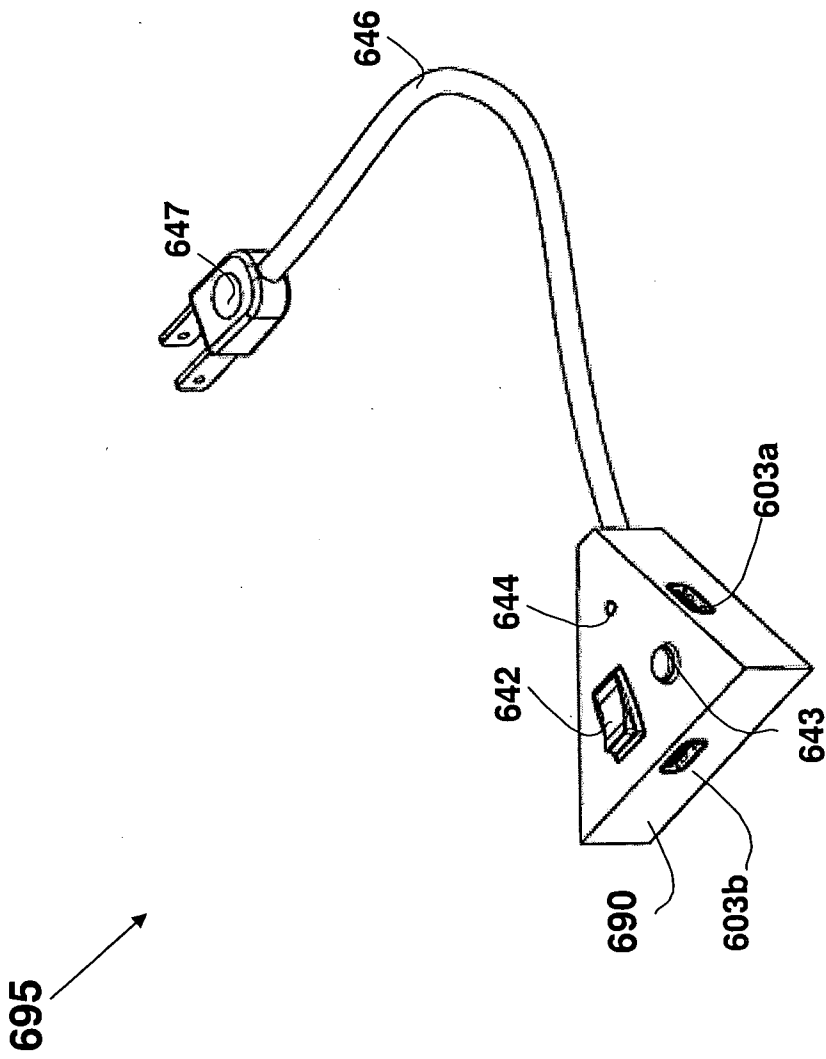


FIG. 69

114/156

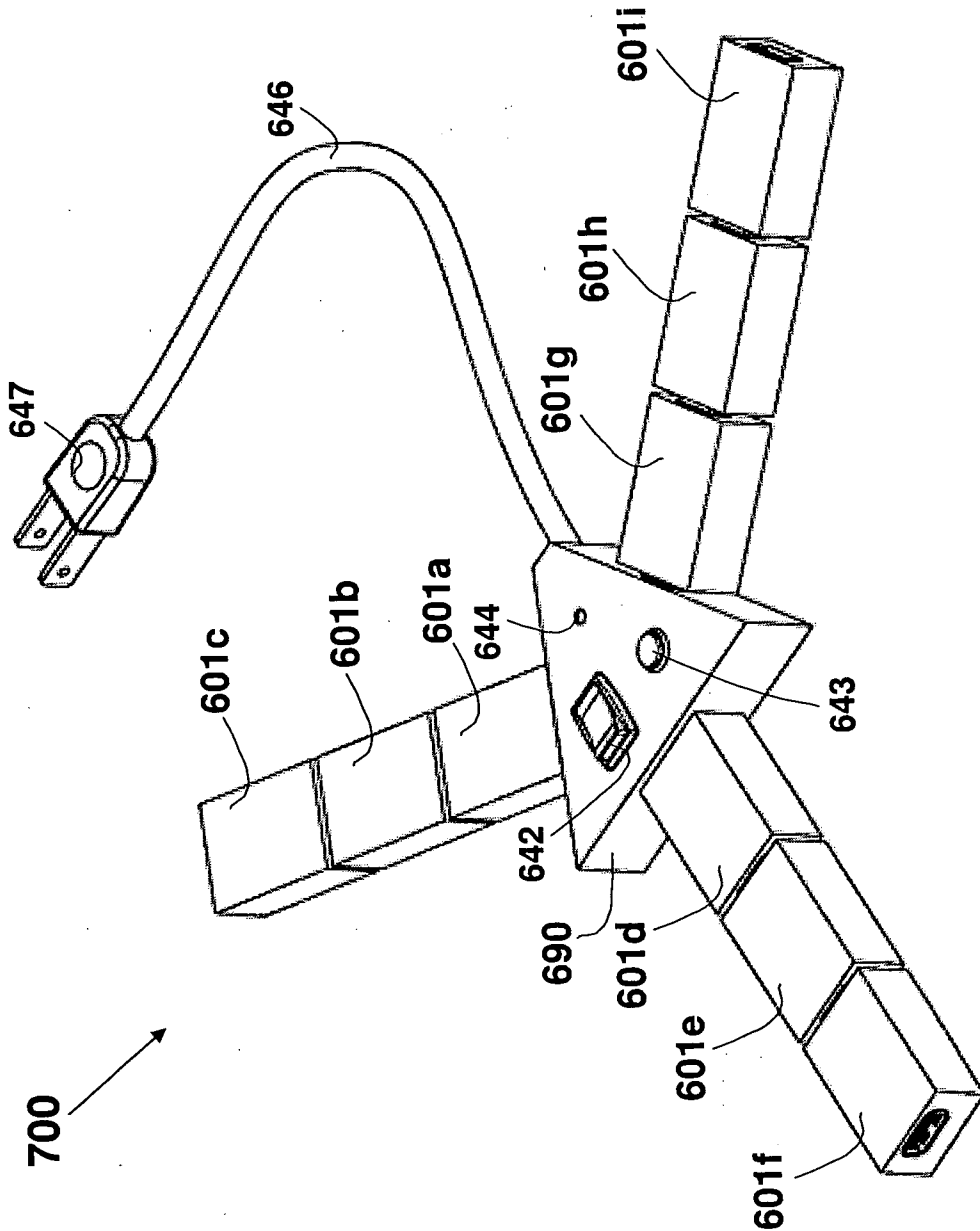


FIG. 70

115/156

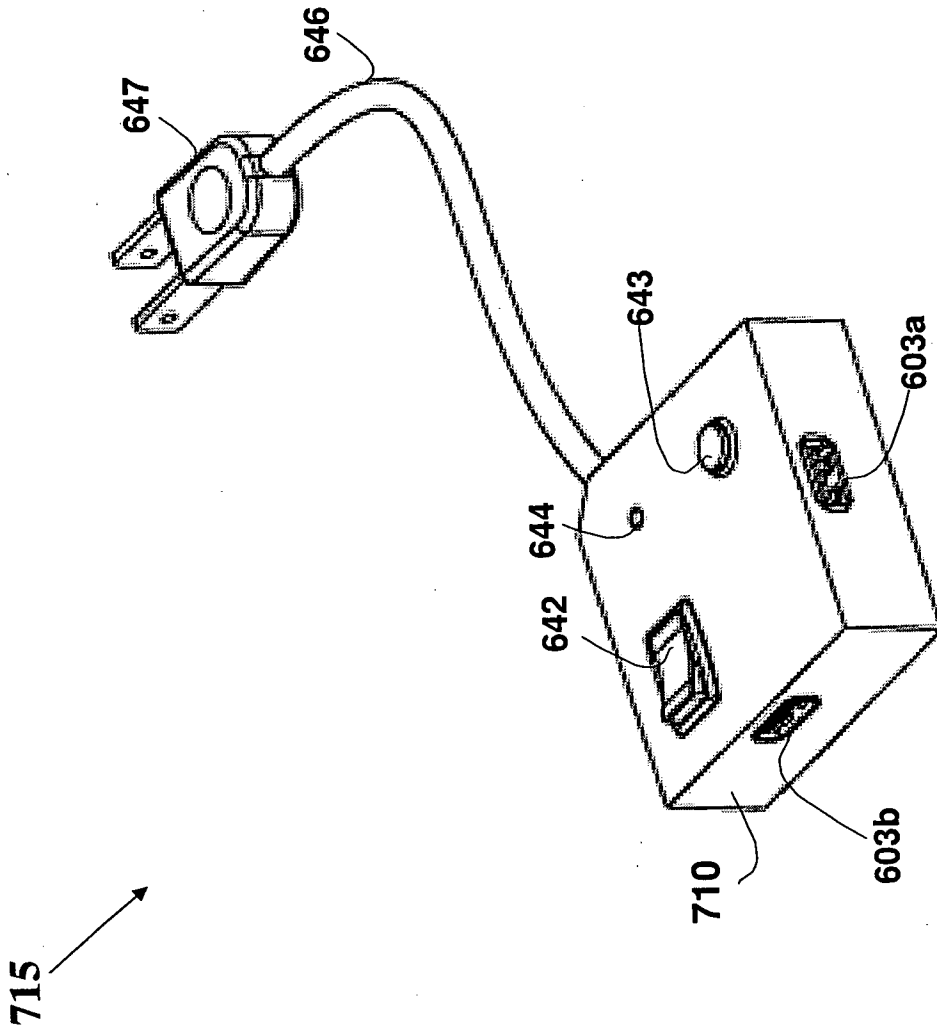


FIG. 71

116/156

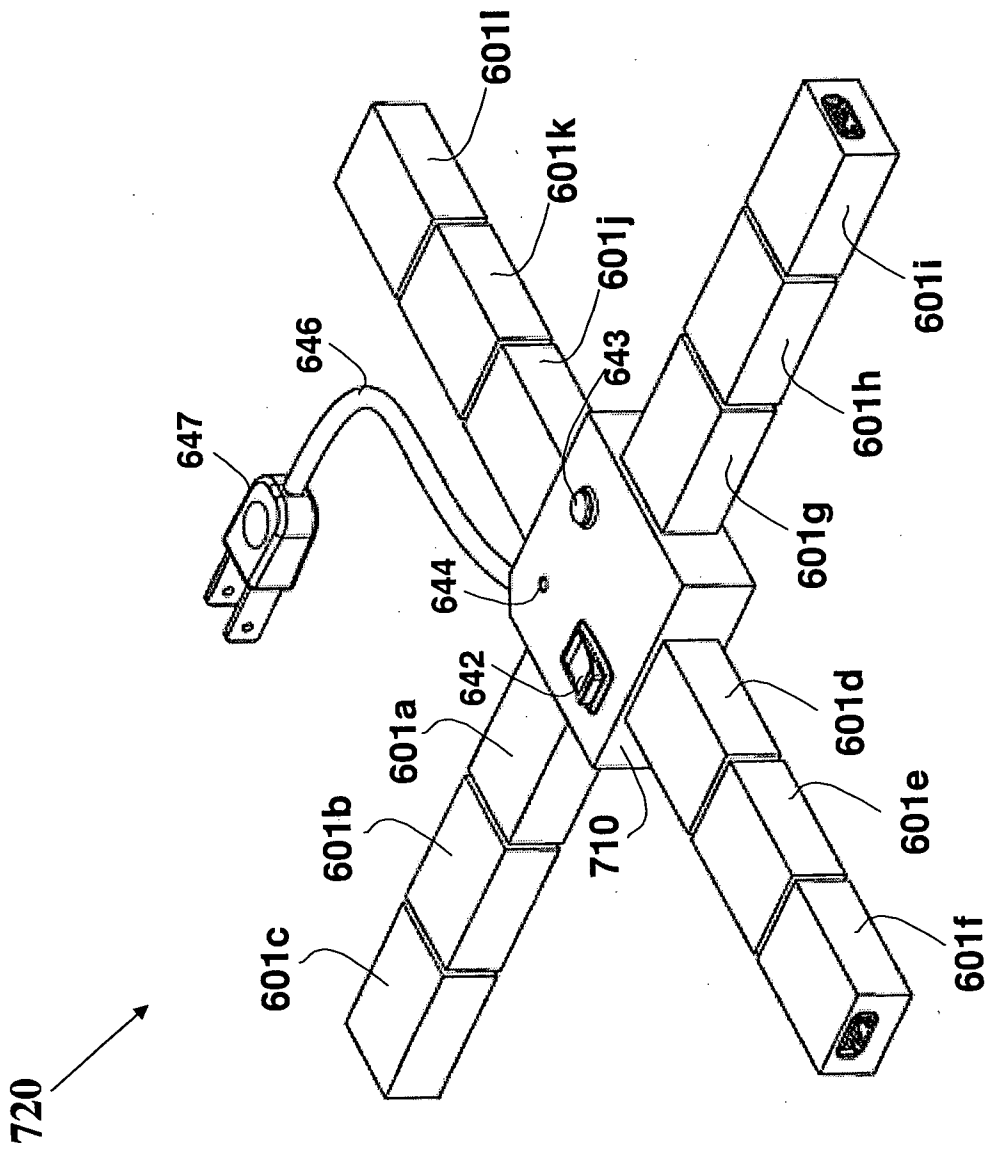


FIG. 72

117/156

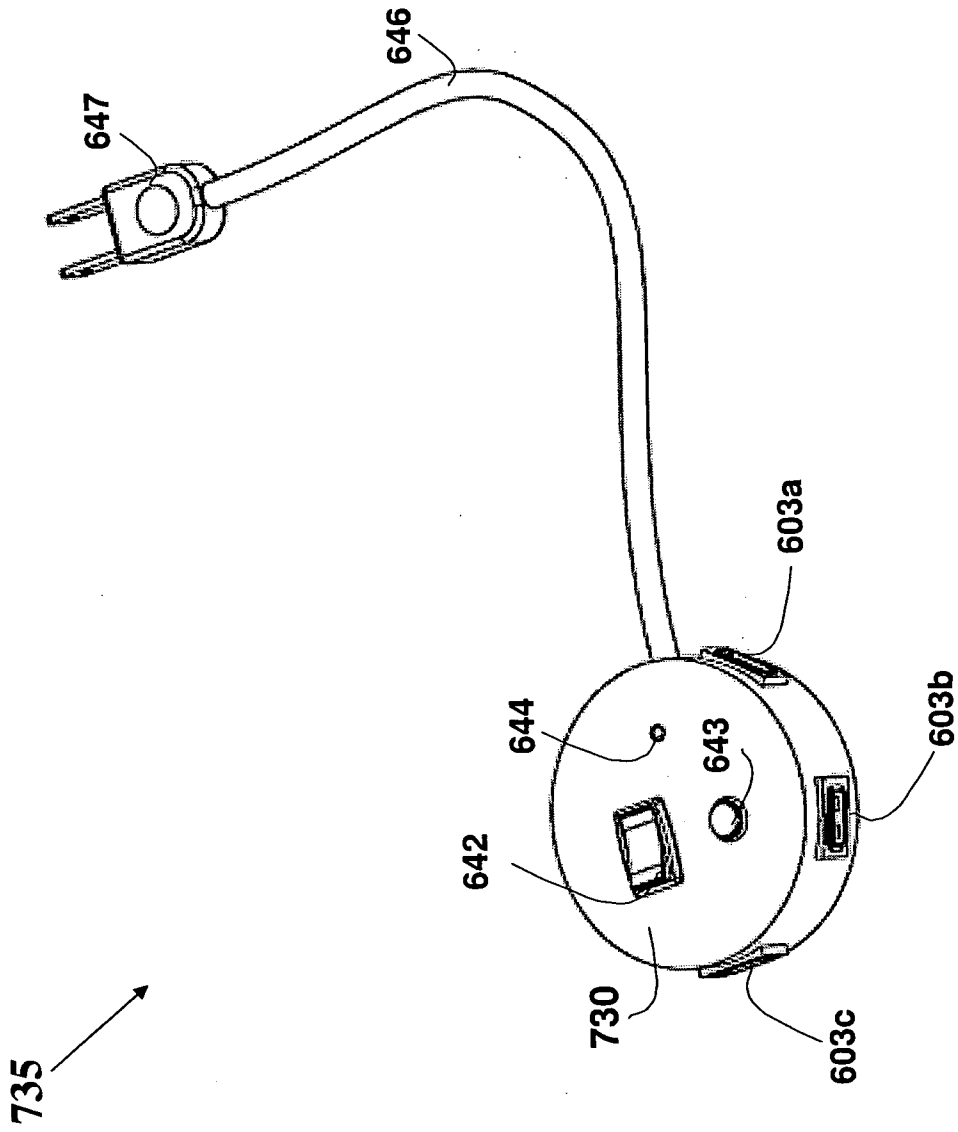


FIG. 73

118/156

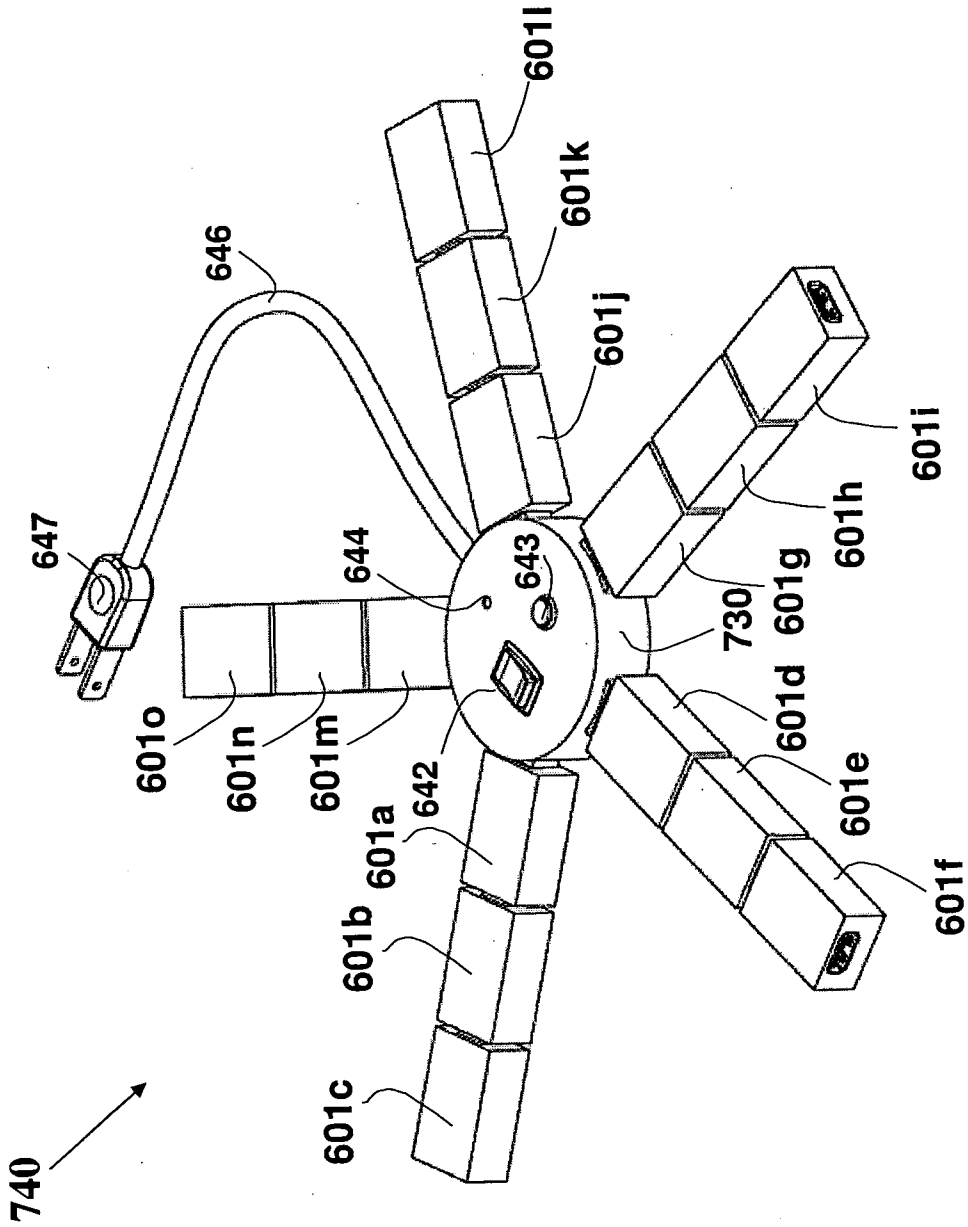


FIG. 74

119/156

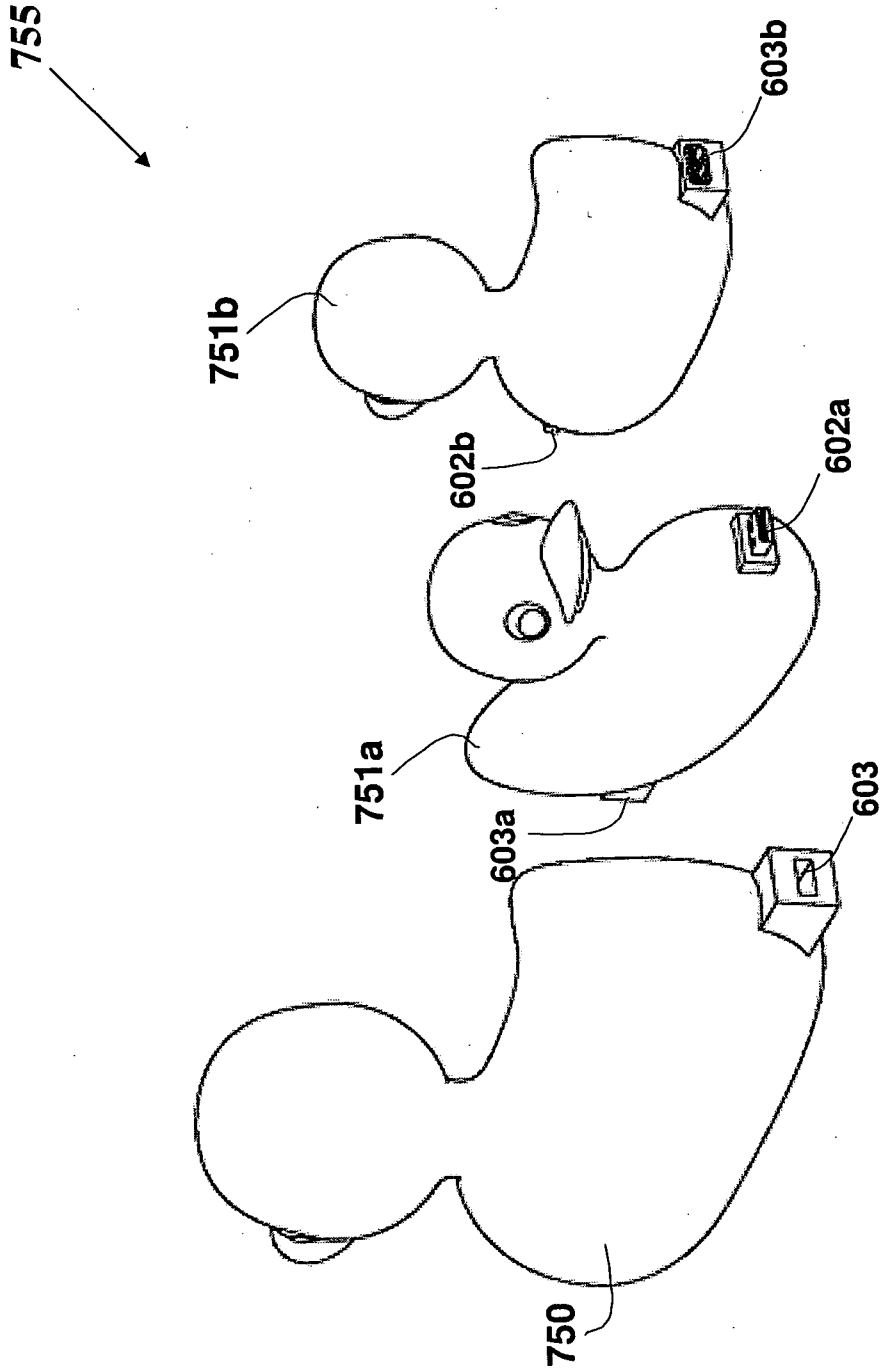


FIG. 75

120/156

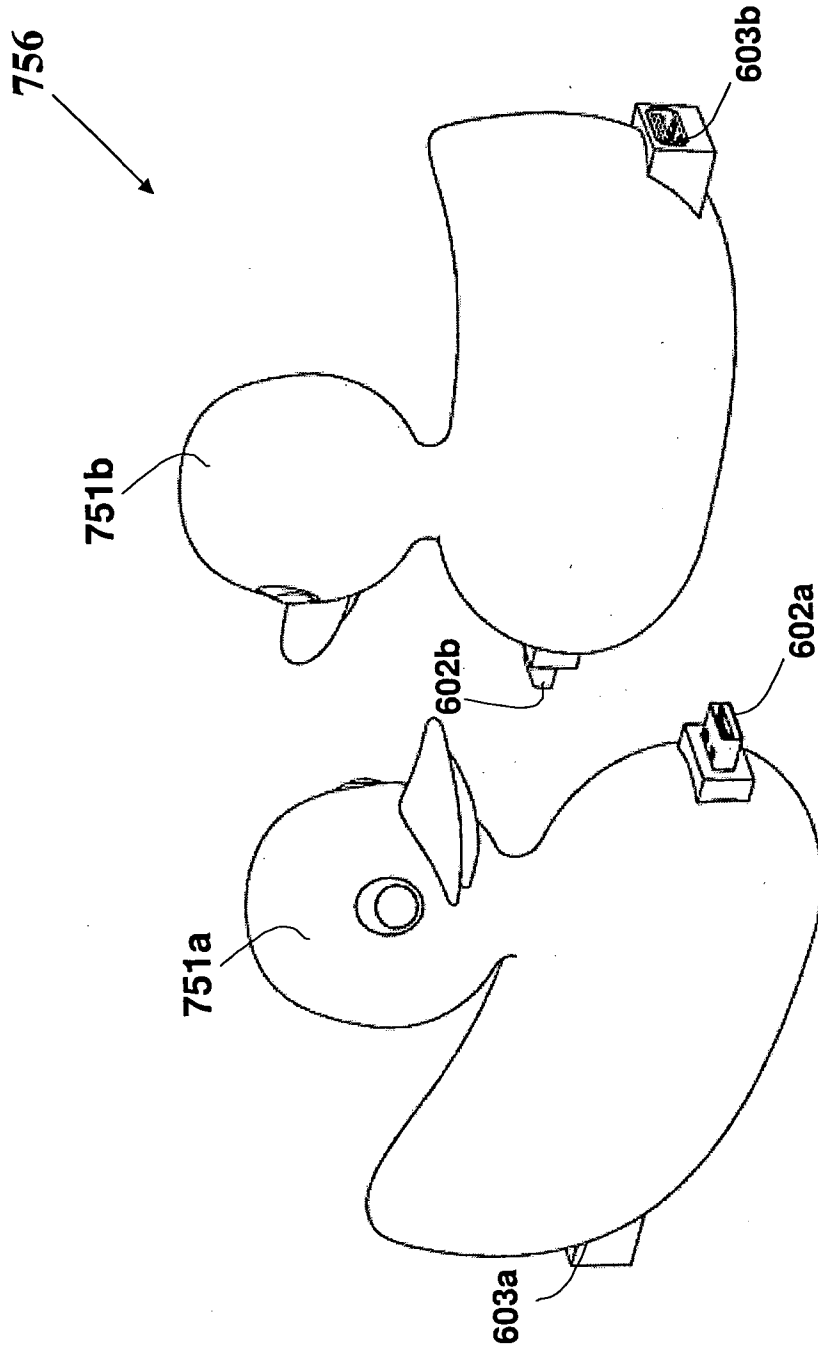


FIG. 75a

121/156

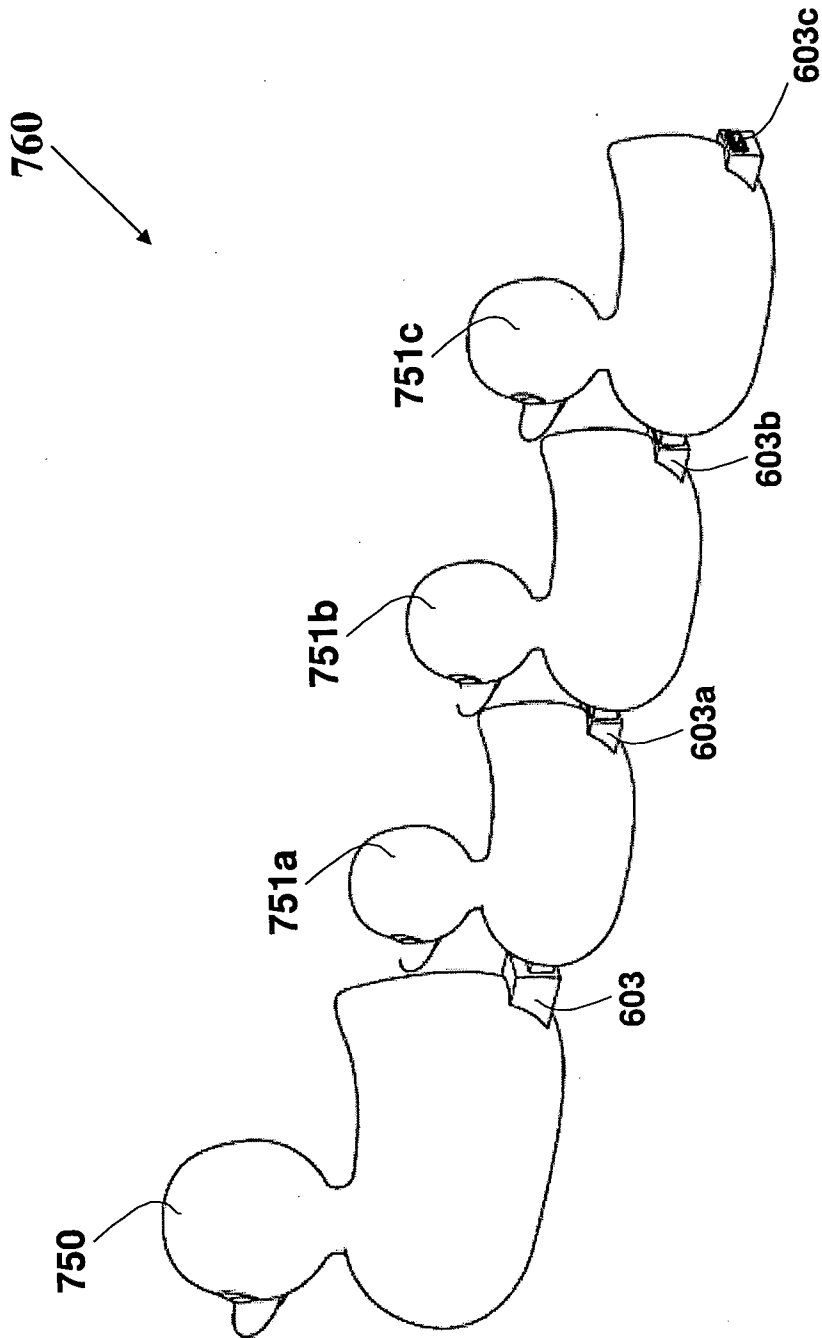


FIG. 76

122/156

775

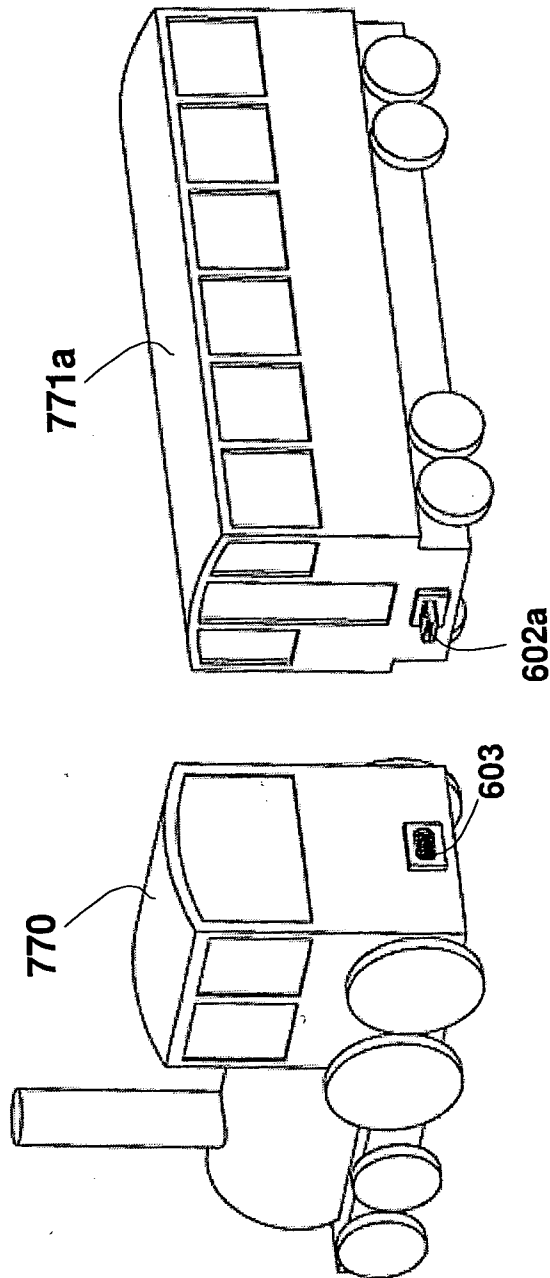


FIG. 77

123/156

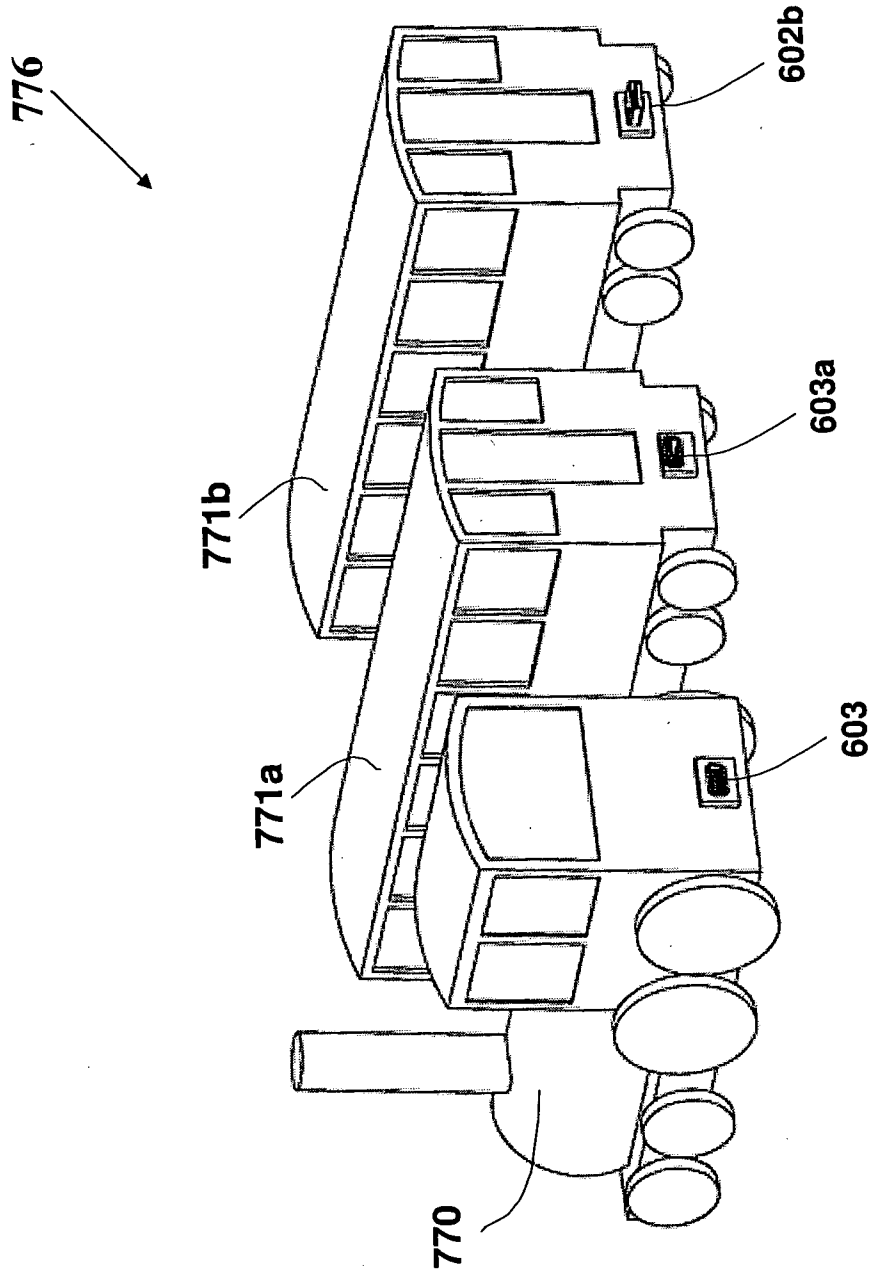


FIG. 77a

124/156

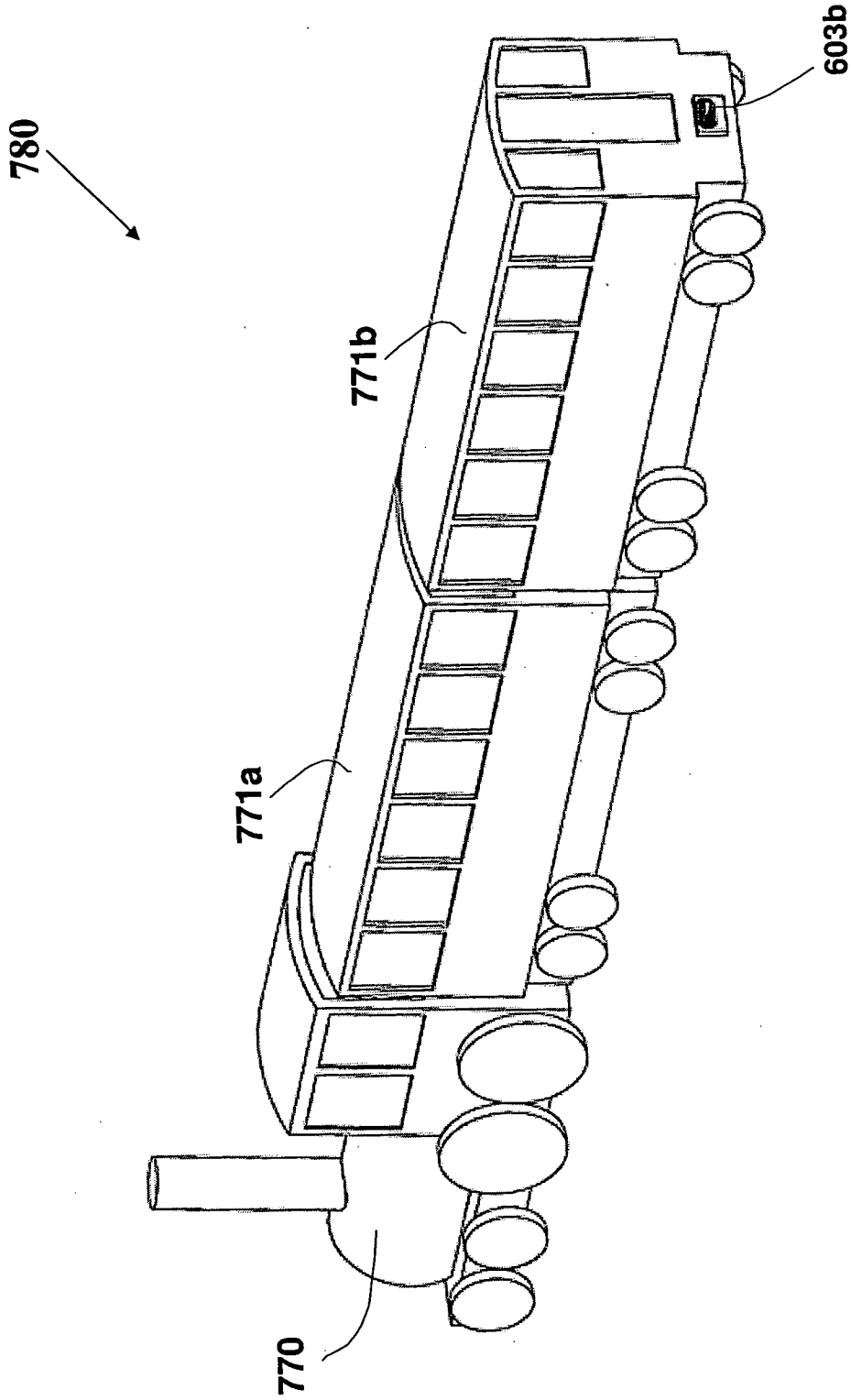


FIG. 78

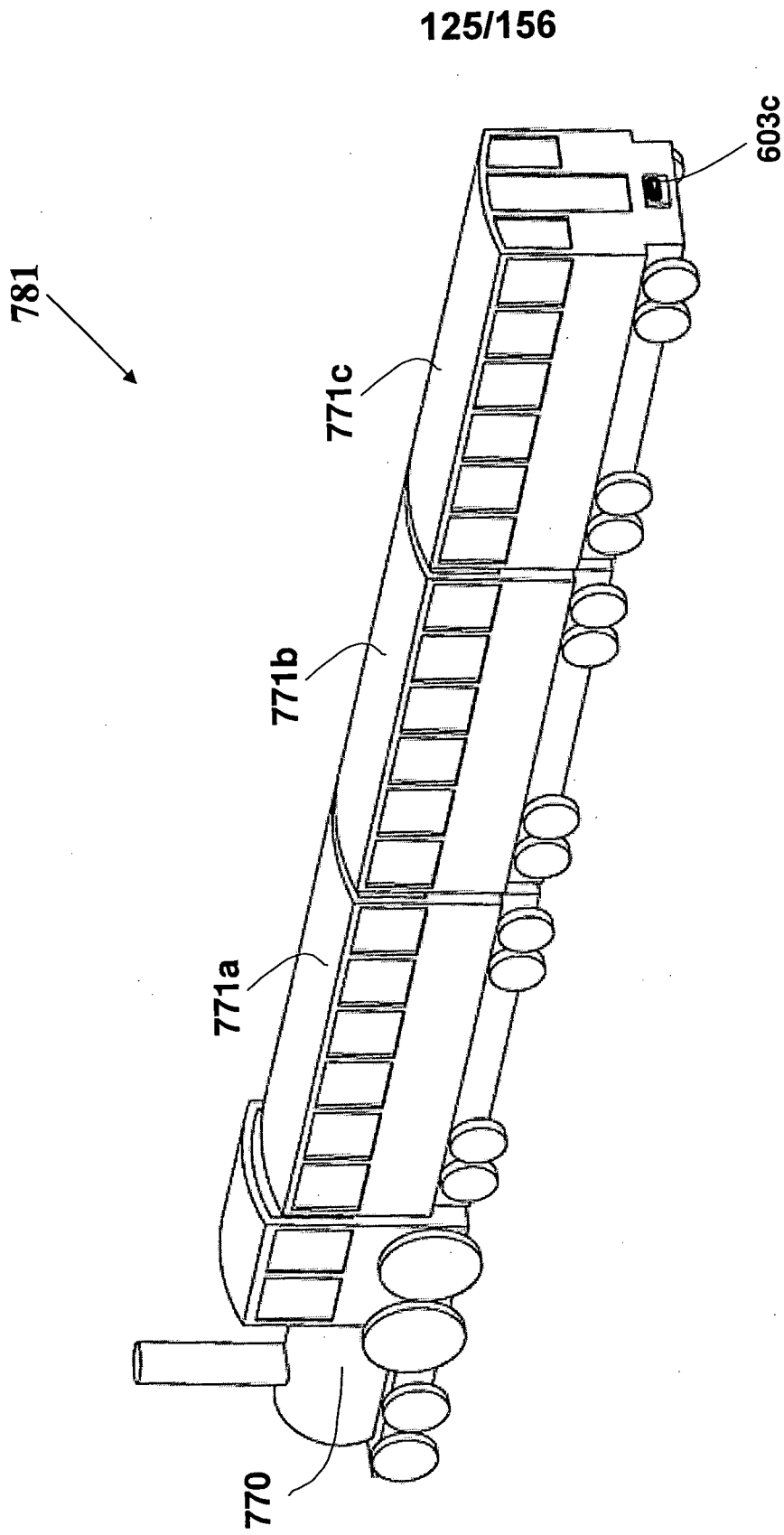


FIG. 78a

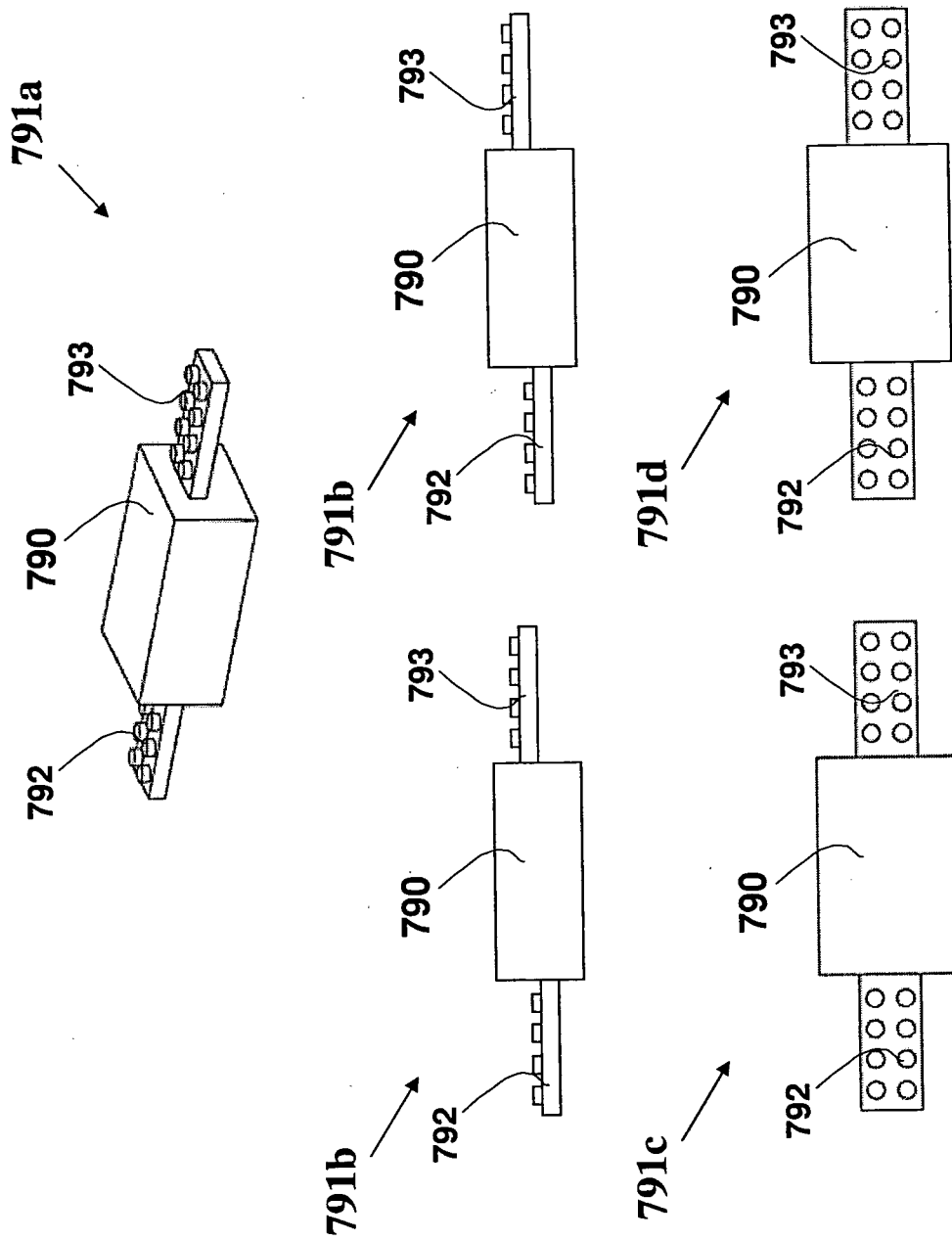


FIG. 79

127/156

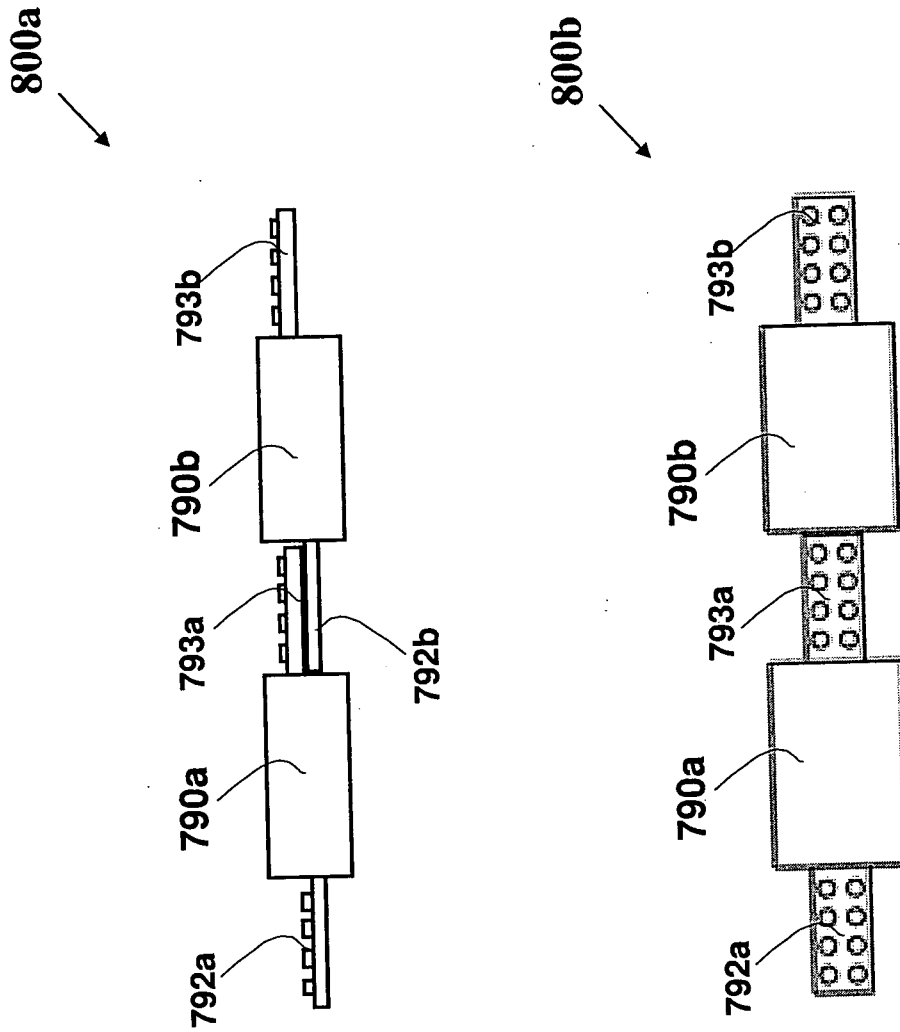


FIG. 80

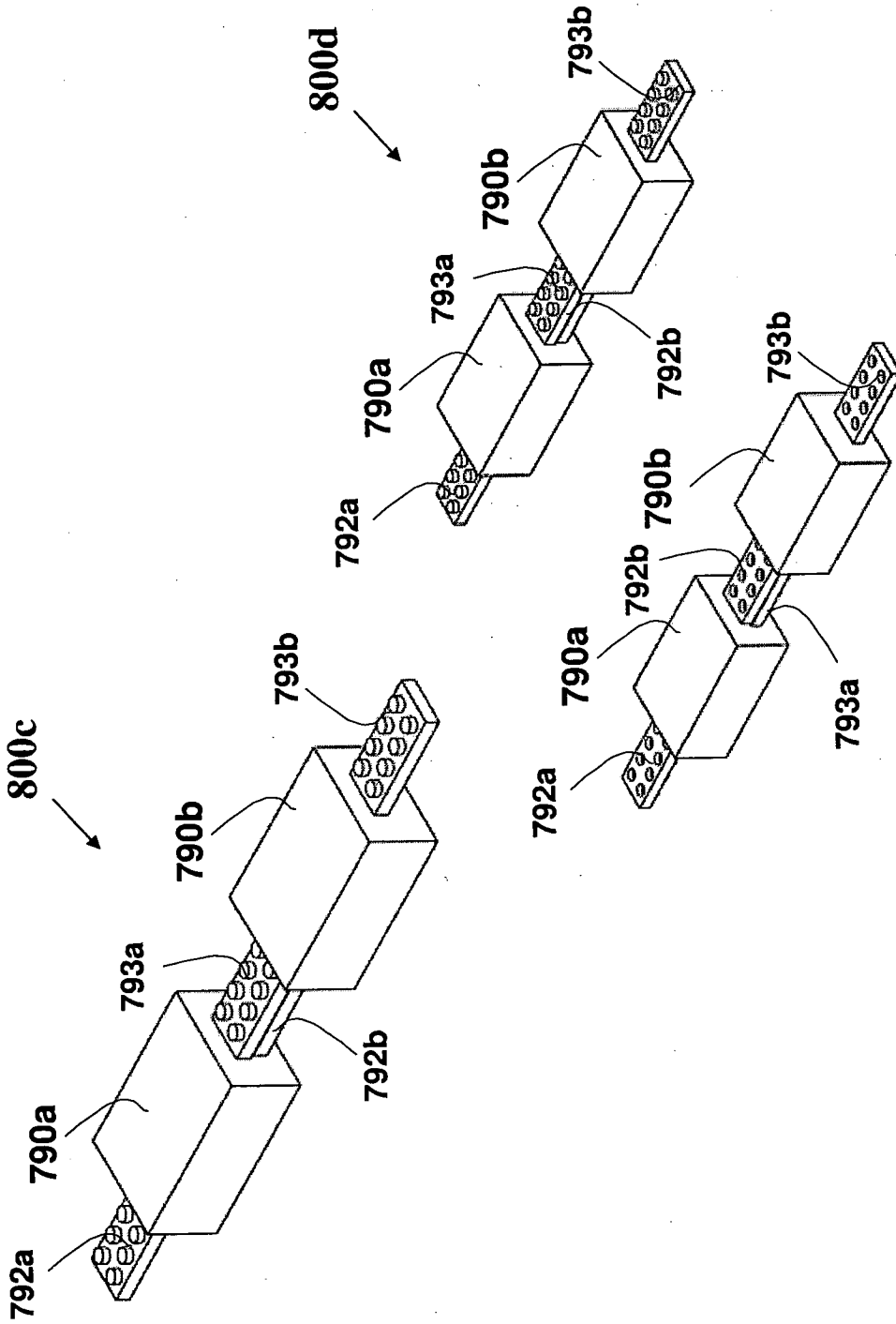


FIG. 80a

129/156

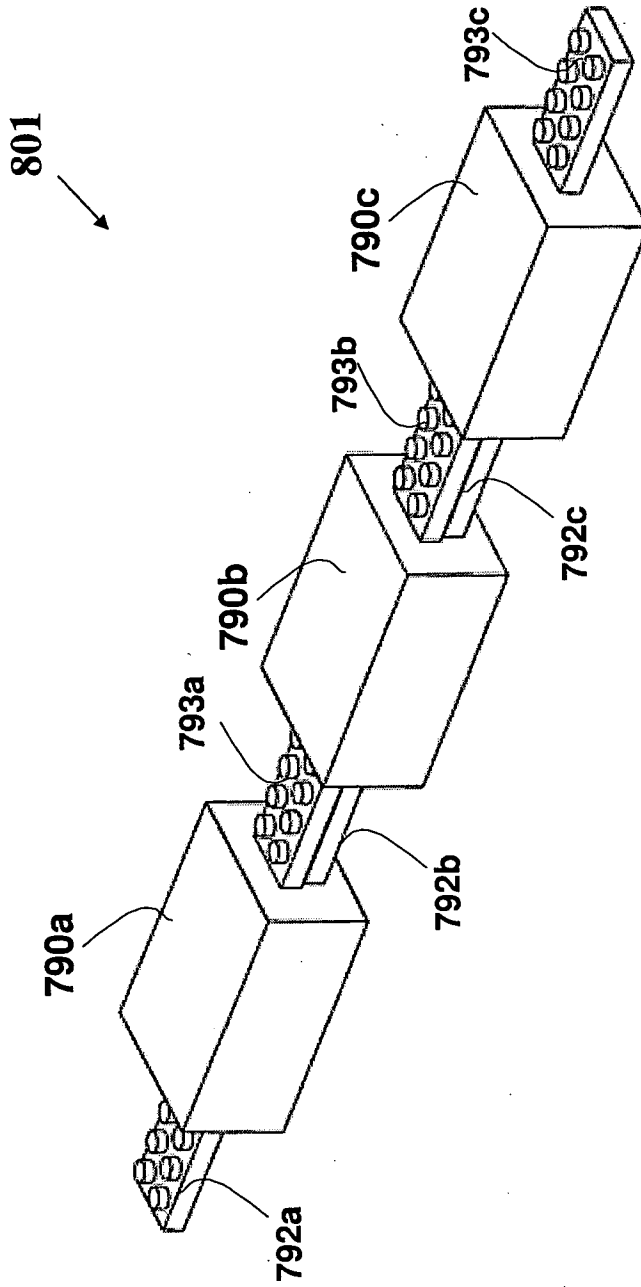


FIG. 80b

130/156

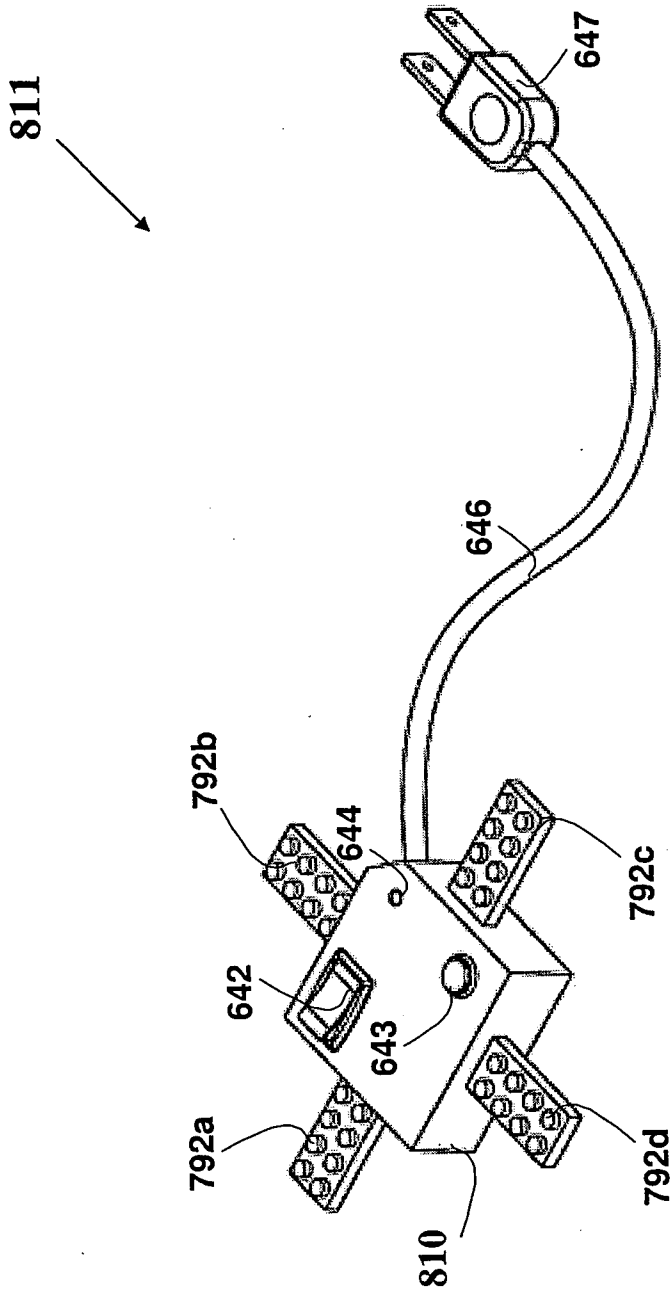


FIG. 81

131/156

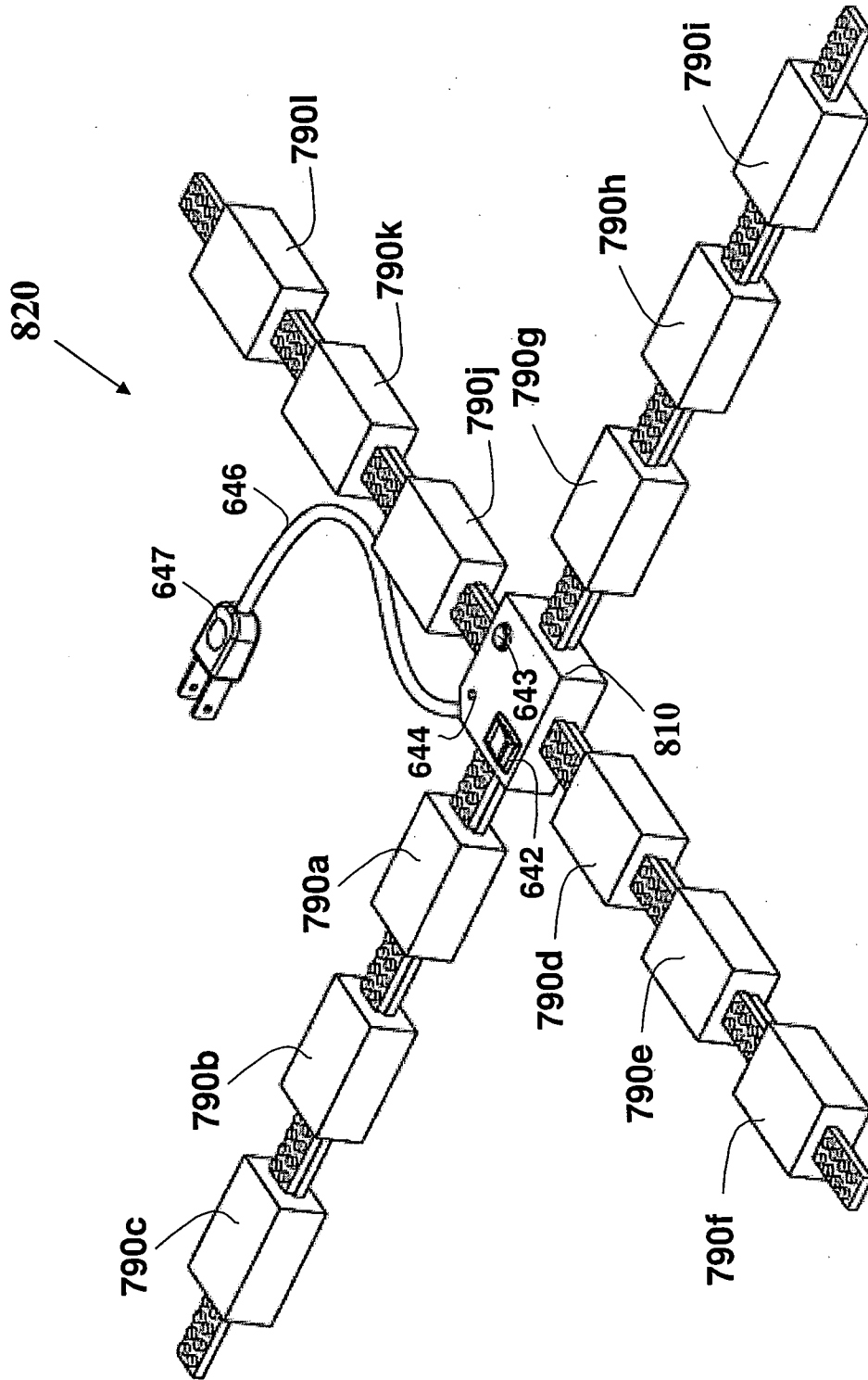


FIG. 82

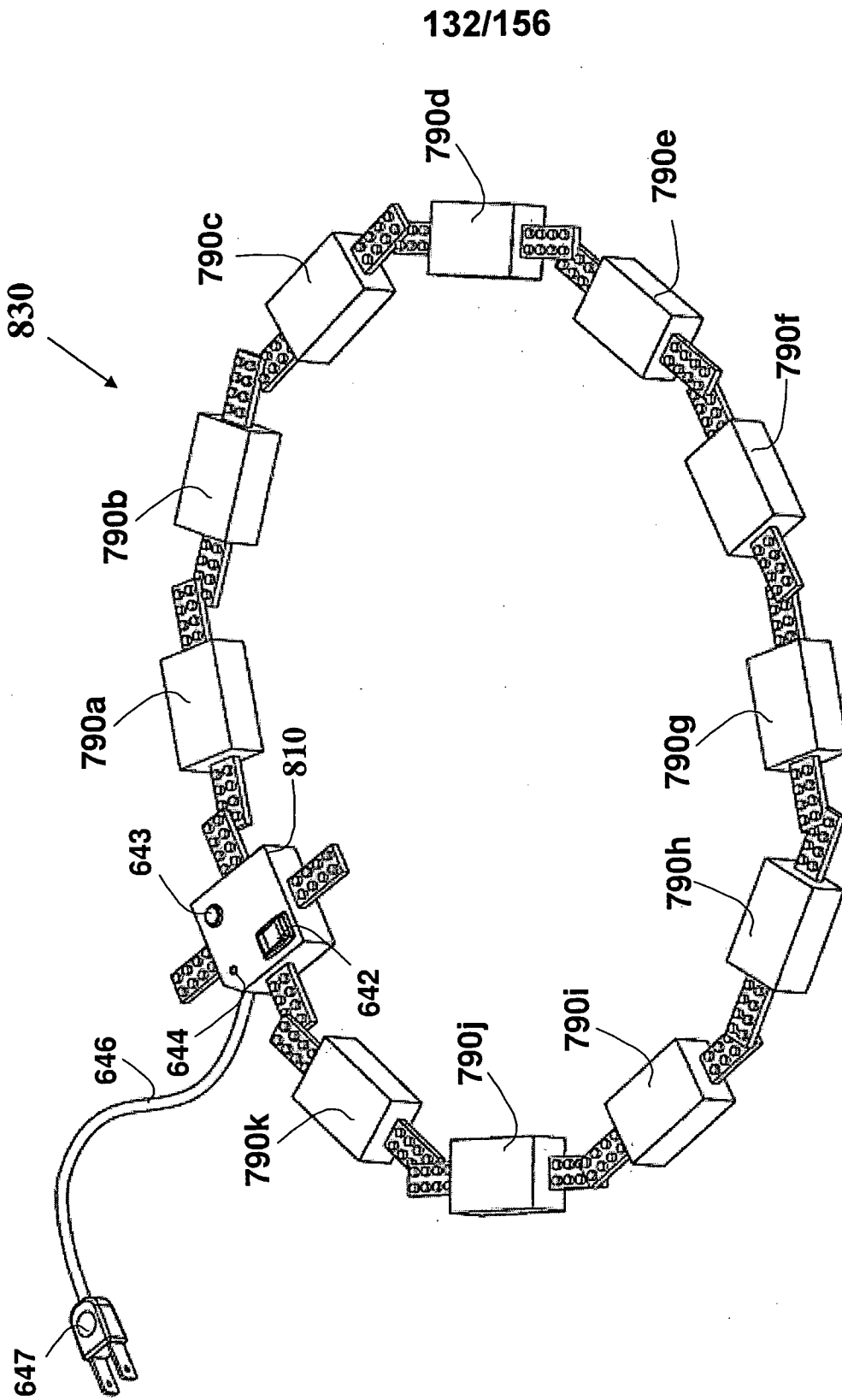


FIG. 83

133/156

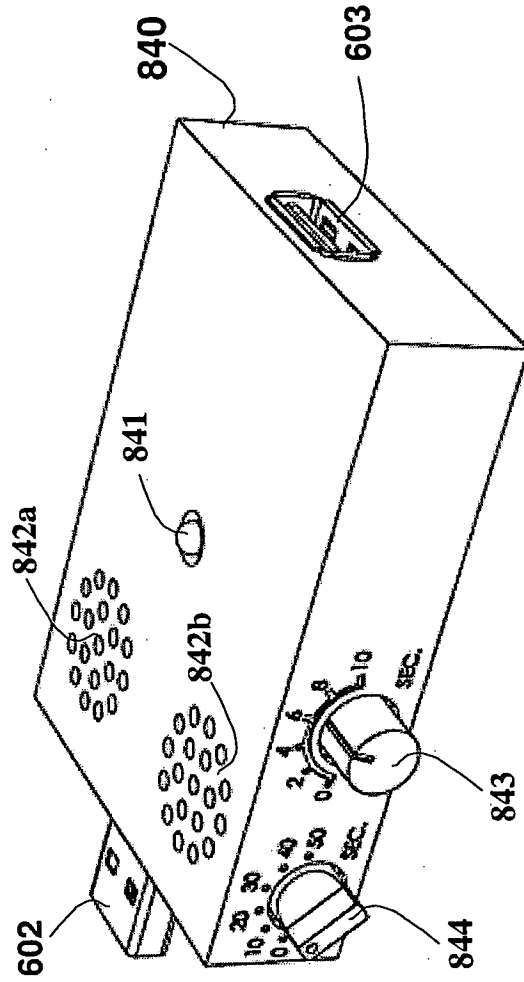


FIG. 84

134/156

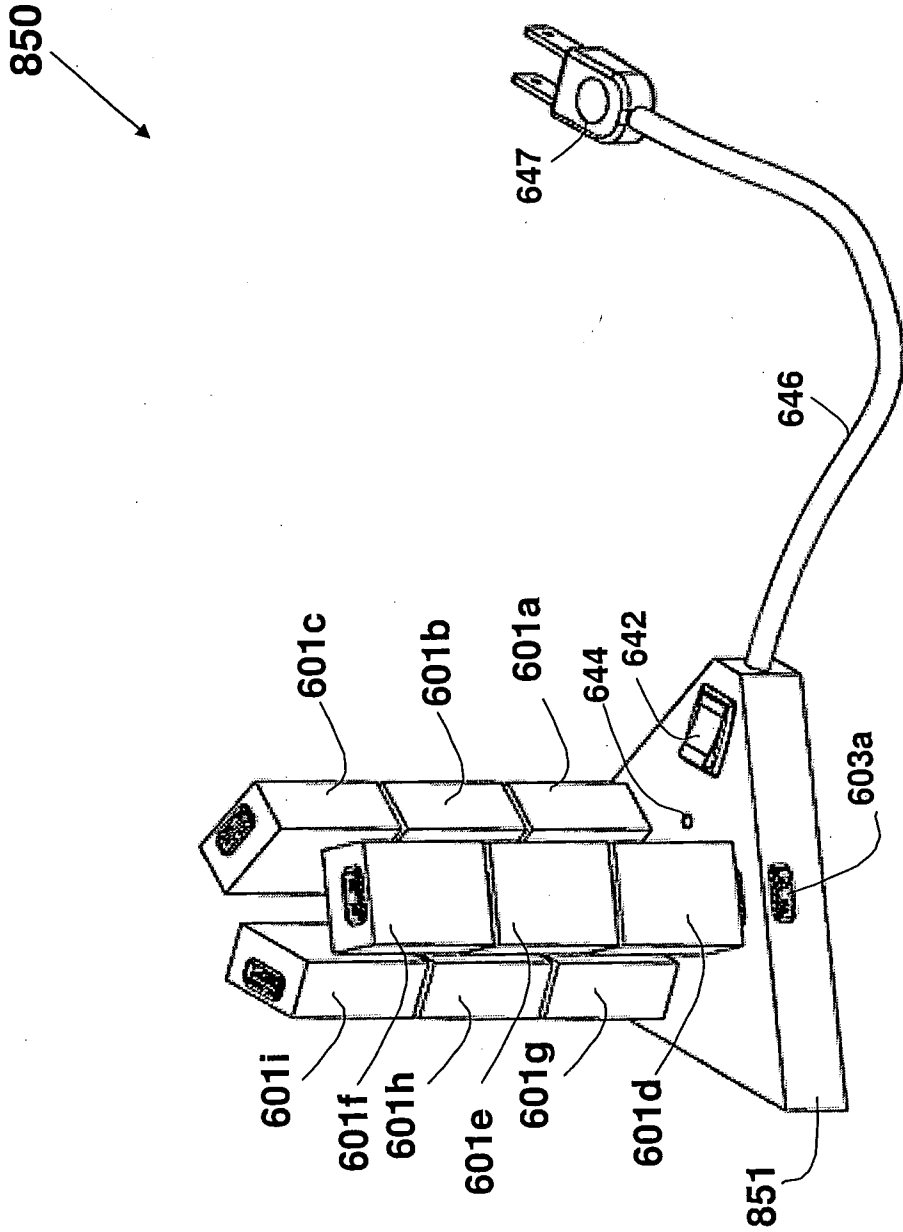


FIG. 85

860

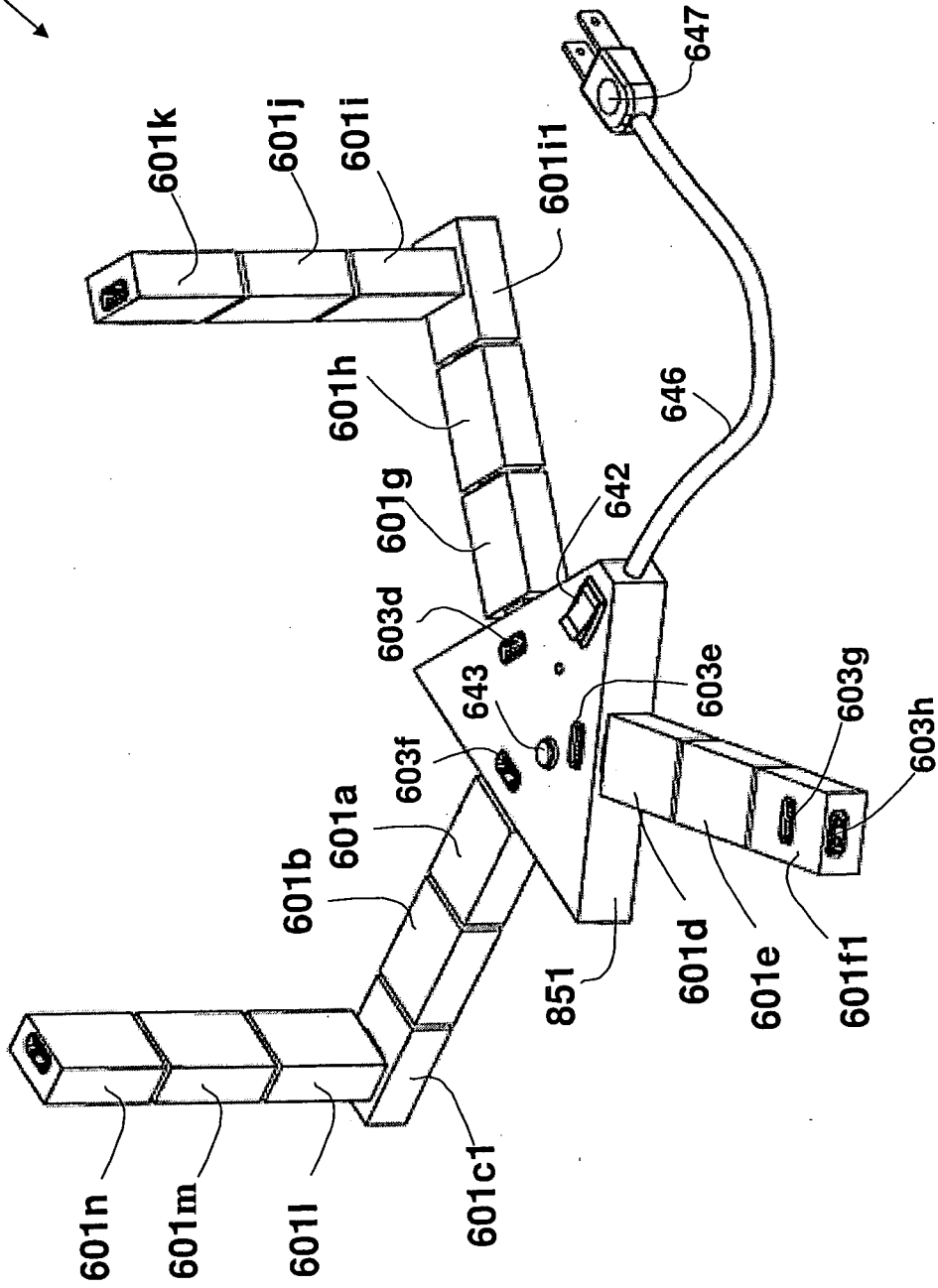


FIG. 86

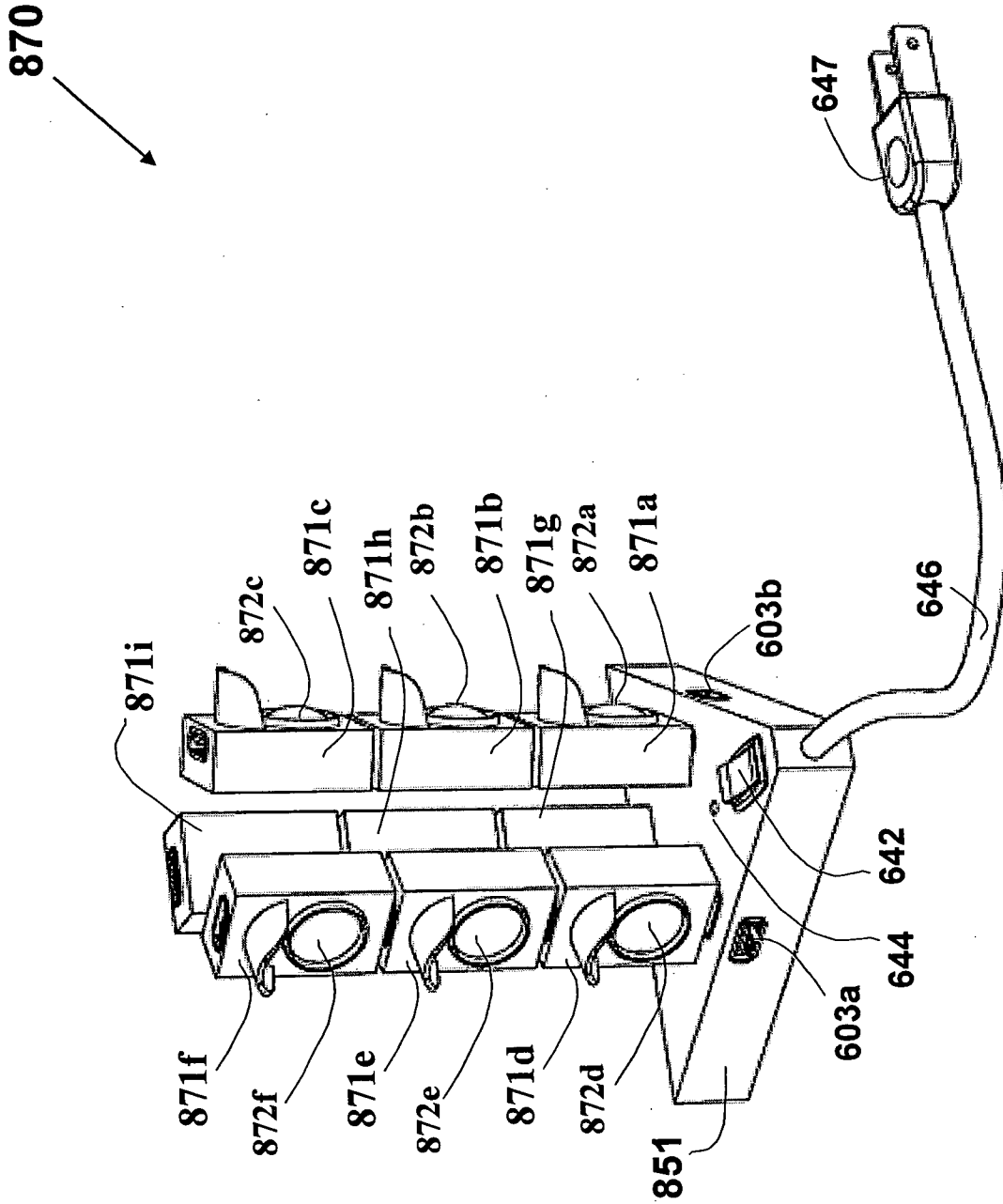


FIG. 87

137/156

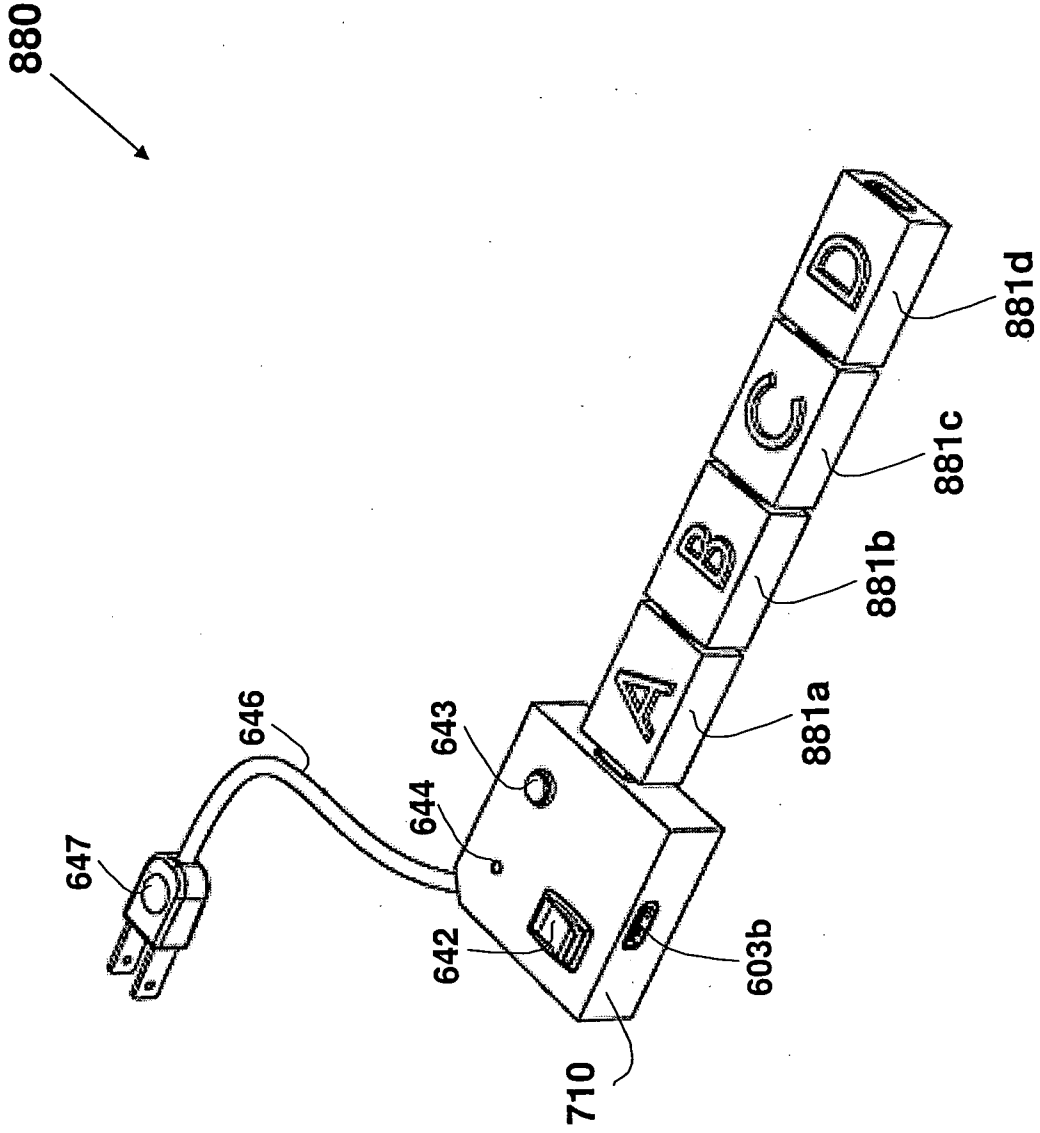


FIG. 88

138/156

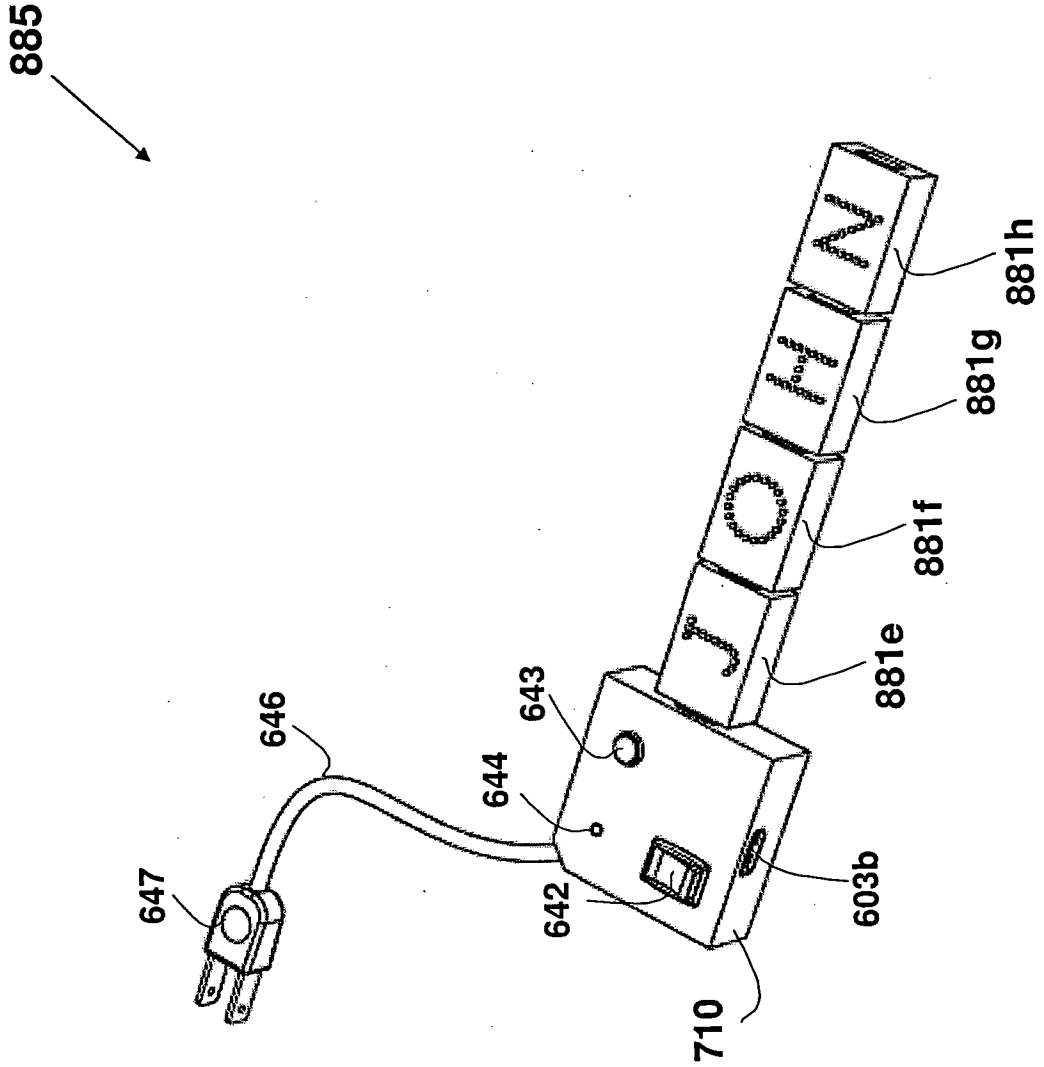


FIG. 89

139/156

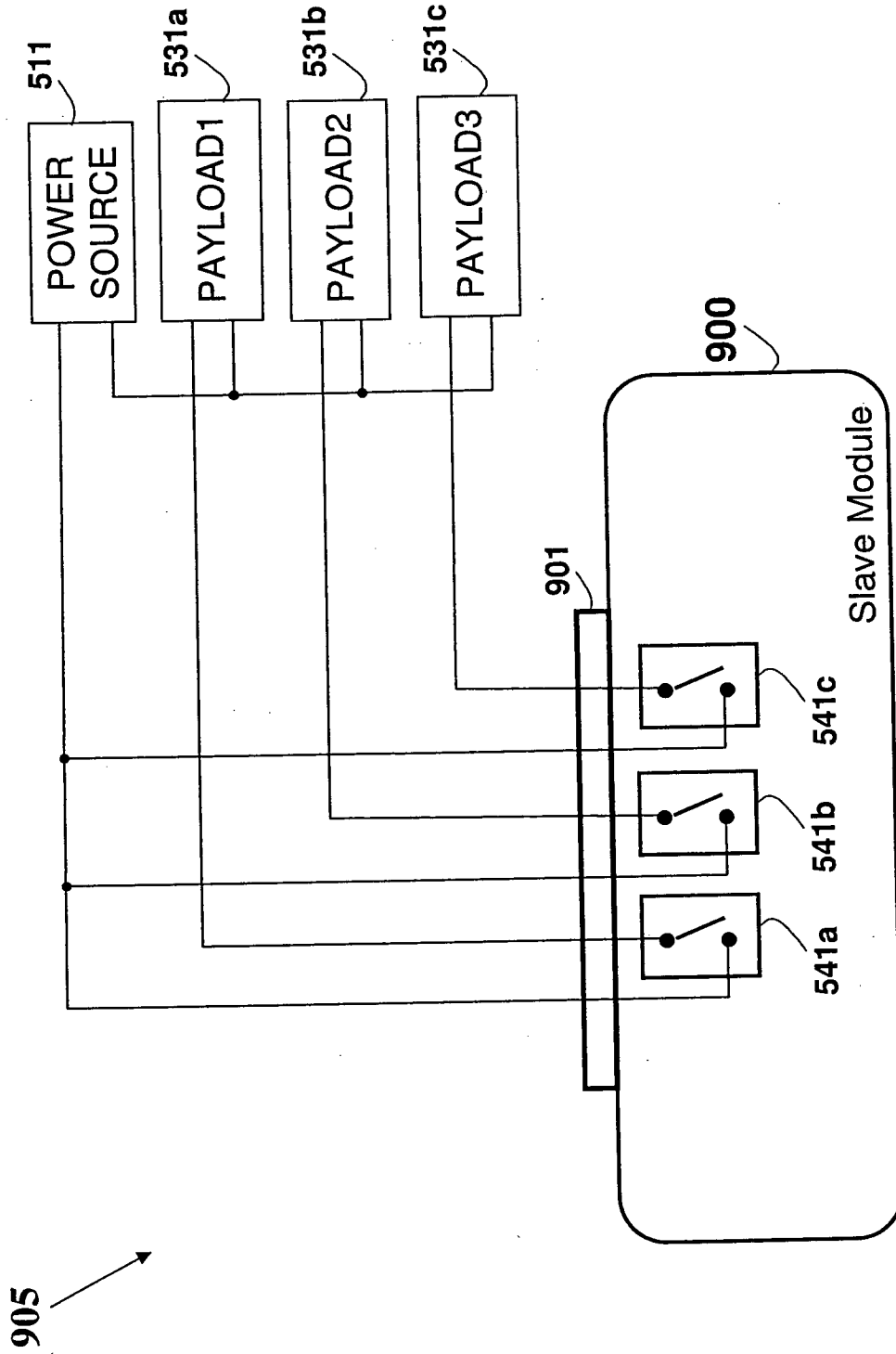


FIG. 90

140/156

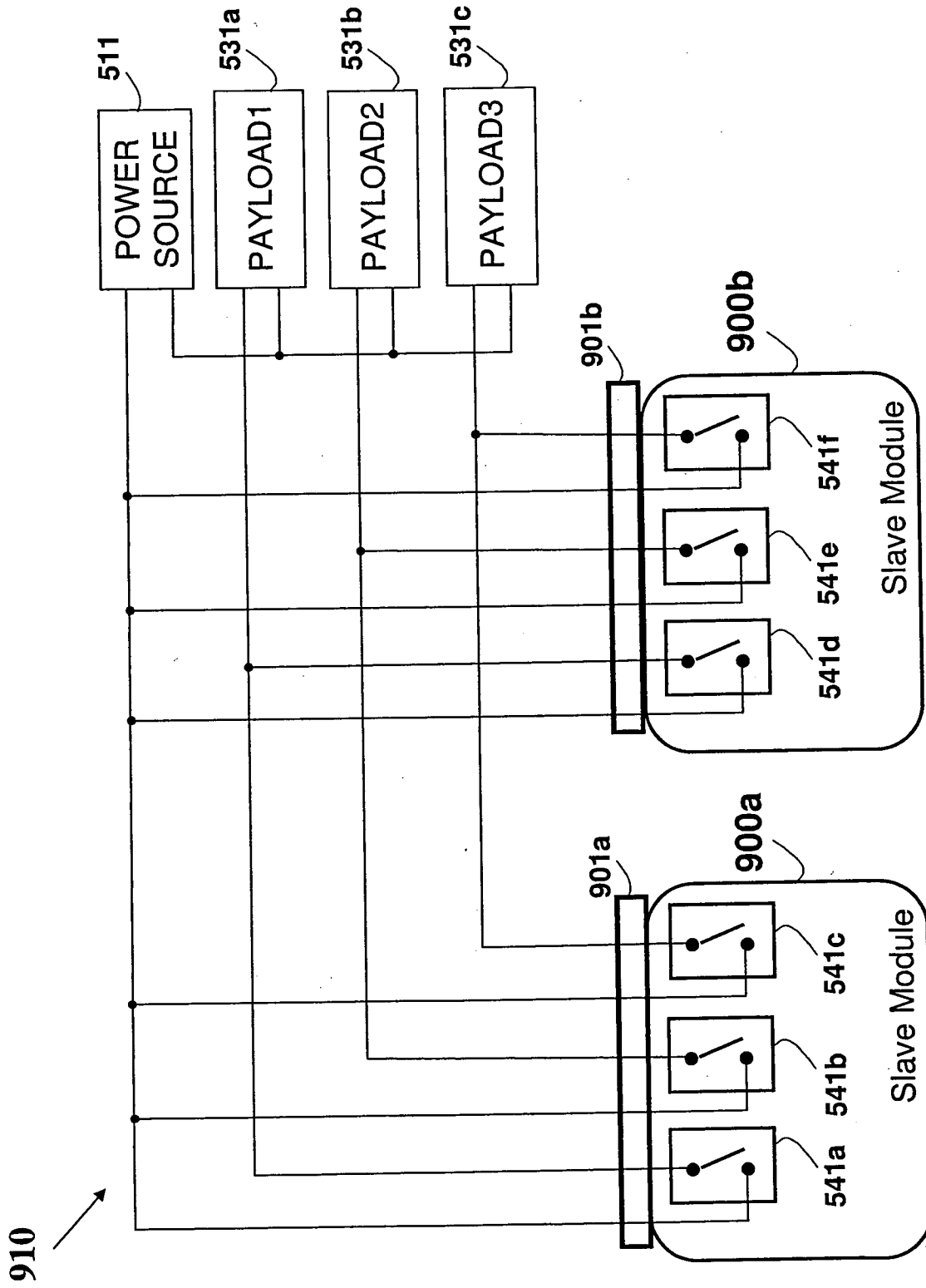


FIG. 91

141/156

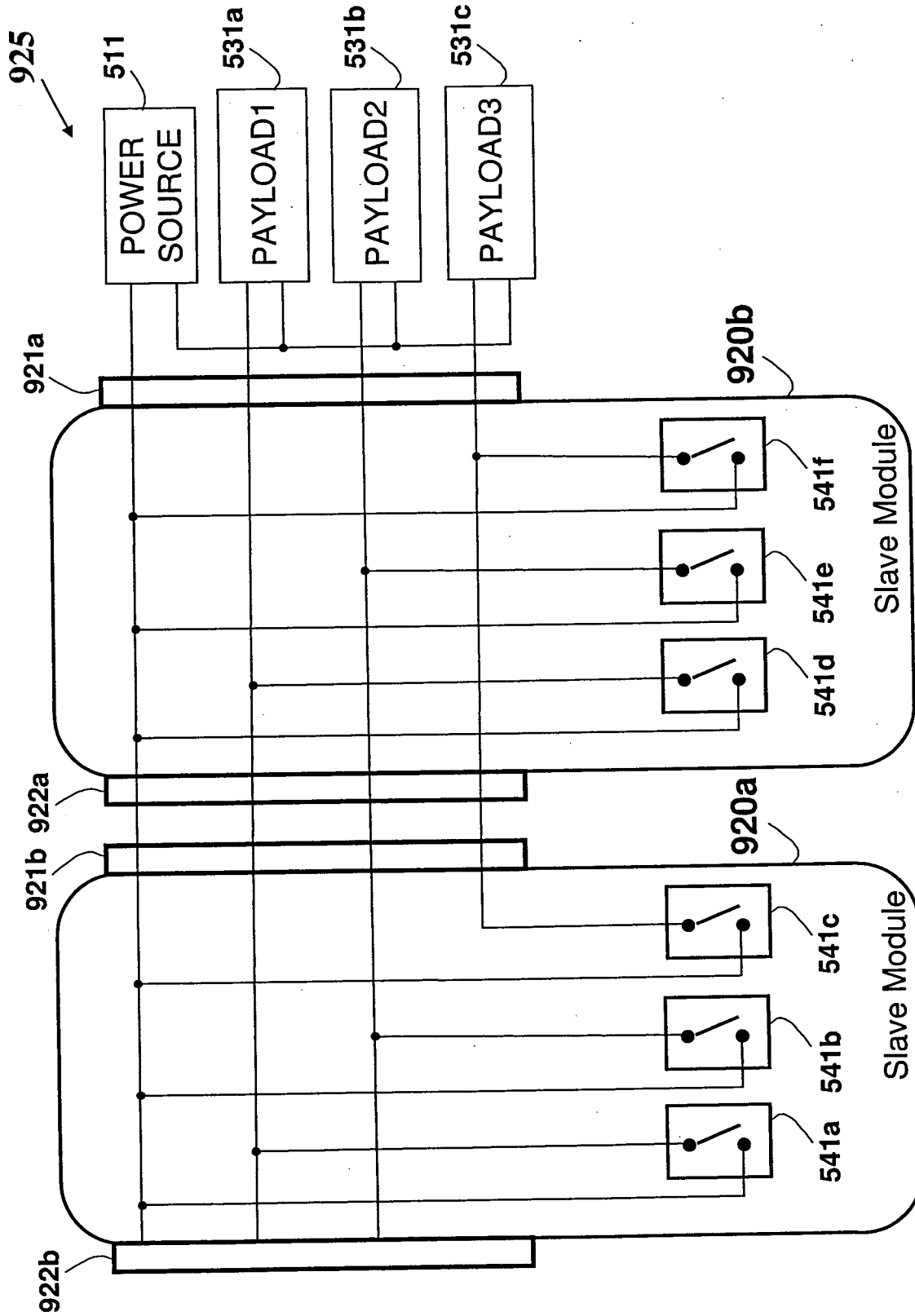


FIG. 92

142/156

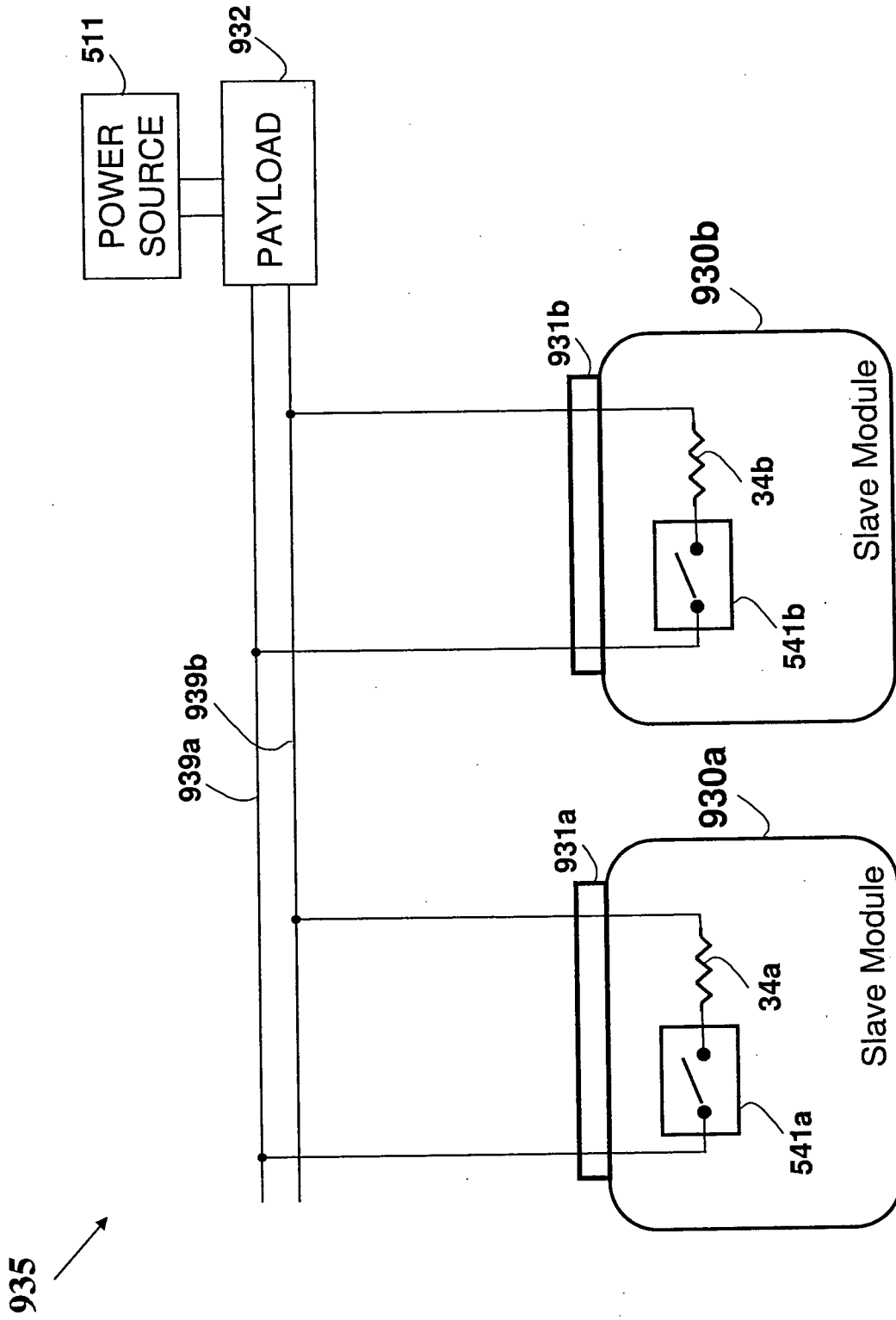


FIG. 93

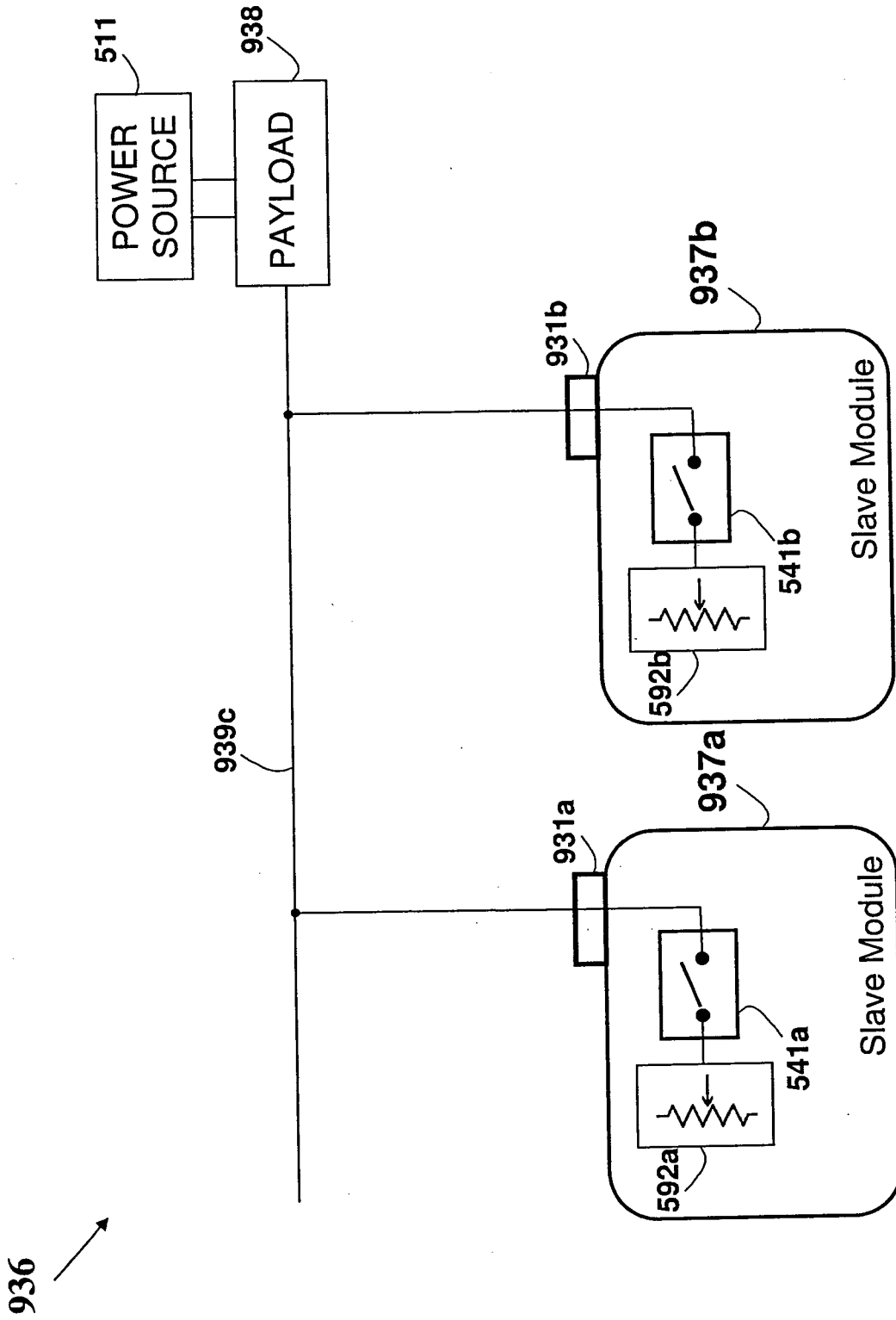


FIG. 93a

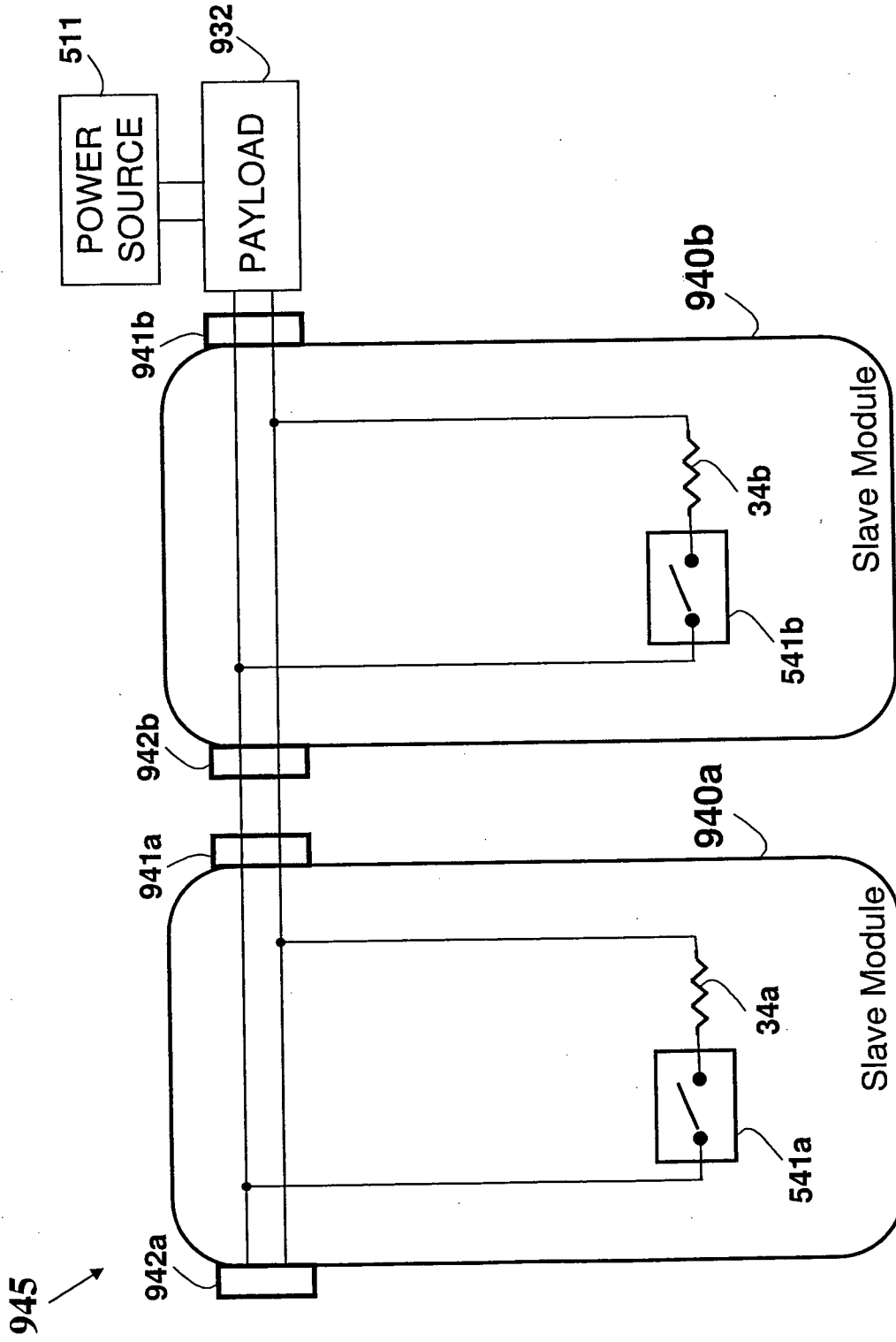


FIG. 94

145/156

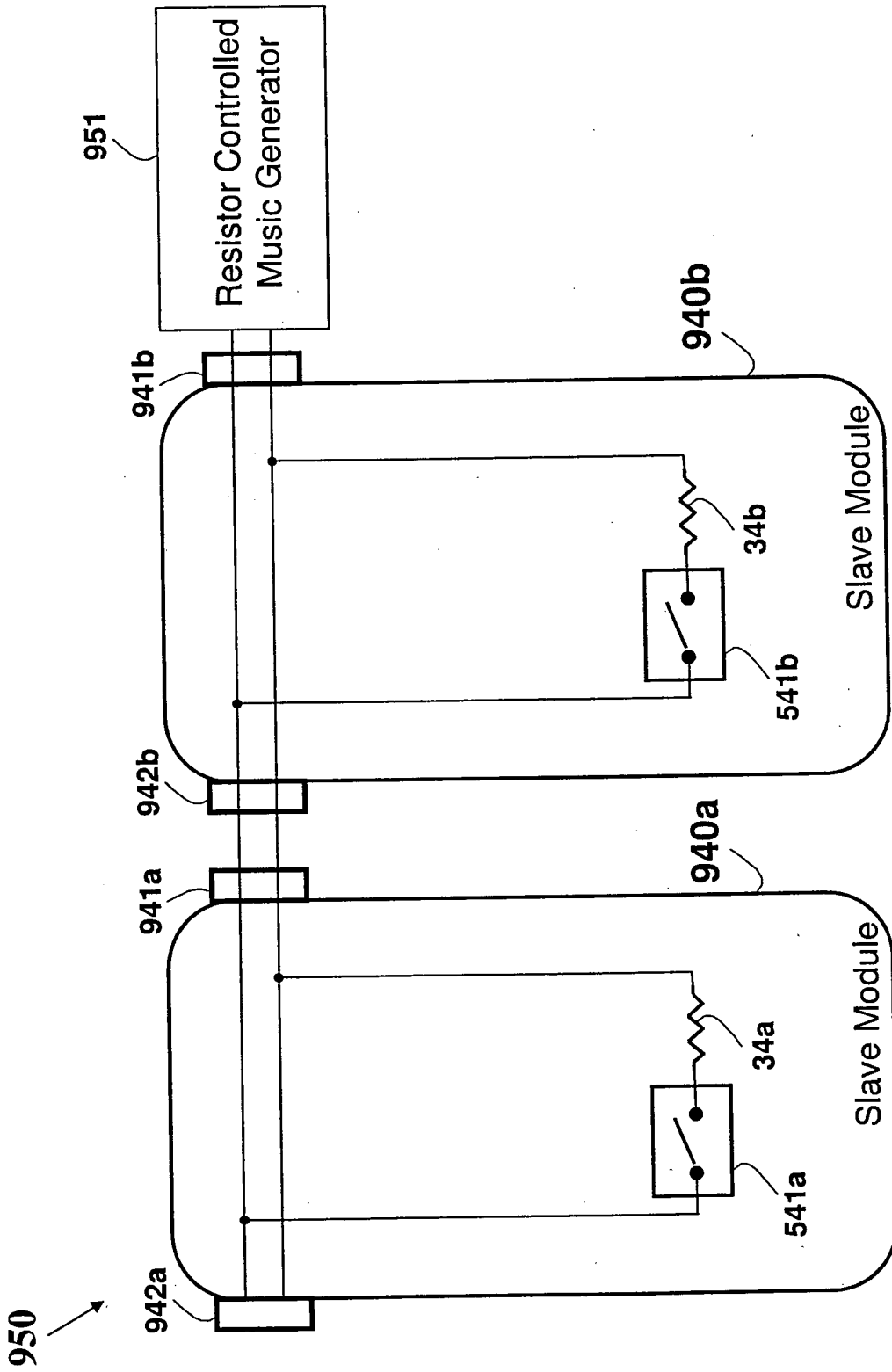


FIG. 95

146/156

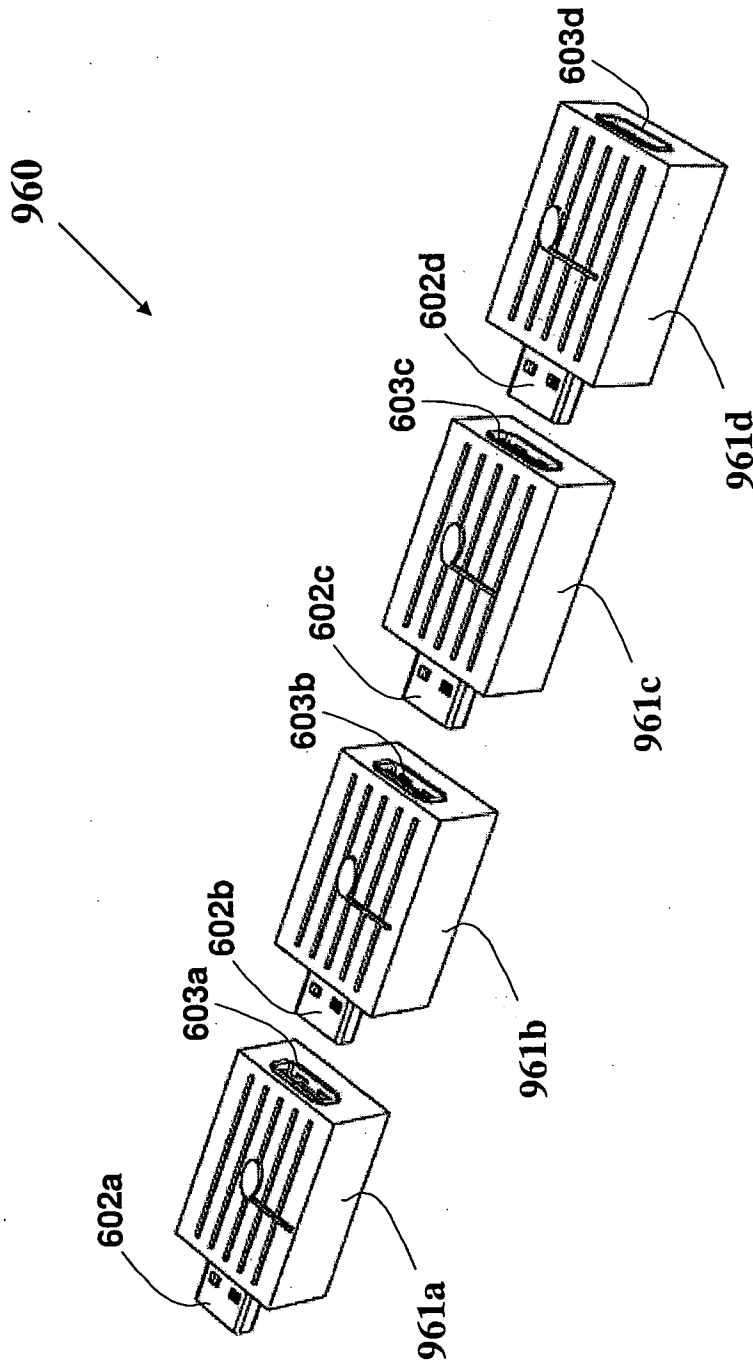


FIG. 96

147/156

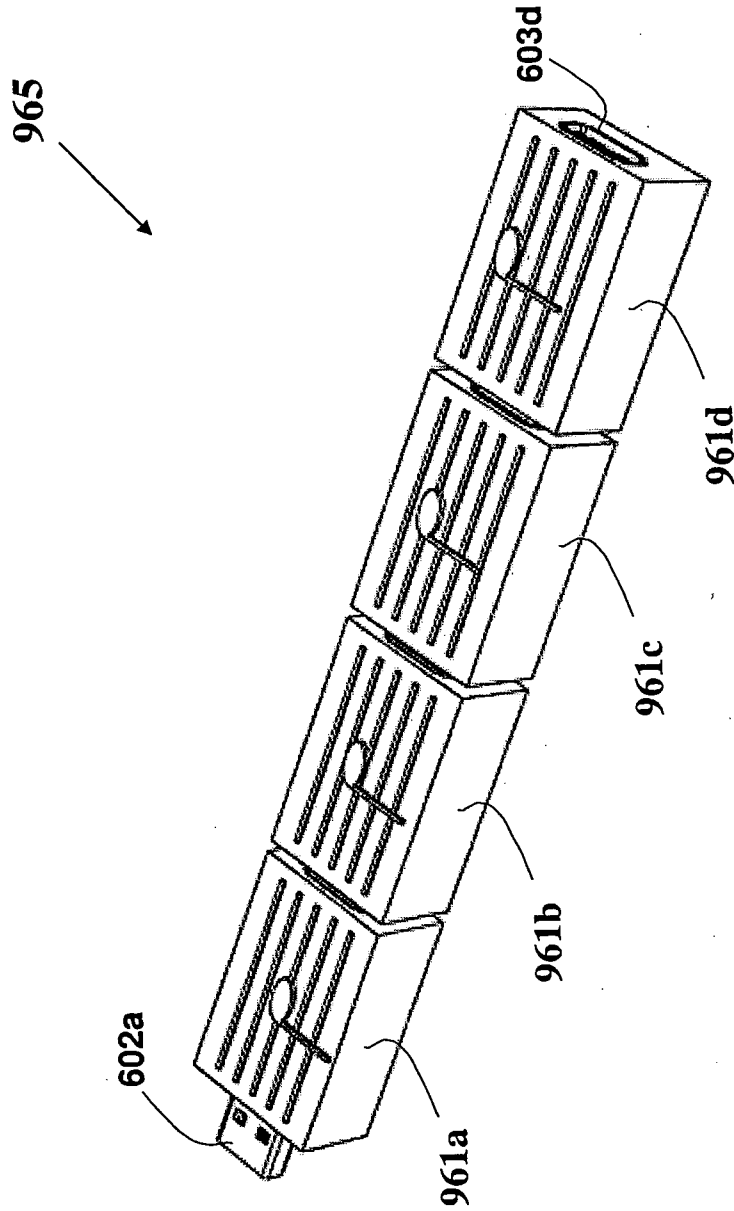


FIG. 96a

148/156

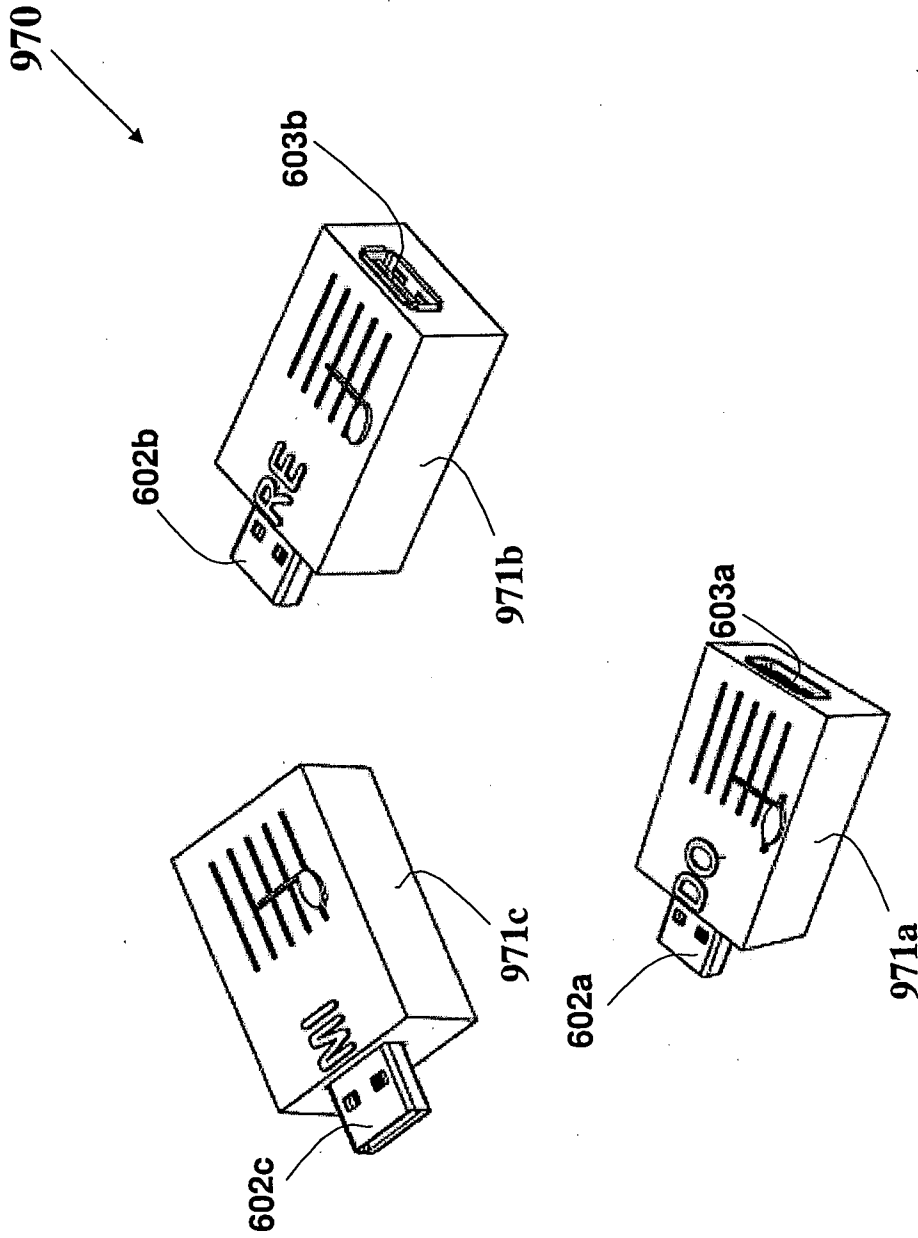


FIG. 97

149/156

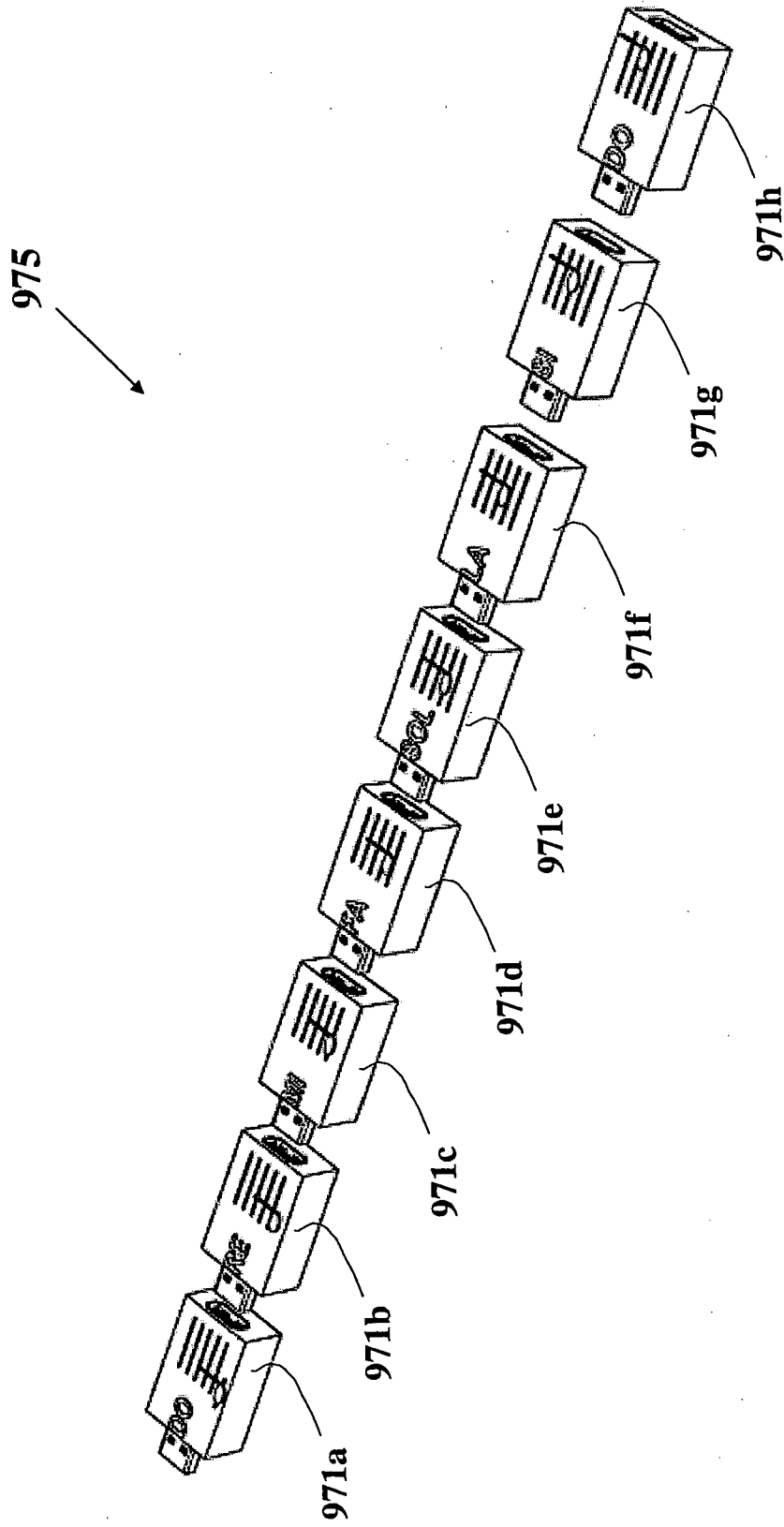


FIG. 97a

150/156

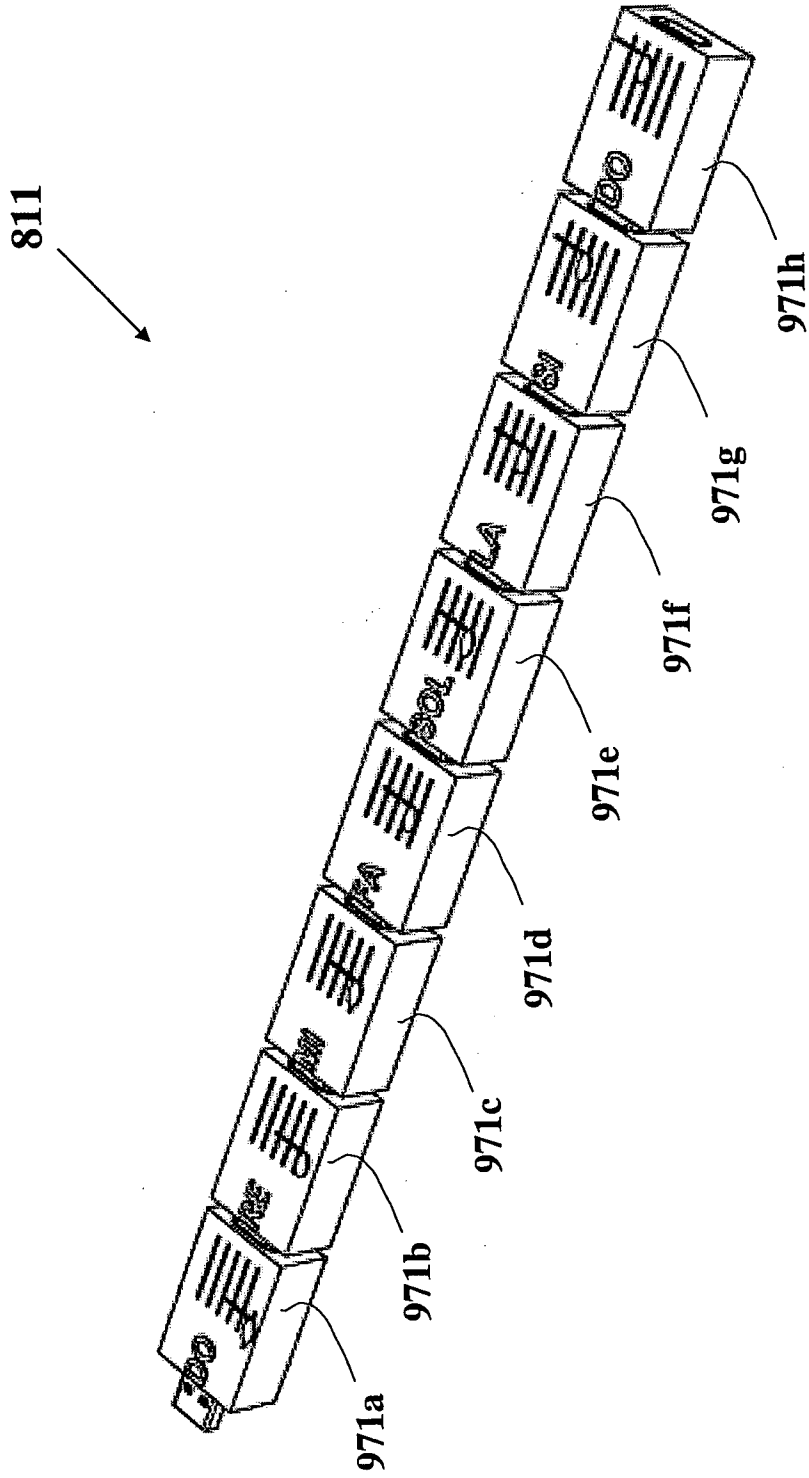


FIG. 97b

151/156

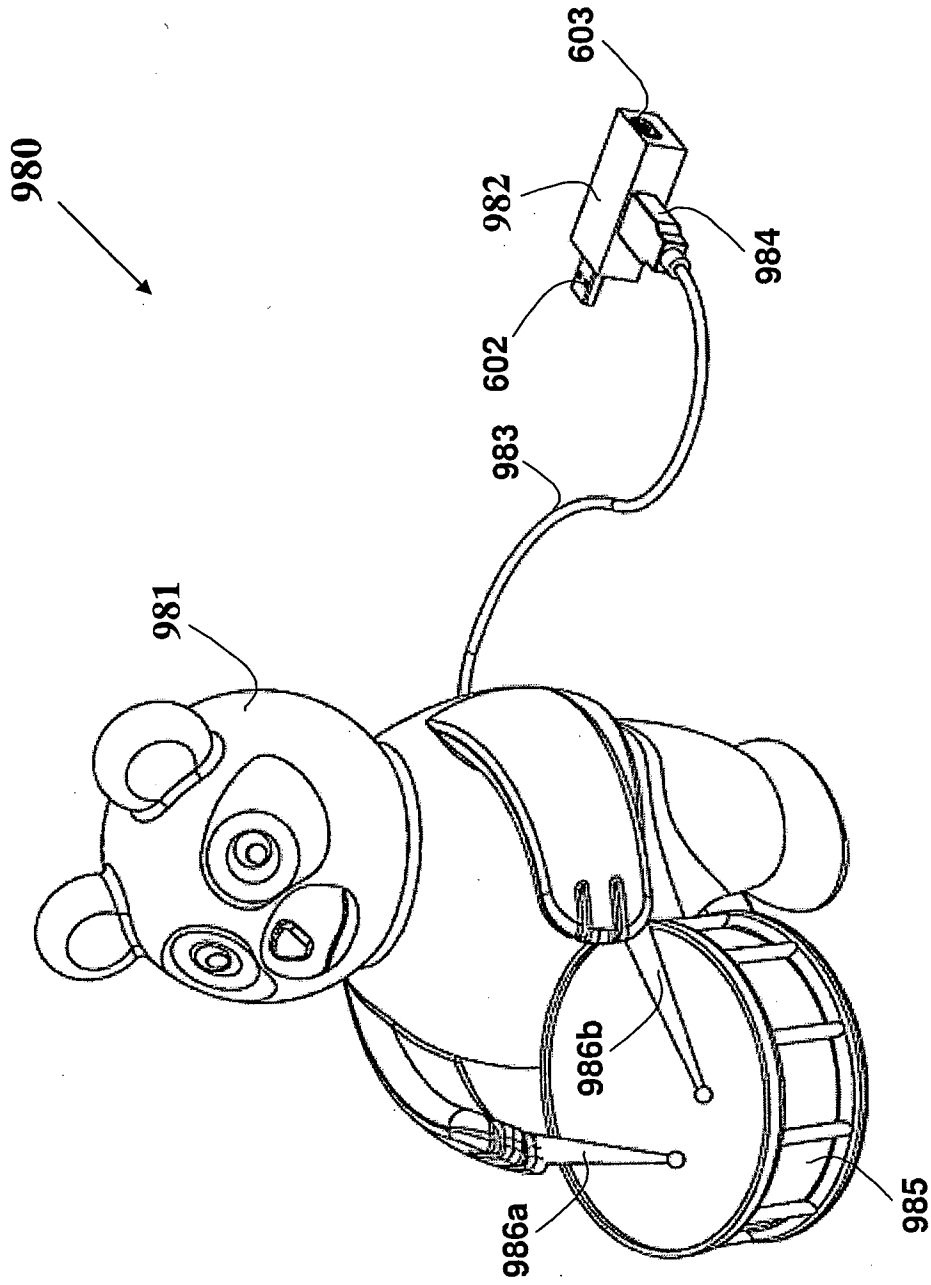


FIG. 98

152/156

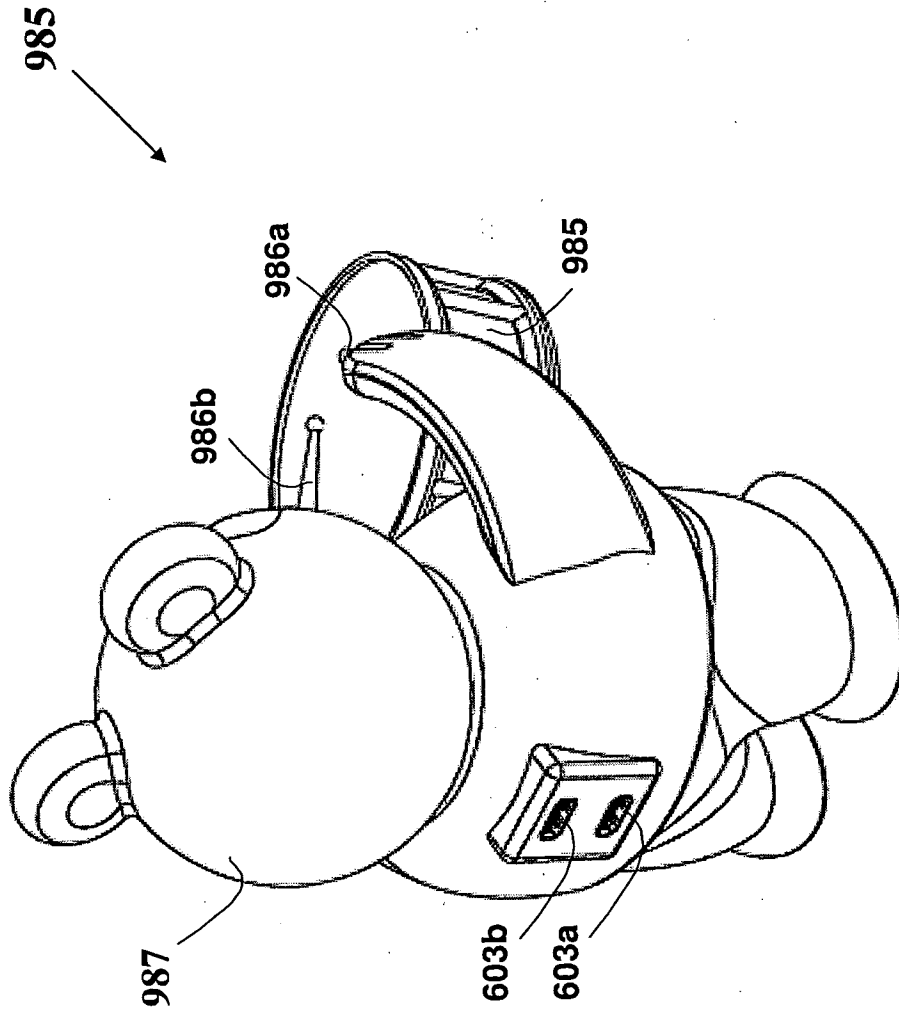


FIG. 98a

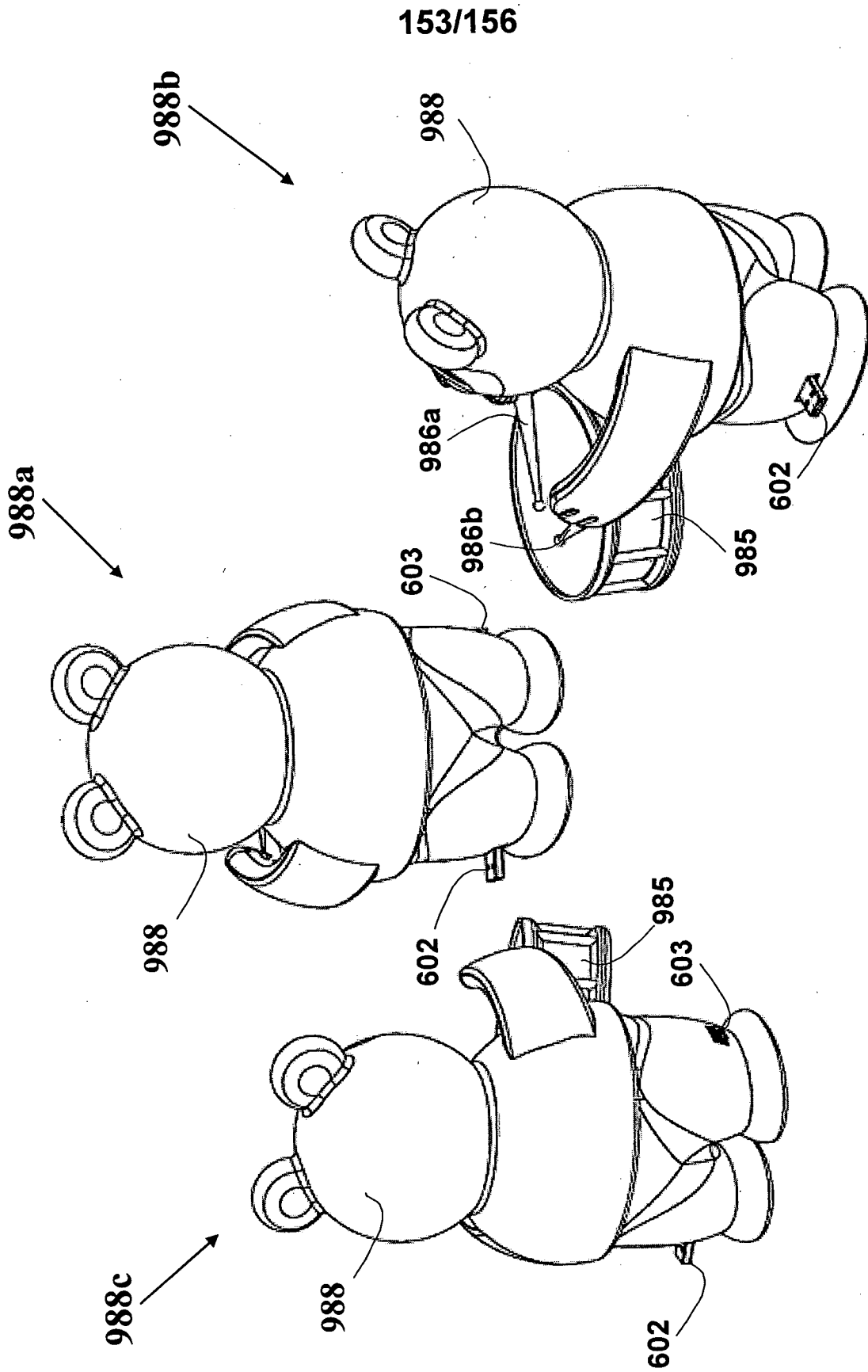


FIG. 98b

154/156

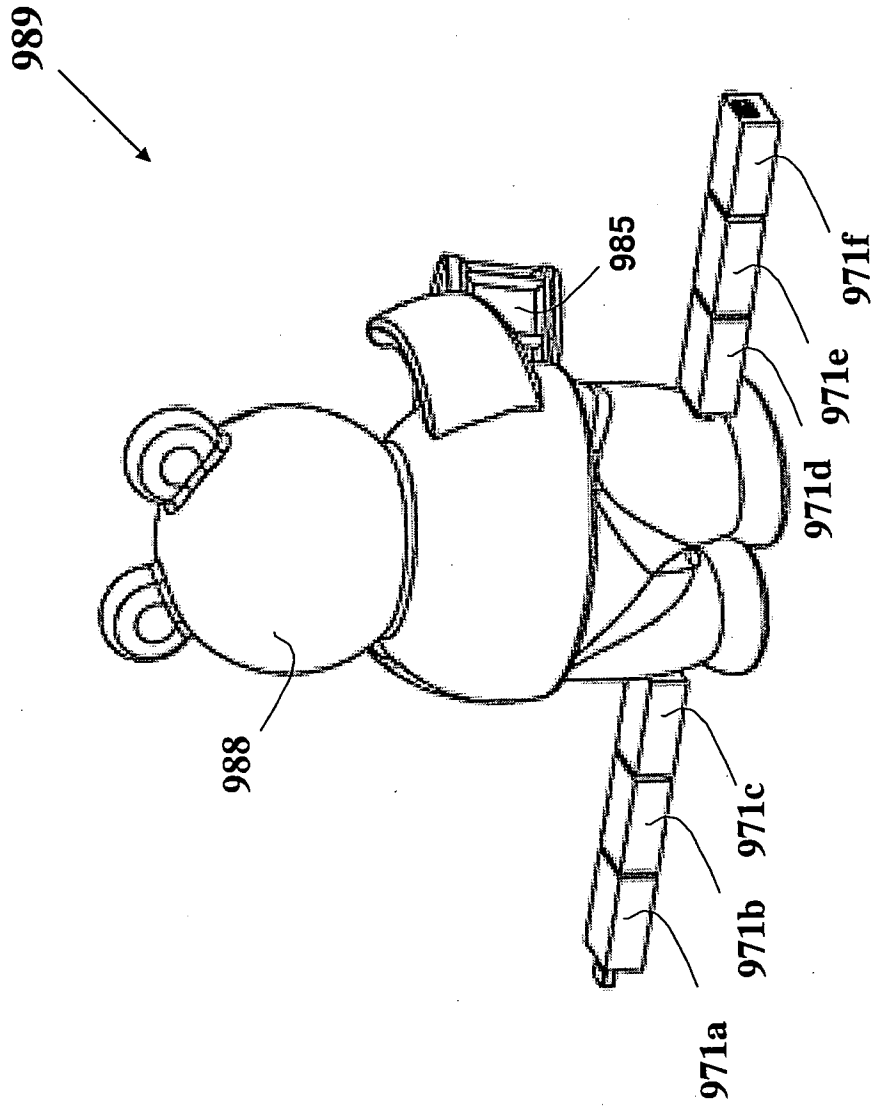


FIG. 98C

155/156

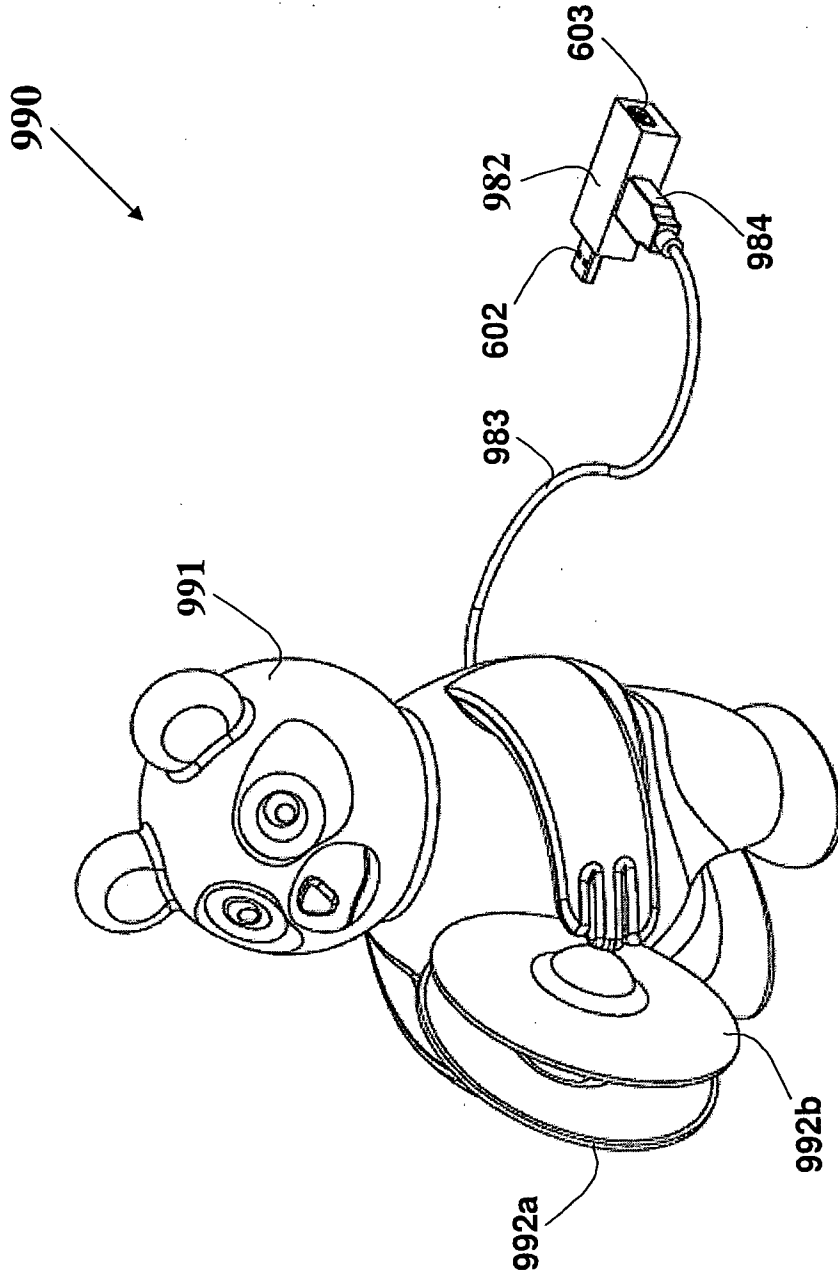


FIG. 99

156/156

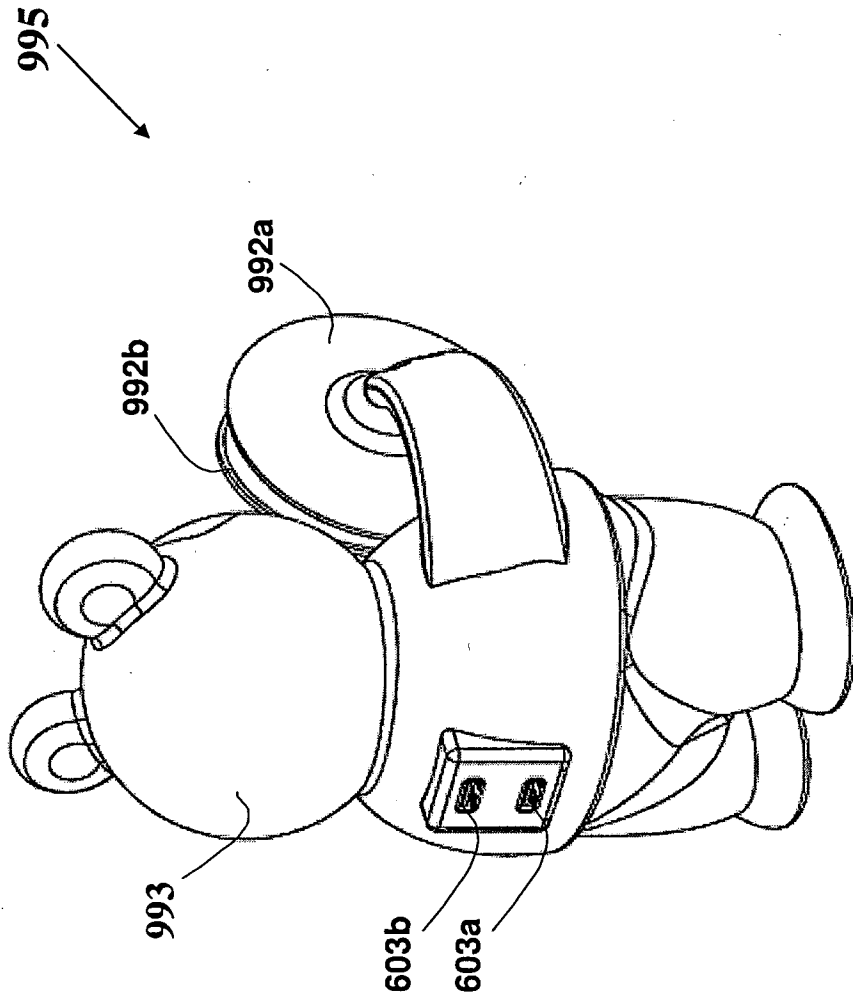


FIG. 99a

INTERNATIONAL SEARCH REPORT

International application No
PCT/IL2010/000559

A. CLASSIFICATION OF SUBJECT MATTER
 INV. H04L12/28 A63F9/24 G06F19/00
 ADD.
 According to International Patent Classification (IPC) or to both national classification and IPC

B. FIELDS SEARCHED
 Minimum documentation searched (classification system followed by classification symbols)
 H04L A63F G06F
 Documentation searched other than minimum documentation to the extent that such documents are included in the fields searched

Electronic data base consulted during the international search (name of data base and, where practical, search terms used)
 EPO-Internal, WPI Data

C. DOCUMENTS CONSIDERED TO BE RELEVANT		
Category*	Citation of document, with indication, where appropriate, of the relevant passages	Relevant to claim No.
X	US 5 385 344 A (MILLER KENNETH C [US] ET AL) 31 January 1995 (1995-01-31)	1-12, 20-63, 65-100, 102-124, 129-132
Y	column 1, line 22 - column 2, line 19 column 3, line 22 - column 4, line 13; figures 1,2 column 7, line 38 - column 8, line 54; figures 9,10	13-19, 64-94, 101, 125-128
A	----- US 6 422 941 B1 (THORNER CRAIG [US] ET AL) 23 July 2002 (2002-07-23) column 3, lines 10-29 line 25 - column 8, line 16; figure 1 column 30, lines 47-65 ----- -/--	1-132

Further documents are listed in the continuation of Box C.

See patent family annex.

* Special categories of cited documents :

- "A" document defining the general state of the art which is not considered to be of particular relevance
- "E" earlier document but published on or after the international filing date
- "L" document which may throw doubts on priority claim(s) or which is cited to establish the publication date of another citation or other special reason (as specified)
- "O" document referring to an oral disclosure, use, exhibition or other means
- "P" document published prior to the international filing date but later than the priority date claimed

- "T" later document published after the international filing date or priority date and not in conflict with the application but cited to understand the principle or theory underlying the invention
- "X" document of particular relevance; the claimed invention cannot be considered novel or cannot be considered to involve an inventive step when the document is taken alone
- "Y" document of particular relevance; the claimed invention cannot be considered to involve an inventive step when the document is combined with one or more other such documents, such combination being obvious to a person skilled in the art.
- "&" document member of the same patent family

Date of the actual completion of the international search

8 November 2010

Date of mailing of the international search report

16/11/2010

Name and mailing address of the ISA/

European Patent Office, P.B. 5818 Patentlaan 2
 NL - 2280 HV Rijswijk
 Tel. (+31-70) 340-2040,
 Fax: (+31-70) 340-3016

Authorized officer

Köppl, Martin

INTERNATIONAL SEARCH REPORT

International application No

PCT/IL2010/000559

C(Continuation). DOCUMENTS CONSIDERED TO BE RELEVANT		
Category*	Citation of document, with indication, where appropriate, of the relevant passages	Relevant to claim No.
Y	US 2005/003885 A1 (RHOTEN LARRY D [US]) 6 January 2005 (2005-01-06) paragraphs [0017] - [0026]; figures 1,2a,2b -----	64-94, 101
Y	US 2006/041730 A1 (LARSON DOUGLAS A [US] LARSON DOUGLAS ALAN [US]) 23 February 2006 (2006-02-23) paragraphs [0020] - [0023], [0031] - [0042]; figure 4 -----	13-19, 125-128
X,P	EP 2 163 998 A1 (MACROBLOCK INC [TW]) 17 March 2010 (2010-03-17) paragraphs [0008] - [0019]; figures 1-16 -----	1,80,86, 95, 123-125, 129

INTERNATIONAL SEARCH REPORT

Information on patent family members

International application No

PCT/IL2010/000559

Patent document cited in search report	Publication date	Patent family member(s)	Publication date
US 5385344	A	31-01-1995	NONE
US 6422941	B1	23-07-2002	US 2009069081 A1 US 2008280678 A1
US 2005003885	A1	06-01-2005	US 2005014550 A1
US 2006041730	A1	23-02-2006	AT 435457 T CN 101014941 A EP 1779251 A1 JP 2008510257 T KR 20070039117 A US 2010122059 A1 WO 2006023360 A1
EP 2163998	A1	17-03-2010	JP 2010057150 A KR 20100025455 A US 2010052757 A1