

(19) World Intellectual Property Organization  
International Bureau



(43) International Publication Date  
2 August 2001 (02.08.2001)

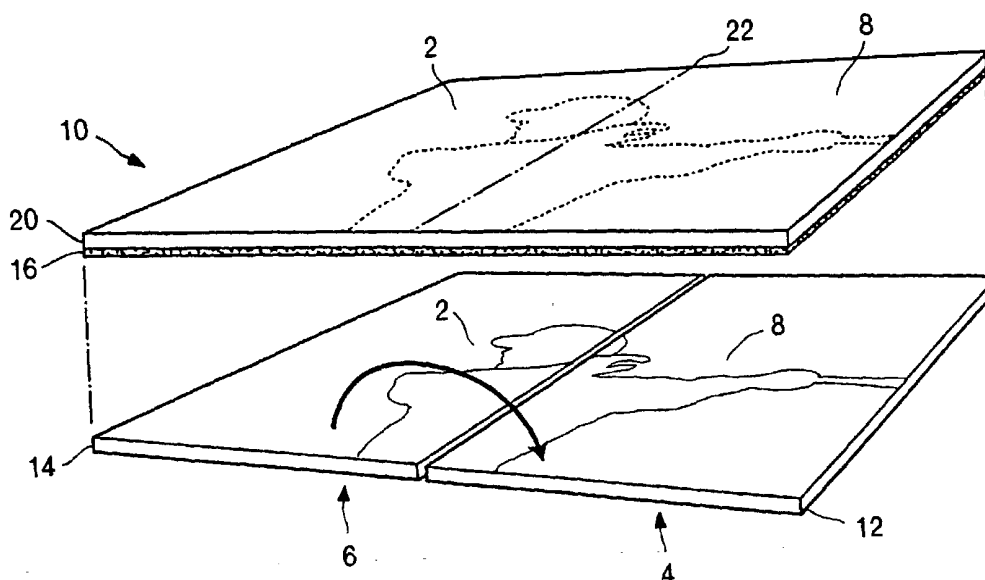
PCT

(10) International Publication Number  
**WO 01/54921 A3**

- (51) International Patent Classification<sup>7</sup>: **B42D 15/04**
- (21) International Application Number: PCT/US01/02272
- (22) International Filing Date: 24 January 2001 (24.01.2001)
- (25) Filing Language: English
- (26) Publication Language: English
- (30) Priority Data:  
09/493,967 28 January 2000 (28.01.2000) US
- (71) Applicant: **CHROMIUM GRAHICS** [US/US]; Suite 250, 5927 Priestly Drive, Carlsbad, CA 92008 (US).
- (72) Inventors: **KLIFF, Steven, L.**; 4 Quail Place, Coto de Caza, CA 92679 (US). **MCKILLIP, Barron, G.**; 5775 Glen Oaks Drive, Laverne, CA 91750 (US).
- (74) Agents: **BURPEE, Charles, E.** et al.; Warner Norcross & Judd LLP, 900 Old Kent Building, 111 Lyon Street, N.W., Grand Rapids, MI 49503 (US).
- (81) Designated States (*national*): AE, AG, AL, AM, AT, AU, AZ, BA, BB, BG, BR, BY, BZ, CA, CH, CN, CR, CU, CZ, DE, DK, DM, DZ, EE, ES, FI, GB, GD, GE, GH, GM, HR, HU, ID, IL, IN, IS, JP, KE, KG, KP, KR, KZ, LC, LK, LR, LS, LT, LU, LV, MA, MD, MG, MK, MN, MW, MX, MZ, NO, NZ, PL, PT, RO, RU, SD, SE, SG, SI, SK, SL, TJ, TM, TR, TT, TZ, UA, UG, UZ, VN, YU, ZA, ZW.
- (84) Designated States (*regional*): ARIPO patent (GH, GM, KE, LS, MW, MZ, SD, SL, SZ, TZ, UG, ZW). Eurasian patent (AM, AZ, BY, KG, KZ, MD, RU, TJ, TM). European patent (AT, BE, CH, CY, DE, DK, ES, FI, FR, GB, GR, IE, IT, LU, MC, NL, PT, SE, TR). OAPI patent (BF, BJ, CF, CG, CI, CM, GA, GN, GW, ML, MR, NE, SN, TD, TG).
- Published:  
— with international search report
- (88) Date of publication of the international search report:  
21 February 2002

For two-letter codes and other abbreviations, refer to the "Guidance Notes on Codes and Abbreviations" appearing at the beginning of each regular issue of the PCT Gazette.

(54) Title: FOLDABLE CARDS AND RELATED METHOD OF MANUFACTURE



(57) Abstract: A foldable trading card including two adjacent cards hingedly connected to one another with a clear overlamine layer. A method of manufacturing the foldable trading card comprising the steps of: providing a two-sided sheet construction of multiple first and second cards in paired configuration; cutting the sheet construction to bisect the paired cards; providing registration indicia on the sheet construction; depositing a laminate over the sheet construction so that bisected pairs are joined; and, cutting the sheet construction with overlamine layer in register with the registration indicia to form an independent foldable trading cards having first and second cards of substantially identical size and shape.



WO 01/54921 A3

# INTERNATIONAL SEARCH REPORT

Inte. onal Application No  
PCT/US 01/02272

**A. CLASSIFICATION OF SUBJECT MATTER**  
IPC 7 B42D15/04

According to International Patent Classification (IPC) or to both national classification and IPC

**B. FIELDS SEARCHED**

Minimum documentation searched (classification system followed by classification symbols)  
IPC 7 B42D B44F

Documentation searched other than minimum documentation to the extent that such documents are included in the fields searched

Electronic data base consulted during the international search (name of data base and, where practical, search terms used)

PAJ, WPI Data, EPO-Internal

**C. DOCUMENTS CONSIDERED TO BE RELEVANT**

Category °	Citation of document, with indication, where appropriate, of the relevant passages	Relevant to claim No.
A	US 5 063 637 A (HOWARD JR DAGGETT H ET AL) 12 November 1991 (1991-11-12) column 2, line 65 -column 3, line 44 ---	1, 15, 16, 20
A	US 3 206 225 A (OLESON DELBERT A) 14 September 1965 (1965-09-14) claims ---	1, 15, 16, 20
A	FR 2 572 027 A (HELIO CACHAN STE NLE) 25 April 1986 (1986-04-25) page 2, line 25 - line 37 ---	1, 15, 16, 20
A	US 4 140 317 A (RAMNEY TIBERIUS J) 20 February 1979 (1979-02-20) column 1, line 42 -column 3, line 16 -----	1, 15, 16, 20

Further documents are listed in the continuation of box C.

Patent family members are listed in annex.

° Special categories of cited documents :

- \*A\* document defining the general state of the art which is not considered to be of particular relevance
- \*E\* earlier document but published on or after the international filing date
- \*L\* document which may throw doubts on priority claim(s) or which is cited to establish the publication date of another citation or other special reason (as specified)
- \*O\* document referring to an oral disclosure, use, exhibition or other means
- \*P\* document published prior to the international filing date but later than the priority date claimed

- \*T\* later document published after the international filing date or priority date and not in conflict with the application but cited to understand the principle or theory underlying the invention
- \*X\* document of particular relevance; the claimed invention cannot be considered novel or cannot be considered to involve an inventive step when the document is taken alone
- \*Y\* document of particular relevance; the claimed invention cannot be considered to involve an inventive step when the document is combined with one or more other such documents, such combination being obvious to a person skilled in the art.
- \*Z\* document member of the same patent family

Date of the actual completion of the international search

13 September 2001

Date of mailing of the international search report

20/09/2001

Name and mailing address of the ISA

European Patent Office, P.B. 5818 Patentlaan 2  
NL - 2280 HV Rijswijk  
Tel. (+31-70) 340-2040, Tx. 31 651 epo nl,  
Fax: (+31-70) 340-3016

Authorized officer

Herrmann, J

# INTERNATIONAL SEARCH REPORT

Information on patent family members

Inter. Patent Application No

PCT/US 01/02272

Patent document cited in search report		Publication date	Patent family member(s)	Publication date
US 5063637	A	12-11-1991	AT 144021 T AU 5278790 A CA 2049001 A1 DE 69028848 D1 DE 69028848 T2 DK 463063 T3 EP 0463063 A1 ES 2094754 T3 WO 9011426 A1	15-10-1996 22-10-1990 18-09-1990 14-11-1996 30-04-1997 03-03-1997 02-01-1992 01-02-1997 04-10-1990
US 3206225	A	14-09-1965	NONE	
FR 2572027	A	25-04-1986	FR 2572027 A1	25-04-1986
US 4140317	A	20-02-1979	NONE	