



US00D894697S

(12) **United States Design Patent**  
Stewart

(10) **Patent No.:** US D894,697 S

(45) **Date of Patent:** \*\* Sep. 1, 2020

(54) **KITCHEN UTENSIL**  
(71) Applicant: **Rachael E. Stewart**, Solon, OH (US)  
(72) Inventor: **Rachael E. Stewart**, Solon, OH (US)  
(\*\*) Term: **15 Years**  
(21) Appl. No.: **29/671,864**

2,665,649 A \* 1/1954 Cesare ..... A21C 11/106  
425/299  
2,695,450 A 11/1954 Platts  
4,606,123 A 8/1986 Wrench  
D621,668 S \* 8/2010 Zemel ..... D7/672  
D679,961 S \* 4/2013 Zemel ..... D7/672  
D770,866 S \* 11/2016 Bernheim ..... D7/672  
D770,867 S \* 11/2016 Repac ..... D7/672  
2003/0204914 A1 11/2003 Bernardeau

\* cited by examiner

(22) Filed: **Nov. 30, 2018**  
(51) **LOC (12) Cl.** ..... **07-04**  
(52) **U.S. Cl.**  
USPC ..... **D7/672**  
(58) **Field of Classification Search**  
USPC ..... D7/672-677, 680-696  
CPC ..... A47J 43/20; A21C 11/106; A21C 15/04;  
B26D 1/00; B26D 1/01; B26D 3/26;  
B26B 3/04  
See application file for complete search history.

*Primary Examiner* — Terry A Wallace  
(74) *Attorney, Agent, or Firm* — Allen Dyer

(57) **CLAIM**

The ornamental design for kitchen utensil, as shown and described.

**DESCRIPTION**

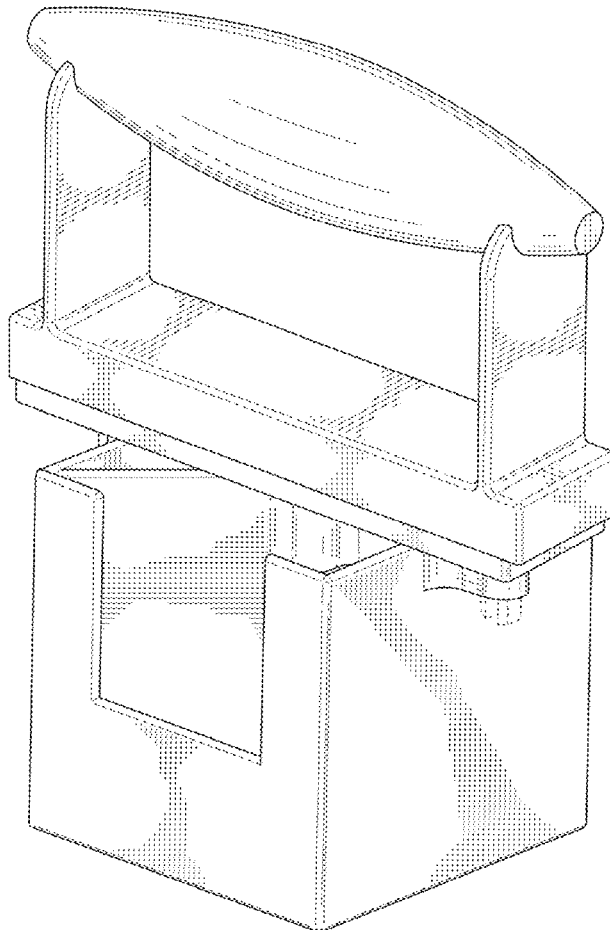
FIG. 1 is a top perspective view of a kitchen utensil;  
FIG. 2 is a front elevational view of the kitchen utensil;  
FIG. 3 is a rear elevational view of the kitchen utensil;  
FIG. 4 is a left side view of the kitchen utensil;  
FIG. 5 is a right side view of the kitchen utensil;  
FIG. 6 is a top view of the kitchen utensil; and,  
FIG. 7 is a bottom view of the kitchen utensil.  
The broken lines are for illustrative purposes only and form no part of the claimed design.

(56) **References Cited**

U.S. PATENT DOCUMENTS

388,904 A \* 9/1888 Nash ..... A21C 11/106  
30/301  
1,978,532 A 10/1934 Gurnee

**1 Claim, 6 Drawing Sheets**



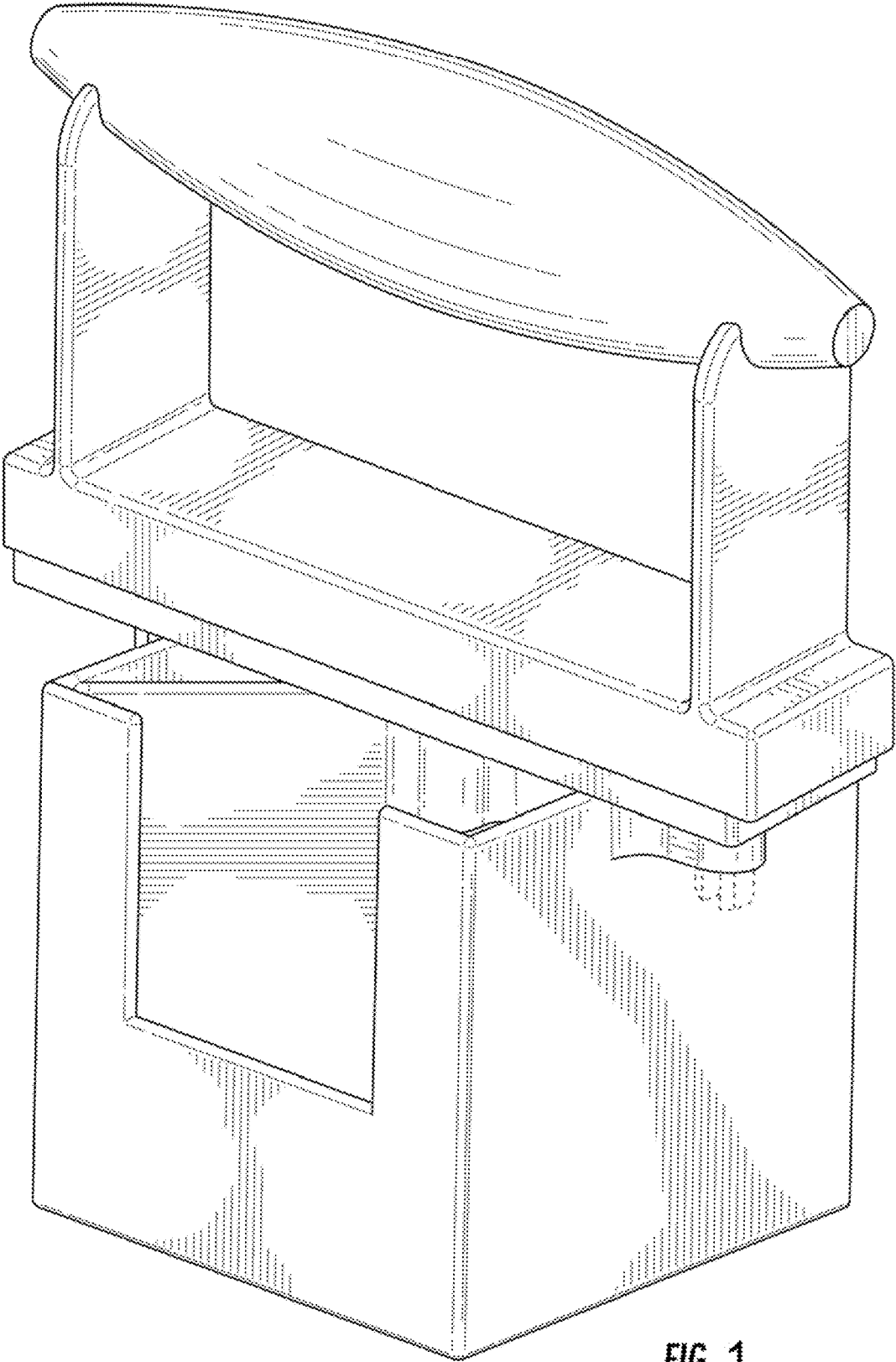


FIG. 1

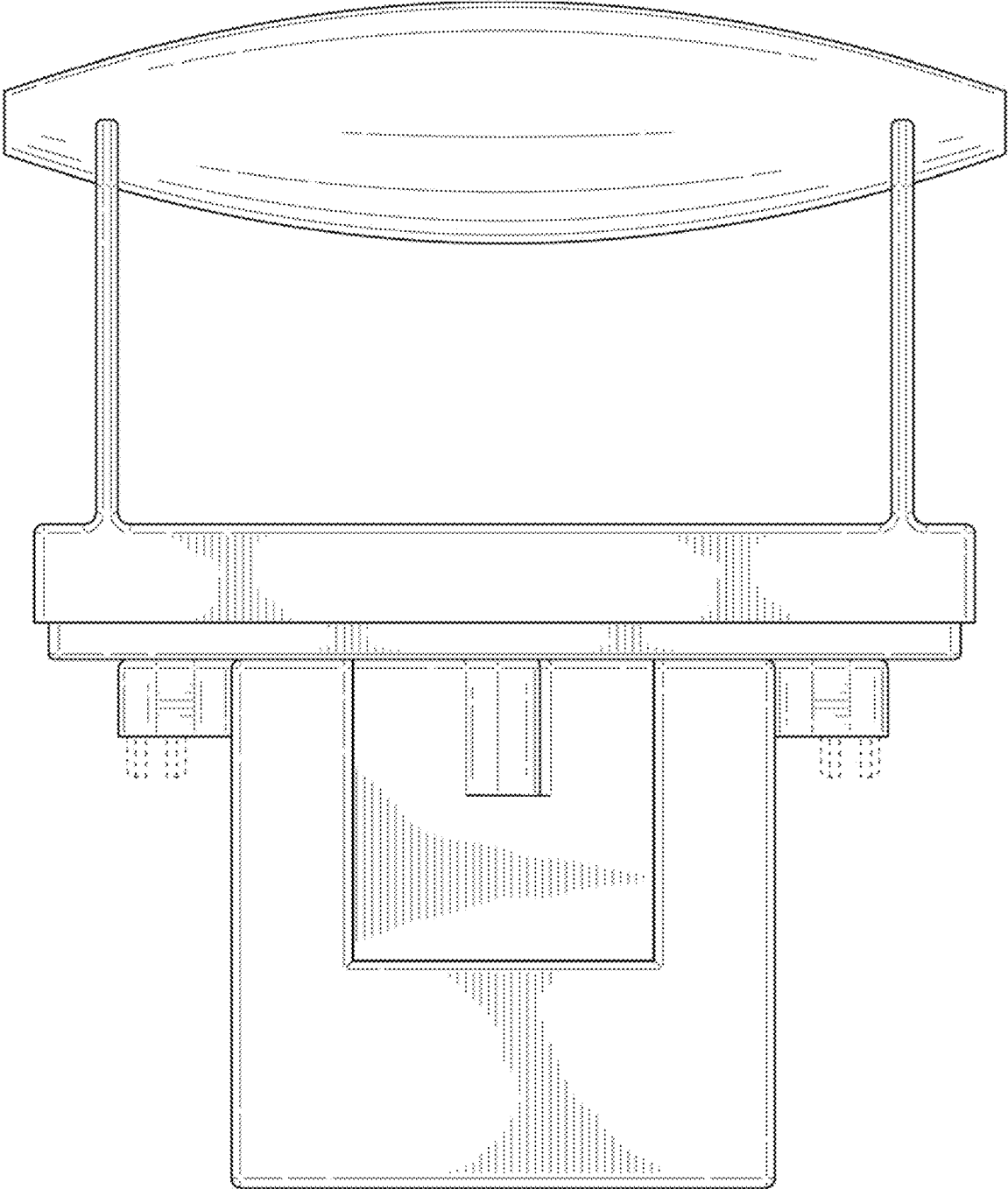


FIG. 2

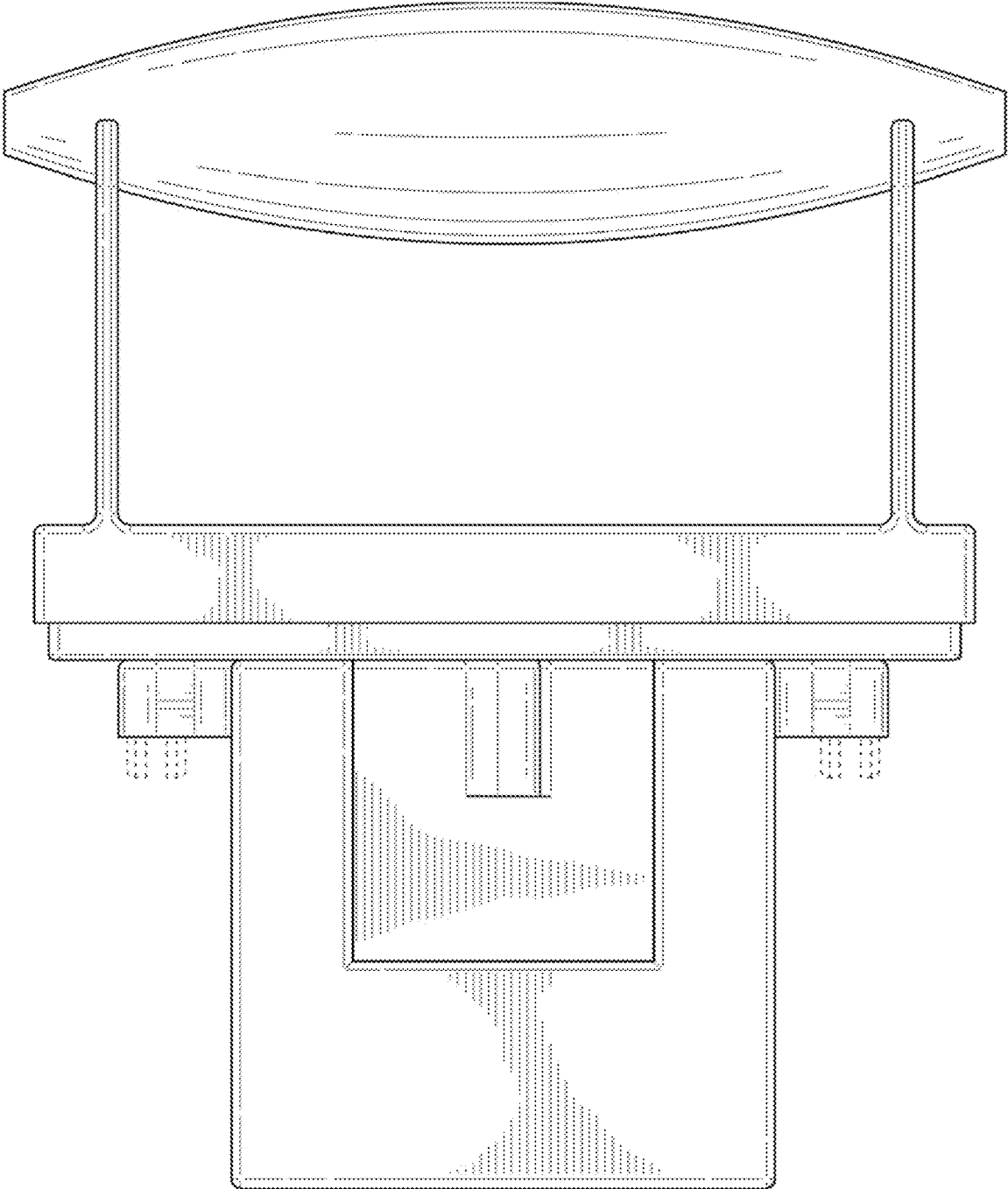


FIG. 3

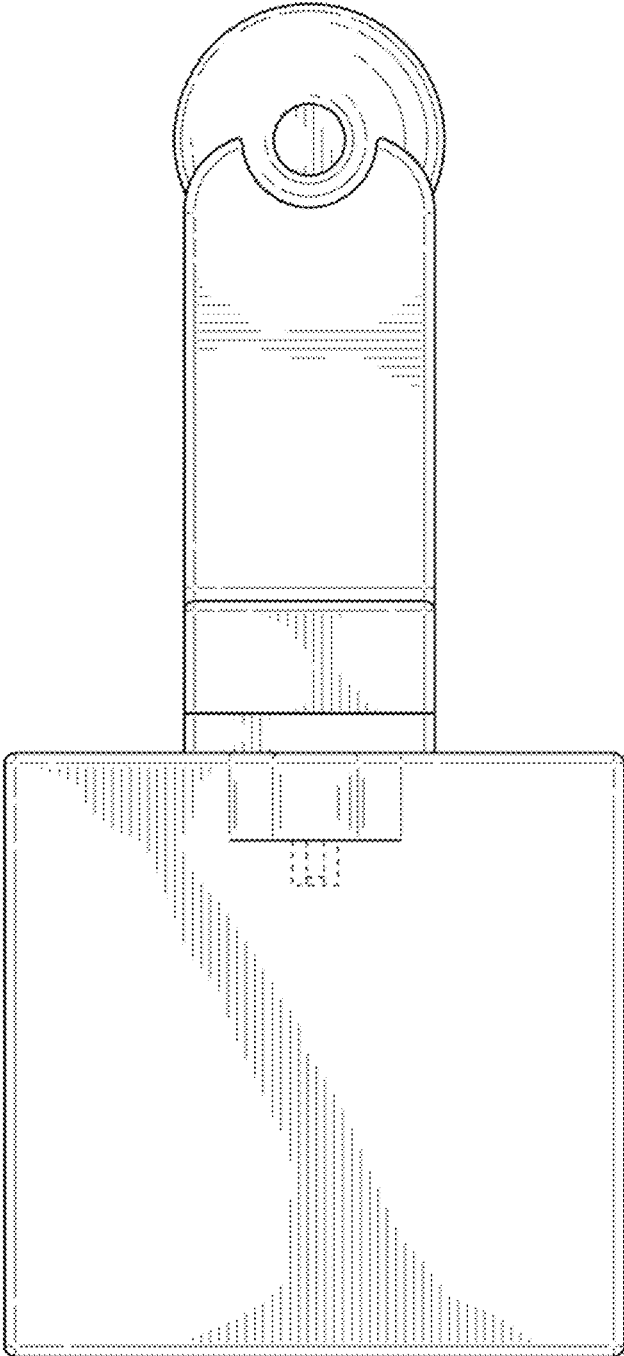


FIG. 4

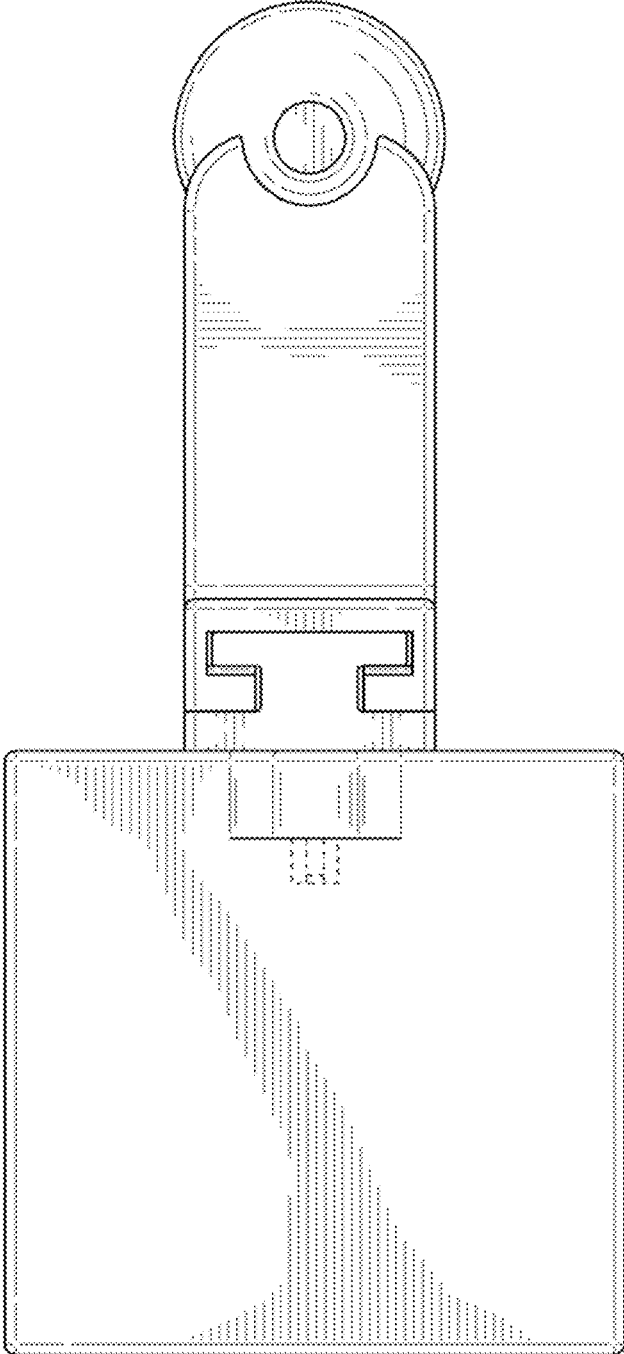


FIG. 5

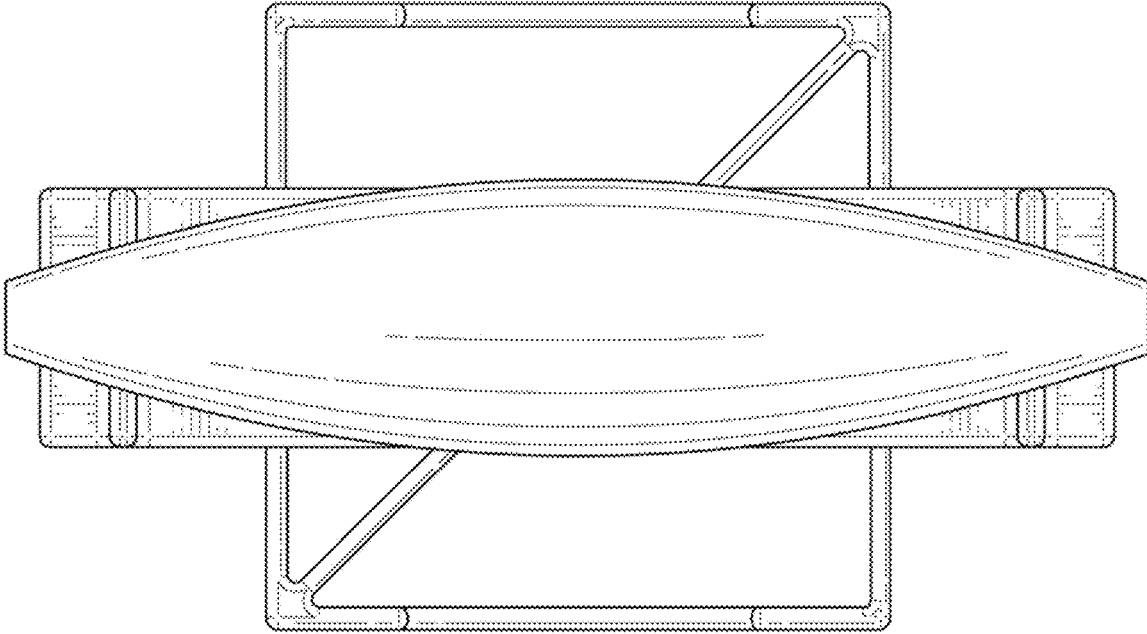


FIG. 6

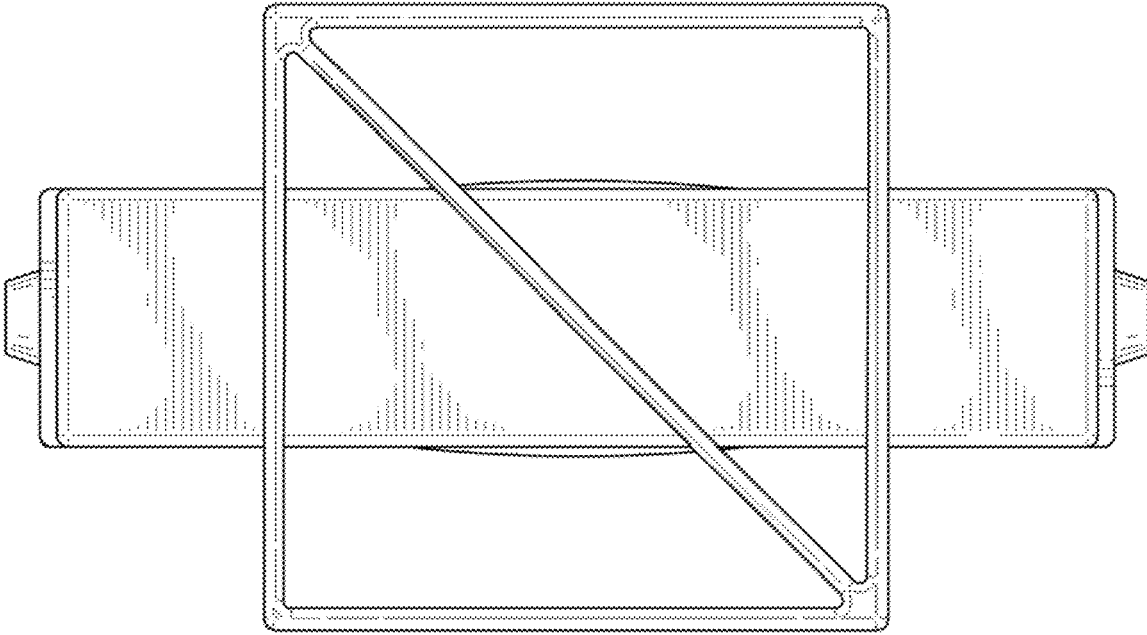


FIG. 7