

[54] **FOOD TRAY FOR USE IN VEHICLES**

[76] Inventors: **Benny B. Morales**, 2550 Cucamonga, Ontario, Calif. 91761; **Charles A. Macias**, 19552 Gault St., Reseda, Calif. 91335

[\*\*] Term: **14 Years**

[21] Appl. No.: **869,953**

[22] Filed: **Jun. 2, 1986**

[52] U.S. Cl. .... **D3/40**

[58] Field of Search ..... 220/427, DIG. 13, DIG. 14; D3/39, 40

[56] **References Cited**

**U.S. PATENT DOCUMENTS**

D. 154,468	7/1949	Foulke .....	D7/71
D. 162,959	4/1951	Janes et al. ....	D7/70
D. 247,327	2/1978	Tracy .....	D3/40
D. 265,351	7/1982	Wooters .....	D3/40

D. 279,836	7/1985	Tanaka .....	D3/40
D. 279,837	7/1985	Tanaka .....	D3/40
D. 287,789	1/1987	Johnson .....	D3/40
D. 288,054	2/1987	Sculte et al. ....	D3/40 X
3,233,563	2/1966	Mauchline .....	D7/71 X

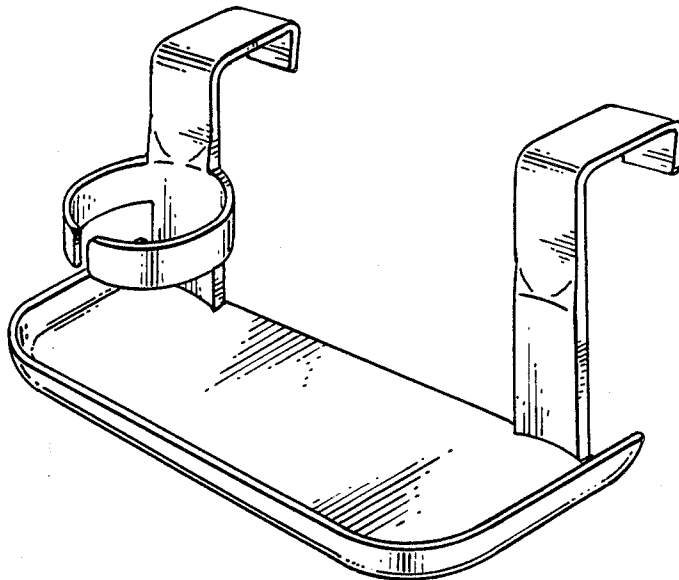
*Primary Examiner*—Bruce W. Dunkins  
*Assistant Examiner*—Y. Brunot  
*Attorney, Agent, or Firm*—Edgar W. Averill, Jr.

[57] **CLAIM**

The ornamental design for a food tray for use in vehicles, as shown and described.

**DESCRIPTION**

FIG. 1 is a front perspective view of a food tray for use in vehicles showing our new design;  
FIG. 2 is a left side elevational view;  
FIG. 3 is a rear elevational view;  
FIG. 4 is a bottom plan view; and  
FIG. 5 is a front perspective view of a second embodiment showing our design.



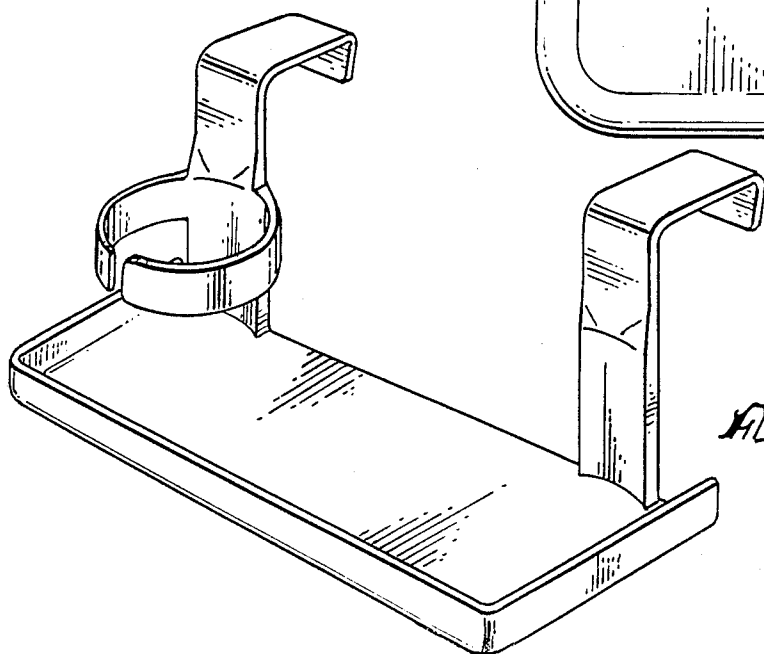
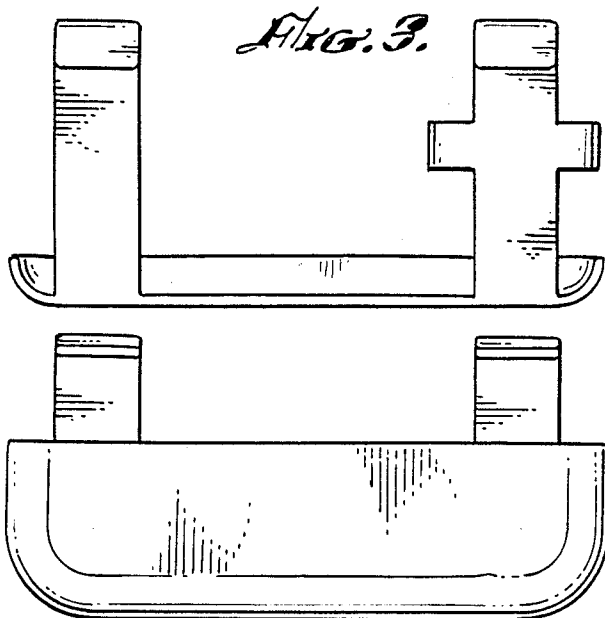
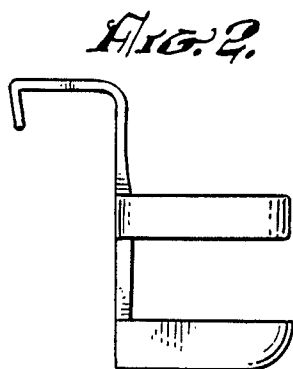
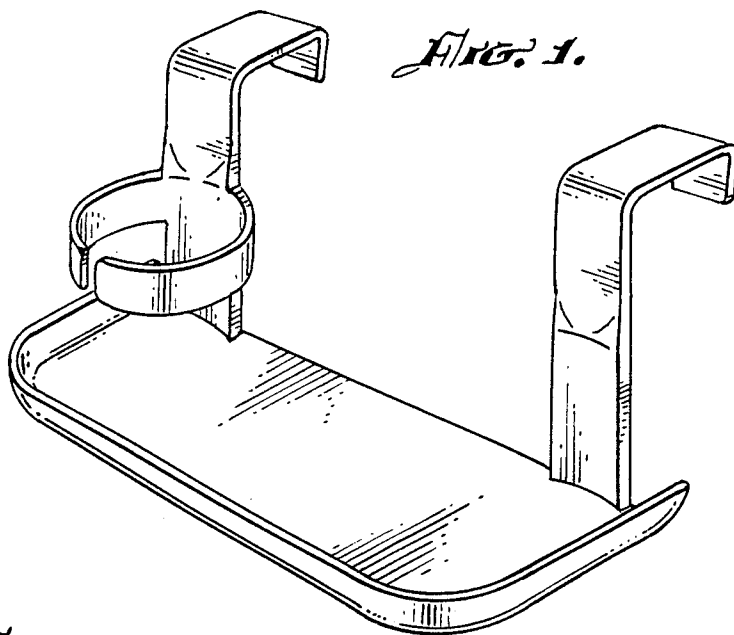


Fig. 4.