

United States Patent [19]

Braswell

[11] Patent Number: Des. 320,682

[45] Date of Patent: ** Oct. 8, 1991

[54] BEACH CART

[76] Inventor: Bobby R. Braswell, 813 S. Andrews Ave., Goldsboro, N.C. 27530

[**] Term: 14 Years

[21] Appl. No.: 347,800

[22] Filed: May 5, 1989

[52] U.S. Cl. D34/18; D34/19

[58] Field of Search D34/12, 18, 17, 19, D34/24, 25, 26, 27; 280/79.11, 79.2, 79.4, 79.6, 79.7, 47.26, 47.23, 47.24, 62

[56] References Cited

U.S. PATENT DOCUMENTS

D. 191,504 10/1961 Zupanctc D34/17
D. 284,416 6/1986 Smith D34/23

1,527,419 2/1925 Leonard, Jr. 280/79.11
3,495,845 2/1970 Jensen 280/79.2
4,856,810 8/1989 Smith D34/19

Primary Examiner—Kay H. Chin

Attorney, Agent, or Firm—Rhodes, Coats & Bennett

[57] CLAIM

The ornamental design for a beach cart, as shown and described.

DESCRIPTION

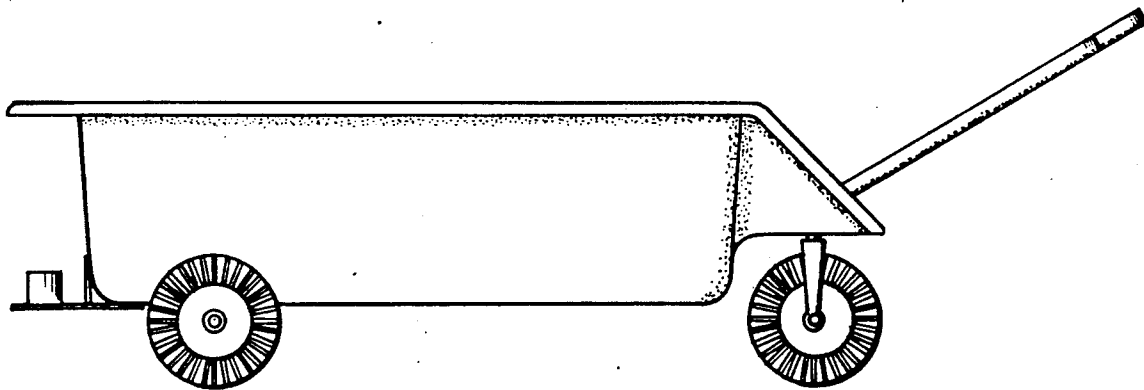
FIG. 1 is a top plan view of a beach cart showing my new design;

FIG. 2 is a side elevational view thereof, the opposite side view being a mirror image of that shown;

FIG. 3 is a front elevational view thereof;

FIG. 4 is a rear elevational view thereof; and

FIG. 5 is a bottom plan view thereof.



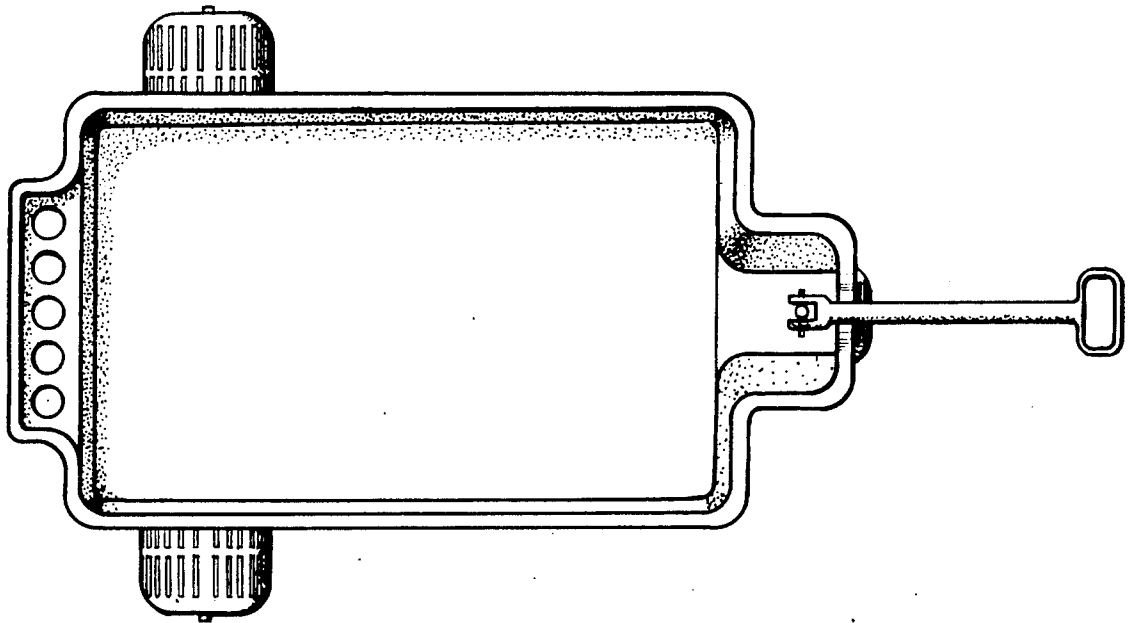


Fig. 1

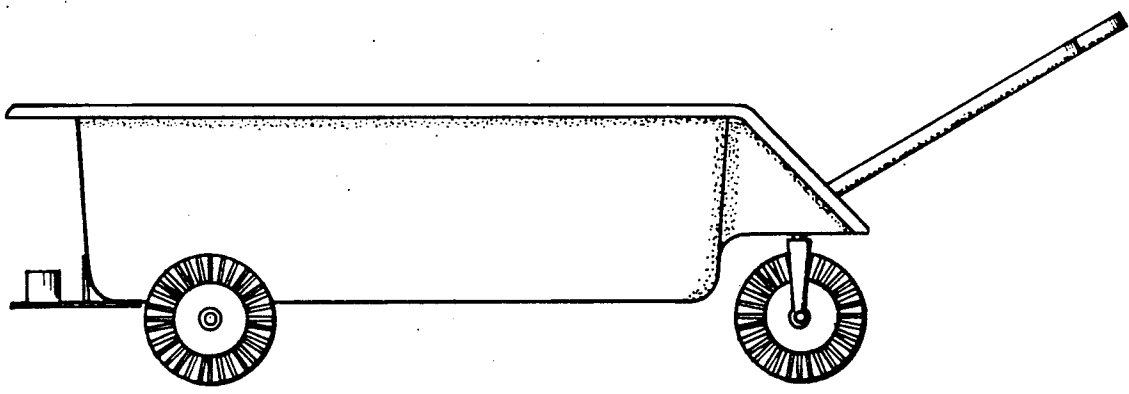


Fig. 2

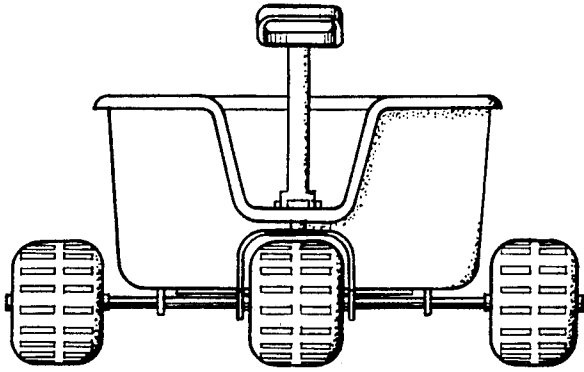


Fig. 3

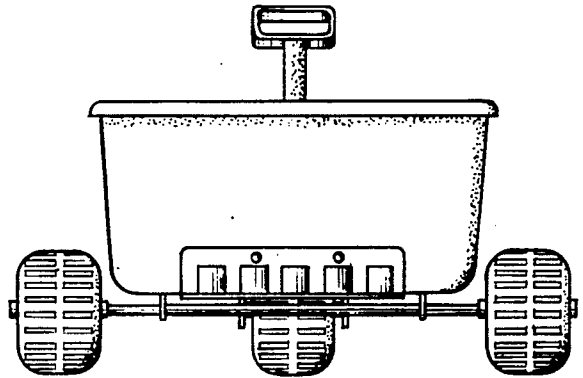


Fig. 4

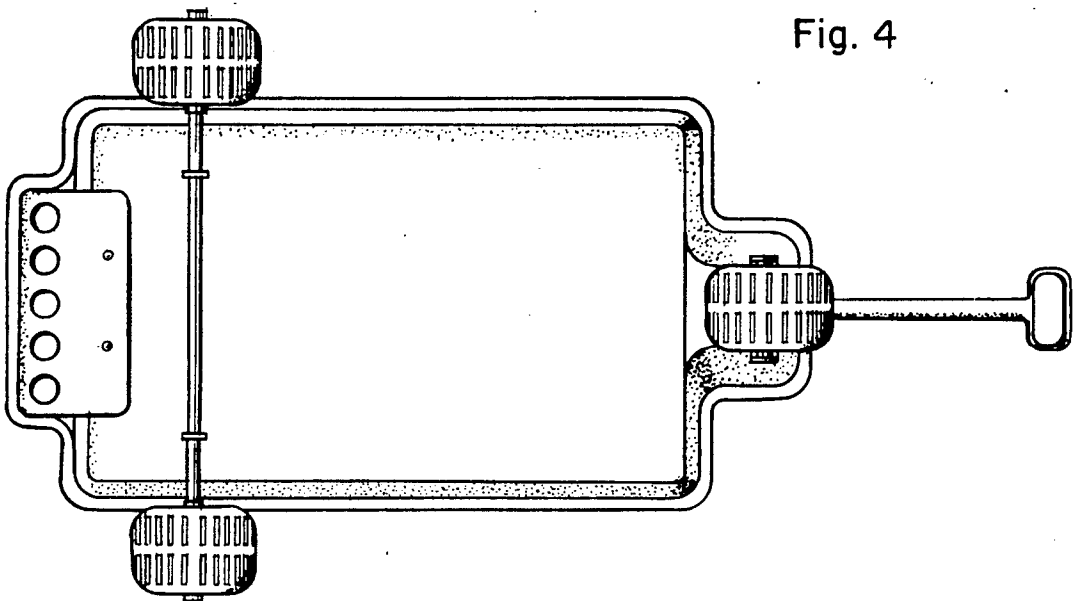


Fig. 5