



US00D327389S

United States Patent [19]

[11] Patent Number: **Des. 327,389**

Flores et al.

[45] Date of Patent: **** Jun. 30, 1992**

[54] **CUSHION UNIT**

[76] Inventors: **Luis R. Flores**, 2880 S. Locust #706S, Denver, Colo. 80222; **Pat Minyard**, 15661 E. Eldorado Dr., Aurora, Colo. 80013

[**] Term: **14 Years**

[21] Appl. No.: **576,707**

[22] Filed: **Aug. 31, 1990**

[52] U.S. Cl. **D6/601**

[58] Field of Search **D6/595-596, D6/601, 604, 431-432, 434, 440-441, 443, 448-449, 451; 297/452, 461, DIG. 1**

[56] **References Cited**

U.S. PATENT DOCUMENTS

D. 258,557 3/1981 Herr D6/601
D. 284,248 6/1986 Challen D6/596 X

D. 285,512 9/1986 Bool D6/596 X
D. 316,354 4/1991 Bool D6/601
4,709,431 12/1987 Shaktman 5/431 X
4,726,624 2/1988 Jay 297/452 X
4,835,801 6/1989 Walpin et al. 5/432

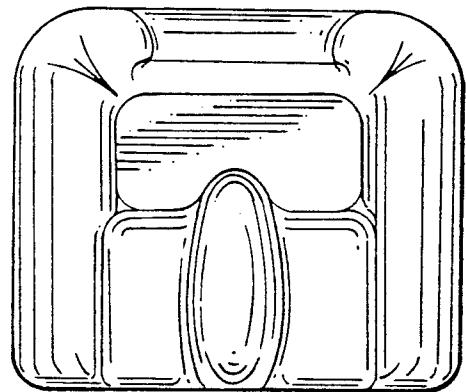
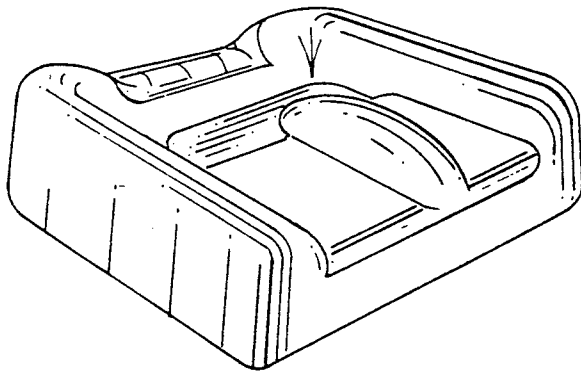
Primary Examiner—Brian N. Vinson
Attorney, Agent, or Firm—Jay K. Malkin

[57] **CLAIM**

The ornamental design for a cushion unit, as shown and described.

DESCRIPTION

FIG. 1 is a top, front, and left side perspective view of a cushion unit showing our new design; FIG. 2 is a top plan view thereof; FIG. 3 is a bottom plan view thereof; FIG. 4 is a front elevational view thereof; FIG. 5 is a rear elevational view thereof; and, FIG. 6 is a right side elevational view thereof, the left side being a mirror image of that shown.



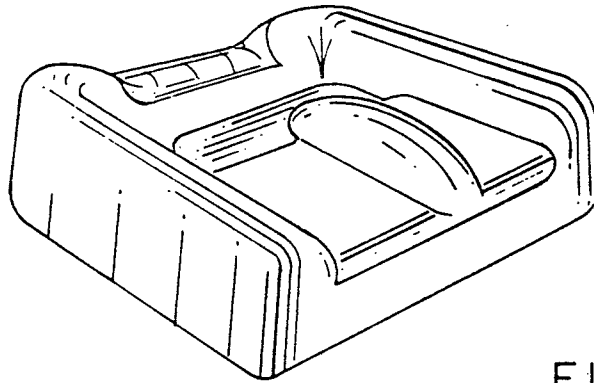


FIG. 1

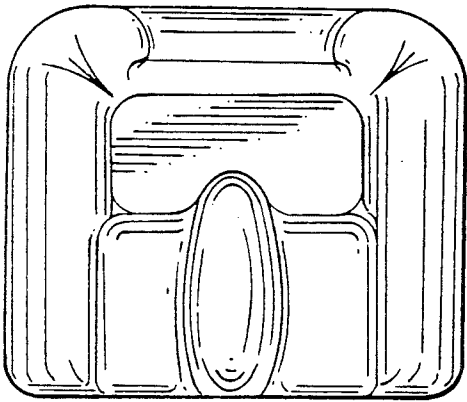


FIG. 2

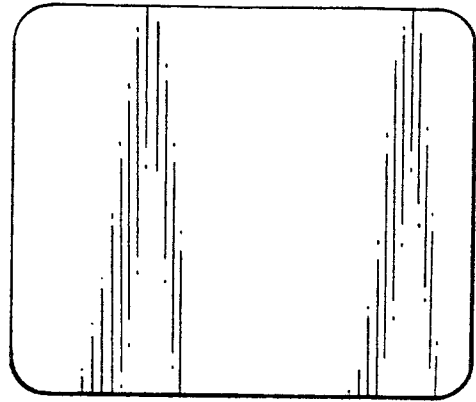


FIG. 3

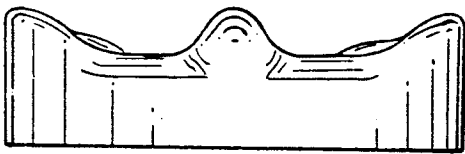


FIG. 4

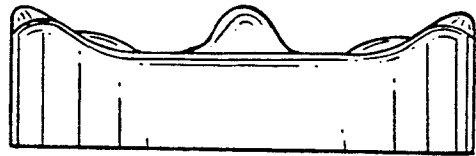


FIG. 5

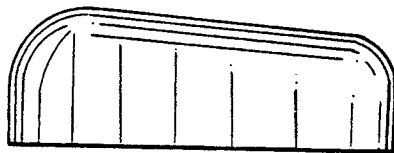


FIG. 6