



US00D758804S

(12) **United States Design Patent**
Liotta et al.

(10) **Patent No.:** **US D758,804 S**
(45) **Date of Patent:** **** Jun. 14, 2016**

- (54) **BEVERAGE CONTAINER HOLDER**
- (71) Applicant: **ThinkGeek, Inc.**, Fairfax, VA (US)
- (72) Inventors: **Tyson Liotta**, Rockville, MD (US);
Taehoon Kim, Annandale, VA (US)
- (73) Assignee: **ThinkGeek, Inc.**, Fairfax, VA (US)
- (**) Term: **14 Years**
- (21) Appl. No.: **29/502,193**
- (22) Filed: **Sep. 12, 2014**
- (51) **LOC (10) Cl.** **07-06**
- (52) **U.S. Cl.**
USPC **D7/622**
- (58) **Field of Classification Search**
USPC D7/619.1-625, 701-708, 509-511, 444,
D7/455
CPC A47G 23/0266; A47G 23/0233; A47G
23/0258; A47G 23/0216; A47G 23/03;
A47G 23/0241; A47G 2023/0283
See application file for complete search history.

- 3,719,305 A * 3/1973 Pressnell A47G 23/0233
215/395
- D229,156 S * 11/1973 Mousette 220/740
- D298,200 S * 10/1988 Block D7/622
- D350,457 S * 9/1994 Bailey D7/509
- 5,921,431 A * 7/1999 Pych A47G 23/0241
215/10
- 6,729,496 B2 * 5/2004 Kenny A47G 23/0266
220/742

* cited by examiner

Primary Examiner — Terry Wallace
(74) *Attorney, Agent, or Firm* — Womble Carlyle Sandridge & Rice LLP

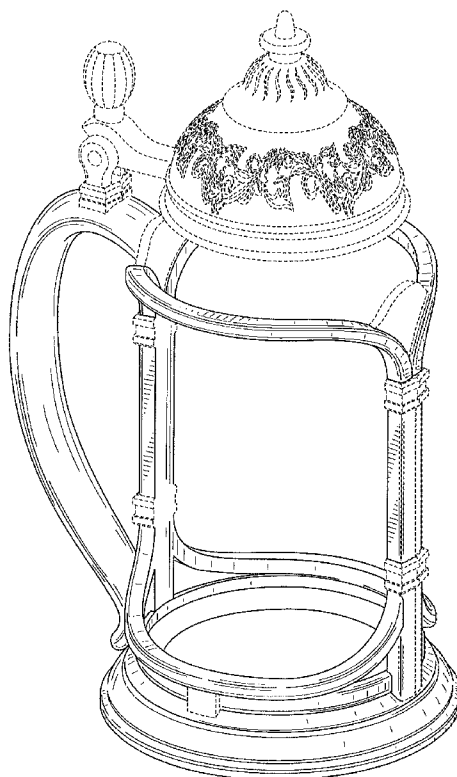
(57) **CLAIM**
The ornamental design for a beverage container holder, as shown and described.

DESCRIPTION

FIG. 1 is a perspective view of a beverage container holder showing our new design.
FIG. 2 is a front view thereof.
FIG. 3 is a rear view thereof.
FIG. 4 is a right side view thereof.
FIG. 5 is a left side view thereof.
FIG. 6 is a top plan view thereof; and,
FIG. 7 is a bottom plan view thereof.
The broken lines are for illustrative purposes only and form no part of the claimed design.

1 Claim, 6 Drawing Sheets

- (56) **References Cited**
U.S. PATENT DOCUMENTS
2,896,812 A * 7/1959 Paprocki A47G 23/0266
220/740
D194,364 S * 1/1963 Hansen D7/511
D194,696 S * 2/1963 Kidd D7/511



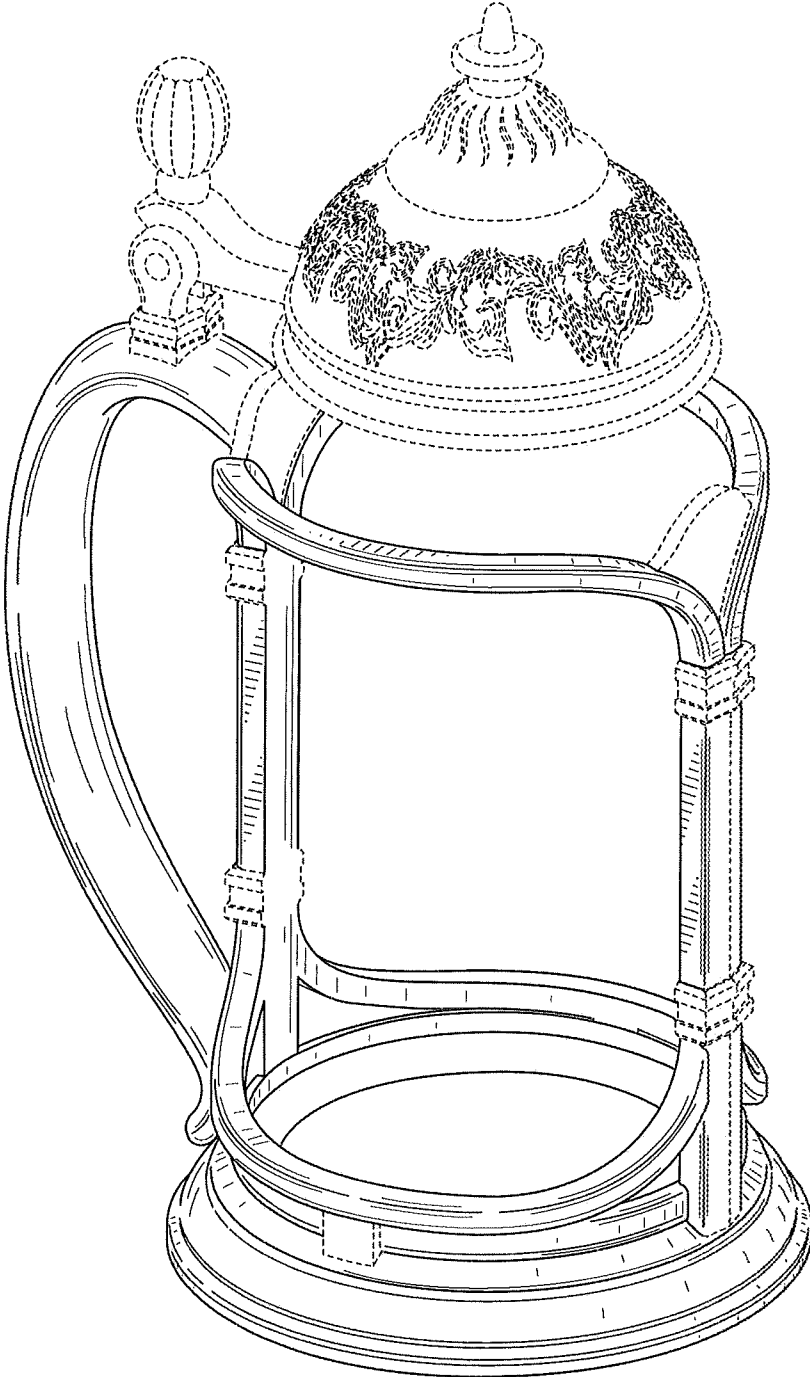


FIG. 1

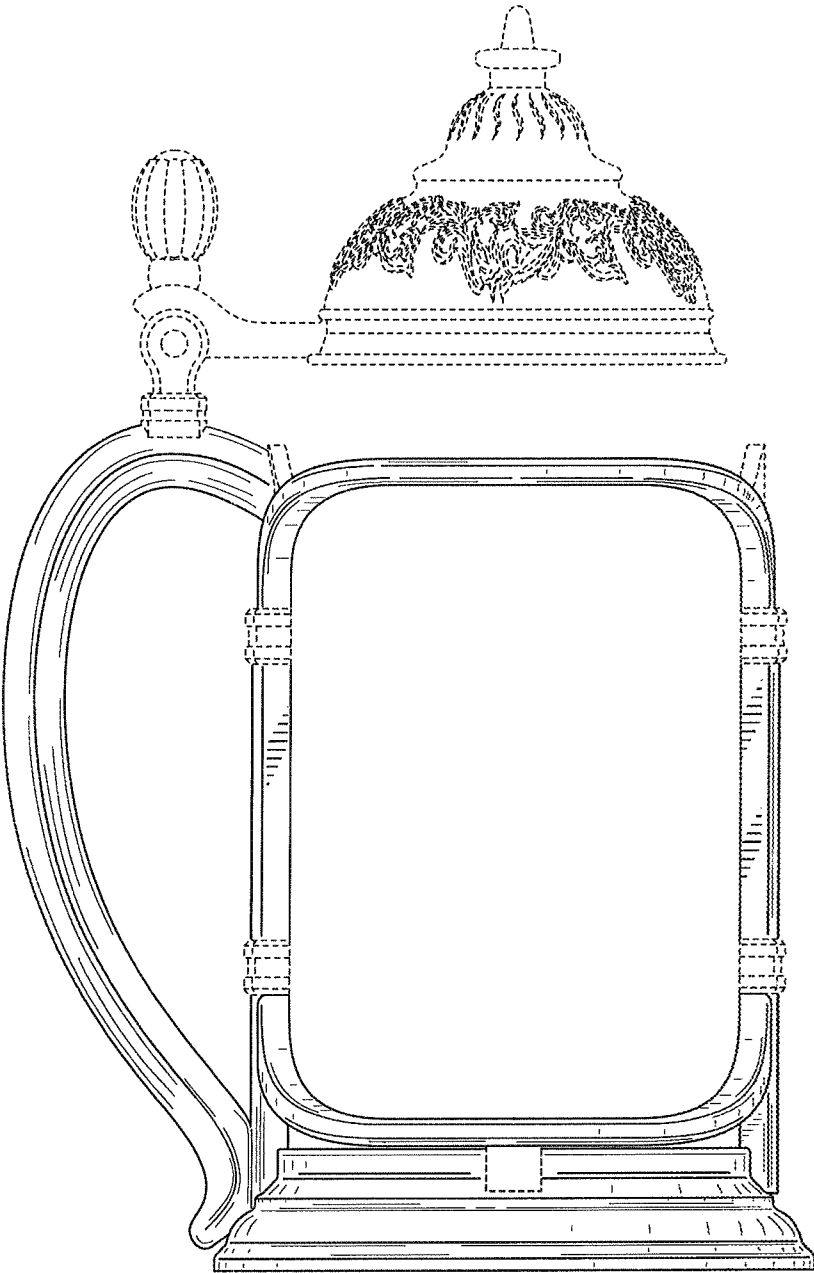


FIG. 2

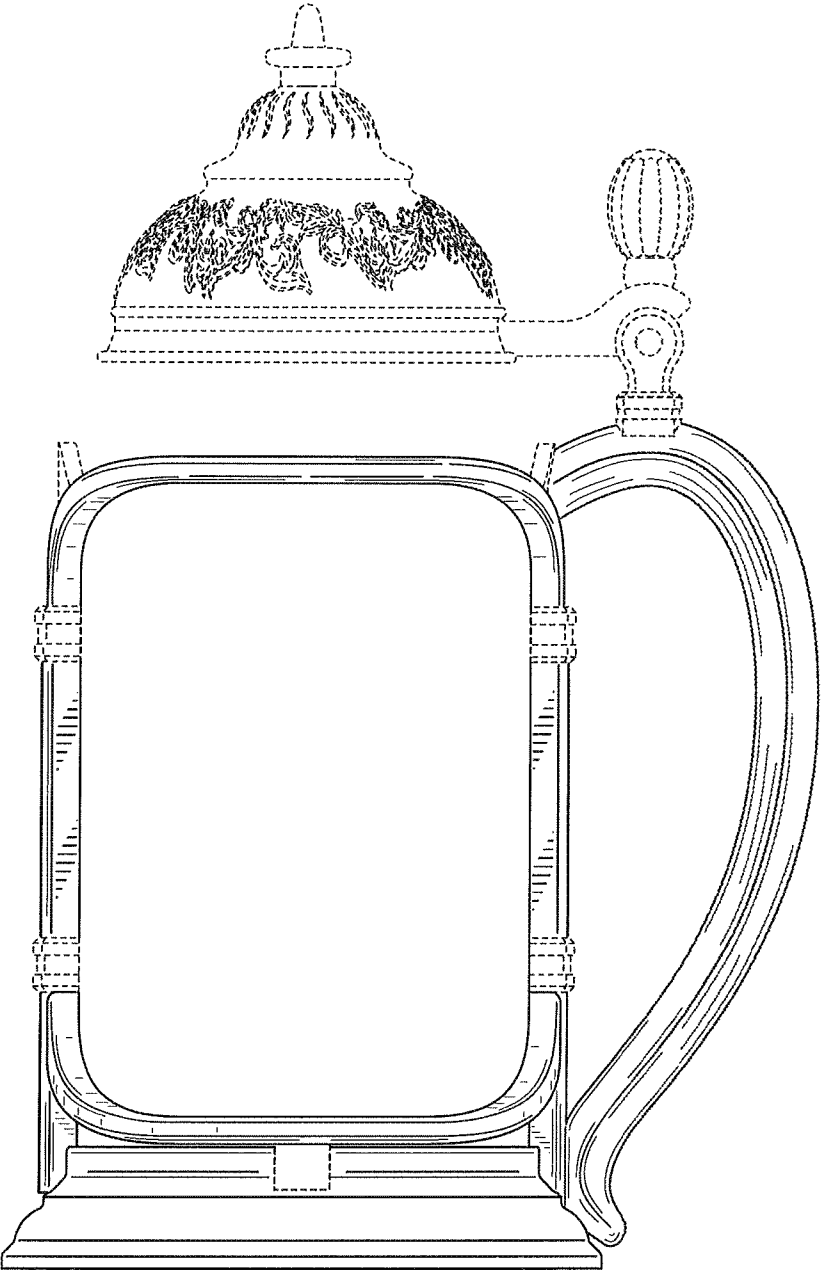


FIG. 3

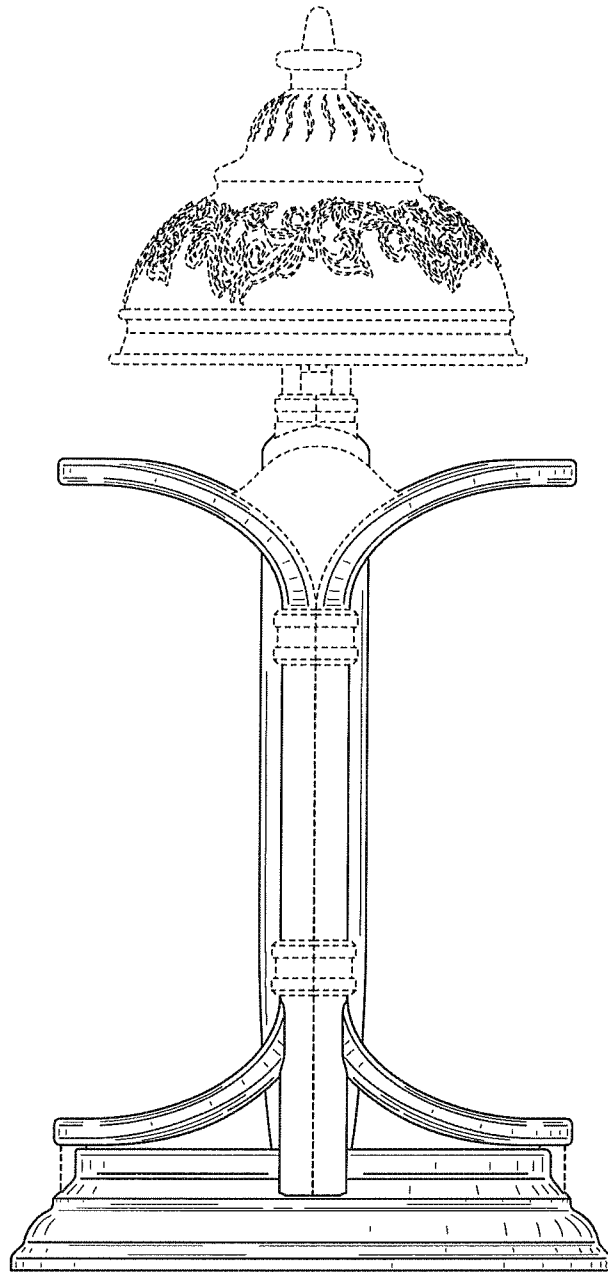


FIG. 4

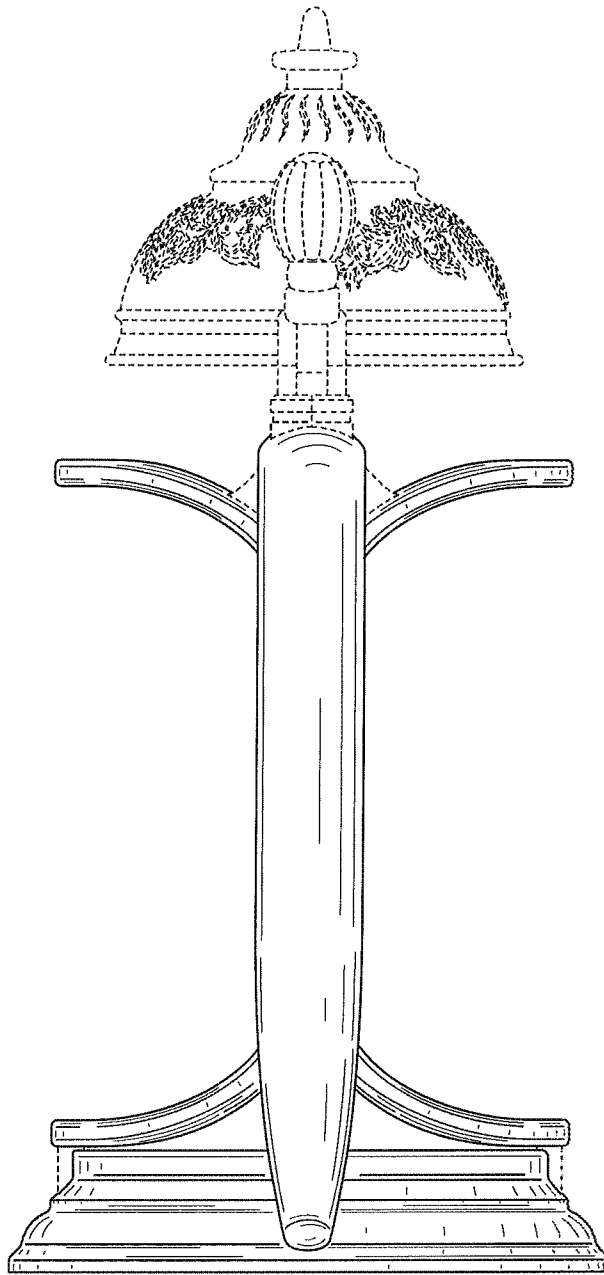


FIG. 5

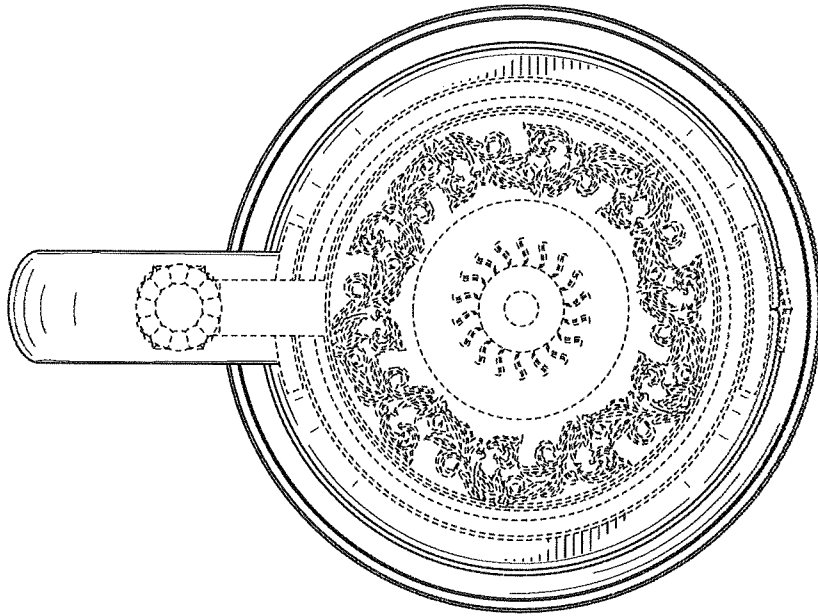


FIG. 6

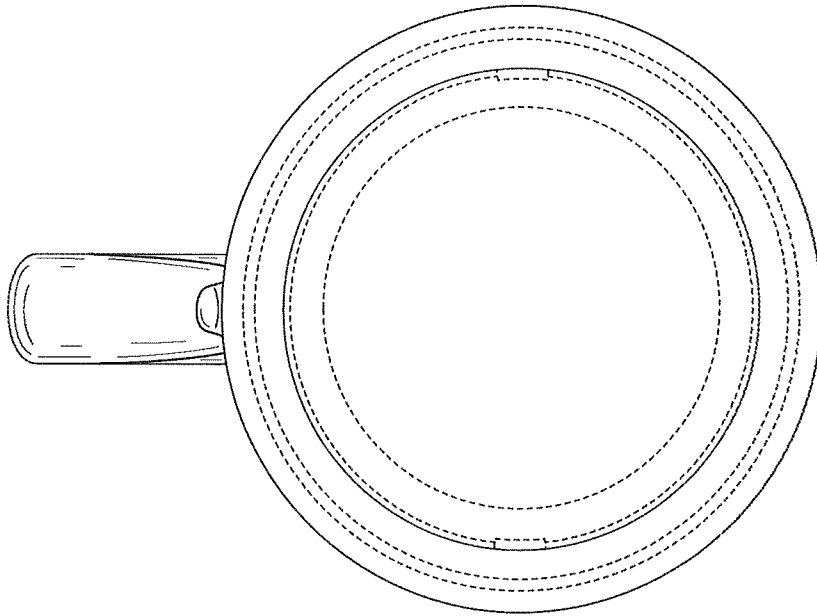


FIG. 7