



- (51) International Patent Classification:
E05B 81/00 (2014.01) *E05B 83/18* (2014.01)
- (21) International Application Number:
PCT/TR2018/050618
- (22) International Filing Date:
23 October 2018 (23.10.2018)
- (25) Filing Language: Turkish
- (26) Publication Language: English
- (30) Priority Data:
2017/16675 27 October 2017 (27.10.2017) TR
- (71) Applicant: **ARIKAN KRİKO VE MAKİNA SANAYİ VE TİCARET ANONİM ŞİRKETİ** [TR/TR]; Organize Sanayi Bölgesi 2 Cad. No:2, 26110 Odunpazarı/Eskişehir (TR).
- (72) Inventor: **ANIK, Mustafa Okan**; Organize Sanayi Bölgesi 2 Cad., Eskişehir (TR).
- (74) Agent: **BİLEN SINAİ MÜLK. HİZ. DAN. MÜH. İTH. İHR. TİC. LTD. ŞTİ.**; Hüdavendigarmah. Bent Cad. No:163/B, Osmangazi/Bursa (TR).
- (81) Designated States (unless otherwise indicated, for every kind of national protection available): AE, AG, AL, AM, AO, AT, AU, AZ, BA, BB, BG, BH, BN, BR, BW, BY, BZ, CA, CH, CL, CN, CO, CR, CU, CZ, DE, DJ, DK, DM, DO, DZ, EC, EE, EG, ES, FI, GB, GD, GE, GH, GM, GT, HN, HR, HU, ID, IL, IN, IR, IS, JO, JP, KE, KG, KH, KN, KP, KR, KW, KZ, LA, LC, LK, LR, LS, LU, LY, MA, MD, ME, MG, MK, MN, MW, MX, MY, MZ, NA, NG, NI, NO, NZ, OM, PA, PE, PG, PH, PL, PT, QA, RO, RS, RU, RW, SA, SC, SD, SE, SG, SK, SL, SM, ST, SV, SY, TH, TJ, TM, TN, TR, TT, TZ, UA, UG, US, UZ, VC, VN, ZA, ZM, ZW.

(54) Title: DOOR LOCK MECHANISM

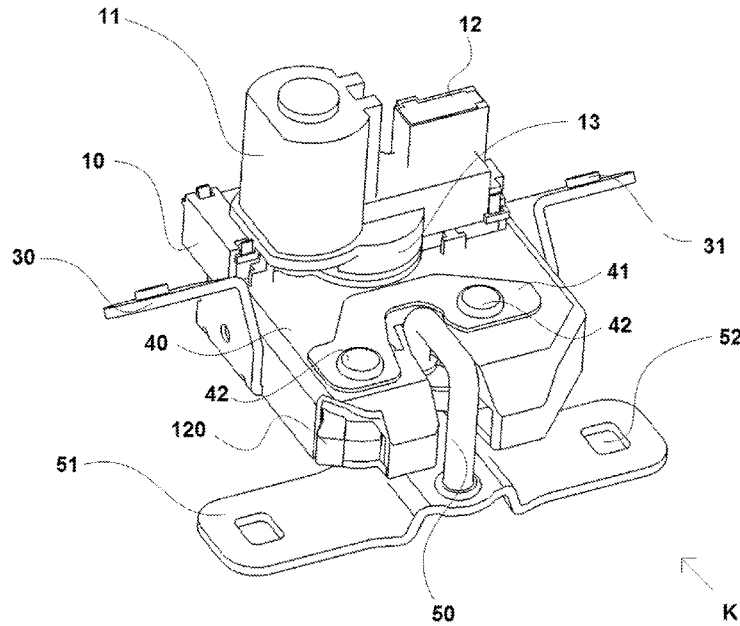


Figure 1

(57) Abstract: The invention is related with a lock mechanism which fulfils the function of opening with mechanical and electrical drive, with the function of mechanical locking the trunk lid, and which acts as a lock for car trunks, characterized in that it includes at least a hook that enables closing the trunk lid and keeping it locked, a lock knob which retains the strike plate of said hook and keeps it in closed position, a release arm connected to the lock knob which enables manual release of the hook by said lock knob, a motor with minimum one motor shaft that realizes mechanical drive, a gear mechanism that transfers the mechanical energy received from said motor to the arm, a release arm connected to the lock knob, which enables manual release of the hook, electric terminals which enable making electric connections with the vehicle control system, at least one key, a lower grouping cover which includes the motor, gear mechanism and key and an upper grouping cover.



(84) Designated States (*unless otherwise indicated, for every kind of regional protection available*): ARIPO (BW, GH, GM, KE, LR, LS, MW, MZ, NA, RW, SD, SL, ST, SZ, TZ, UG, ZM, ZW), Eurasian (AM, AZ, BY, KG, KZ, RU, TJ, TM), European (AL, AT, BE, BG, CH, CY, CZ, DE, DK, EE, ES, FI, FR, GB, GR, HR, HU, IE, IS, IT, LT, LU, LV, MC, MK, MT, NL, NO, PL, PT, RO, RS, SE, SI, SK, SM, TR), OAPI (BF, BJ, CF, CG, CI, CM, GA, GN, GQ, GW, KM, ML, MR, NE, SN, TD, TG).

Published:

- *with international search report (Art. 21(3))*
- *before the expiration of the time limit for amending the claims and to be republished in the event of receipt of amendments (Rule 48.2(h))*
- *in black and white; the international application as filed contained color or greyscale and is available for download from PATENTSCOPE*

(88) Date of publication of the international search report:

07 November 2019 (07.11.2019)

INTERNATIONAL SEARCH REPORT

International application No.

PCT/TR2018/050618

A. CLASSIFICATION OF SUBJECT MATTER E05B 81/00 (2014.01)i; E05B 83/18 (2014.01)i According to International Patent Classification (IPC) or to both national classification and IPC		
B. FIELDS SEARCHED Minimum documentation searched (classification system followed by classification symbols) E05B 81/00; E05B 83/18 Documentation searched other than minimum documentation to the extent that such documents are included in the fields searched Electronic data base consulted during the international search (name of data base and, where practicable, search terms used) EPODOC, WPI		
C. DOCUMENTS CONSIDERED TO BE RELEVANT		
Category*	Citation of document, with indication, where appropriate, of the relevant passages	Relevant to claim No.
X	WO 2015077420 A1 (EASTERN CO [US]) 28 May 2015 (2015-05-28) Paragraph 1,24,25,30,31,33,39,40,47,50,51,55,68,69	1-12
X	EP 0968348 A2 (CHEVALIER JOHN PHILLIP [GB]) 05 January 2000 (2000-01-05) Paragraph 15,34,79,86,91,95	1-12
X	EP 0106725 A1 (VACHETTE SA [FR]) 25 April 1984 (1984-04-25) Page 5, lines 6-35; page 6; page 7, lines 22-31; page 8, lines 18-24	1-12
<input type="checkbox"/> Further documents are listed in the continuation of Box C. <input checked="" type="checkbox"/> See patent family annex.		
<p>* Special categories of cited documents:</p> <p>“A” document defining the general state of the art which is not considered to be of particular relevance</p> <p>“E” earlier application or patent but published on or after the international filing date</p> <p>“L” document which may throw doubts on priority claim(s) or which is cited to establish the publication date of another citation or other special reason (as specified)</p> <p>“O” document referring to an oral disclosure, use, exhibition or other means</p> <p>“P” document published prior to the international filing date but later than the priority date claimed</p> <p>“T” later document published after the international filing date or priority date and not in conflict with the application but cited to understand the principle or theory underlying the invention</p> <p>“X” document of particular relevance; the claimed invention cannot be considered novel or cannot be considered to involve an inventive step when the document is taken alone</p> <p>“Y” document of particular relevance; the claimed invention cannot be considered to involve an inventive step when the document is combined with one or more other such documents, such combination being obvious to a person skilled in the art</p> <p>“&” document member of the same patent family</p>		
Date of the actual completion of the international search 11 October 2019		Date of mailing of the international search report 11 October 2019
Name and mailing address of the ISA/TR Turkish Patent and Trademark Office (Turkpatent) Hipodrom Caddesi No. 115 06560 Yenimahalle Ankara Turkey Telephone No. (90-312) 303 11 82 Facsimile No. +903123031220		Authorized officer MEHMET BURAK KAZEZ Telephone No.

INTERNATIONAL SEARCH REPORT
Information on patent family members

International application No.

PCT/TR2018/050618

Patent document cited in search report			Publication date (day/month/year)	Patent family member(s)			Publication date (day/month/year)
WO	2015077420	A1	28 May 2015	CA	2930611	A1	28 March 2015
				US	2015145265	A1	28 May 2015
EP	0968348	A2	05 January 2000	AU	7739098	A	15 July 1998
				BR	9714542	A	08 February 2000
				CA	2280144	A1	25 June 1998
				DE	69734211	T2	22 June 2006
				EP	1518982	A2	30 March 2005
				ES	2248857	T3	16 March 2006
				ES	2329038	T3	20 November 2009
				GB	2320943	A	08 July 1998
				GB	2322409	A	26 August 1998
				JP	2001509849	A	24 July 2001
				JP	2009007927	A	15 January 2009
				KR	20000071023	A	25 November 2000
				PT	1518982	E	28 September 2009
				RU	2194837	C2	20 December 2002
				US	6386599	B1	14 May 2002
US	2002121784	A1	05 September 2002				
WO	9827301	A2	25 June 1998				
EP	0106725	A1	25 April 1984	AT	20264	T	15 June 1996
				ES	8501478	A1	16 November 1984
				FR	2534303	A1	13 April 1984