



- (51) International Patent Classification:
A61B 10/00 (2006.01) *G01N 33/558* (2006.01)
- (21) International Application Number:
PCT/IB2010/050761
- (22) International Filing Date:
22 February 2010 (22.02.2010)
- (25) Filing Language: English
- (26) Publication Language: English
- (30) Priority Data:
09153950.2 27 February 2009 (27.02.2009) EP
- (71) Applicant (for all designated States except US): **KONINKLIJKE PHILIPS ELECTRONICS N.V.** [NL/NL]; Groenewoudseweg 1, NL-5621 BA Eindhoven (NL).
- (72) Inventors; and
- (75) Inventors/Applicants (for US only): **VAN DER BEEK, Maurice, H., E.** [NL/NL]; c/o High Tech Campus Building 44, NL-5656 AE Eindhoven (NL). **VAN DER MADE, Petrus, L., A.** [NL/NL]; c/o High Tech Campus Building 44, NL-5656 AE Eindhoven (NL). **VERHAGEN, Hendrik, J.** [NL/NL]; c/o High Tech Campus Building 44, NL-5656 AE Eindhoven (NL).
- (74) Agents: **KROEZE, John** et al.; High Tech Campus 44, NL-5600 AE Eindhoven (NL).
- (81) Designated States (unless otherwise indicated, for every kind of national protection available): AE, AG, AL, AM, AO, AT, AU, AZ, BA, BB, BG, BH, BR, BW, BY, BZ, CA, CH, CL, CN, CO, CR, CU, CZ, DE, DK, DM, DO, DZ, EC, EE, EG, ES, FI, GB, GD, GE, GH, GM, GT, HN, HR, HU, ID, IL, IN, IS, JP, KE, KG, KM, KN, KP, KR, KZ, LA, LC, LK, LR, LS, LT, LU, LY, MA, MD, ME, MG, MK, MN, MW, MX, MY, MZ, NA, NG, NI, NO, NZ, OM, PE, PG, PH, PL, PT, RO, RS, RU, SC, SD, SE, SG, SK, SL, SM, ST, SV, SY, TH, TJ, TM, TN, TR, TT, TZ, UA, UG, US, UZ, VC, VN, ZA, ZM, ZW.
- (84) Designated States (unless otherwise indicated, for every kind of regional protection available): ARIPO (BW, GH, GM, KE, LS, MW, MZ, NA, SD, SL, SZ, TZ, UG, ZM, ZW), Eurasian (AM, AZ, BY, KG, KZ, MD, RU, TJ, TM), European (AT, BE, BG, CH, CY, CZ, DE, DK, EE, ES, FI, FR, GB, GR, HR, HU, IE, IS, IT, LT, LU, LV, MC, MK, MT, NL, NO, PL, PT, RO, SE, SI, SK, SM, TR), OAPI (BF, BJ, CF, CG, CI, CM, GA, GN, GQ, GW, ML, MR, NE, SN, TD, TG).

Published:

— with international search report (Art. 21(3))

[Continued on next page]

(54) Title: CONNECTION SYSTEM FOR SENSOR CARTRIDGE

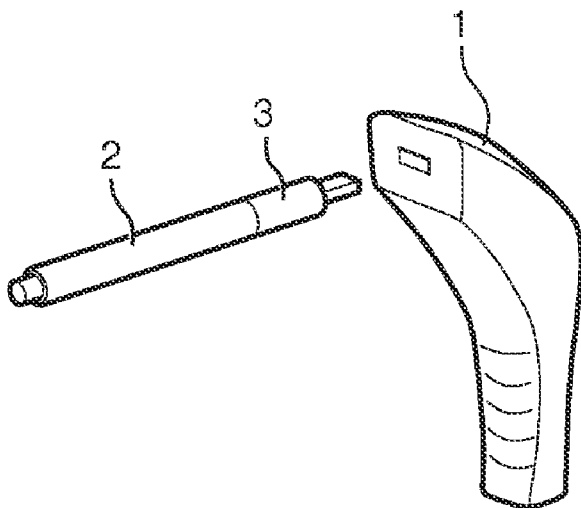


FIG. 1

(57) Abstract: The invention relates to a sensor cartridge for the examination of a liquid or solid sample, particularly a biological fluid like saliva or blood. To this end provided is a connection system (1, 2, 3) for the connection of a cartridge (3) to a cartridge reader (1), comprising a sample collection device (2) for picking up a sample releasably connected to the cartridge (3) via a first locking device (5) before taking the sample whereby the cartridge (3) is releasably connected to the reader (1) via a second locking device (6).





— *before the expiration of the time limit for amending the claims and to be republished in the event of receipt of amendments (Rule 48.2(h))*

(88) Date of publication of the international search report:
2 December 2010

INTERNATIONAL SEARCH REPORT

International application No
PCT/IB2010/050761

A. CLASSIFICATION OF SUBJECT MATTER
 INV. A61B10/00 G01N33/558
 ADD.

According to International Patent Classification (IPC) or to both national classification and IPC

B. FIELDS SEARCHED
 Minimum documentation searched (classification system followed by classification symbols)
 A61B G01N B01L

Documentation searched other than minimum documentation to the extent that such documents are included in the fields searched

Electronic data base consulted during the international search (name of data base and, where practical, search terms used)
 EPO-Internal

C. DOCUMENTS CONSIDERED TO BE RELEVANT

Category*	Citation of document, with indication, where appropriate, of the relevant passages	Relevant to claim No.
X	US 2007/128070 A1 (WU YUZHANG [CN] ET AL) 7 June 2007 (2007-06-07) paragraphs [0034], [0035], [0039]; figures 2,8,9	1
X	US 2003/129767 A1 (BAUTISTA LORRAINE [US] ET AL) 10 July 2003 (2003-07-10) paragraphs [0006], [0010], [0058]; figures 2,6	1
A	US 2009/030342 A1 (FLANIGAN PEGGY-JEAN P [US] ET AL) 29 January 2009 (2009-01-29) figures 3,4,5	2
A	US 2004/082878 A1 (BALDWIN DENE [GB] ET AL) 29 April 2004 (2004-04-29) figure 2	1
	----- -/--	

Further documents are listed in the continuation of Box C. See patent family annex.

* Special categories of cited documents :

"A" document defining the general state of the art which is not considered to be of particular relevance	"T" later document published after the international filing date or priority date and not in conflict with the application but cited to understand the principle or theory underlying the invention
"E" earlier document but published on or after the international filing date	"X" document of particular relevance; the claimed invention cannot be considered novel or cannot be considered to involve an inventive step when the document is taken alone
"L" document which may throw doubts on priority claim(s) or which is cited to establish the publication date of another citation or other special reason (as specified)	"Y" document of particular relevance; the claimed invention cannot be considered to involve an inventive step when the document is combined with one or more other such documents, such combination being obvious to a person skilled in the art.
"O" document referring to an oral disclosure, use, exhibition or other means	"&" document member of the same patent family
"P" document published prior to the international filing date but later than the priority date claimed	

Date of the actual completion of the international search 20 August 2010	Date of mailing of the international search report 14/10/2010
--	---

Name and mailing address of the ISA/ European Patent Office, P.B. 5818 Patentlaan 2 NL - 2280 HV Rijswijk Tel. (+31-70) 340-2040, Fax: (+31-70) 340-3016	Authorized officer Visser, Rogier
--	---

INTERNATIONAL SEARCH REPORT

International application No
PCT/IB2010/050761

C(Continuation). DOCUMENTS CONSIDERED TO BE RELEVANT		
Category*	Citation of document, with indication, where appropriate, of the relevant passages	Relevant to claim No.
A	US 2003/064526 A1 (NIEDBALA R SAM [US] ET AL) 3 April 2003 (2003-04-03) figure 2 -----	1
A	US 2008/194041 A1 (GUIRGUIS RAOUF A [US]) 14 August 2008 (2008-08-14) figures 4,10,16 -----	2
A	US 6 423 550 B1 (JENKINS RICHARD [US] ET AL) 23 July 2002 (2002-07-23) figure 8 -----	2
X	EP 1 950 562 A2 (LIFESCAN SCOTLAND LTD [GB]) 30 July 2008 (2008-07-30) column 11, line 46; figure 3 column 12, lines 30,31,47 column 13, line 26 -----	1
A		3
X	US 2004/228767 A1 (ALLEY KENNETH A [US]) 18 November 2004 (2004-11-18) paragraphs [0024], [0030], [0032]; figures 1,3 -----	1
A		3
A	US 6 208 880 B1 (BENTSEN JAMES G [US] ET AL) 27 March 2001 (2001-03-27) column 5, line 41; figures 1,4,28-31 column 6, lines 16,25-32 column 19, line 23 column 37, lines 16,62-64 -----	3
A	WO 2006/059232 A1 (LIFESCAN SCOTLAND LTD [GB]; NEWMAN MICHAEL JOHN [GB]; HENLEY THOMAS PA) 8 June 2006 (2006-06-08) page 19, line 21; figure 38 -----	3
A	US 2003/191415 A1 (MOERMAN PIET [BE] ET AL) 9 October 2003 (2003-10-09) paragraph [0141]; figure 5 -----	3

INTERNATIONAL SEARCH REPORT

International application No.
PCT/IB2010/050761

Box No. II Observations where certain claims were found unsearchable (Continuation of item 2 of first sheet)

This international search report has not been established in respect of certain claims under Article 17(2)(a) for the following reasons:

1. Claims Nos.:
because they relate to subject matter not required to be searched by this Authority, namely:

2. Claims Nos.:
because they relate to parts of the international application that do not comply with the prescribed requirements to such an extent that no meaningful international search can be carried out, specifically:

3. Claims Nos.:
because they are dependent claims and are not drafted in accordance with the second and third sentences of Rule 6.4(a).

Box No. III Observations where unity of invention is lacking (Continuation of item 3 of first sheet)

This International Searching Authority found multiple inventions in this international application, as follows:

see additional sheet

1. As all required additional search fees were timely paid by the applicant, this international search report covers all searchable claims.

2. As all searchable claims could be searched without effort justifying an additional fees, this Authority did not invite payment of additional fees.

3. As only some of the required additional search fees were timely paid by the applicant, this international search report covers only those claims for which fees were paid, specifically claims Nos.:

1-3

4. No required additional search fees were timely paid by the applicant. Consequently, this international search report is restricted to the invention first mentioned in the claims; it is covered by claims Nos.:

Remark on Protest

- The additional search fees were accompanied by the applicant's protest and, where applicable, the payment of a protest fee.
- The additional search fees were accompanied by the applicant's protest but the applicable protest fee was not paid within the time limit specified in the invitation.
- No protest accompanied the payment of additional search fees.

FURTHER INFORMATION CONTINUED FROM PCT/ISA/ 210

This International Searching Authority found multiple (groups of) inventions in this international application, as follows:

1. claims: 1, 2

First locking device being a flap ring rather than an O-ring

2. claim: 3

Another alternative first locking device featuring a cantilever

3. claims: 4, 5, 8, 9

Miscellaneous

4. claims: 6, 7, 10

(Removal while) irreversible connection in relation to a third locking device / clamp 24

INTERNATIONAL SEARCH REPORT

Information on patent family members

International application No

PCT/IB2010/050761

Patent document cited in search report	Publication date	Patent family member(s)	Publication date
US 2007128070	A1	07-06-2007	NONE
US 2003129767	A1	10-07-2003	AT 428924 T 15-05-2009 CN 1509409 A 30-06-2004 CN 101694490 A 14-04-2010 DK 1388006 T3 17-08-2009 EP 1388006 A2 11-02-2004 WO 02095396 A2 28-11-2002 US 2002173047 A1 21-11-2002
US 2009030342	A1	29-01-2009	WO 2009018014 A1 05-02-2009
US 2004082878	A1	29-04-2004	AT 401827 T 15-08-2008 AU 2003234998 A1 04-03-2004 EP 1389445 A2 18-02-2004 ES 2309278 T3 16-12-2008 GB 2391813 A 18-02-2004 HK 1059367 A1 28-07-2006 JP 2004163414 A 10-06-2004
US 2003064526	A1	03-04-2003	AT 371497 T 15-09-2007 AU 2002341786 B2 06-11-2008 CA 2461175 A1 10-04-2003 DE 60222154 T2 12-06-2008 EP 1432515 A1 30-06-2004 JP 4122289 B2 23-07-2008 JP 2005526954 T 08-09-2005 JP 2008151799 A 03-07-2008 WO 03028889 A1 10-04-2003
US 2008194041	A1	14-08-2008	WO 2009102420 A1 20-08-2009
US 6423550	B1	23-07-2002	AR 001479 A1 22-10-1997 AU 5038796 A 10-10-1996 BR 9601201 A 14-07-1998 CA 2172909 A1 01-10-1996 CN 1138448 A 25-12-1996 CZ 9600933 A3 13-11-1996 EP 0734684 A1 02-10-1996 HU 9600819 A2 28-07-1997 JP 8320277 A 03-12-1996 PL 313509 A1 14-10-1996 ZA 9602555 A 29-09-1997
EP 1950562	A2	30-07-2008	NONE
US 2004228767	A1	18-11-2004	NONE
US 6208880	B1	27-03-2001	AU 3725897 A 18-09-1998 DE 69731000 D1 04-11-2004 DE 69731000 T2 06-10-2005 EP 0994669 A1 26-04-2000 JP 3917192 B2 23-05-2007 JP 2001513676 T 04-09-2001 WO 9837802 A1 03-09-1998 US 6009339 A 28-12-1999

INTERNATIONAL SEARCH REPORT

Information on patent family members

International application No PCT/IB2010/050761

Patent document cited in search report		Publication date		Patent family member(s)	Publication date
WO 2006059232	A1	08-06-2006	CN	101065672 A	31-10-2007
			EP	1800138 A2	27-06-2007
			EP	1800139 A1	27-06-2007
			WO	2006035322 A2	06-04-2006
			JP	2008514948 T	08-05-2008
			JP	2008514949 T	08-05-2008

US 2003191415	A1	09-10-2003	NONE		
