



US00D791047S

(12) **United States Design Patent**
Bucher et al.

(10) **Patent No.:** **US D791,047 S**

(45) **Date of Patent:** **** Jul. 4, 2017**

(54) **VEHICLE WHEEL**

(71) Applicant: **Ford Global Technologies, LLC**,
Dearborn, MI (US)

(72) Inventors: **George Bucher**, Dearborn, MI (US);
Dean Carbis, Bloomfield Hills, MI (US);
Jesse R. Diephuis, West Bloomfield, MI (US)

(73) Assignee: **Ford Global Technologies, LLC**,
Dearborn, MI (US)

(**) Term: **15 Years**

(21) Appl. No.: **29/543,663**

(22) Filed: **Oct. 27, 2015**

(51) **LOC (10) Cl.** **12-16**

(52) **U.S. Cl.**
USPC **D12/211**

(58) **Field of Classification Search**
USPC D12/204, 205, 206, 207, 208, 209, 210,
D12/211, 212, 213
CPC B60B 7/00; B60B 7/01; B60B 7/02; B60B
7/04; B60B 7/06; B60B 3/02; B60B 3/04;
B60B 3/06; B60B 3/10; B60B 1/00;
B60B 1/08; B60B 1/10; B60B 1/12
See application file for complete search history.

(56) **References Cited**

U.S. PATENT DOCUMENTS

D419,942 S *	2/2000	Lampkin	D12/209
D491,873 S *	6/2004	Markefka	D12/211
D539,205 S *	3/2007	Hosoi	D12/211
D617,710 S *	6/2010	Ectors	D12/209
D643,356 S	8/2011	Gotschke		
D644,587 S *	9/2011	Gotschke	D12/209
D647,449 S	10/2011	Gotschke		
D667,355 S	9/2012	Gotschke		
D667,767 S	9/2012	Gotschke		
D683,684 S *	6/2013	Campbell	D12/209
D687,756 S *	8/2013	Campbell	D12/209

D688,186 S *	8/2013	McMath	D12/209
D736,138 S *	8/2015	Hale	D12/213
D737,748 S *	9/2015	Henstridge	D12/209
D756,876 S *	5/2016	Rueckheim	D12/209
D761,181 S *	7/2016	Bucher	D12/209
D763,764 S *	8/2016	Dunford	D12/209

OTHER PUBLICATIONS

<http://www.focusst.org/forum/focus-st-wheels-tires/28621-all-one-winter-snow-tire-thread-all-questions-about-winter-wheel-stires-63.html>—Published Nov. 7, 2014.*
Bob Nagy <http://www.kbb.com/car-news/all-the-latest/2017-Ford-escape-spid/2000012056> 2017 Ford Escape spied, dated May 15, 2015.
Mark McNabb <http://www.topspeed.com/trucks/truck-reviews/Ford/2017-Ford-escape-ar169435.html> 2017 Ford Escape dated May 18, 2015.
Alexander Stoklosa <http://www.caranddriver/news/2017-Ford-escape-spy-photos-news> 2017 Ford Escape Spy Photos dated May 2015.
Unknown <http://www.autoblog.com/2015/06/25/2017/Ford-escape-spy-shots> New Ford Escape spied inside and out dated Jun. 25, 2015.

* cited by examiner

Primary Examiner — Manpreet Matharu
Assistant Examiner — Mojtaba Tehrani
(74) *Attorney, Agent, or Firm* — LeClairRyan

(57) **CLAIM**

The ornamental design for a vehicle wheel, as shown and described.

DESCRIPTION

FIG. 1 is a top perspective view of a vehicle wheel showing our new design; and,
FIG. 2 is a front elevational view thereof.
The broken lines and the area enclosed by them in the figure drawings represent unclaimed environment only and form no part of the claimed design.

1 Claim, 2 Drawing Sheets

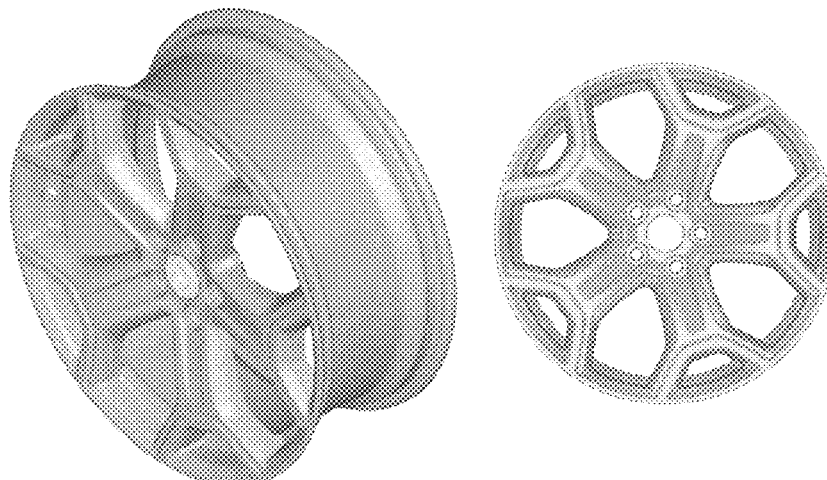




Figure 1

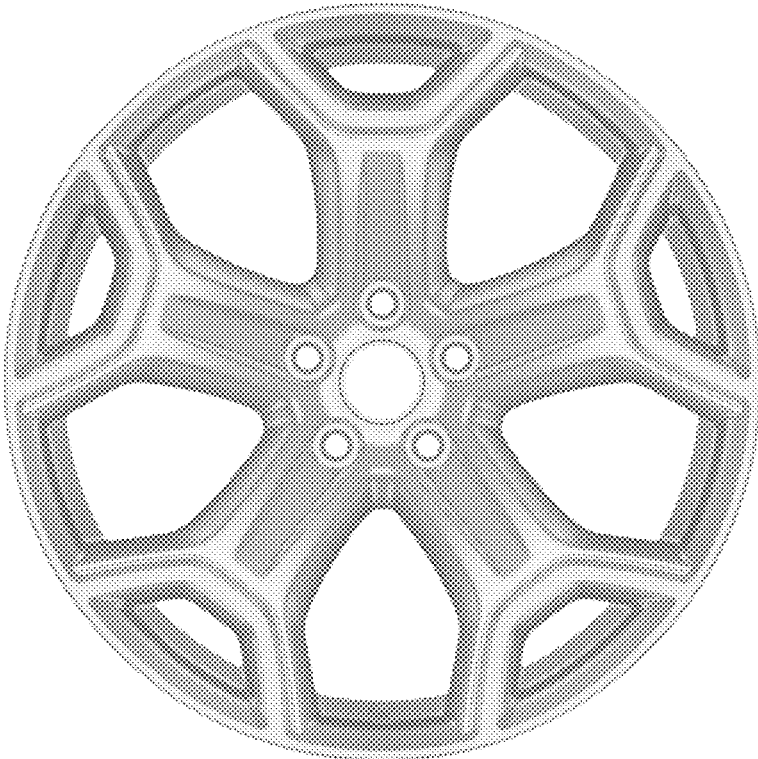


Figure 2