



US00D498017S1

(12) **United States Design Patent**
Elliott

(10) **Patent No.:** **US D498,017 S**

(45) **Date of Patent:** **** Nov. 2, 2004**

(54) **DIDGERIDOO LIGHT FIXTURE**

D169,020 S * 3/1953 Wentzell D26/94

(76) Inventor: **Stephen R. Elliott**, 660 Georgia Ave.,
Suite 100, Chattanooga, TN (US) 37402

(**) Term: **14 Years**

(21) Appl. No.: **29/194,726**

(22) Filed: **Dec. 1, 2003**

(51) **LOC (7) Cl.** **26-03**

(52) **U.S. Cl.** **D26/88; D26/73**

(58) **Field of Search** D26/72-92, 94,
D26/118, 125; 362/147, 404-408

(56) **References Cited**

U.S. PATENT DOCUMENTS

- D21,818 S * 8/1892 Koehn D26/73
- D27,706 S * 9/1897 Beesley D26/73
- D51,161 S * 8/1917 Whaley D26/125
- D77,385 S * 1/1929 Apelt D26/125
- D90,143 S * 6/1933 Toews D26/94

OTHER PUBLICATIONS

“Didgeridoo Wind Chime” from <http://www.giftlog.com>.
Jul. 11, 2004.*

* cited by examiner

Primary Examiner—Clare E Heflin

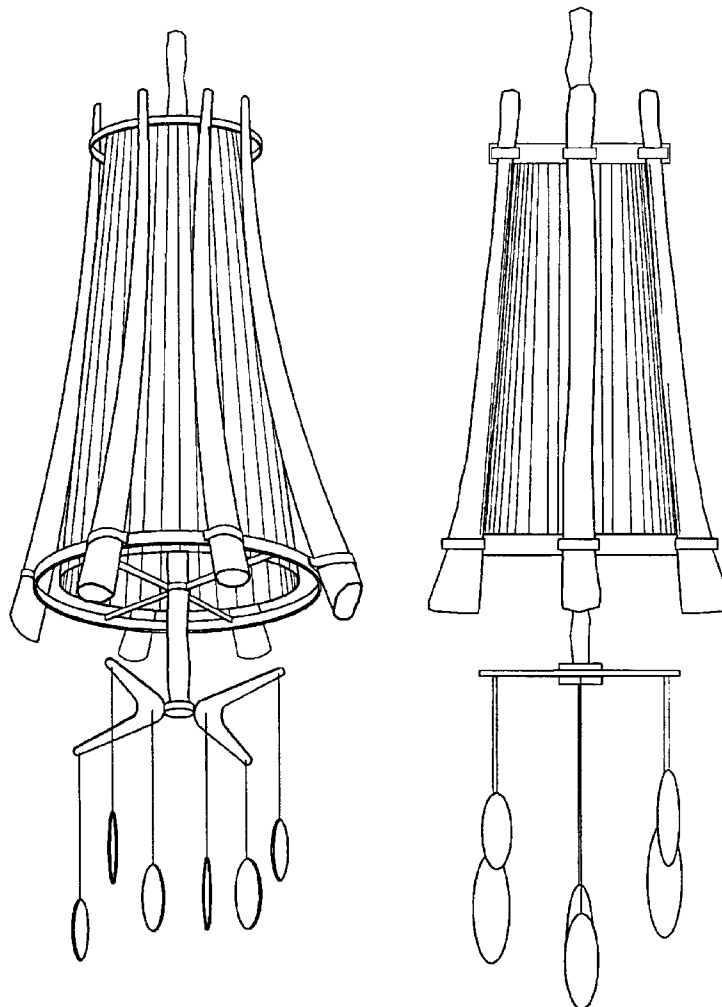
(57) **CLAIM**

I claim the ornamental design for a didgeridoo light fixture,
as shown.

DESCRIPTION

FIG. 1 is a perspective view of a didgeridoo light fixture
showing my new design;
FIG. 2 is a front view thereof;
FIG. 3 is a side view thereof;
FIG. 4 is a top view thereof; and,
FIG. 5 is a bottom view thereof.

1 Claim, 4 Drawing Sheets



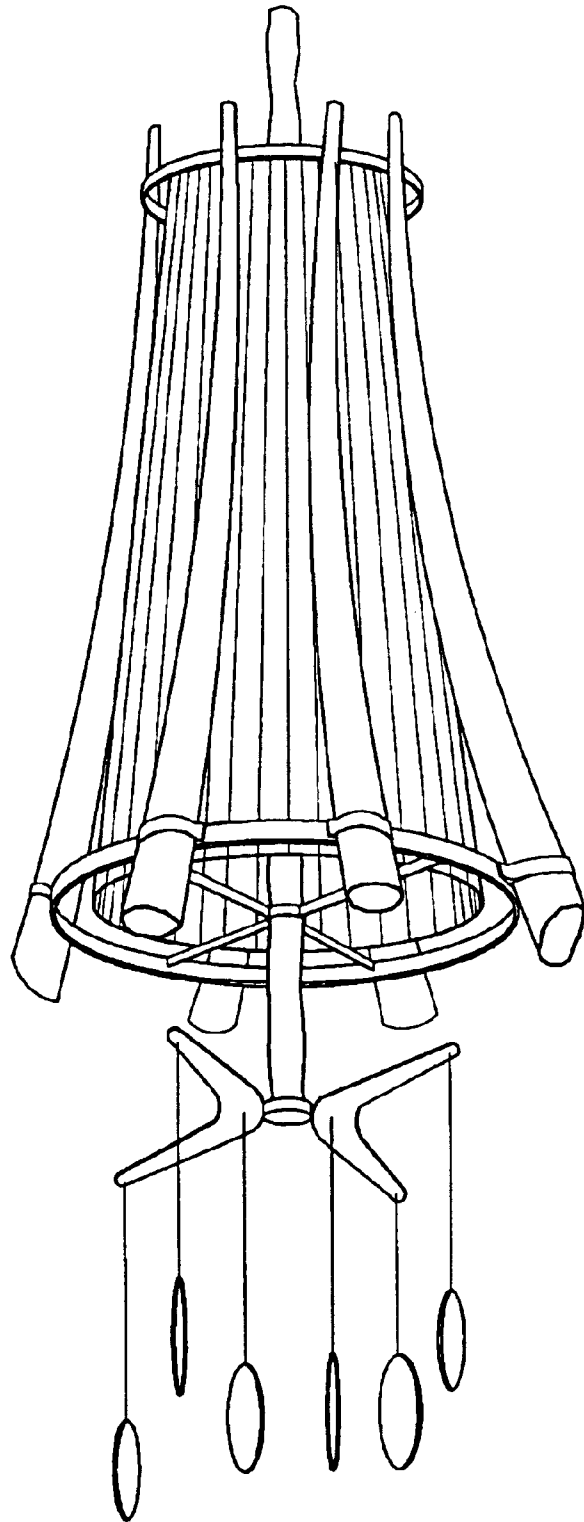


FIG. 1

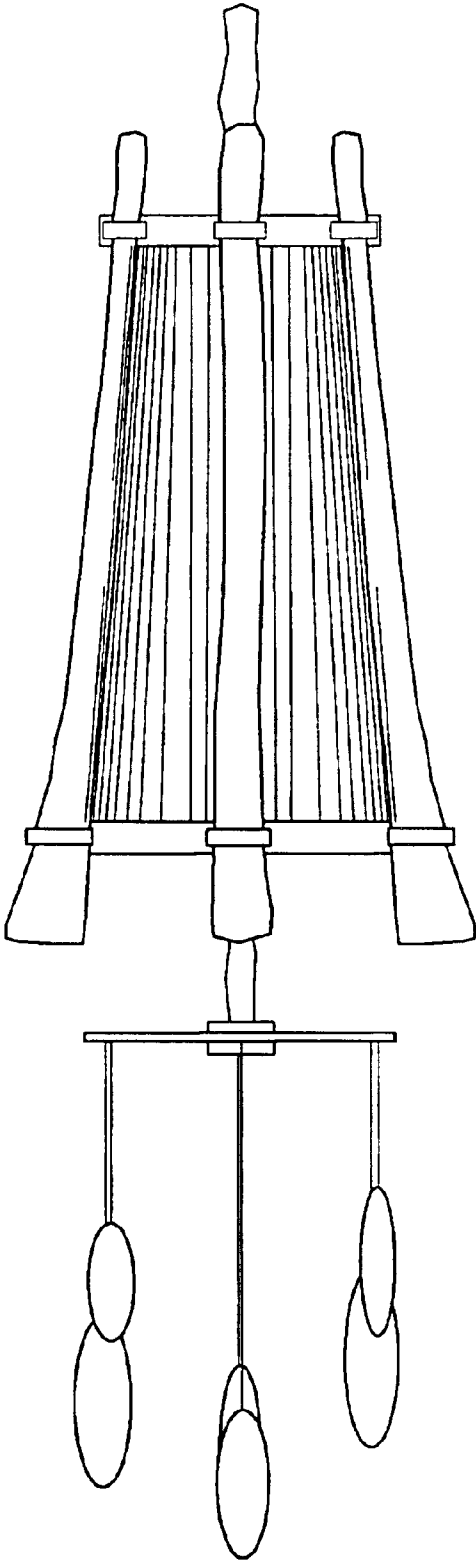


FIG. 2

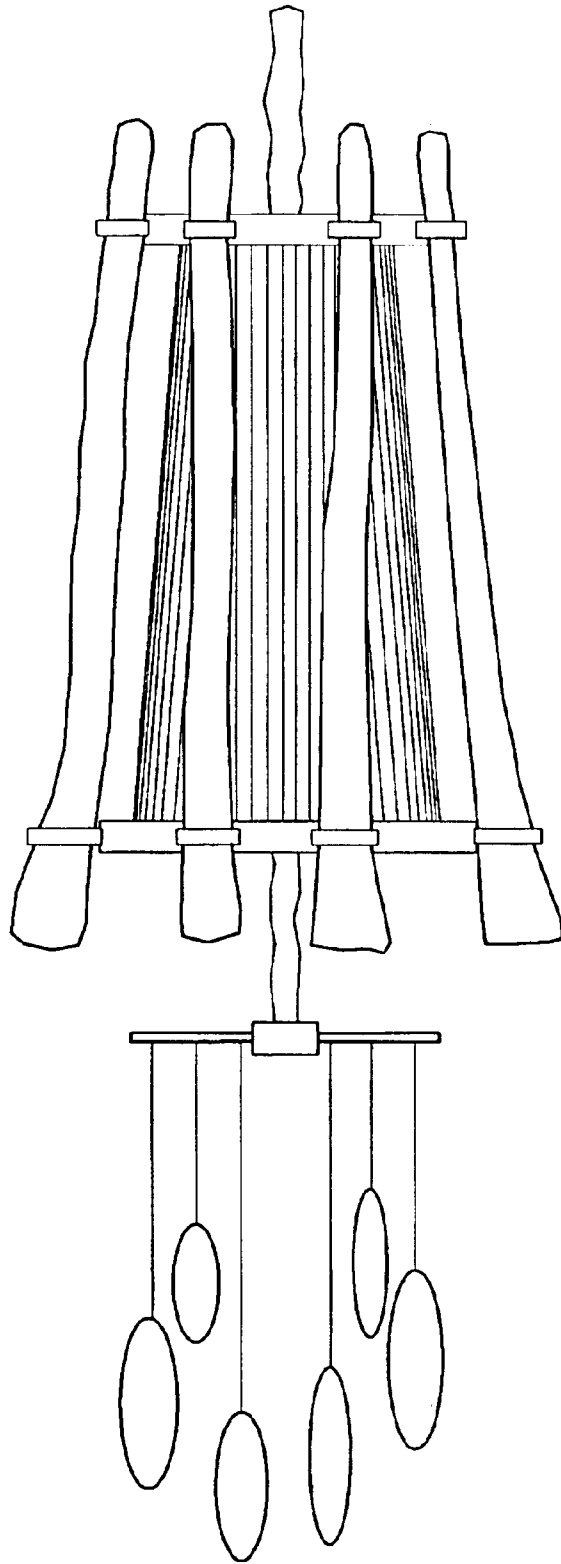


FIG. 3

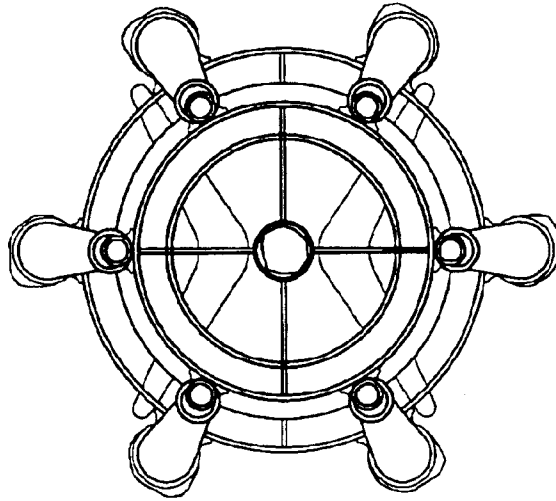


FIG. 4

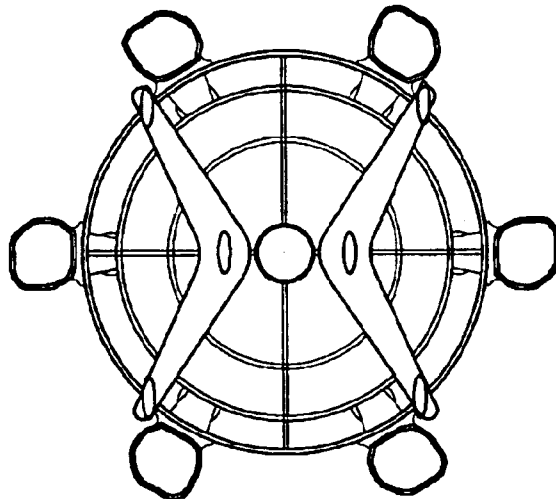


FIG. 5