



US00D511190S

(12) **United States Design Patent**  
**Panatta**

(10) **Patent No.:** **US D511,190 S**

(45) **Date of Patent:** **\*\* Nov. 1, 2005**

(54) **BODY-BUILDING MACHINE**

(76) **Inventor:** **Rodolfo Panatta**, Via Madonna della Fonte, 2, 62021-Apiro (MC) (IT)

(\*\*) **Term:** **14 Years**

(21) **Appl. No.:** **29/198,085**

(22) **Filed:** **Jan. 23, 2004**

(51) **LOC (8) Cl.** ..... **21-02**

(52) **U.S. Cl.** ..... **D21/676; D21/675**

(58) **Field of Search** ..... **D21/662, 673, D21/674, 675, 676; 482/93, 94, 95, 97, 98, 99, 100, 101, 133, 134, 135, 137, 138**

(56) **References Cited**

**U.S. PATENT DOCUMENTS**

5,580,341	A	*	12/1996	Simonson	.....	482/100
5,749,813	A	*	5/1998	Domzalski	.....	482/97
6,071,216	A	*	6/2000	Giannelli et al.	.....	482/100
6,132,347	A	*	10/2000	Alessandri	.....	482/134
6,152,864	A	*	11/2000	Giannelli et al.	.....	482/100
D440,611	S	*	4/2001	Batca et al.	.....	D21/676
6,302,833	B1	*	10/2001	Ellis et al.	.....	482/100

**OTHER PUBLICATIONS**

Gopher Catalog, Fall 2003, pp. 230 and 240, Power Source Selectorized Machines.\*

BSN catalog, Fall 2002, p. 22, Champion Barbell chest and shoulder presses.\*

\* cited by examiner

*Primary Examiner*—Philip S. Hyder

(74) *Attorney, Agent, or Firm*—Armstrong, Kratz, Quintos, Hanson & Brooks, LLP

(57) **CLAIM**

I claim the ornamental design for a body-building machine, as shown and described.

**DESCRIPTION**

FIG. 1 is a front elevational view thereof.

FIG. 2 is a right side elevational view thereof.

FIG. 3 is a left side elevational view thereof.

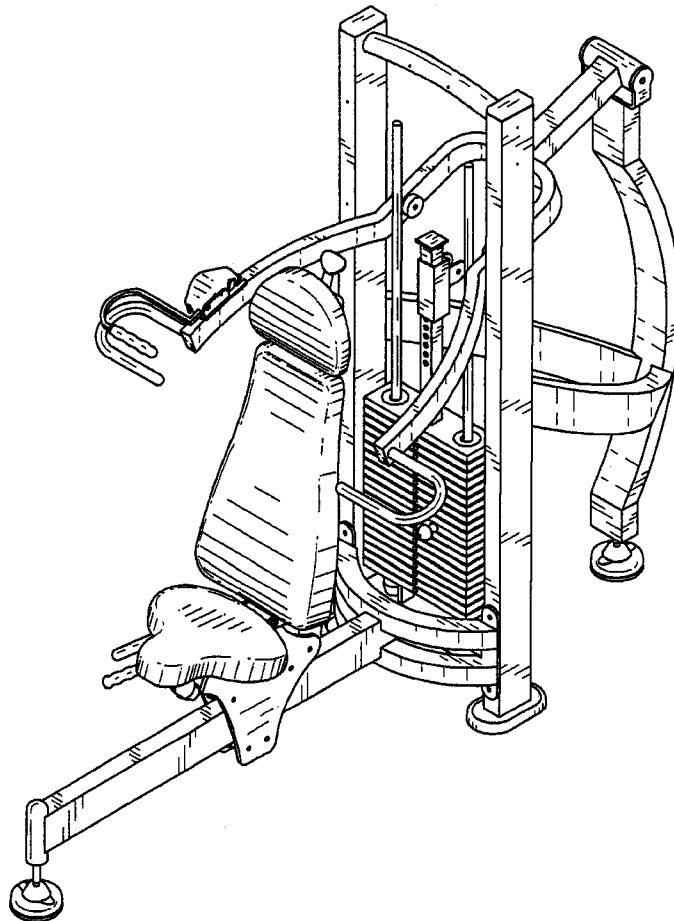
FIG. 4 is a top plan elevational view thereof.

FIG. 5 is a bottom plan elevational view thereof.

FIG. 6 is a rear elevational view thereof; and,

FIG. 7 is a right perspective view of a body-building machine.

**1 Claim, 7 Drawing Sheets**



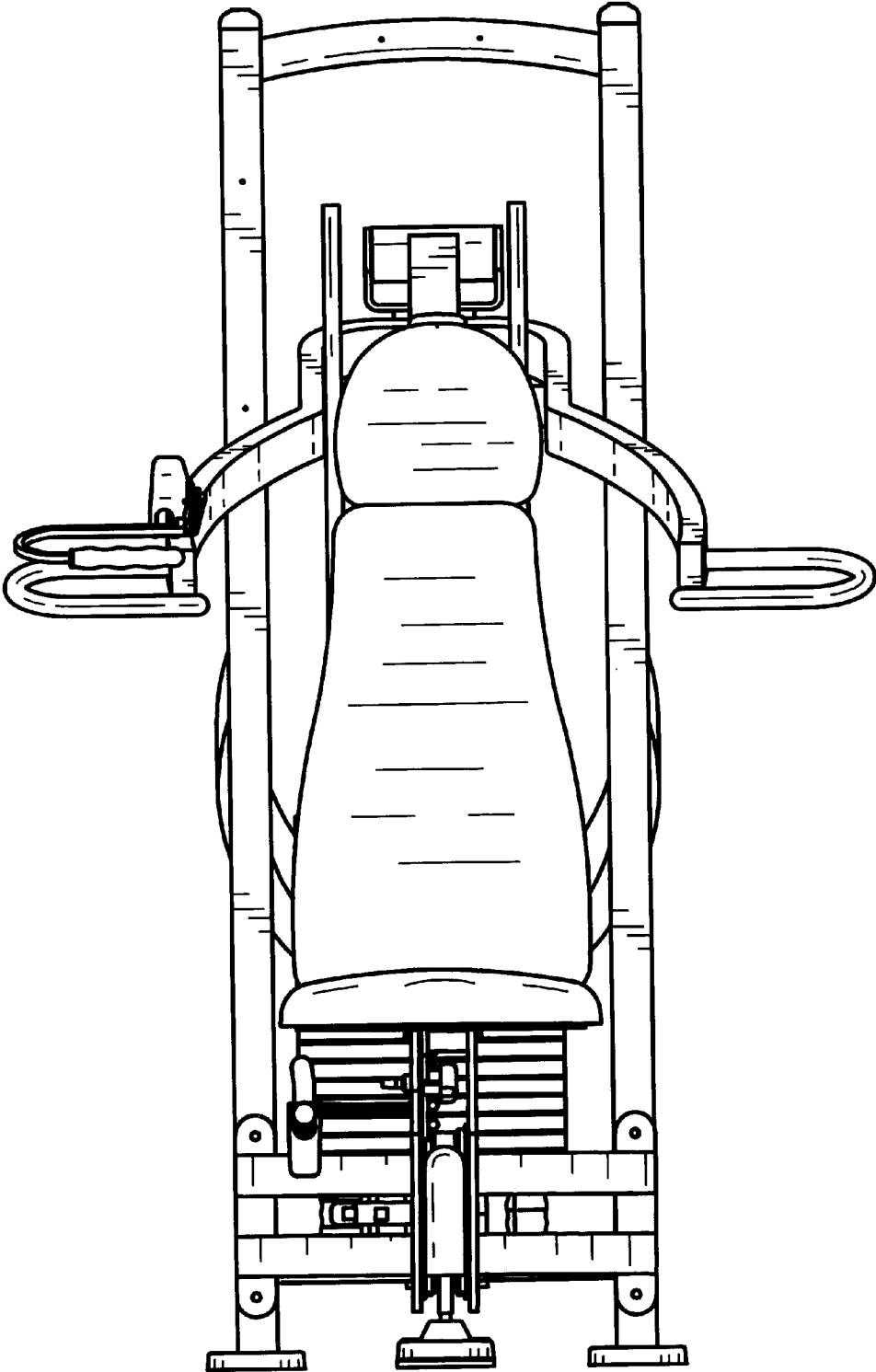


FIG. 1

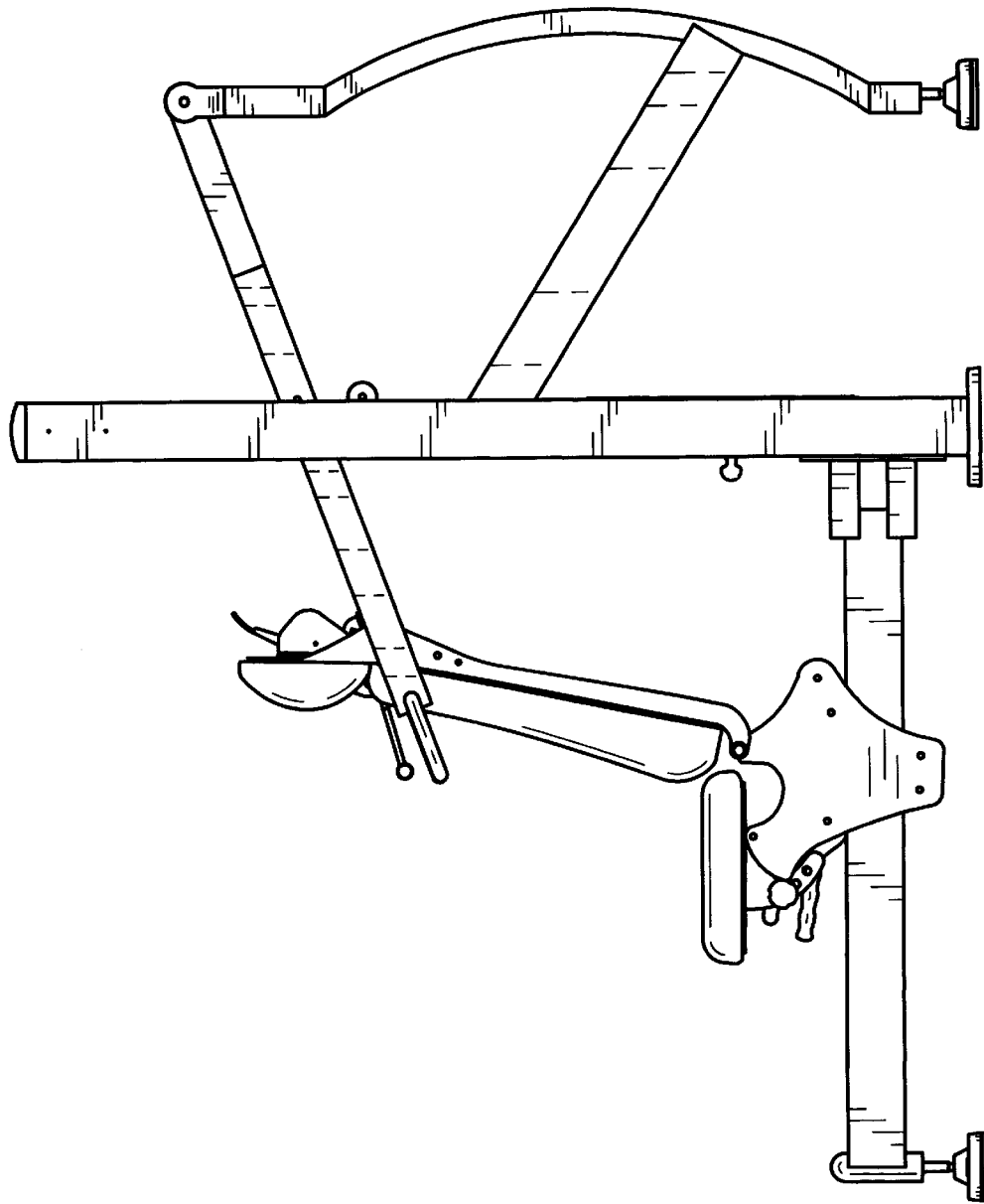


FIG. 2

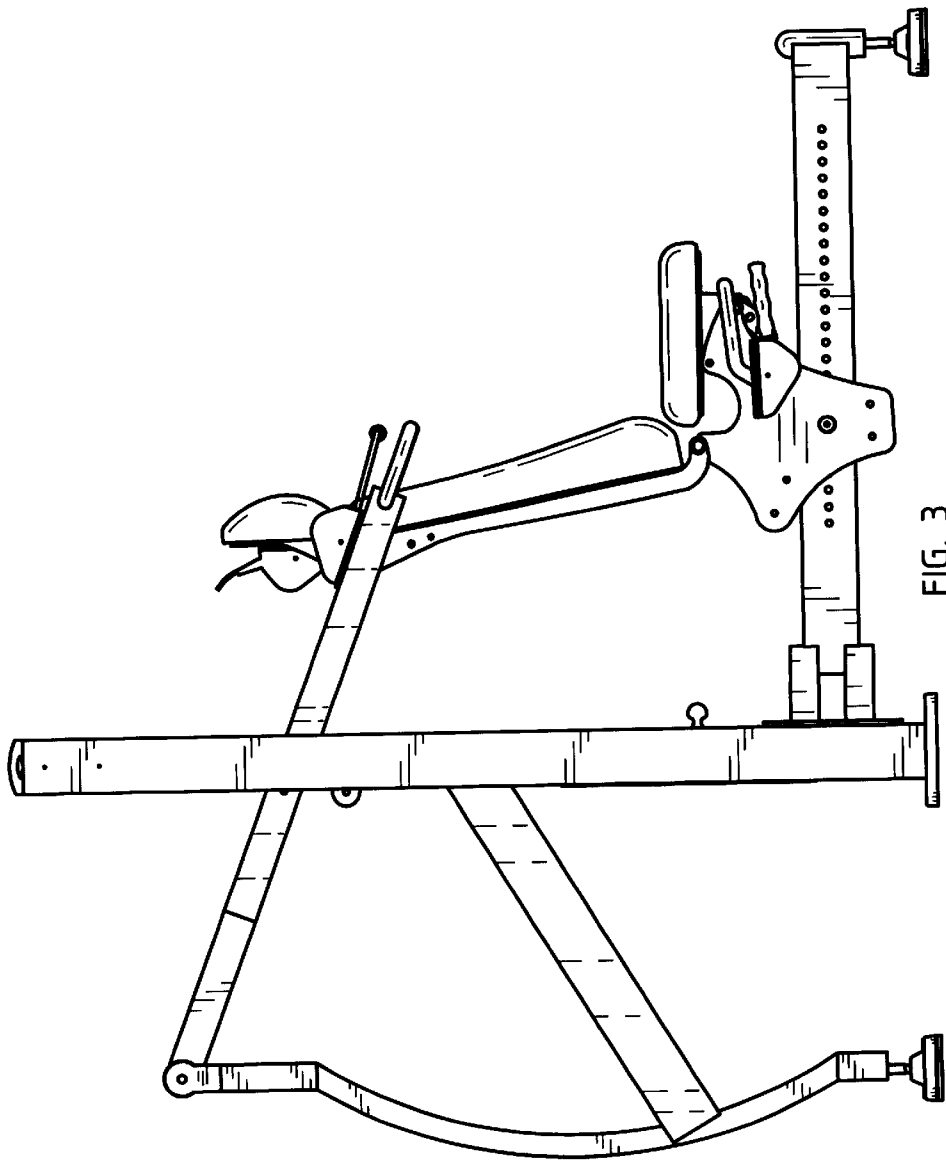


FIG. 3

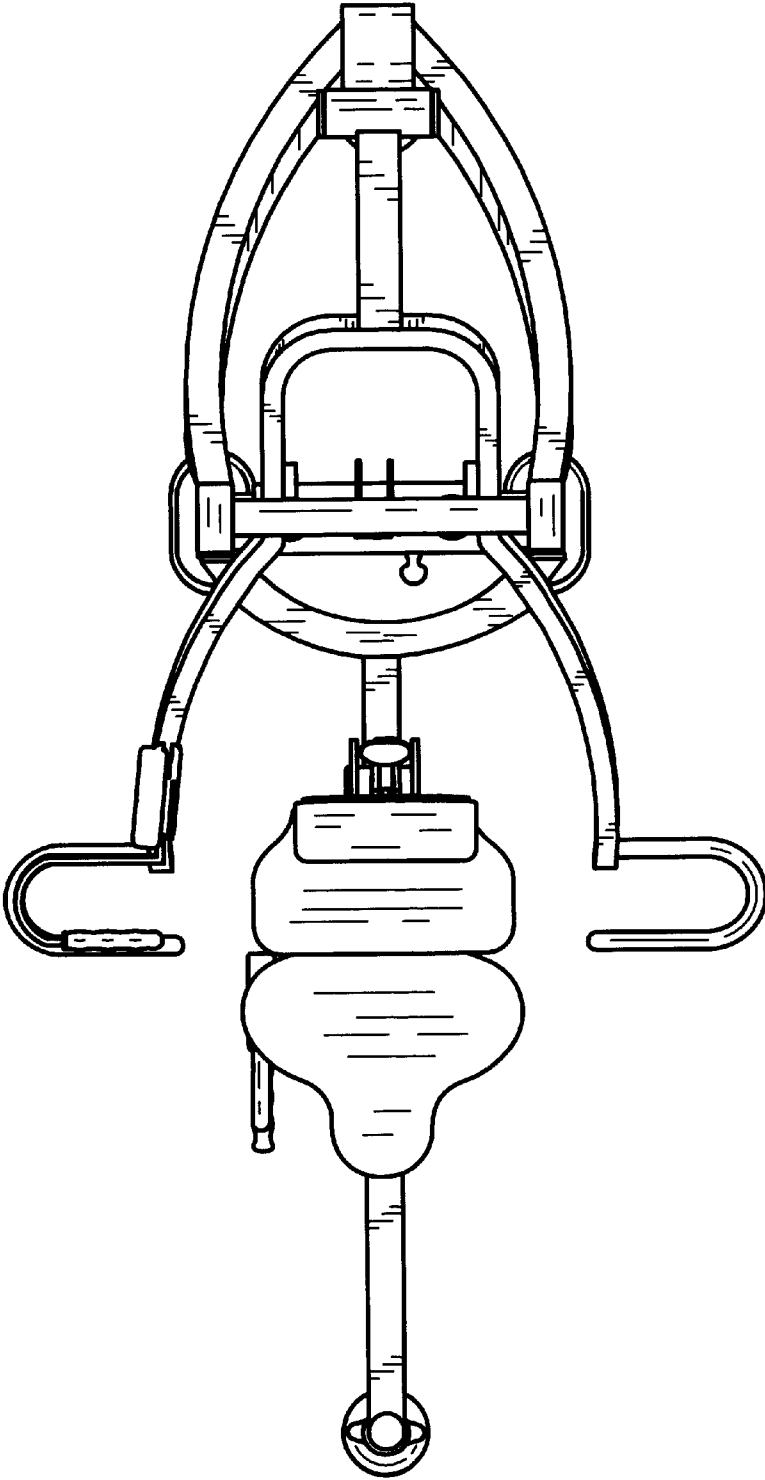


FIG. 4

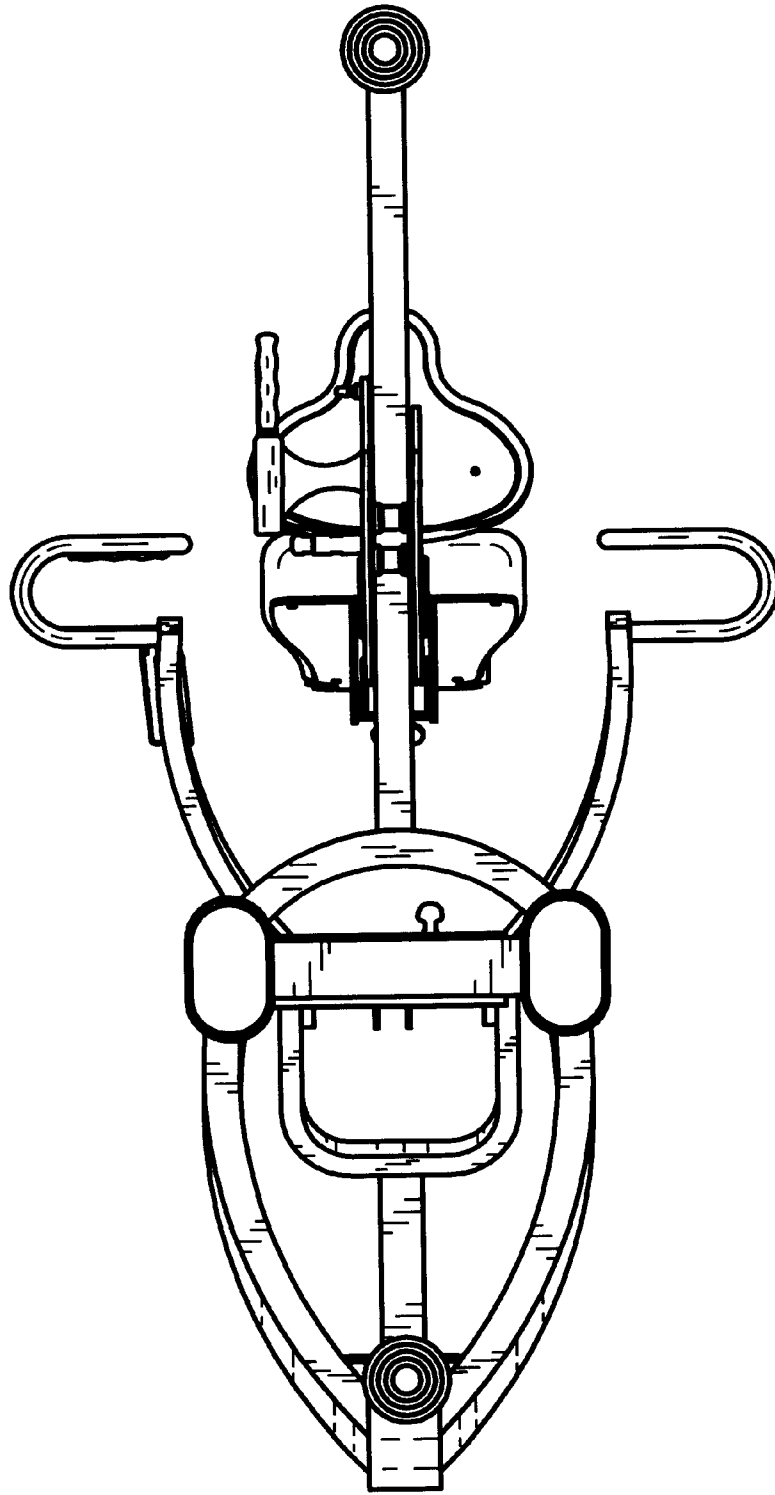


FIG. 5

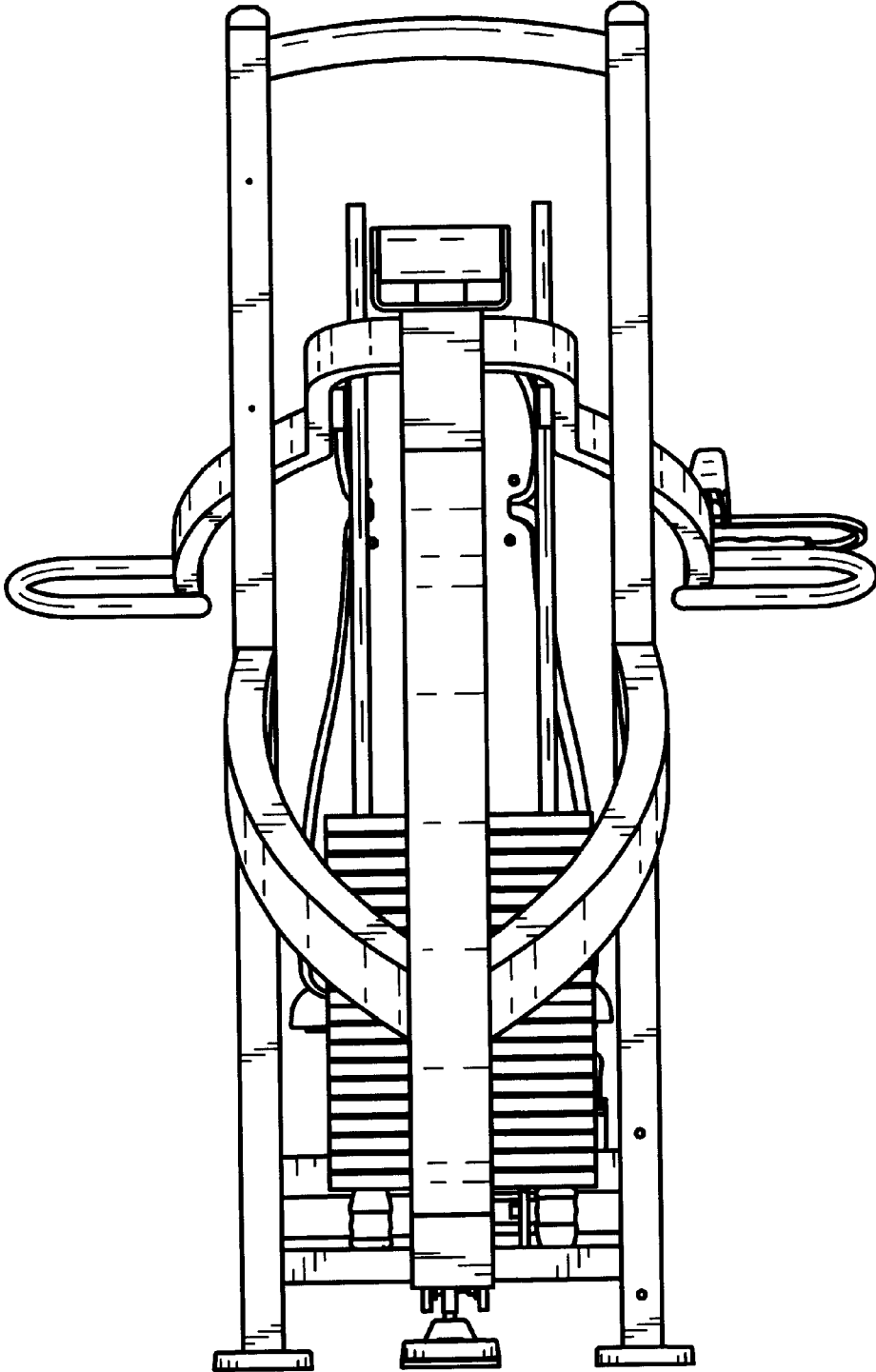


FIG. 6

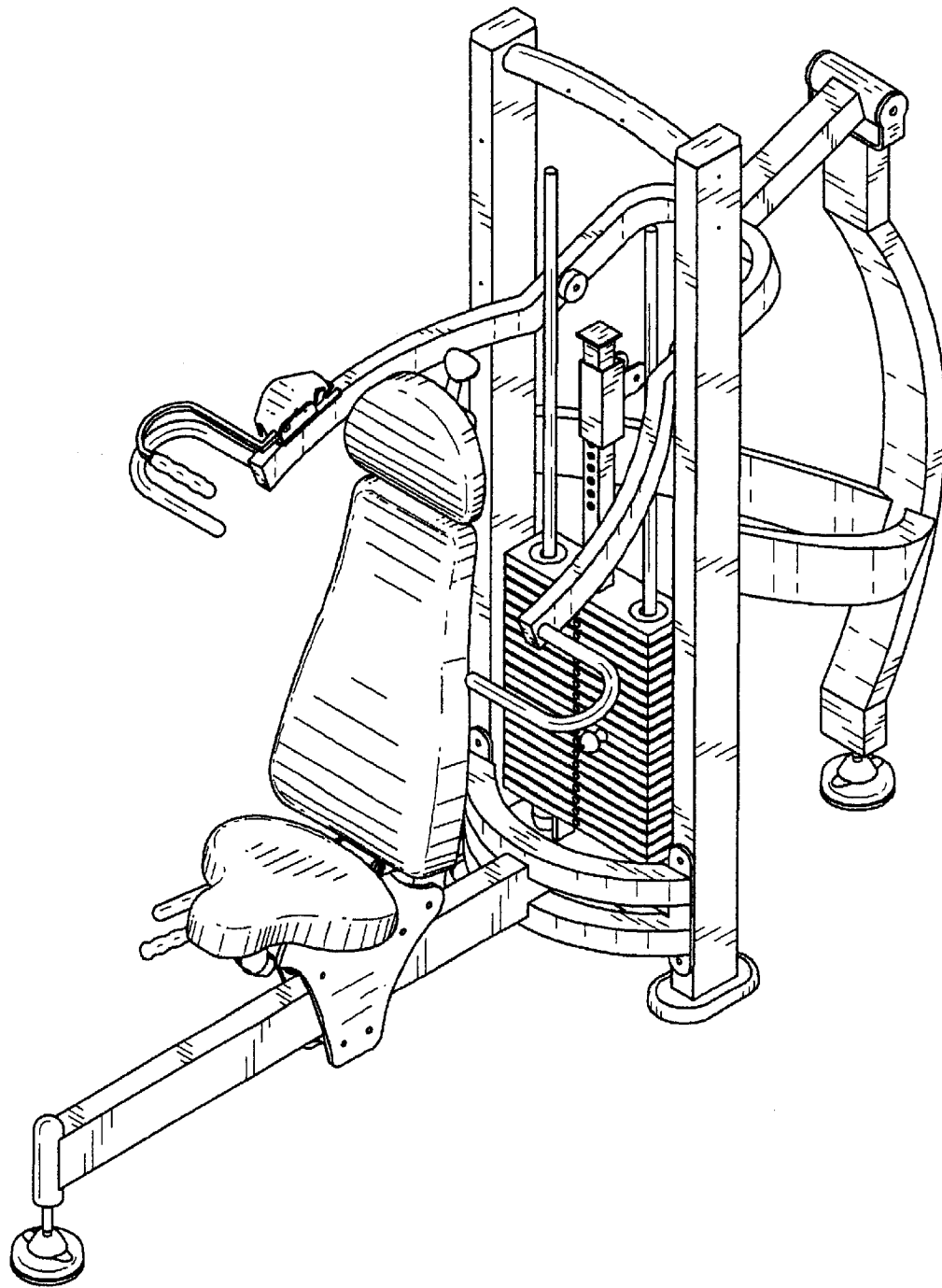


FIG. 7