

FIG. 1

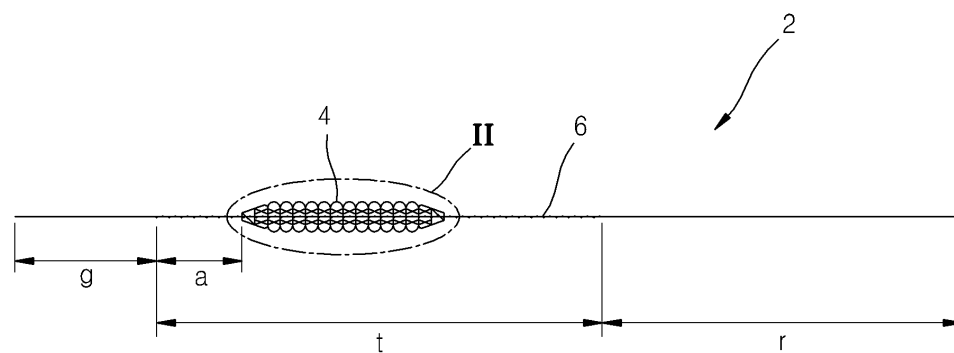
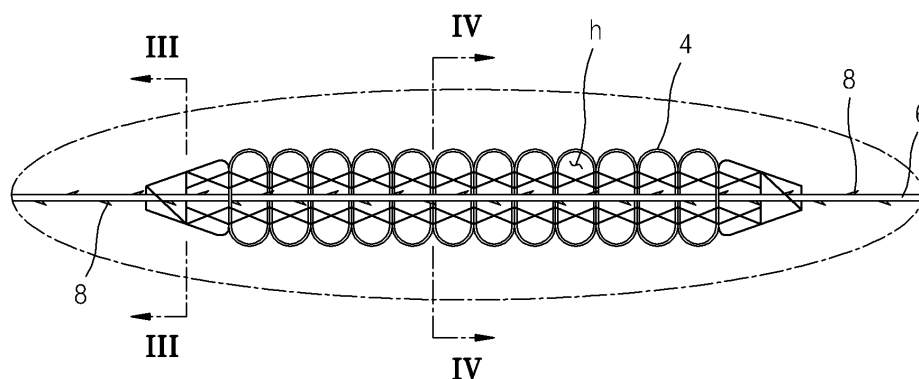


FIG. 2



Sanchita

Dr. SANCHITA GANGULI
of S. MAJUMDAR & CO.
(Applicant's Agent)

FIG. 3

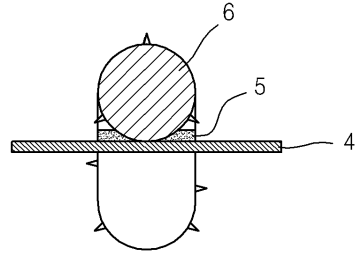


FIG. 4

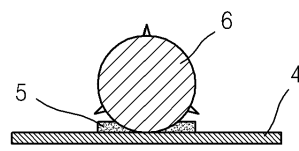
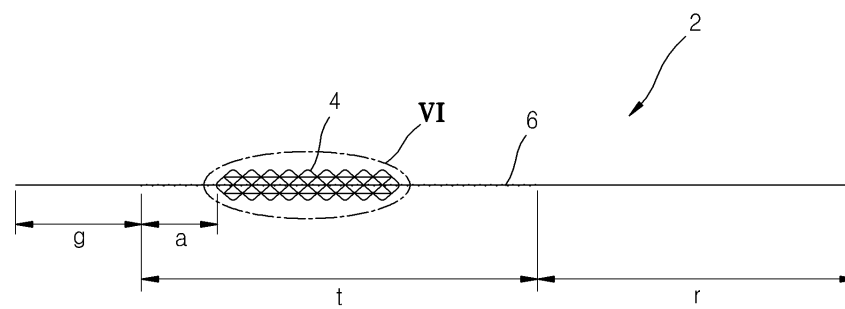


FIG. 5



Sanchita

Dr. SANCHITA GANGULI
of S. MAJUMDAR & CO.
(Applicant's Agent)

FIG. 6

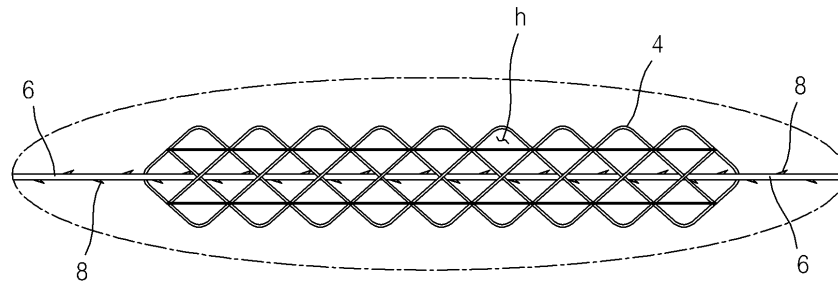
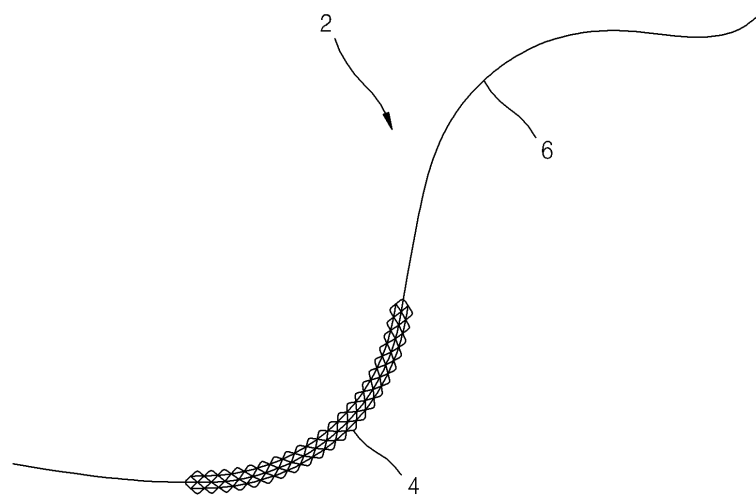


FIG. 7



Sanchita

Dr. SANCHITA GANGULI
of S. MAJUMDAR & CO.
(Applicant's Agent)

FIG. 8

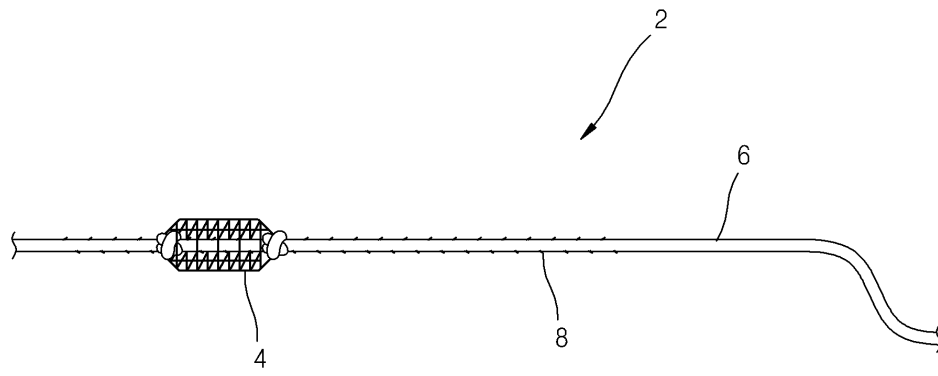
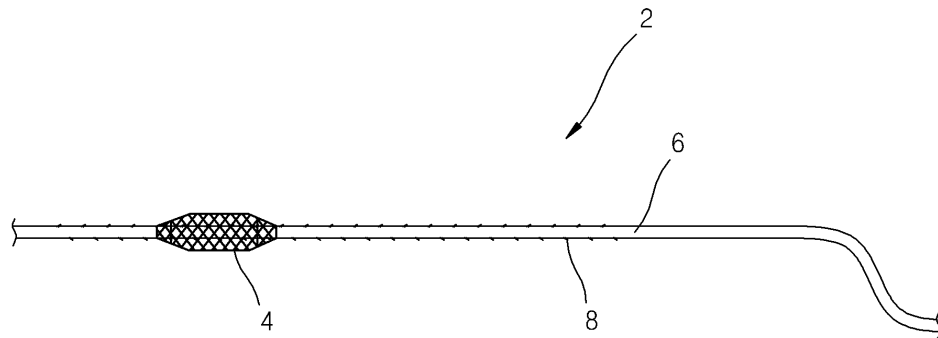


FIG. 9



Sanchita

Dr. SANCHITA GANGULI
of S. MAJUMDAR & CO.
(Applicant's Agent)

FIG. 10

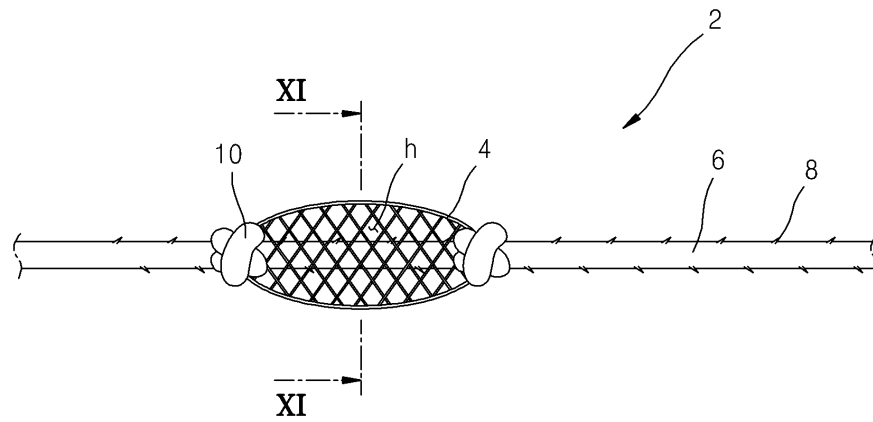
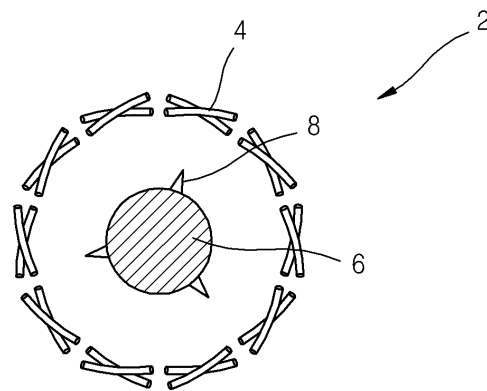


FIG. 11



Sanchita

Dr. SANCHITA GANGULI
of S. MAJUMDAR & CO.
(Applicant's Agent)

FIG. 12

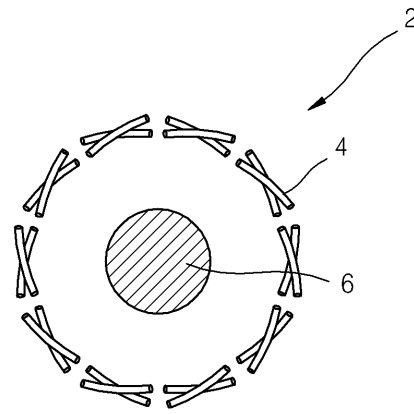
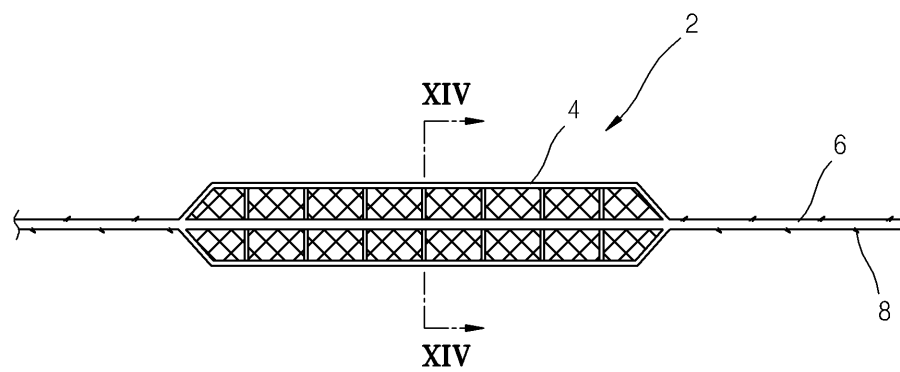


FIG. 13



Sanchita

Dr. SANCHITA GANGULI
of S. MAJUMDAR & CO.
(Applicant's Agent)

FIG. 14

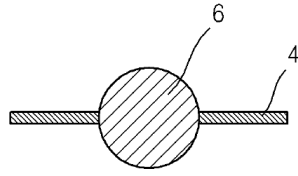
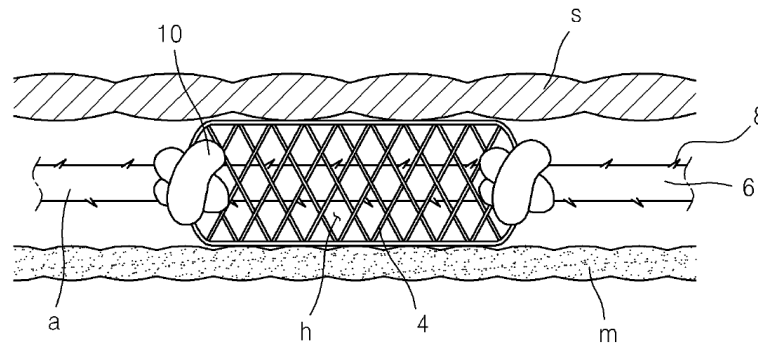


FIG. 15



Sanchita

Dr. SANCHITA GANGULI
of S. MAJUMDAR & CO.
(Applicant's Agent)

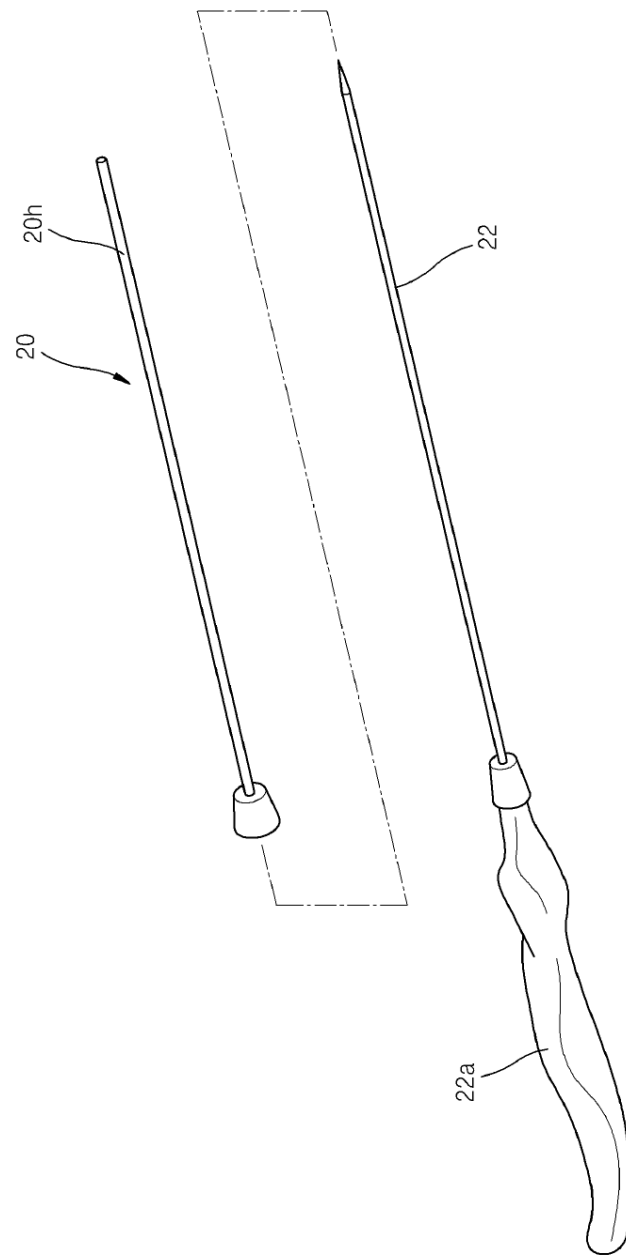


FIG. 16

Sanchita

Dr. SANCHITA GANGULI
of S. MAJUMDAR & CO.
(Applicant's Agent)

FIG. 17

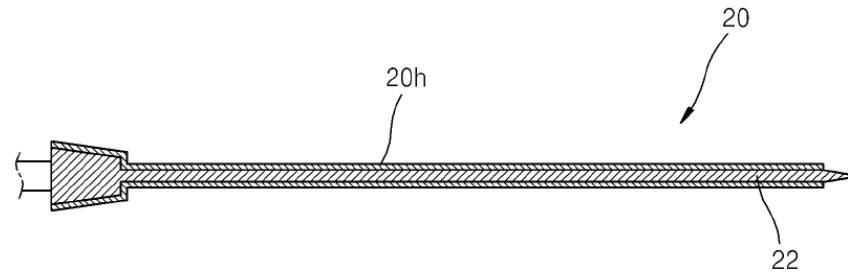
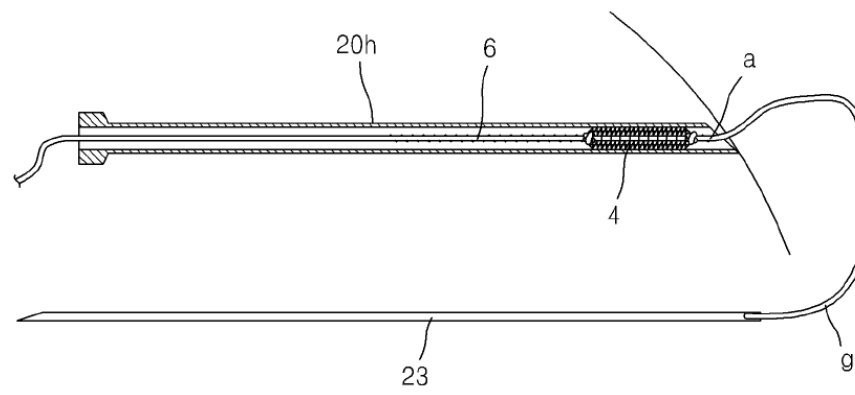


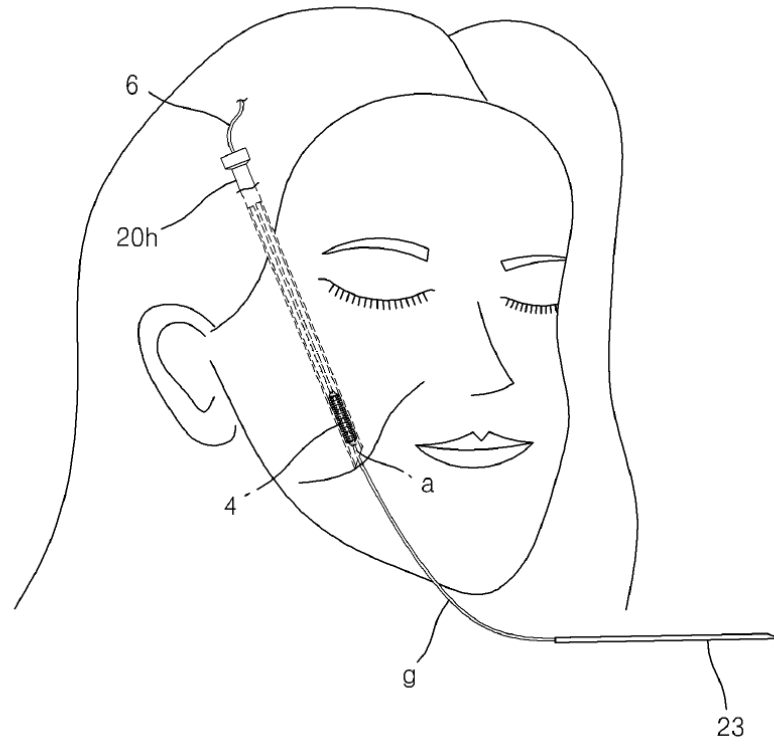
FIG. 18



Sanchita

Dr. SANCHITA GANGULI
of S. MAJUMDAR & CO.
(Applicant's Agent)

FIG. 19



Sanchita

Dr. SANCHITA GANGULI
of S. MAJUMDAR & CO.
(Applicant's Agent)

FIG. 20

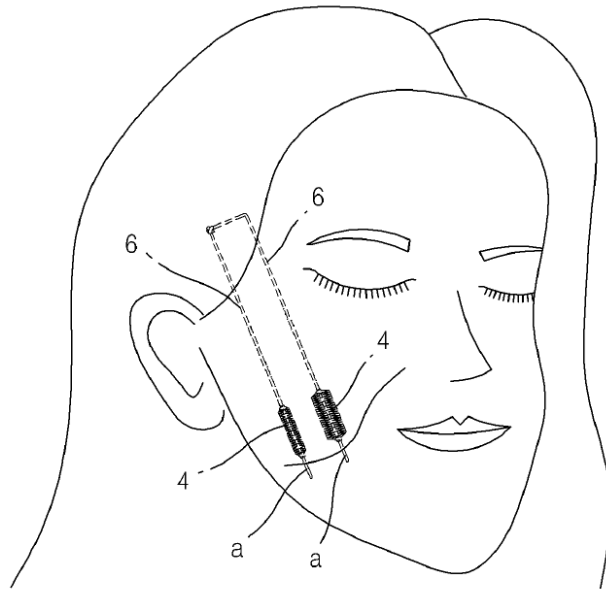
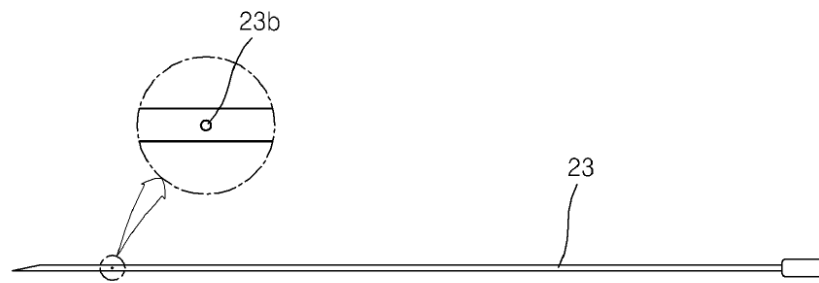


FIG. 21



Sanchita

Dr. SANCHITA GANGULI
of S. MAJUMDAR & CO.
(Applicant's Agent)