



US00D744971S

(12) **United States Design Patent**
Kamp et al.

(10) **Patent No.:** **US D744,971 S**

(45) **Date of Patent:** **** Dec. 8, 2015**

(54) **MOBILE INFORMATION AND ENTERTAINMENT UNIT**

(71) Applicant: **Eufina AG**, Zug (CH)

(72) Inventors: **Hermann Kamp**, Neuss (DE); **Frank Remih**, Zug (CH)

(73) Assignee: **Eufina AG**, Zug (CH)

(**) Term: **14 Years**

(21) Appl. No.: **29/500,374**

(22) Filed: **Aug. 25, 2014**

(30) **Foreign Application Priority Data**

Feb. 25, 2014 (EP) 0024114470001
Feb. 25, 2014 (EP) 0024114470002
Feb. 25, 2014 (EP) 0024114470003
Feb. 25, 2014 (EP) 0024114470004

(51) **LOC (10) Cl.** **14-03**

(52) **U.S. Cl.**
USPC **D14/129**

(58) **Field of Classification Search**

USPC D14/125-134, 239, 371, 136, 374-377,
D14/440, 450, 448, 336, 342, 159; 312/7.2;
348/836, 838, 180, 184, 325, 739;
248/917-924, 465; 345/104, 133, 156,
345/168, 87, 173; D21/329, 515, 577, 622,
D21/333, 433, 448, 452, 450, 331, 505;
D10/15, 26; 446/484, 175, 356;
D6/477, 479, 300
CPC ... G06F 1/1601; G06F 1/1643; H05K 5/0004;
H05K 5/0017; H05K 5/02; H05K 5/0217
See application file for complete search history.

(56) **References Cited**

U.S. PATENT DOCUMENTS

3,942,751 A 3/1976 Fay
4,433,881 A 2/1984 Witten et al.

5,179,447 A 1/1993 Lain
5,184,601 A 2/1993 Putman
D338,272 S 8/1993 Cunagin et al.
5,528,453 A 6/1996 Berman et al.
5,618,090 A 4/1997 Montague et al.
5,697,686 A 12/1997 Miller et al.
D389,917 S 1/1998 Hornback et al.
D406,894 S 3/1999 Menhennett et al.
D412,748 S 8/1999 Nabarro
D416,251 S 11/1999 Rosen
D430,867 S * 9/2000 Smith et al. D14/308
D457,445 S 5/2002 Schoenfish
D467,001 S 12/2002 Buczek et al.
D471,189 S 3/2003 Bradley et al.
D486,915 S * 2/2004 Warschewske et al. D24/185
7,065,319 B1 6/2006 Hartley
D552,568 S 10/2007 Harper et al.
D552,740 S 10/2007 Park
7,338,054 B2 3/2008 Pint
D568,481 S 5/2008 Martinson
7,401,796 B1 7/2008 Greco
7,665,709 B2 2/2010 Cvek

(Continued)

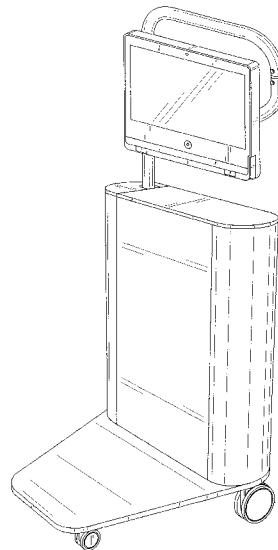
Primary Examiner — Raphael Barkai
(74) *Attorney, Agent, or Firm* — Panitch Schwarze Belisario & Nadel LLP

(57) **CLAIM**
The ornamental design for a mobile information and entertainment unit, as shown and described.

DESCRIPTION

FIG. 1 is a perspective view of the mobile information and entertainment unit;
FIG. 2 is a front elevational view thereof;
FIG. 3 is a rear elevational view thereof;
FIG. 4 is a left side elevational view thereof;
FIG. 5 is a right side elevational view thereof;
FIG. 6 is a top plan view thereof; and,
FIG. 7 is a bottom plan view thereof.

1 Claim, 7 Drawing Sheets



(56)

References Cited

U.S. PATENT DOCUMENTS

7,748,328	B2	7/2010	Horton	2003/0058372	A1	3/2003	Williams et al.
7,864,512	B2	1/2011	Kirschner et al.	2004/0090154	A1	5/2004	Chang
7,911,349	B2	3/2011	Zerhusen et al.	2006/0075550	A1	4/2006	Hanson
8,245,652	B2	8/2012	Hung	2006/0150869	A1	7/2006	Cvek
8,286,977	B2	10/2012	Butler et al.	2008/0169734	A1	7/2008	Bartels
8,596,728	B2	12/2013	Rozestraten	2008/0250985	A1	10/2008	Hall
D720,317	S *	12/2014	Kamp et al.	2008/0255448	A1	10/2008	Zhu et al.
D731,995	S *	6/2015	Kamp et al.	2010/0148458	A1	6/2010	Ross et al.
2001/0034530	A1	10/2001	Malackowski et al.	2012/0260830	A1	10/2012	Luiten
				2014/0001929	A1	1/2014	Remih
				2014/0265752	A1	9/2014	Caine et al.

* cited by examiner

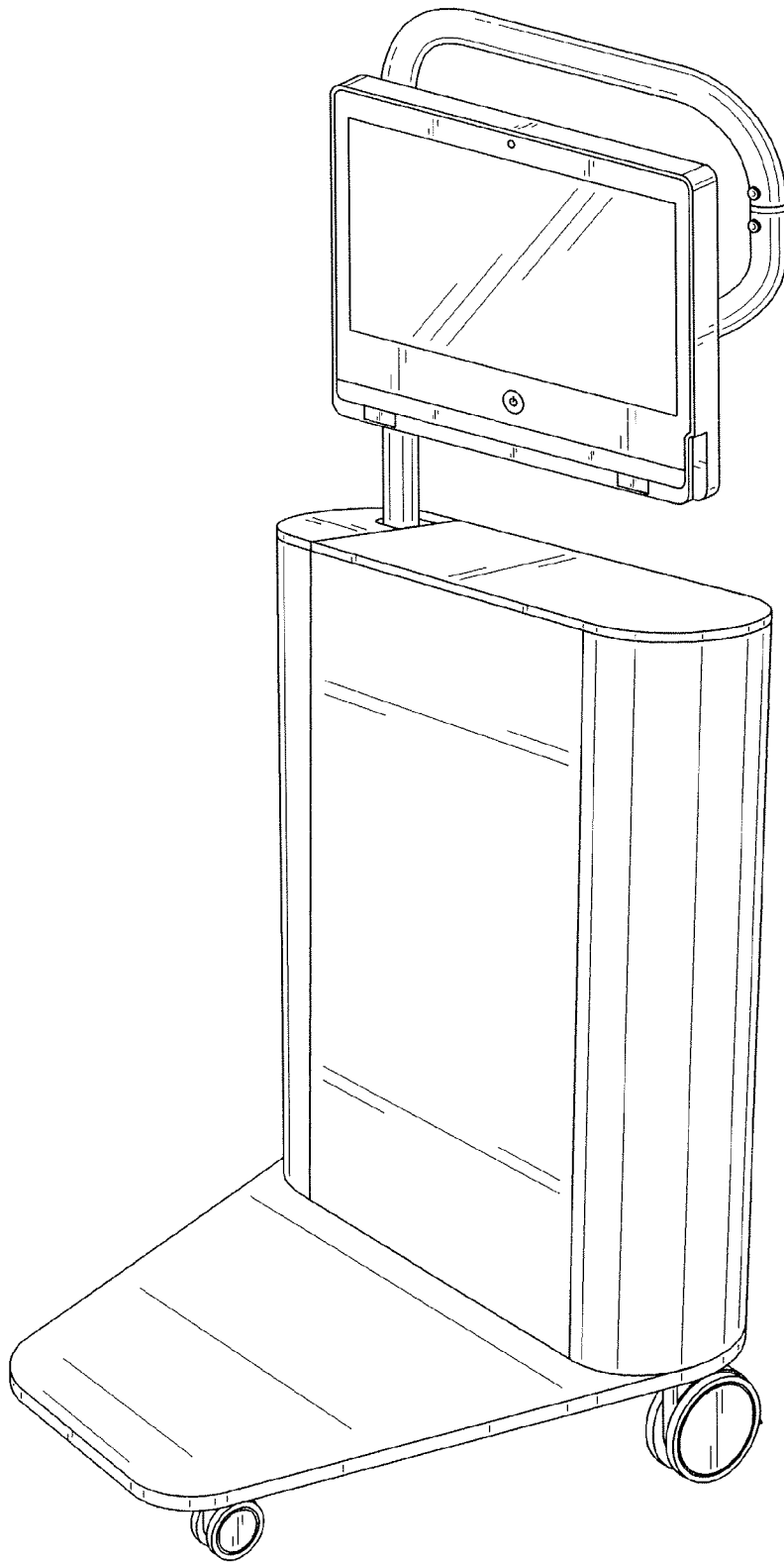


FIG. 1

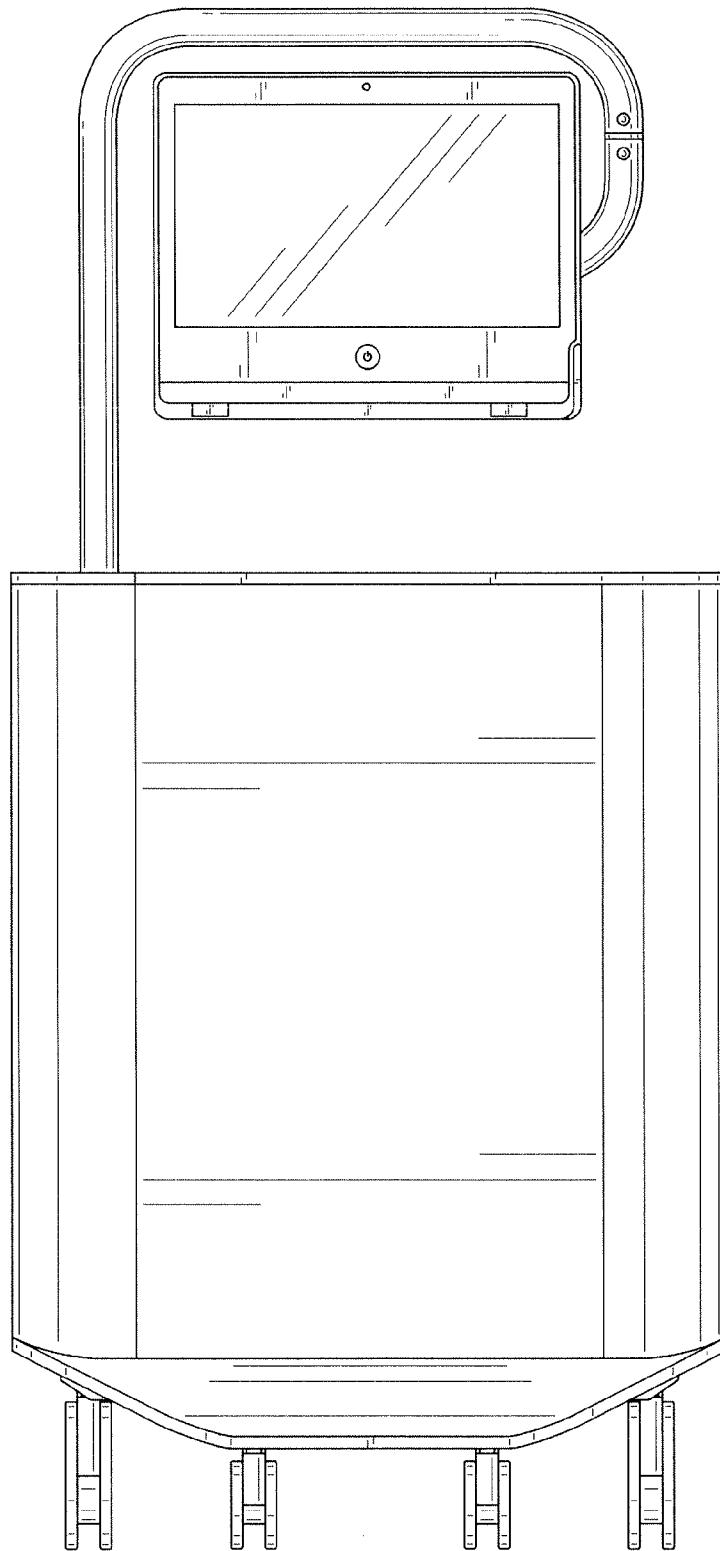


FIG. 2

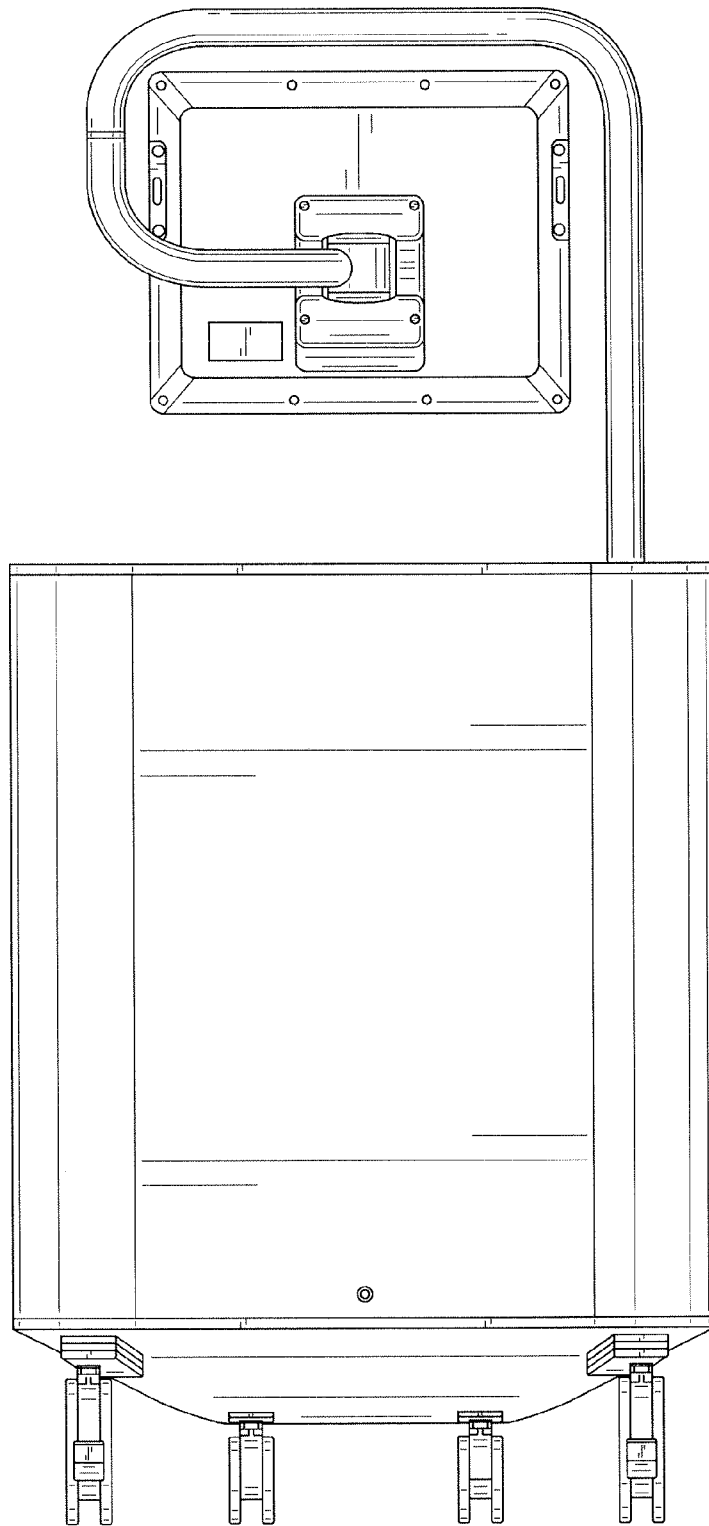


FIG. 3

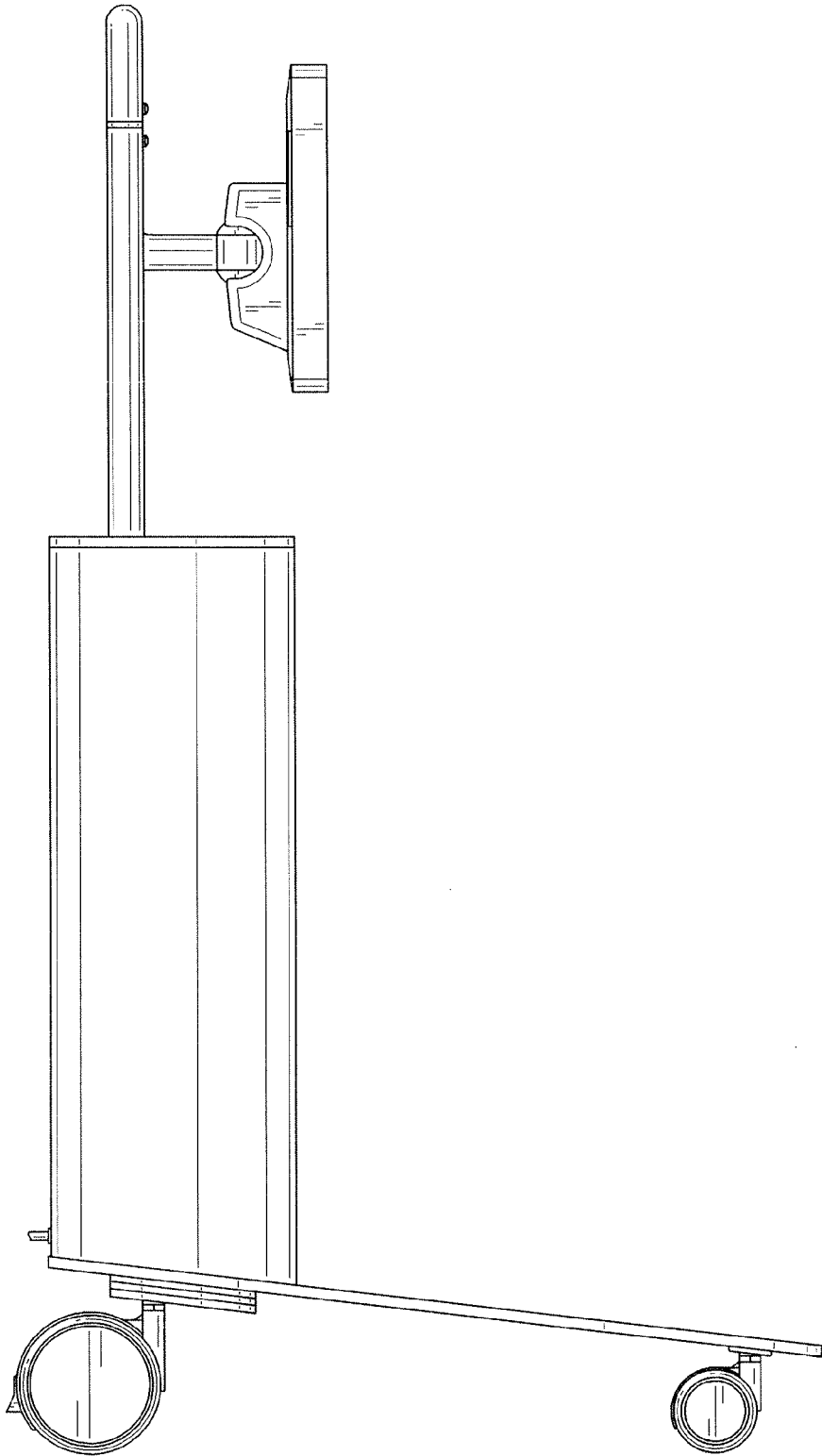


FIG. 4

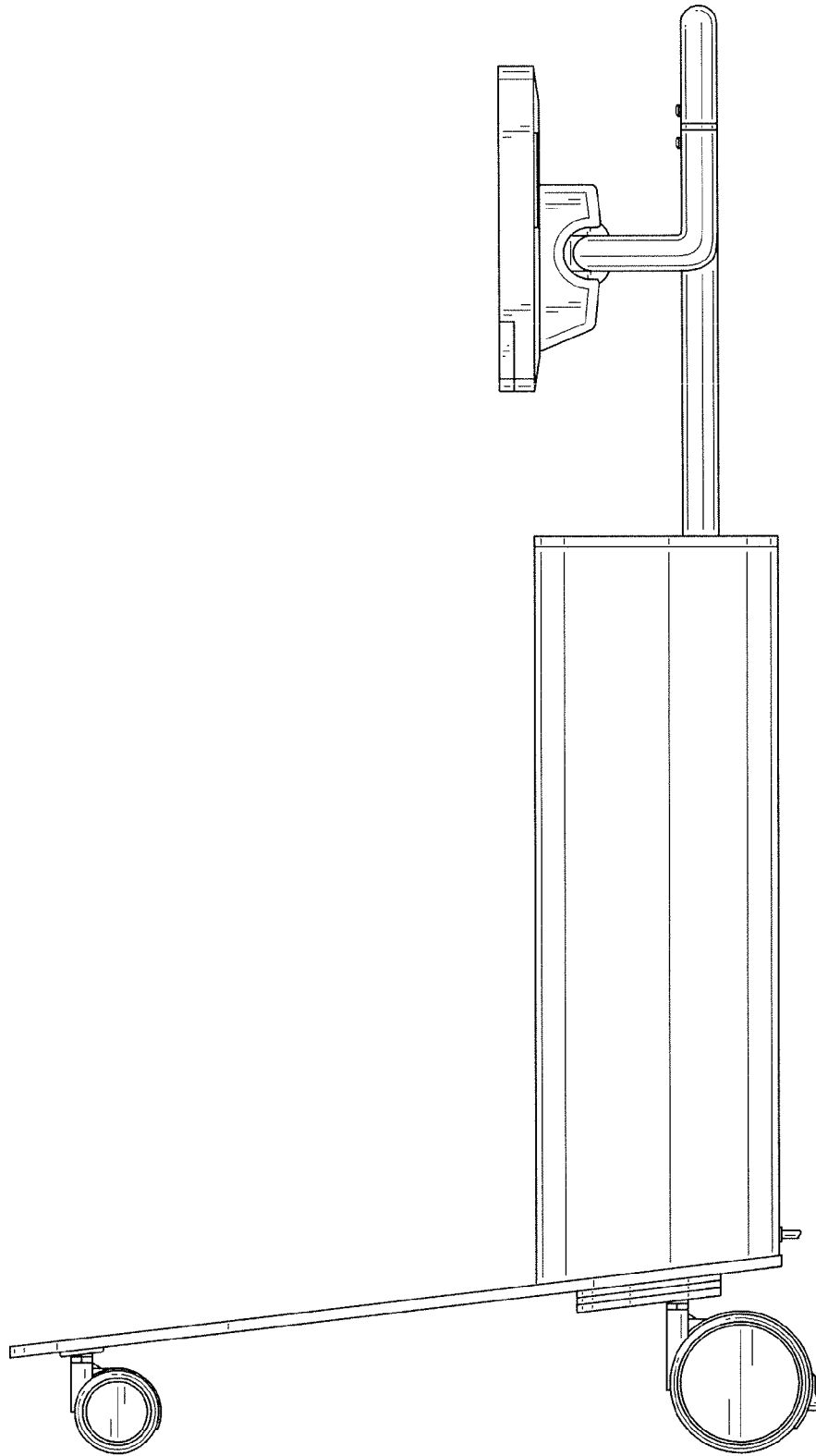


FIG. 5

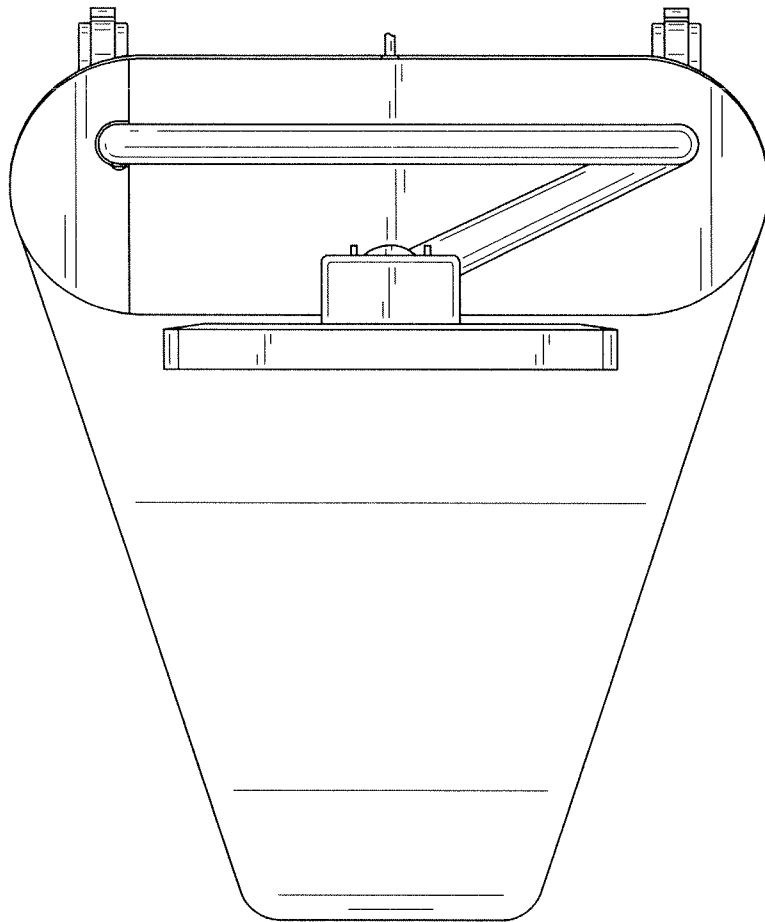


FIG. 6

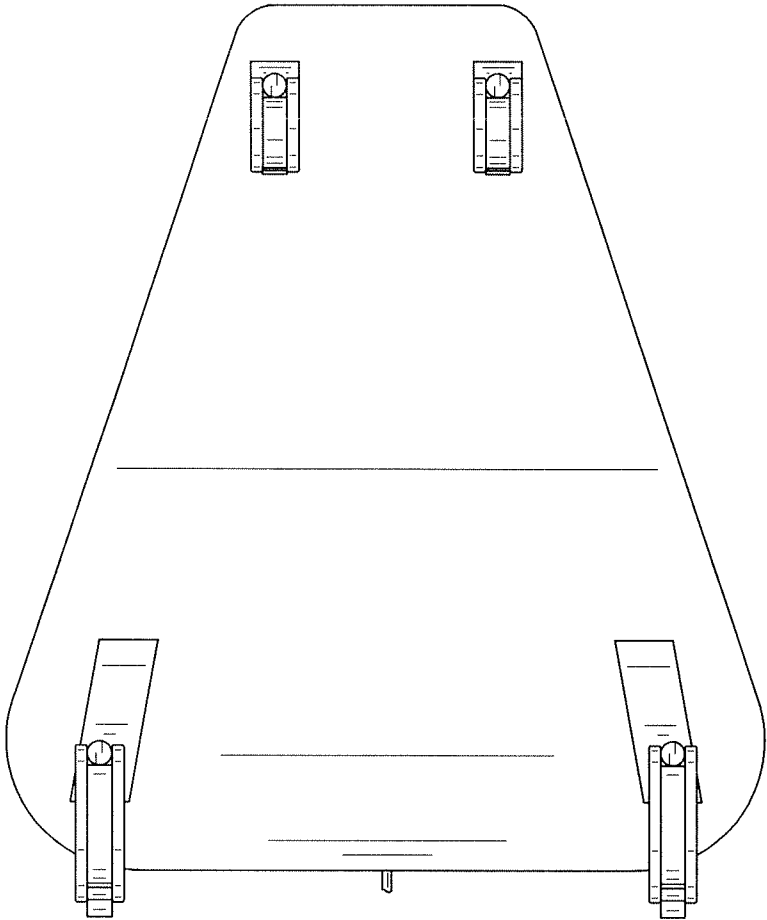


FIG. 7