

[54] LIQUID DISPENSER HOUSING

[76] Inventor: Heiner Ophardt, 3931 Vineyard Cres., Vineland, Ontario, Canada, LOR 1B0

[**] Term: 14 Years

[21] Appl. No.: 327,143

[22] Filed: Mar. 22, 1989

[30] Foreign Application Priority Data

Sep. 24, 1988 [DE] Fed. Rep. of Germany M8801940.3

[52] U.S. Cl. D7/300; D7/589; D6/542

[58] Field of Search D6/542-545; 221/45, 96, 282-286; 222/154, 156, 159, 173, 180-181, 185; D7/300, 589

[56] References Cited

U.S. PATENT DOCUMENTS

D. 198,597 7/1964 Gran D7/300

D. 271,165 11/1983 Lander D6/545
D. 279,063 6/1985 Haskell, III et al. D6/545
D. 282,617 2/1986 Hogan D7/589
D. 298,097 10/1988 Vogel et al. D6/545
D. 298,897 12/1988 Blaich et al. D6/545
D. 311,654 10/1990 Kearnes et al. D6/545
4,513,885 4/1985 Hogan D7/589 X

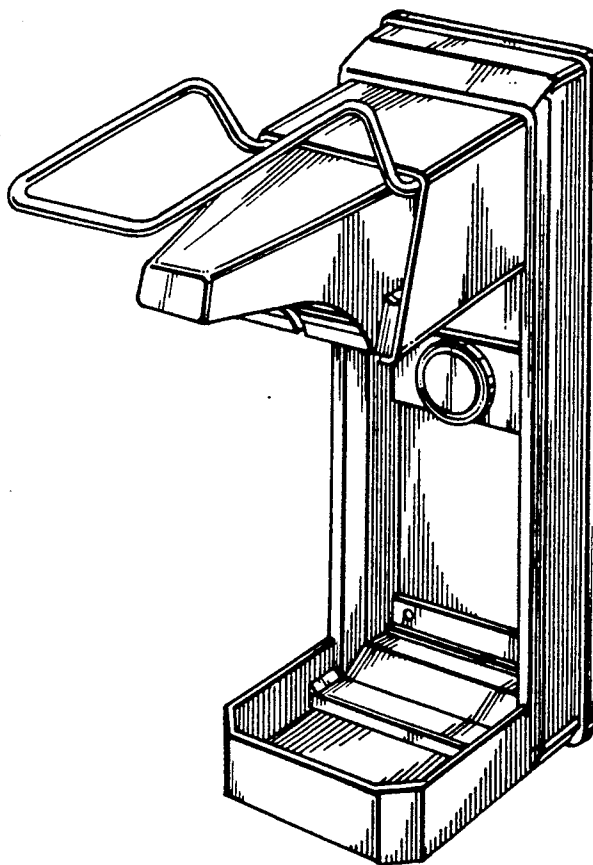
Primary Examiner—Wallace R. Burke
Assistant Examiner—Brian N. Vinson
Attorney, Agent, or Firm—Mitches & Co.

[57] CLAIM

The ornamental housing for a liquid dispenser housing, as shown and described.

DESCRIPTION

FIG. 1 is a perspective view of a liquid dispenser housing showing my new design;
FIG. 2 is a front elevational view thereof;
FIG. 3 is a bottom plan view thereof;
FIG. 4 is a top plan view thereof;
FIG. 5 is a right side elevational view thereof;
FIG. 6 is a left side elevational view thereof; and
FIG. 7 is a rear elevational view thereof.



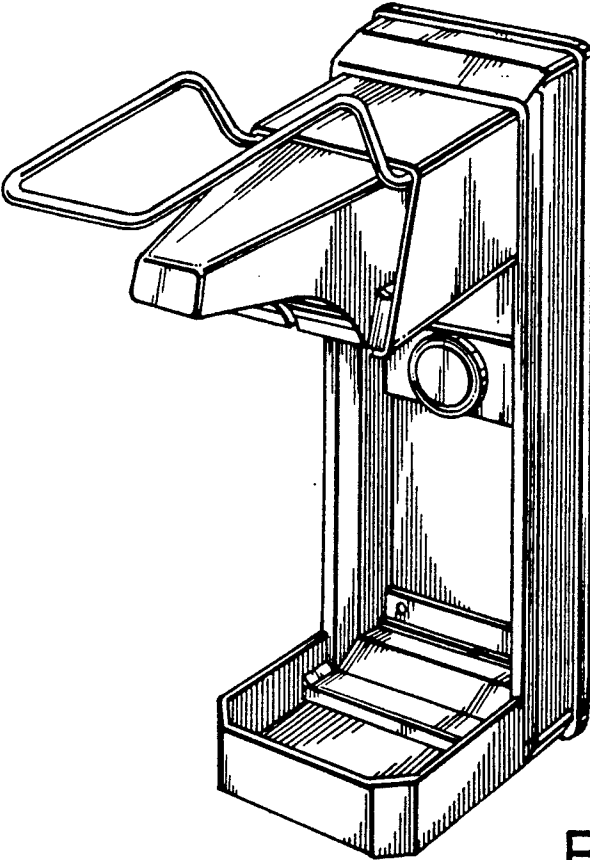


FIG. 1

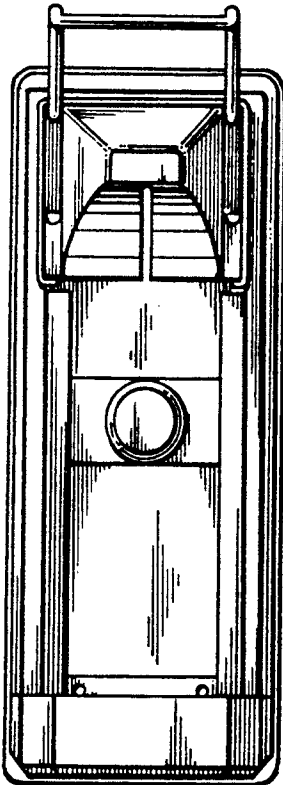


FIG. 2

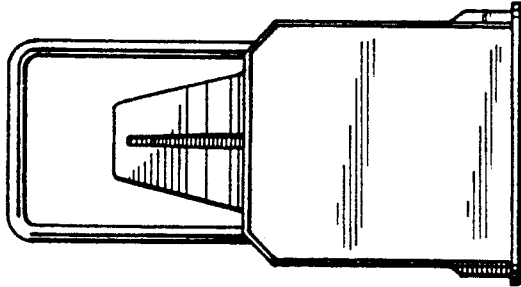


FIG. 3

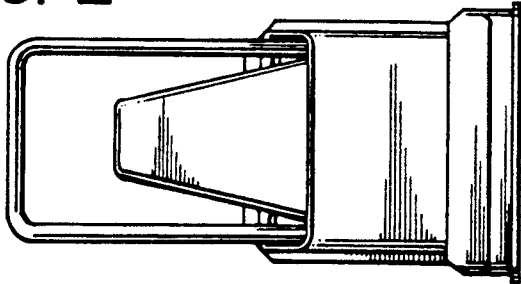


FIG. 4

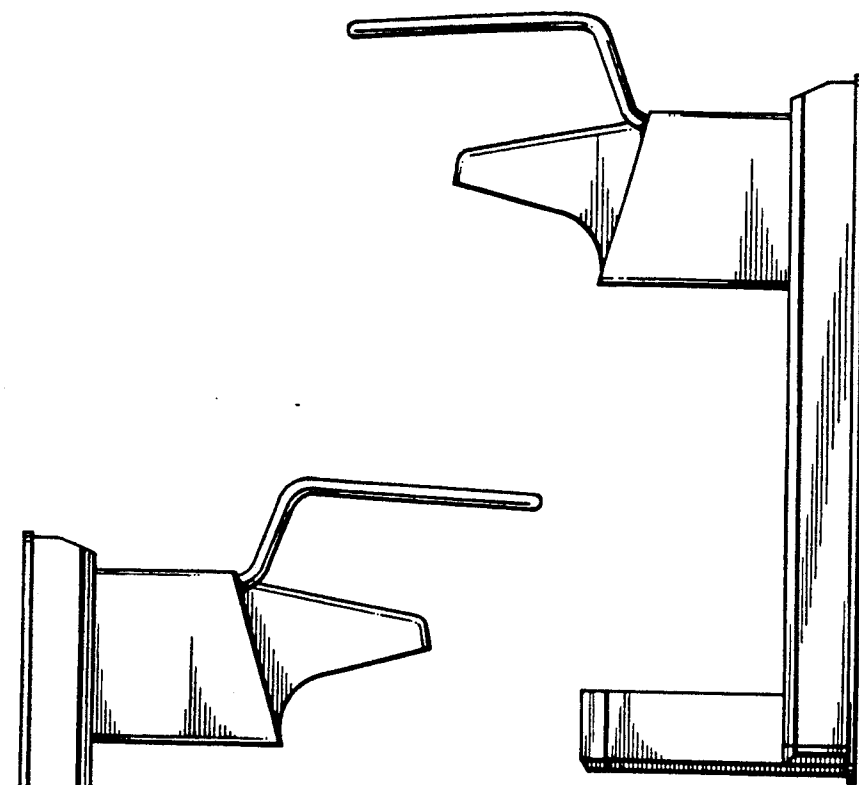


FIG. 5

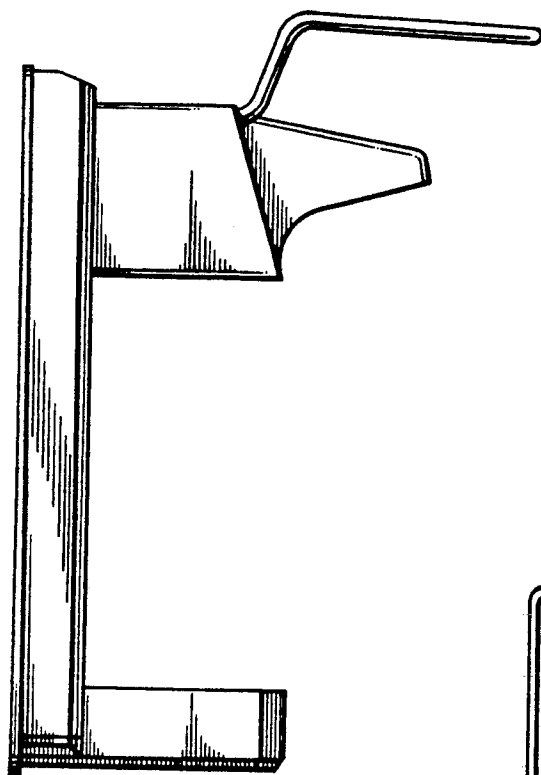


FIG. 6

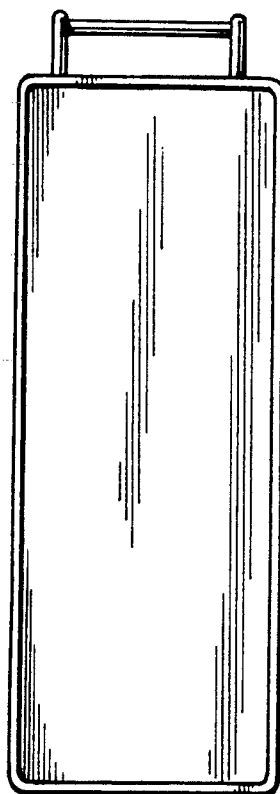


FIG. 7